

 **BOEING**
COMPONENT
MAINTENANCE MANUAL

TO: ALL HOLDERS OF FAN DUCT COWL AND THRUST REVERSER ASSEMBLY COMPONENT
MAINTENANCE MANUAL 78-31-14

REVISION NO. 14 DATED JUL 01/04

HIGHLIGHTS

Pages which have been added or revised are outlined below together with the highlights of the revision. Remove and insert the affected pages as listed and enter Revision No. and date on the Record of Revision Sheet.

CHAPTER/SECTION
AND PAGE NO.

DESCRIPTION OF CHANGE

TITLE PAGE
1

Added Top Assemblies 315T3001, 315T3055, 315T4726,
015T0438.

TR & SB RECORD
1

Incorporated SB 767-78-0043, SB 767-78-0061R4, SB
767-78-0089.

1003-10220,1023-1030G,
10300-1038W,1038Y,
1040A-1042Y,1044A-1048H,
1048K-1048Y,1049-1050L,
10500,1051-1056S
1056T-1076P,1076U-1076Y,
1078C-1080S,1080U,1080W

Edited text without technical change.

101-102
301-305,307
501-504

REPAIR-GEN
601

REPAIR 1-1
602

REPAIR 1-2
602

REPAIR 2-1
602

78-31-14

HIGHLIGHTS

01.1

Page 1

Jul 01/04

 **BOEING**
COMPONENT
MAINTENANCE MANUAL

CHAPTER/SECTION
AND PAGE NO.

DESCRIPTION OF CHANGE

REPAIR 2-2

HIGHLIGHT CONTINUED FROM PREVIOUS PAGE

602

REPAIR 3-1

602

REPAIR 4-1

602

REPAIR 5-1

601-602

REPAIR 6-1

601-602

REPAIR 8-1

602

REPAIR 8-2

602-603

REPAIR 9-1

602-605

701-718

801-802

901

1022Q,1022S,1022V-1022X, Updated IPL illustrations; added IPL Fig. 10.
1022Z,1030H-1030I,1030L,
1030N,1043-1044,1050Q,
1050S,1050U,1050W-1050X,
1050Z,1076R-1076T,1078

78-31-14

HIGHLIGHTS

01.1

Page 2

Jul 01/04

FAN DUCT COWL AND THRUST REVERSER ASSEMBLY (JT9D)(767)

PART NUMBERS 015T0438-27 THRU -54,-69 THRU -78
315T3001-43SP THRU -55SP,-57SP,
-59SP,-61SP,-63SP,-65SP
THRU -68SP,-73SP THRU
-80SP,-82SP,-84SP,-93SP
THRU -108SP,-117SP THRU
-144SP
315T3055-3 THRU -10
315T4726-39 THRU -98,-115 THRU
-138,-143,-144,-147 THRU
-158,-165 THRU -172,-177
THRU -188

COMPONENT MAINTENANCE MANUAL
WITH
ILLUSTRATED PARTS LIST

78-31-14

TITLE PAGE

01.1

Page 1

Jul 01/04

015T0438
315T3001
315T4726
315T3055



REVISION RECORD

- Retain this record in front of manual. On receipt of revision, insert revised pages in the manual, and enter revision number, date inserted and initial.

REVISION NUMBER	REVISION DATE	DATE FILED	BY	REVISION NUMBER	REVISION DATE	DATE FILED	BY

78-31-14

REVISION RECORD

01.1

Page 1

Jul 01/04

169467

015T0438
 315T3001
 315T4726
 315T3055



TEMPORARY REVISION AND SERVICE BULLETIN RECORD

BOEING SERVICE BULLETIN	BOEING TEMPORARY REVISION	OTHER DIRECTIVE	DATE OF INCORPORATION INTO MANUAL
767-78-8		PRR C12029	JUL 10/85
767-78-12		PRR B11264	JAN 10/86
		PRR B11315	JAN 10/86
		PRR B11117	JUL 10/85
		PRR B11287	OCT 01/90
		PRR B11380	JAN 10/86
		PRR C12203	JAN 10/86
767-11-8			JAN 10/86
		PRR B11403	JAN 10/86
767-71-A25		PRR B41018	JAN 10/86
767-54-18		PRR B11539	OCT 01/90
		PRR B11572	APR 10/87
		PRR B11639	OCT 01/87
767-78-30		PRR B11738	OCT 01/90
		PRR B11948	OCT 01/90
767-54-27			OCT 01/90
		PRR C12339	OCT 01/90
		PRR B11480-65	OCT 01/90
			OCT 01/90
767-71A25,R1			SEP 01/95
767-78-0054R2		PRR B12477R	SEP 01/95
767-78-0061R2		PRR B12477R	SEP 01/95
767-78-0068R3		MC 7110MK6004	JUL 01/04
767-78-0043		PRR B12477R	JUL 01/04
767-78-0061R4		MRR 67801-0065	JUL 01/04
767-78A0089			

78-31-14

TR & SB RECORD

01.1

Page 1

Jul 01/04

015T0438
 315T3001
 315T4726
 315T3055

 **BOEING**
 COMPONENT
 MAINTENANCE MANUAL

PAGE	DATE	CODE	PAGE	DATE	CODE
78-31-14			DISASSEMBLY		CONT.
TITLE PAGE			*306	JUL 01/04	01.1
*1	JUL 01/04	01.1	*307	JUL 01/04	01.1
2	BLANK		*308	JUL 01/04	01.1
REVISION RECORD			CHECK		
*1	JUL 01/04	01.1	*501	JUL 01/04	01.1
2	BLANK		*502	JUL 01/04	01.1
TR & SB RECORD			*503	JUL 01/04	01.1
*1	JUL 01/04	01.1	*504	JUL 01/04	01.1
2	BLANK		REPAIR-GENERAL		
LIST OF EFFECTIVE PAGES			*601	JUL 01/04	01.1
*1	JUL 01/04	01	*602	JUL 01/04	01.1
THRU LAST PAGE			*603	JUL 01/04	01.1
CONTENTS			604	BLANK	
*1	JUL 01/04	01.1	REPAIR 1-1		
2	BLANK		*601	JUL 01/04	01.1
INTRODUCTION			*602	JUL 01/04	01.1
*1	JUL 01/04	01.1	REPAIR 1-2		
2	BLANK		*601	JUL 01/04	01.1
DESCRIPTION & OPERATION			*602	JUL 01/04	01.1
*1	JUL 01/04	01.1	REPAIR 2-1		
2	BLANK		*601	JUL 01/04	01.1
TESTING & TROUBLE SHOOTING			*602	JUL 01/04	01.1
*101	JUL 01/04	01.1	REPAIR 2-2		
*102	JUL 01/04	01.1	*601	JUL 01/04	01.1
*103	JUL 01/04	01.1	*602	JUL 01/04	01.1
*104	JUL 01/04	01.1	REPAIR 3-1		
DISASSEMBLY			*601	JUL 01/04	01.1
*301	JUL 01/04	01.1	*602	JUL 01/04	01.1
*302	JUL 01/04	01.1	REPAIR 4-1		
*303	JUL 01/04	01.1	*601	JUL 01/04	01.1
*304	JUL 01/04	01.1	*602	JUL 01/04	01.1
*305	JUL 01/04	01.1			

* = REVISED, ADDED OR DELETED

78-31-14

EFFECTIVE PAGES
 CONTINUED Page 1
 01 Jul 01/04

PAGE	DATE	CODE	PAGE	DATE	CODE
REPAIR 5-1			ASSEMBLY		CONT.
*601	JUL 01/04	01.1	*709	JUL 01/04	01.1
*602	JUL 01/04	01.1	*710	JUL 01/04	01.1
REPAIR 6-1			*711	JUL 01/04	01.1
*601	JUL 01/04	01.1	*712	JUL 01/04	01.1
*602	JUL 01/04	01.1	*713	JUL 01/04	01.1
REPAIR 6-2			*714	JUL 01/04	01.1
*601	JUL 01/04	01.1	*715	JUL 01/04	01.1
*602	JUL 01/04	01.1	*716	JUL 01/04	01.1
REPAIR 7-1			*717	JUL 01/04	01.1
*601	JUL 01/04	01.1	*718	JUL 01/04	01.1
602	BLANK		FITS AND CLEARANCES		
REPAIR 8-1			*801	JUL 01/04	01.1
*601	JUL 01/04	01.1	*802	JUL 01/04	01.1
*602	JUL 01/04	01.1	*803	JUL 01/04	01.1
REPAIR 8-2			804	BLANK	
*601	JUL 01/04	01.1	SPECIAL TOOLS		
*602	JUL 01/04	01.1	*901	JUL 01/04	01.1
*603	JUL 01/04	01.1	902	BLANK	
604	BLANK		ILLUSTRATED PARTS LIST		
REPAIR 9-1			*1001	JUL 01/04	01.1
*601	JUL 01/04	01.1	*1002	JUL 01/04	01.1
*602	JUL 01/04	01.1	*1003	JUL 01/04	01.1
*603	JUL 01/04	01.1	*1004	JUL 01/04	01.1
*604	JUL 01/04	01.1	*1005	JUL 01/04	01.1
*605	JUL 01/04	01.1	*1006	JUL 01/04	01.1
*606	BLANK		*1007	JUL 01/04	01.1
ASSEMBLY			*1008	JUL 01/04	01.1
*701	JUL 01/04	01.1	*1009	JUL 01/04	01.1
*702	JUL 01/04	01.1	*1010	JUL 01/04	01.1
*703	JUL 01/04	01.1	*1011	JUL 01/04	01.1
*704	JUL 01/04	01.1	*1012	JUL 01/04	01.1
*705	JUL 01/04	01.1	*1013	JUL 01/04	01.1
*706	JUL 01/04	01.1	*1014	JUL 01/04	01.1
*707	JUL 01/04	01.1	*1015	JUL 01/04	01.1
*708	JUL 01/04	01.1	*1016	JUL 01/04	01.1
			*1017	JUL 01/04	01.1
			*1018	JUL 01/04	01.1
			*1019	JUL 01/04	01.1
			*1020	JUL 01/04	01.1

* = REVISED, ADDED OR DELETED

78-31-14

EFFECTIVE PAGES
CONTINUED Page 2
01 Jul 01/04

015T0438
 315T3001
 315T4726
 315T3055



BOEING
 COMPONENT
 MAINTENANCE MANUAL

PAGE	DATE	CODE	PAGE	DATE	CODE
ILLUSTRATED PARTS LIST		CONT.	ILLUSTRATED PARTS LIST		CONT.
*1020A	JUL 01/04	01.1	*10220	JUL 01/04	01.1
*1020B	JUL 01/04	01.1	*1022P	BLANK	
*1020C	JUL 01/04	01.1	*1022Q	JUL 01/04	01.1
*1020D	JUL 01/04	01.1	*1022R	JUL 01/04	01.1
*1020E	JUL 01/04	01.1	*1022S	JUL 01/04	01.1
*1020F	JUL 01/04	01.1	*1022T	JUL 01/04	01.1
*1020G	JUL 01/04	01.1	*1022U	JUL 01/04	01.1
*1020H	JUL 01/04	01.1	*1022V	JUL 01/04	01.1
*1020I	JUL 01/04	01.1	*1022W	JUL 01/04	01.1
*1020J	JUL 01/04	01.1	*1022X	JUL 01/04	01.1
*1020K	JUL 01/04	01.1	*1022Y	JUL 01/04	01.1
*1020L	JUL 01/04	01.1	*1022Z	JUL 01/04	01.1
*1020M	JUL 01/04	01.1	*1023	JUL 01/04	01.1
*1020N	JUL 01/04	01.1	*1024	JUL 01/04	01.1
*1020O	JUL 01/04	01.1	*1024A	JUL 01/04	01.1
*1020P	JUL 01/04	01.1	*1024B	JUL 01/04	01.1
*1020Q	JUL 01/04	01.1	*1024C	JUL 01/04	01.1
*1020R	JUL 01/04	01.1	*1024D	JUL 01/04	01.1
*1020S	JUL 01/04	01.1	*1024E	JUL 01/04	01.1
*1020T	JUL 01/04	01.1	*1024F	JUL 01/04	01.1
*1020U	JUL 01/04	01.1	*1024G	JUL 01/04	01.1
*1020V	JUL 01/04	01.1	*1024H	JUL 01/04	01.1
*1020W	JUL 01/04	01.1	*1024I	JUL 01/04	01.1
*1020X	JUL 01/04	01.1	*1024J	JUL 01/04	01.1
*1020Y	JUL 01/04	01.1	*1024K	JUL 01/04	01.1
*1020Z	JUL 01/04	01.1	*1024L	JUL 01/04	01.1
*1021	JUL 01/04	01.1	*1024M	JUL 01/04	01.1
*1022	JUL 01/04	01.1	*1024N	JUL 01/04	01.1
*1022A	JUL 01/04	01.1	*1024O	JUL 01/04	01.1
*1022B	JUL 01/04	01.1	*1024P	JUL 01/04	01.1
*1022C	JUL 01/04	01.1	*1024Q	JUL 01/04	01.1
*1022D	JUL 01/04	01.1	*1024R	JUL 01/04	01.1
*1022E	JUL 01/04	01.1	*1024S	JUL 01/04	01.1
*1022F	JUL 01/04	01.1	*1024T	JUL 01/04	01.1
*1022G	JUL 01/04	01.1	*1024U	JUL 01/04	01.1
*1022H	JUL 01/04	01.1	*1024V	JUL 01/04	01.1
*1022I	JUL 01/04	01.1	*1024W	JUL 01/04	01.1
*1022J	JUL 01/04	01.1	*1024X	JUL 01/04	01.1
*1022K	JUL 01/04	01.1	*1024Y	JUL 01/04	01.1
*1022L	JUL 01/04	01.1	*1024Z	JUL 01/04	01.1
*1022M	JUL 01/04	01.1	*1025	JUL 01/04	01.1
*1022N	JUL 01/04	01.1	*1026	JUL 01/04	01.1

* = REVISED, ADDED OR DELETED

78-31-14

EFFECTIVE PAGES
 CONTINUED Page 3
 01 Jul 01/04

PAGE	DATE	CODE	PAGE	DATE	CODE
ILLUSTRATED PARTS LIST		CONT.	ILLUSTRATED PARTS LIST		CONT.
*1026A	JUL 01/04	01.1	*10280	JUL 01/04	01.1
*1026B	JUL 01/04	01.1	*1028P	JUL 01/04	01.1
*1026C	JUL 01/04	01.1	*1028Q	JUL 01/04	01.1
*1026D	JUL 01/04	01.1	*1028R	JUL 01/04	01.1
*1026E	JUL 01/04	01.1	*1028S	JUL 01/04	01.1
*1026F	JUL 01/04	01.1	*1028T	JUL 01/04	01.1
*1026G	JUL 01/04	01.1	*1028U	JUL 01/04	01.1
*1026H	JUL 01/04	01.1	*1028V	JUL 01/04	01.1
*1026I	JUL 01/04	01.1	*1028W	JUL 01/04	01.1
*1026J	JUL 01/04	01.1	*1028X	JUL 01/04	01.1
*1026K	JUL 01/04	01.1	*1028Y	JUL 01/04	01.1
*1026L	JUL 01/04	01.1	*1028Z	JUL 01/04	01.1
*1026M	JUL 01/04	01.1	*1029	JUL 01/04	01.1
*1026N	JUL 01/04	01.1	*1030	JUL 01/04	01.1
*1026O	JUL 01/04	01.1	*1030A	JUL 01/04	01.1
*1026P	JUL 01/04	01.1	*1030B	JUL 01/04	01.1
*1026Q	JUL 01/04	01.1	*1030C	JUL 01/04	01.1
*1026R	JUL 01/04	01.1	*1030D	JUL 01/04	01.1
*1026S	JUL 01/04	01.1	*1030E	JUL 01/04	01.1
*1026T	JUL 01/04	01.1	*1030F	JUL 01/04	01.1
*1026U	JUL 01/04	01.1	*1030G	JUL 01/04	01.1
*1026V	JUL 01/04	01.1	*1030H	JUL 01/04	01.1
*1026W	JUL 01/04	01.1	*1030I	JUL 01/04	01.1
*1026X	JUL 01/04	01.1	*1030J	JUL 01/04	01.1
*1026Y	JUL 01/04	01.1	*1030K	JUL 01/04	01.1
*1026Z	JUL 01/04	01.1	*1030L	JUL 01/04	01.1
*1027	JUL 01/04	01.1	*1030M	JUL 01/04	01.1
*1028	JUL 01/04	01.1	*1030N	JUL 01/04	01.1
*1028A	JUL 01/04	01.1	*1030O	JUL 01/04	01.1
*1028B	JUL 01/04	01.1	*1030P	JUL 01/04	01.1
*1028C	JUL 01/04	01.1	*1030Q	JUL 01/04	01.1
*1028D	JUL 01/04	01.1	*1030R	JUL 01/04	01.1
*1028E	JUL 01/04	01.1	*1030S	JUL 01/04	01.1
*1028F	JUL 01/04	01.1	*1030T	JUL 01/04	01.1
*1028G	JUL 01/04	01.1	*1030U	JUL 01/04	01.1
*1028H	JUL 01/04	01.1	*1030V	JUL 01/04	01.1
*1028I	JUL 01/04	01.1	*1030W	JUL 01/04	01.1
*1028J	JUL 01/04	01.1	*1030X	JUL 01/04	01.1
*1028K	JUL 01/04	01.1	*1030Y	JUL 01/04	01.1
*1028L	JUL 01/04	01.1	*1030Z	JUL 01/04	01.1
*1028M	JUL 01/04	01.1	*1031	JUL 01/04	01.1
*1028N	JUL 01/04	01.1	*1032	JUL 01/04	01.1

* = REVISED, ADDED OR DELETED

78-31-14

EFFECTIVE PAGES
 CONTINUED Page 4
 01 Jul 01/04

PAGE	DATE	CODE		PAGE	DATE	CODE	
ILLUSTRATED	PARTS LIST		CONT.	ILLUSTRATED	PARTS LIST		CONT.
*1032A	JUL 01/04	01.1		*10340	JUL 01/04	01.1	
*1032B	JUL 01/04	01.1		*1034P	JUL 01/04	01.1	
*1032C	JUL 01/04	01.1		*1034Q	JUL 01/04	01.1	
*1032D	JUL 01/04	01.1		*1034R	JUL 01/04	01.1	
*1032E	JUL 01/04	01.1		*1034S	JUL 01/04	01.1	
*1032F	JUL 01/04	01.1		*1034T	JUL 01/04	01.1	
*1032G	JUL 01/04	01.1		*1034U	JUL 01/04	01.1	
*1032H	JUL 01/04	01.1		*1034V	JUL 01/04	01.1	
*1032I	JUL 01/04	01.1		*1034W	JUL 01/04	01.1	
*1032J	JUL 01/04	01.1		*1034X	JUL 01/04	01.1	
*1032K	JUL 01/04	01.1		*1034Y	JUL 01/04	01.1	
*1032L	JUL 01/04	01.1		*1034Z	JUL 01/04	01.1	
*1032M	JUL 01/04	01.1		*1035	JUL 01/04	01.1	
*1032N	JUL 01/04	01.1		*1036	JUL 01/04	01.1	
*1032O	JUL 01/04	01.1		*1036A	JUL 01/04	01.1	
*1032P	JUL 01/04	01.1		*1036B	JUL 01/04	01.1	
*1032Q	JUL 01/04	01.1		*1036C	JUL 01/04	01.1	
*1032R	JUL 01/04	01.1		*1036D	JUL 01/04	01.1	
*1032S	JUL 01/04	01.1		*1036E	JUL 01/04	01.1	
*1032T	JUL 01/04	01.1		*1036F	JUL 01/04	01.1	
*1032U	JUL 01/04	01.1		*1036G	JUL 01/04	01.1	
*1032V	JUL 01/04	01.1		*1036H	JUL 01/04	01.1	
*1032W	JUL 01/04	01.1		*1036I	JUL 01/04	01.1	
*1032X	JUL 01/04	01.1		*1036J	JUL 01/04	01.1	
*1032Y	JUL 01/04	01.1		*1036K	JUL 01/04	01.1	
*1032Z	JUL 01/04	01.1		*1036L	JUL 01/04	01.1	
*1033	JUL 01/04	01.1		*1036M	JUL 01/04	01.1	
*1034	JUL 01/04	01.1		*1036N	JUL 01/04	01.1	
*1034A	JUL 01/04	01.1		*1036O	JUL 01/04	01.1	
*1034B	JUL 01/04	01.1		*1036P	JUL 01/04	01.1	
*1034C	JUL 01/04	01.1		*1036Q	JUL 01/04	01.1	
*1034D	JUL 01/04	01.1		*1036R	JUL 01/04	01.1	
*1034E	JUL 01/04	01.1		*1036S	JUL 01/04	01.1	
*1034F	JUL 01/04	01.1		*1036T	JUL 01/04	01.1	
*1034G	JUL 01/04	01.1		*1036U	JUL 01/04	01.1	
*1034H	JUL 01/04	01.1		*1036V	JUL 01/04	01.1	
*1034I	JUL 01/04	01.1		*1036W	JUL 01/04	01.1	
*1034J	JUL 01/04	01.1		*1036X	JUL 01/04	01.1	
*1034K	JUL 01/04	01.1		*1036Y	JUL 01/04	01.1	
*1034L	JUL 01/04	01.1		*1036Z	JUL 01/04	01.1	
*1034M	JUL 01/04	01.1		*1037	JUL 01/04	01.1	
*1034N	JUL 01/04	01.1		*1038	JUL 01/04	01.1	

* = REVISED, ADDED OR DELETED

78-31-14

EFFECTIVE PAGES
 CONTINUED Page 5
 01 Jul 01/04

PAGE	DATE	CODE	PAGE	DATE	CODE
ILLUSTRATED	PARTS LIST	CONT.	ILLUSTRATED	PARTS LIST	CONT.
*1038A	JUL 01/04	01.1	*10400	JUL 01/04	01.1
*1038B	JUL 01/04	01.1	*1040P	JUL 01/04	01.1
*1038C	JUL 01/04	01.1	*1040Q	JUL 01/04	01.1
*1038D	JUL 01/04	01.1	*1040R	JUL 01/04	01.1
*1038E	JUL 01/04	01.1	*1040S	JUL 01/04	01.1
*1038F	JUL 01/04	01.1	*1040T	JUL 01/04	01.1
*1038G	JUL 01/04	01.1	*1040U	JUL 01/04	01.1
*1038H	JUL 01/04	01.1	*1040V	JUL 01/04	01.1
*1038I	JUL 01/04	01.1	*1040W	JUL 01/04	01.1
*1038J	JUL 01/04	01.1	*1040X	JUL 01/04	01.1
*1038K	JUL 01/04	01.1	*1040Y	JUL 01/04	01.1
*1038L	JUL 01/04	01.1	*1040Z	JUL 01/04	01.1
*1038M	JUL 01/04	01.1	*1041	JUL 01/04	01.1
*1038N	JUL 01/04	01.1	*1042	JUL 01/04	01.1
*1038O	JUL 01/04	01.1	*1042A	JUL 01/04	01.1
*1038P	JUL 01/04	01.1	*1042B	JUL 01/04	01.1
*1038Q	JUL 01/04	01.1	*1042C	JUL 01/04	01.1
*1038R	JUL 01/04	01.1	*1042D	JUL 01/04	01.1
*1038S	JUL 01/04	01.1	*1042E	JUL 01/04	01.1
*1038T	JUL 01/04	01.1	*1042F	JUL 01/04	01.1
*1038U	JUL 01/04	01.1	*1042G	JUL 01/04	01.1
*1038V	JUL 01/04	01.1	*1042H	JUL 01/04	01.1
*1038W	JUL 01/04	01.1	*1042I	JUL 01/04	01.1
*1038X	JUL 01/04	01.1	*1042J	JUL 01/04	01.1
*1038Y	JUL 01/04	01.1	*1042K	JUL 01/04	01.1
*1038Z	BLANK		*1042L	JUL 01/04	01.1
*1039	JUL 01/04	01.1	*1042M	JUL 01/04	01.1
*1040	JUL 01/04	01.1	*1042N	JUL 01/04	01.1
*1040A	JUL 01/04	01.1	*1042O	JUL 01/04	01.1
*1040B	JUL 01/04	01.1	*1042P	JUL 01/04	01.1
*1040C	JUL 01/04	01.1	*1042Q	JUL 01/04	01.1
*1040D	JUL 01/04	01.1	*1042R	JUL 01/04	01.1
*1040E	JUL 01/04	01.1	*1042S	JUL 01/04	01.1
*1040F	JUL 01/04	01.1	*1042T	JUL 01/04	01.1
*1040G	JUL 01/04	01.1	*1042U	JUL 01/04	01.1
*1040H	JUL 01/04	01.1	*1042V	JUL 01/04	01.1
*1040I	JUL 01/04	01.1	*1042W	JUL 01/04	01.1
*1040J	JUL 01/04	01.1	*1042X	JUL 01/04	01.1
*1040K	JUL 01/04	01.1	*1042Y	JUL 01/04	01.1
*1040L	JUL 01/04	01.1	*1042Z	JUL 01/04	01.1
*1040M	JUL 01/04	01.1	*1043	JUL 01/04	01.1
*1040N	JUL 01/04	01.1	*1044	JUL 01/04	01.1

* = REVISED, ADDED OR DELETED

78-31-14

EFFECTIVE PAGES
 CONTINUED Page 6
 01 Jul 01/04

015T0438
 315T3001
 315T4726
 315T3055

 **BOEING**
 COMPONENT
 MAINTENANCE MANUAL

PAGE	DATE	CODE	PAGE	DATE	CODE
ILLUSTRATED PARTS LIST		CONT.	ILLUSTRATED PARTS LIST		CONT.
*1044A	JUL 01/04	01.1	*10460	JUL 01/04	01.1
*1044B	JUL 01/04	01.1	*1046P	JUL 01/04	01.1
*1044C	JUL 01/04	01.1	*1046Q	JUL 01/04	01.1
*1044D	JUL 01/04	01.1	*1046R	JUL 01/04	01.1
*1044E	JUL 01/04	01.1	*1046S	JUL 01/04	01.1
*1044F	JUL 01/04	01.1	*1046T	JUL 01/04	01.1
*1044G	JUL 01/04	01.1	*1046U	JUL 01/04	01.1
*1044H	JUL 01/04	01.1	*1046V	JUL 01/04	01.1
*1044I	JUL 01/04	01.1	*1046W	JUL 01/04	01.1
*1044J	JUL 01/04	01.1	*1046X	JUL 01/04	01.1
*1044K	JUL 01/04	01.1	*1046Y	JUL 01/04	01.1
*1044L	JUL 01/04	01.1	*1046Z	JUL 01/04	01.1
*1044M	JUL 01/04	01.1	*1047	JUL 01/04	01.1
*1044N	JUL 01/04	01.1	*1048	JUL 01/04	01.1
*10440	JUL 01/04	01.1	*1048A	JUL 01/04	01.1
*1044P	JUL 01/04	01.1	*1048B	JUL 01/04	01.1
*1044Q	JUL 01/04	01.1	*1048C	JUL 01/04	01.1
*1044R	JUL 01/04	01.1	*1048D	JUL 01/04	01.1
*1044S	JUL 01/04	01.1	*1048E	JUL 01/04	01.1
*1044T	JUL 01/04	01.1	*1048F	JUL 01/04	01.1
*1044U	JUL 01/04	01.1	*1048G	JUL 01/04	01.1
*1044V	JUL 01/04	01.1	*1048H	JUL 01/04	01.1
*1044W	JUL 01/04	01.1	*1048I	BLANK	
*1044X	JUL 01/04	01.1	*1048J	JUL 01/04	01.1
*1044Y	JUL 01/04	01.1	*1048K	JUL 01/04	01.1
*1044Z	JUL 01/04	01.1	*1048L	JUL 01/04	01.1
*1045	JUL 01/04	01.1	*1048M	JUL 01/04	01.1
*1046	JUL 01/04	01.1	*1048N	JUL 01/04	01.1
*1046A	JUL 01/04	01.1	*10480	JUL 01/04	01.1
*1046B	JUL 01/04	01.1	*1048P	JUL 01/04	01.1
*1046C	JUL 01/04	01.1	*1048Q	JUL 01/04	01.1
*1046D	JUL 01/04	01.1	*1048R	JUL 01/04	01.1
*1046E	JUL 01/04	01.1	*1048S	JUL 01/04	01.1
*1046F	JUL 01/04	01.1	*1048T	JUL 01/04	01.1
*1046G	JUL 01/04	01.1	*1048U	JUL 01/04	01.1
*1046H	JUL 01/04	01.1	*1048V	JUL 01/04	01.1
*1046I	JUL 01/04	01.1	*1048W	JUL 01/04	01.1
*1046J	JUL 01/04	01.1	*1048X	JUL 01/04	01.1
*1046K	JUL 01/04	01.1	*1048Y	JUL 01/04	01.1
*1046L	JUL 01/04	01.1	*1048Z	JUL 01/04	01.1
*1046M	JUL 01/04	01.1	*1049	JUL 01/04	01.1
*1046N	JUL 01/04	01.1	*1050	JUL 01/04	01.1

* = REVISED, ADDED OR DELETED

78-31-14

EFFECTIVE PAGES
 CONTINUED Page 7
 01 Jul 01/04

PAGE	DATE	CODE	PAGE	DATE	CODE
ILLUSTRATED PARTS LIST		CONT.	ILLUSTRATED PARTS LIST		CONT.
*1050A	JUL 01/04	01.1	*10520	JUL 01/04	01.1
*1050B	JUL 01/04	01.1	*1052P	JUL 01/04	01.1
*1050C	JUL 01/04	01.1	*1052Q	JUL 01/04	01.1
*1050D	JUL 01/04	01.1	*1052R	JUL 01/04	01.1
*1050E	JUL 01/04	01.1	*1052S	JUL 01/04	01.1
*1050F	JUL 01/04	01.1	*1052T	JUL 01/04	01.1
*1050G	JUL 01/04	01.1	*1052U	JUL 01/04	01.1
*1050H	JUL 01/04	01.1	*1052V	JUL 01/04	01.1
*1050I	JUL 01/04	01.1	*1052W	JUL 01/04	01.1
*1050J	JUL 01/04	01.1	*1052X	JUL 01/04	01.1
*1050K	JUL 01/04	01.1	*1052Y	JUL 01/04	01.1
*1050L	JUL 01/04	01.1	*1052Z	JUL 01/04	01.1
*1050M	BLANK		*1053	JUL 01/04	01.1
*1050N	JUL 01/04	01.1	*1054	JUL 01/04	01.1
*1050O	JUL 01/04	01.1	*1054A	JUL 01/04	01.1
*1050P	BLANK		*1054B	JUL 01/04	01.1
*1050Q	JUL 01/04	01.1	*1054C	JUL 01/04	01.1
*1050R	JUL 01/04	01.1	*1054D	JUL 01/04	01.1
*1050S	JUL 01/04	01.1	*1054E	JUL 01/04	01.1
*1050T	JUL 01/04	01.1	*1054F	JUL 01/04	01.1
*1050U	JUL 01/04	01.1	*1054G	JUL 01/04	01.1
*1050V	JUL 01/04	01.1	*1054H	JUL 01/04	01.1
*1050W	JUL 01/04	01.1	*1054I	JUL 01/04	01.1
*1050X	JUL 01/04	01.1	*1054J	JUL 01/04	01.1
*1050Y	JUL 01/04	01.1	*1054K	JUL 01/04	01.1
*1050Z	JUL 01/04	01.1	*1054L	JUL 01/04	01.1
*1051	JUL 01/04	01.1	*1054M	JUL 01/04	01.1
*1052	JUL 01/04	01.1	*1054N	JUL 01/04	01.1
*1052A	JUL 01/04	01.1	*1054O	JUL 01/04	01.1
*1052B	JUL 01/04	01.1	*1054P	JUL 01/04	01.1
*1052C	JUL 01/04	01.1	*1054Q	JUL 01/04	01.1
*1052D	JUL 01/04	01.1	*1054R	JUL 01/04	01.1
*1052E	JUL 01/04	01.1	*1054S	JUL 01/04	01.1
*1052F	JUL 01/04	01.1	*1054T	JUL 01/04	01.1
*1052G	JUL 01/04	01.1	*1054U	JUL 01/04	01.1
*1052H	JUL 01/04	01.1	*1054V	JUL 01/04	01.1
*1052I	JUL 01/04	01.1	*1054W	JUL 01/04	01.1
*1052J	JUL 01/04	01.1	*1054X	JUL 01/04	01.1
*1052K	JUL 01/04	01.1	*1054Y	JUL 01/04	01.1
*1052L	JUL 01/04	01.1	*1054Z	JUL 01/04	01.1
*1052M	JUL 01/04	01.1	*1055	JUL 01/04	01.1
*1052N	JUL 01/04	01.1	*1056	JUL 01/04	01.1

* = REVISED, ADDED OR DELETED

78-31-14

EFFECTIVE PAGES
 CONTINUED Page 8
 01 Jul 01/04

015T0438
 315T3001
 315T4726
 315T3055



BOEING
 COMPONENT
 MAINTENANCE MANUAL

PAGE	DATE	CODE	PAGE	DATE	CODE
ILLUSTRATED PARTS LIST		CONT.	ILLUSTRATED PARTS LIST		CONT.
*1056A	JUL 01/04	01.1	*10580	JUL 01/04	01.1
*1056B	JUL 01/04	01.1	*1058P	JUL 01/04	01.1
*1056C	JUL 01/04	01.1	*1058Q	JUL 01/04	01.1
*1056D	JUL 01/04	01.1	*1058R	JUL 01/04	01.1
*1056E	JUL 01/04	01.1	*1058S	JUL 01/04	01.1
*1056F	JUL 01/04	01.1	*1058T	JUL 01/04	01.1
*1056G	JUL 01/04	01.1	*1058U	JUL 01/04	01.1
*1056H	JUL 01/04	01.1	*1058V	JUL 01/04	01.1
*1056I	JUL 01/04	01.1	*1058W	JUL 01/04	01.1
*1056J	JUL 01/04	01.1	*1058X	JUL 01/04	01.1
*1056K	JUL 01/04	01.1	*1058Y	JUL 01/04	01.1
*1056L	JUL 01/04	01.1	*1058Z	JUL 01/04	01.1
*1056M	JUL 01/04	01.1	*1059	JUL 01/04	01.1
*1056N	JUL 01/04	01.1	*1060	JUL 01/04	01.1
*1056O	JUL 01/04	01.1	*1060A	JUL 01/04	01.1
*1056P	JUL 01/04	01.1	*1060B	JUL 01/04	01.1
*1056Q	JUL 01/04	01.1	*1060C	JUL 01/04	01.1
*1056R	JUL 01/04	01.1	*1060D	JUL 01/04	01.1
*1056S	JUL 01/04	01.1	*1060E	JUL 01/04	01.1
*1056T	JUL 01/04	01.1	*1060F	JUL 01/04	01.1
*1056U	JUL 01/04	01.1	*1060G	JUL 01/04	01.1
*1056V	JUL 01/04	01.1	*1060H	JUL 01/04	01.1
*1056W	JUL 01/04	01.1	*1060I	JUL 01/04	01.1
*1056X	JUL 01/04	01.1	*1060J	JUL 01/04	01.1
*1056Y	JUL 01/04	01.1	*1060K	JUL 01/04	01.1
*1056Z	JUL 01/04	01.1	*1060L	JUL 01/04	01.1
*1057	JUL 01/04	01.1	*1060M	JUL 01/04	01.1
*1058	JUL 01/04	01.1	*1060N	JUL 01/04	01.1
*1058A	JUL 01/04	01.1	*1060O	JUL 01/04	01.1
*1058B	JUL 01/04	01.1	*1060P	JUL 01/04	01.1
*1058C	JUL 01/04	01.1	*1060Q	JUL 01/04	01.1
*1058D	JUL 01/04	01.1	*1060R	JUL 01/04	01.1
*1058E	JUL 01/04	01.1	*1060S	JUL 01/04	01.1
*1058F	JUL 01/04	01.1	*1060T	JUL 01/04	01.1
*1058G	JUL 01/04	01.1	*1060U	JUL 01/04	01.1
*1058H	JUL 01/04	01.1	*1060V	JUL 01/04	01.1
*1058I	JUL 01/04	01.1	*1060W	JUL 01/04	01.1
*1058J	JUL 01/04	01.1	*1060X	JUL 01/04	01.1
*1058K	JUL 01/04	01.1	*1060Y	JUL 01/04	01.1
*1058L	JUL 01/04	01.1	*1060Z	JUL 01/04	01.1
*1058M	JUL 01/04	01.1	*1061	JUL 01/04	01.1
*1058N	JUL 01/04	01.1	*1062	JUL 01/04	01.1

* = REVISED, ADDED OR DELETED

78-31-14

EFFECTIVE PAGES
 CONTINUED Page 9
 01 Jul 01/04

PAGE	DATE	CODE	PAGE	DATE	CODE
ILLUSTRATED PARTS LIST		CONT.	ILLUSTRATED PARTS LIST		CONT.
*1062A	JUL 01/04	01.1	*10640	JUL 01/04	01.1
*1062B	JUL 01/04	01.1	*1064P	JUL 01/04	01.1
*1062C	JUL 01/04	01.1	*1064Q	JUL 01/04	01.1
*1062D	JUL 01/04	01.1	*1064R	JUL 01/04	01.1
*1062E	JUL 01/04	01.1	*1064S	JUL 01/04	01.1
*1062F	JUL 01/04	01.1	*1064T	JUL 01/04	01.1
*1062G	JUL 01/04	01.1	*1064U	JUL 01/04	01.1
*1062H	JUL 01/04	01.1	*1064V	JUL 01/04	01.1
*1062I	JUL 01/04	01.1	*1064W	JUL 01/04	01.1
*1062J	JUL 01/04	01.1	*1064X	JUL 01/04	01.1
*1062K	JUL 01/04	01.1	*1064Y	JUL 01/04	01.1
*1062L	JUL 01/04	01.1	*1064Z	JUL 01/04	01.1
*1062M	JUL 01/04	01.1	*1065	JUL 01/04	01.1
*1062N	JUL 01/04	01.1	*1066	JUL 01/04	01.1
*1062O	JUL 01/04	01.1	*1066A	JUL 01/04	01.1
*1062P	JUL 01/04	01.1	*1066B	JUL 01/04	01.1
*1062Q	JUL 01/04	01.1	*1066C	JUL 01/04	01.1
*1062R	JUL 01/04	01.1	*1066D	JUL 01/04	01.1
*1062S	JUL 01/04	01.1	*1066E	JUL 01/04	01.1
*1062T	JUL 01/04	01.1	*1066F	JUL 01/04	01.1
*1062U	JUL 01/04	01.1	*1066G	JUL 01/04	01.1
*1062V	JUL 01/04	01.1	*1066H	JUL 01/04	01.1
*1062W	JUL 01/04	01.1	*1066I	JUL 01/04	01.1
*1062X	JUL 01/04	01.1	*1066J	JUL 01/04	01.1
*1062Y	JUL 01/04	01.1	*1066K	JUL 01/04	01.1
*1062Z	JUL 01/04	01.1	*1066L	JUL 01/04	01.1
*1063	JUL 01/04	01.1	*1066M	JUL 01/04	01.1
*1064	JUL 01/04	01.1	*1066N	JUL 01/04	01.1
*1064A	JUL 01/04	01.1	*1066O	JUL 01/04	01.1
*1064B	JUL 01/04	01.1	*1066P	JUL 01/04	01.1
*1064C	JUL 01/04	01.1	*1066Q	JUL 01/04	01.1
*1064D	JUL 01/04	01.1	*1066R	JUL 01/04	01.1
*1064E	JUL 01/04	01.1	*1066S	JUL 01/04	01.1
*1064F	JUL 01/04	01.1	*1066T	JUL 01/04	01.1
*1064G	JUL 01/04	01.1	*1066U	JUL 01/04	01.1
*1064H	JUL 01/04	01.1	*1066V	JUL 01/04	01.1
*1064I	JUL 01/04	01.1	*1066W	JUL 01/04	01.1
*1064J	JUL 01/04	01.1	*1066X	JUL 01/04	01.1
*1064K	JUL 01/04	01.1	*1066Y	JUL 01/04	01.1
*1064L	JUL 01/04	01.1	*1066Z	JUL 01/04	01.1
*1064M	JUL 01/04	01.1	*1067	JUL 01/04	01.1
*1064N	JUL 01/04	01.1	*1068	JUL 01/04	01.1

* = REVISED, ADDED OR DELETED

78-31-14

EFFECTIVE PAGES
 CONTINUED Page 10
 01 Jul 01/04

015T0438
 315T3001
 315T4726
 315T3055



BOEING
 COMPONENT
 MAINTENANCE MANUAL

PAGE	DATE	CODE	PAGE	DATE	CODE
ILLUSTRATED PARTS LIST		CONT.	ILLUSTRATED PARTS LIST		CONT.
*1068A	JUL 01/04	01.1	*10700	JUL 01/04	01.1
*1068B	JUL 01/04	01.1	*1070P	JUL 01/04	01.1
*1068C	JUL 01/04	01.1	*1070Q	JUL 01/04	01.1
*1068D	JUL 01/04	01.1	*1070R	JUL 01/04	01.1
*1068E	JUL 01/04	01.1	*1070S	JUL 01/04	01.1
*1068F	JUL 01/04	01.1	*1070T	JUL 01/04	01.1
*1068G	JUL 01/04	01.1	*1070U	JUL 01/04	01.1
*1068H	JUL 01/04	01.1	*1070V	JUL 01/04	01.1
*1068I	JUL 01/04	01.1	*1070W	JUL 01/04	01.1
*1068J	JUL 01/04	01.1	*1070X	JUL 01/04	01.1
*1068K	JUL 01/04	01.1	*1070Y	JUL 01/04	01.1
*1068L	JUL 01/04	01.1	*1070Z	JUL 01/04	01.1
*1068M	JUL 01/04	01.1	*1071	JUL 01/04	01.1
*1068N	JUL 01/04	01.1	*1072	JUL 01/04	01.1
*1068O	JUL 01/04	01.1	*1072A	JUL 01/04	01.1
*1068P	JUL 01/04	01.1	*1072B	JUL 01/04	01.1
*1068Q	JUL 01/04	01.1	*1072C	JUL 01/04	01.1
*1068R	JUL 01/04	01.1	*1072D	JUL 01/04	01.1
*1068S	JUL 01/04	01.1	*1072E	JUL 01/04	01.1
*1068T	JUL 01/04	01.1	*1072F	JUL 01/04	01.1
*1068U	JUL 01/04	01.1	*1072G	JUL 01/04	01.1
*1068V	JUL 01/04	01.1	*1072H	JUL 01/04	01.1
*1068W	JUL 01/04	01.1	*1072I	JUL 01/04	01.1
*1068X	JUL 01/04	01.1	*1072J	JUL 01/04	01.1
*1068Y	JUL 01/04	01.1	*1072K	JUL 01/04	01.1
*1068Z	JUL 01/04	01.1	*1072L	JUL 01/04	01.1
*1069	JUL 01/04	01.1	*1072M	JUL 01/04	01.1
*1070	JUL 01/04	01.1	*1072N	JUL 01/04	01.1
*1070A	JUL 01/04	01.1	*1072O	JUL 01/04	01.1
*1070B	JUL 01/04	01.1	*1072P	JUL 01/04	01.1
*1070C	JUL 01/04	01.1	*1072Q	JUL 01/04	01.1
*1070D	JUL 01/04	01.1	*1072R	JUL 01/04	01.1
*1070E	JUL 01/04	01.1	*1072S	JUL 01/04	01.1
*1070F	JUL 01/04	01.1	*1072T	JUL 01/04	01.1
*1070G	JUL 01/04	01.1	*1072U	JUL 01/04	01.1
*1070H	JUL 01/04	01.1	*1072V	JUL 01/04	01.1
*1070I	JUL 01/04	01.1	*1072W	JUL 01/04	01.1
*1070J	JUL 01/04	01.1	*1072X	JUL 01/04	01.1
*1070K	JUL 01/04	01.1	*1072Y	JUL 01/04	01.1
*1070L	JUL 01/04	01.1	*1072Z	JUL 01/04	01.1
*1070M	JUL 01/04	01.1	*1073	JUL 01/04	01.1
*1070N	JUL 01/04	01.1	*1074	JUL 01/04	01.1

* = REVISED, ADDED OR DELETED

78-31-14

EFFECTIVE PAGES
 CONTINUED Page 11
 01 Jul 01/04

PAGE	DATE	CODE	PAGE	DATE	CODE
ILLUSTRATED PARTS LIST		CONT.	ILLUSTRATED PARTS LIST		CONT.
*1074A	JUL 01/04	01.1	*10760	JUL 01/04	01.1
*1074B	JUL 01/04	01.1	*1076P	JUL 01/04	01.1
*1074C	JUL 01/04	01.1	*1076Q	BLANK	
*1074D	JUL 01/04	01.1	*1076R	JUL 01/04	01.1
*1074E	JUL 01/04	01.1	*1076S	JUL 01/04	01.1
*1074F	JUL 01/04	01.1	*1076T	JUL 01/04	01.1
*1074G	JUL 01/04	01.1	*1076U	JUL 01/04	01.1
*1074H	JUL 01/04	01.1	*1076V	JUL 01/04	01.1
*1074I	JUL 01/04	01.1	*1076W	JUL 01/04	01.1
*1074J	JUL 01/04	01.1	*1076X	JUL 01/04	01.1
*1074K	JUL 01/04	01.1	*1076Y	JUL 01/04	01.1
*1074L	JUL 01/04	01.1	*1076Z	BLANK	
*1074M	JUL 01/04	01.1	*1077	JUL 01/04	01.1
*1074N	JUL 01/04	01.1	*1078	JUL 01/04	01.1
*10740	JUL 01/04	01.1	*1078A	JUL 01/04	01.1
*1074P	JUL 01/04	01.1	*1078B	JUL 01/04	01.1
*1074Q	JUL 01/04	01.1	*1078C	JUL 01/04	01.1
*1074R	JUL 01/04	01.1	*1078D	JUL 01/04	01.1
*1074S	JUL 01/04	01.1	*1078E	JUL 01/04	01.1
*1074T	JUL 01/04	01.1	*1078F	JUL 01/04	01.1
*1074U	JUL 01/04	01.1	*1078G	JUL 01/04	01.1
*1074V	JUL 01/04	01.1	*1078H	JUL 01/04	01.1
*1074W	JUL 01/04	01.1	*1078I	JUL 01/04	01.1
*1074X	JUL 01/04	01.1	*1078J	JUL 01/04	01.1
*1074Y	JUL 01/04	01.1	*1078K	JUL 01/04	01.1
*1074Z	JUL 01/04	01.1	*1078L	JUL 01/04	01.1
*1075	JUL 01/04	01.1	*1078M	JUL 01/04	01.1
*1076	JUL 01/04	01.1	*1078N	JUL 01/04	01.1
*1076A	JUL 01/04	01.1	*1078O	JUL 01/04	01.1
*1076B	JUL 01/04	01.1	*1078P	JUL 01/04	01.1
*1076C	JUL 01/04	01.1	*1078Q	JUL 01/04	01.1
*1076D	JUL 01/04	01.1	*1078R	JUL 01/04	01.1
*1076E	JUL 01/04	01.1	*1078S	JUL 01/04	01.1
*1076F	JUL 01/04	01.1	*1078T	JUL 01/04	01.1
*1076G	JUL 01/04	01.1	*1078U	JUL 01/04	01.1
*1076H	JUL 01/04	01.1	*1078V	JUL 01/04	01.1
*1076I	JUL 01/04	01.1	*1078W	JUL 01/04	01.1
*1076J	JUL 01/04	01.1	*1078X	JUL 01/04	01.1
*1076K	JUL 01/04	01.1	*1078Y	JUL 01/04	01.1
*1076L	JUL 01/04	01.1	*1078Z	JUL 01/04	01.1
*1076M	JUL 01/04	01.1	*1079	JUL 01/04	01.1
*1076N	JUL 01/04	01.1	*1080	JUL 01/04	01.1

* = REVISED, ADDED OR DELETED

78-31-14

EFFECTIVE PAGES
 CONTINUED Page 12
 01 Jul 01/04

015T0438
 315T3001
 315T4726
 315T3055

 **BOEING**
 COMPONENT
 MAINTENANCE MANUAL

PAGE	DATE	CODE	PAGE	DATE	CODE
ILLUSTRATED PARTS LIST		CONT.			
*1080A	JUL 01/04	01.1			
*1080B	JUL 01/04	01.1			
*1080C	JUL 01/04	01.1			
*1080D	JUL 01/04	01.1			
*1080E	JUL 01/04	01.1			
*1080F	JUL 01/04	01.1			
*1080G	JUL 01/04	01.1			
*1080H	JUL 01/04	01.1			
*1080I	JUL 01/04	01.1			
*1080J	JUL 01/04	01.1			
*1080K	JUL 01/04	01.1			
*1080L	JUL 01/04	01.1			
*1080M	JUL 01/04	01.1			
*1080N	JUL 01/04	01.1			
*1080O	JUL 01/04	01.1			
*1080P	JUL 01/04	01.1			
*1080Q	JUL 01/04	01.1			
*1080R	JUL 01/04	01.1			
*1080S	JUL 01/04	01.1			
*1080T	JUL 01/04	01.1			
*1080U	JUL 01/04	01.1			
*1080V	JUL 01/04	01.1			
*1080W	JUL 01/04	01.1			
*1080X	BLANK				

* = REVISED, ADDED OR DELETED

78-31-14

EFFECTIVE PAGES
 LAST PAGE Page 13
 01 Jul 01/04

015T0438
315T3001
315T4726
315T3055



TABLE OF CONTENTS

<u>Paragraph Title</u>	<u>Page</u>
Description and Operation.	1
Testing and Trouble Shooting	101
Disassembly.	301
Cleaning (not applicable)	
Check.	501
Repair	601
Assembly	701
Fits and Clearances.	801
Special Tools, Fixtures, and Equipment	901
Illustrated Parts List	1001

78-31-14

CONTENTS
Page 1
Jul 01/04

01.1

INTRODUCTION

The instructions in this manual provide the information necessary to perform maintenance functions ranging from simple checks and replacement to complete shop-type repair.

This manual is divided into separate sections:

- | | |
|--|------------------------------|
| 1. Title Page | 4. List of Effective Pages |
| 2. Record of Revisions | 5. Table of Contents |
| 3. Temporary Revision &
Service Bulletin Record | 6. Introduction |
| | 7. Procedures & IPL Sections |

Refer to the Table of Contents for the page location of applicable sections. An asterisked flagnote *[] in place of the page number indicates that no special instructions are provided since the function can be performed using standard industry practices.

The beginning of the REPAIR section includes a list of the separate repairs, a list of applicable standard Boeing practices, and an explanation of the True Position Dimensioning symbols used.

An explanation of the use of the Illustrated Parts List is provided in the Introduction to that section.

All weights and measurements used in the manual are in English units, unless otherwise stated. When metric equivalents are given they will be in parentheses following the English units.

Design changes, optional parts, configuration differences and Service Bulletin modifications create alternate part numbers. These are identified in the Illustrated Parts List (IPL) by adding an alphabetical character to the basic item number. The resulting item number is called an alpha-variant. Throughout the manual, IPL basic item number references also apply to alpha-variants unless otherwise indicated.

Verification:

78-31-14

INTRODUCTION

01.1

Page 1

Jul 01/04

FAN DUCT COWL AND THRUST REVERSER ASSEMBLY

DESCRIPTION AND OPERATION

1. Description

A. The fan duct cowl and thrust reverser assembly consists of the following components: cascade vanes, actuation system, supporting stationary structure, translating sleeve, and blocker doors with linkages. The assembly is constructed in two halves and may be installed without interfering with basic engine installation. A hinge point on the strut assures quick engine access or removal. Hold-open rods support the cowl in the open position of approximately 45 degrees. A vee-band latch secures the cowl in the closed position.

2. Operation

A. During operation, six mechanically synchronized and internally snubbed hydraulic actuators translate the thrust reverser sleeve approximately 21 inches in the aft direction. Sensors indicate unlock of the sleeve from the stowed position. The relative motion between the sleeve and the fixed structure causes the twelve blocker doors to rotate and redirect the normal flow of fan air through the cascade vanes to provide reverse thrust.

3. Leading Particulars (Approx.)

Length -- 57 inches
Diameter -- 108 inches
Weight -- 707-741 pounds

TESTING/TROUBLE SHOOTING

1. Equipment

NOTE: Equivalent substitutes may be used.

- A. A78011-69, Support Stand, Functional Test
- B. Hydraulic Service Cart -- Capable of supplying BMS 3-11, type 4, hydraulic fluid at 0-3000 psi filtered to 15 microns absolute.

2. Preparation for Manual Extension Test

- A. Ensure that deactivation pin (320, IPL Fig. 1 and 9) is not installed at the clevis end of the center locking actuator (255, IPL Fig. 2). Pin is normally stored in the cowl open/close switchbox.
- B. For thrust reversers not modified by SB 767-78-0068:
 - (1) Release lock on center locking actuator (255, IPL Fig. 2) by pushing lock lever in the aft direction and engaging trip lever.

NOTE: For actuators without trip levers the lock lever must be held in the unlock position until the sleeve has started to translate aft.

- C. For thrust reversers modified by SB 767-78-0068:

- (1) Release the locks on both the upper and center locking actuators (255, 335 and 365, IPL Fig. 2) by pushing lock lever in the aft direction and engaging trip lever.

NOTE: For actuators without trip levers the lock lever must be held in the unlock position until the sleeve has started to translate aft.

3. Manual Extension Test

CAUTION: THE FEEDBACK MECHANISM ON THE LOCKING ACTUATOR MUST BE SYNCHRONIZED WITH THE ACTUATOR PISTON ROD OR INTERNAL DAMAGE TO THE ACTUATOR WILL RESULT.

- A. For thrust reversers not modified by SB 767-78-0061:

- (1) Manually crank flex cable at lower non-locking actuator (IPL Fig. 2; 250) and extend the thrust reverser sleeve to the fully deployed position. Verify that the sleeve moves smoothly for the entire extension with no evidence of binding.

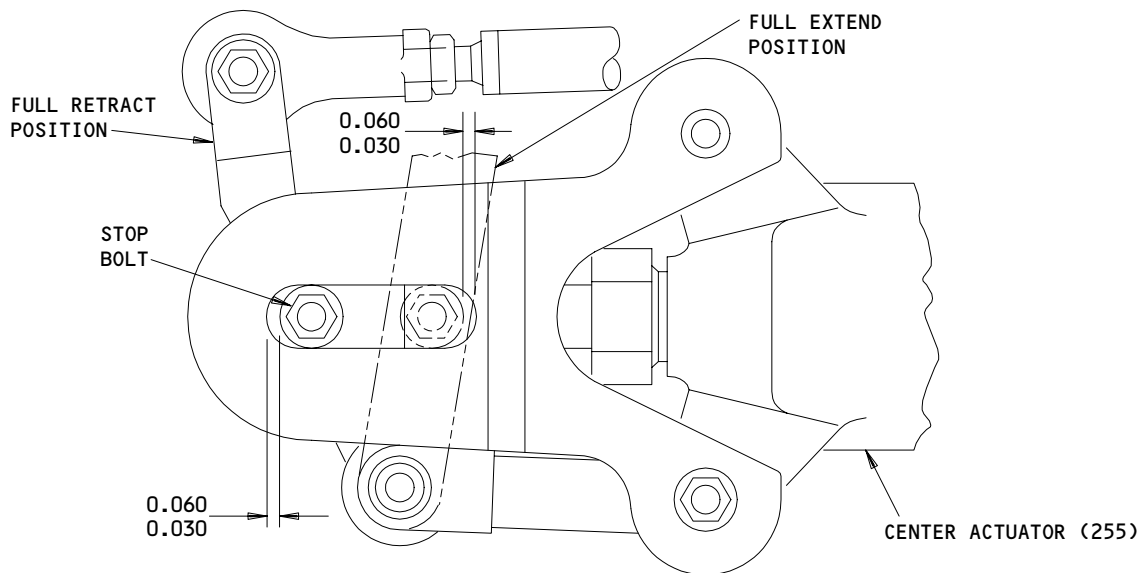
CAUTION: THE FEEDBACK MECHANISM ON THE LOCKING ACTUATOR MUST BE SYNCHRONIZED WITH THE ACTUATOR PISTON ROD OR INTERNAL DAMAGE TO THE ACTUATOR WILL RESULT.

SYNC-LOCK DRIVE PIN MUST BE FULLY ENGAGED BEFORE MANUAL OPERATION.
DO NOT FORCE ENGAGEMENT.

B. For thrust reversers modified by SB 767-78-0061:

(1) Operate the manual crank, integral to the synch lock located at lower non-locking actuator (IPL Fig. 2; 250) and extend the thrust reverser sleeve to the fully deployed position. Verify that the sleeve moves smoothly for the entire extension with no evidence of binding.

C. With the locking actuator (255, IPL Fig. 2) at the fully extended position, check the feedback mechanism for proper synchronization. The stop bolt on the actuator feedback mechanism must be positioned in the stop bracket as shown in Fig. 101. Refer to National Waterlift Actuator Assembly CMM 78-31-01 if this requirement is not met.



ITEM NUMBERS REFER TO IPL FIG. 2

ALL DIMENSIONS ARE IN INCHES

Locking Actuator Feedback Synchronization Check
Figure 101

169468

78-31-14

TESTING & TROUBLE SHOOTING
01.1 Page 102
Jul 01/04

- D. Release the trip levers again on the appropriate locking actuators.

NOTE: This step applies to actuators with trip levers.

CAUTION: THE MANUAL CRANK OVERRIDE CLUTCH MAY RATCHET BEFORE THE THRUST REVERSER SLEEVE IS IN THE FULLY STOWED POSITION. THIS CONDITION IS NORMAL. DO NOT ATTEMPT TO FULLY RETRACT THE SLEEVE BY BREAKING INTO THE ACTUATOR DRIVE MECHANISM.

- E. Manually crank the thrust reverser sleeve to the retract position. Verify that the sleeve slides smoothly with no evidence of binding.

4. Preparation for Hydraulic Test

CAUTION: THE FEEDBACK MECHANISM ON THE LOCKING ACTUATOR MUST BE SYNCHRONIZED WITH THE ACTUATOR PISTON ROD OR INTERNAL DAMAGE TO THE ACTUATOR WILL RESULT.

- A. Check that the stop bolt on the locking actuator (255, IPL Fig. 2) feedback mechanism is positioned in the stop bracket as shown in Fig. 101. Refer to National Waterlift Actuator Assembly CMM 78-31-01 if this requirement is not met.
- B. Make hydraulic supply connections to directional and flow control valves and the thrust reverser EXTEND connector (200, IPL Fig. 2) and RETRACT connector (205, IPL Fig. 2).
- C. Ensure that all hydraulic hoses, connectors, and tubing clamps are tightened.
- D. Check that the thrust reverser sleeve has been manually retracted to the stowed position to the point at which the actuator mechanism ratchets.
- E. Check that the deactivation pin (320, IPL Fig. 1 and 9) is not installed at the clevis end of the locking actuator (255, IPL Fig. 2).

5. Reduced Hydraulic Pressure Test

CAUTION: CHECK ENTIRE ASSEMBLY TO ENSURE THAT THERE ARE NO OBSTRUCTIONS WHICH MAY PREVENT MOVEMENT OF THE THRUST REVERSER SLEEVE. VERIFY THAT THE AREA IS CLEAR OF PERSONNEL AND EQUIPMENT.

- A. Adjust hydraulic supply pressure to 2000 psi and activate directional control valve to fully retract the thrust reverser sleeve to the stowed position.
- B. Activate the directional control valve to deploy the thrust reverser sleeve.
- C. Verify that the thrust reverser sleeve extends to the fully deployed position with no evidence of binding.

78-31-14

- D. Activate the directional control valve to return the sleeve to the fully stowed position.

6. Full Hydraulic Pressure Test

CAUTION: CHECK ENTIRE ASSEMBLY TO ENSURE THAT THERE ARE NO OBSTRUCTIONS WHICH MAY PREVENT MOVEMENT OF THE THRUST REVERSER SLEEVE. VERIFY THAT THE AREA IS CLEAR OF PERSONNEL AND EQUIPMENT.

- A. Increase hydraulic supply pressure to 3000 psi.
- B. Operate the directional control valve to extend the thrust reverser sleeve to the fully deployed position and then back to the fully stowed position. Repeat this sequence for 10 cycles. The thrust reverser sleeve shall operate smoothly and without binding. No hydraulic fluid leaks shall be evident.

7. Electrical Test

- A. For thrust reversers not modified by SB 767-78-0061:
 - (1) Check continuity of wire bundles (40 thru 55, IPL Fig. 3) per Wiring Diagram Manual.
- B. For thrust reversers modified by SB 767-78-0061:
 - (1) Check continuity of wire bundles (40 thru 55, IPL Fig. 3) as shown in the THRUST REVERSER WIRE CHANGES Fig. 32 in SB 767-78-0061 and Wiring Diagram Manual.
- C. Deleted.

78-31-14

DISASSEMBLY

1. Equipment

NOTE: Equivalent substitutes may be used.

- A. A78011-69, Support Stand

2. Parts Replacement

NOTE: The following parts are recommended for replacement. Unless otherwise specified, actual replacement of parts may be based on in-service experience.

- A. Cotter pins

3. Disassembly

NOTE: See Testing and Trouble Shooting to establish the condition of the component or most probable cause of its malfunction. This is to determine the extent of disassembly required without completely tearing down and rebuilding the component.

- A. Wire Bundle Installation (IPL Fig. 3 unless noted)

- (1) Disconnect wire bundles (40, 45) on left cowl assy (IPL Fig. 1; 737, 740) (IPL Fig. 9; 643A, 646A) from actuator switch installation (323, IPL Fig. 1; 562, IPL Fig. 9), zone ventilation system installation 315T3128 (CMM 71-11-32, 71-11-33) actuator unlock and deploy sensors (185, IPL Fig. 1 and 9), and auto restow sensor (191, IPL Fig. 1 and 9).
- (2) Disconnect wire bundle (40) from sync shaft lock (IPL Fig. 2; 220A) on left cowl assy for thrust reversers modified by SB 767-78-0061.

- (3) If necessary, remove wire bundles (40, 45) by removing items (5 thru 35) and items for zone ventilation system installation 315T3128 (CMM 71-11-32, 71-11-33).
- (4) Disconnect wire bundles (50, 55) on right cowl assy (743, 746, IPL Fig. 1; 649, 652, IPL Fig. 9) from actuator switch installation (326, IPL Fig. 1; 565, IPL Fig. 9), actuator unlock and deploy sensors (188, IPL Fig. 1 and 9), and auto restow sensor (194, IPL Fig. 1 and 9).
- (5) Disconnect wire bundle (50) from sync shaft lock (IPL Fig. 2; 220A) right cowl assy for thrust reversers modified by SB 767-78-0061.
- (6) If necessary, remove wire bundles (50, 55) by removing items (5 thru 35).

B. Actuator and Tubing Installation (IPL Fig. 2 unless noted) for thrust reversers (PRE SB 767-78-0068).

- (1) Loosen tube nuts at ends of flex tubings (180) and tube assemblies (145 thru 165).
- (2) Remove bolts (20, 25), nuts (50, 55), and washers (30, 35).
- (3) Remove shims, fairleads and channels (60 thru 140), and spacers (40, 45).
- (4) Remove flex shaft and flex tubing (175, 180) and tube assemblies (145 thru 165).
- (5) Remove elbow fitting (170).
- (6) Remove hose assemblies (200, 205).
- (7) Remove union (185) by removing washers (190) and nut (195).
- (8) Remove manual adapter (220) or lock assembly (222) from lower non-locking actuator (250).

CAUTION: TO ALLOW FULL MOVEMENT OF FEEDBACK MECHANISM; LINK ASSEMBLY 315T3721-1 MUST BE USED WITH ACTUATOR 2190000-20 ONLY, AND LINK ASSEMBLY 315T3721-9 MUST BE USED WITH ACTUATOR 2190000-22. IF COMPONENTS WITH THESE PART NUMBERS ARE INSTALLED, LABEL BOTH TO ENSURE PROPER REASSEMBLY.

- (9) Disconnect link assembly (20, IPL Fig. 5) from actuator fittings by removing items (140, 155, 160, 170, IPL Fig. 5). Discard cotter pin.

78-31-14

DISASSEMBLY

01.1

Page 302

Jul 01/04

- (10) Remove fitting assembly (225), shims (245) and bolts (230) at actuator gimbal attach points. Note shim thickness to facilitate reassembly.
- (11) Disconnect rod end of actuators at attach fittings by removing cotter pins (260), bolts (265), washers (270), bushings (275) and nut (280). Discard cotter pin (260).
- (12) Remove actuators (250, 255). Retain cap assemblies (210, 215) on actuators. Ensure dust covers are installed on all fittings and tubing.

C. Actuator and Tubing Installation (IPL Fig. 2 unless noted) for Thrust Reversers (POST SB 767-78-0068).

- (1) Loosen tube nuts at ends of flex tubings (180), tube assemblies (145, 160, 165, 290, 310, 315, 340, 345).
- (2) Remove bolts (20, 25), nuts (50, 55), and washers (30, 35).
- (3) Remove shims, fairleads and channels (60 thru 140) and spacers spacers (40, 45).
- (4) Remove flex shaft and flex tubing (175, 180), tube assemblies (145, 160, 165, 290, 310, 315, 340, 345) and tees (330, 360).
- (5) Remove elbow fitting (170).
- (6) Remove hose assemblies (200, 205).
- (7) Remove union (185) by removing items (190, 195).
- (8) Remove manual drive adapter (220) or the synch shaft lock (220A) from the lower non-locking actuator (250).

CAUTION: TO ALLOW FULL MOVEMENT OF FEEDBACK MECHANISM; LINK ASSEMBLY 315T3721-1 MUST BE USED WITH ACTUATOR 2190000-20 ONLY, AND LINK ASSEMBLY 315T3721-9 MUST BE USED WITH ACTUATOR 2190000-22. IF COMPONENTS WITH THESE PART NUMBERS ARE INSTALLED, LABEL BOTH TO ENSURE PROPER REASSEMBLY.

- (9) Disconnect link assembly (20, IPL Fig. 5) from actuator fittings by removing items (140, 155, 160, 170, IPL Fig. 5). Discard cotter pin.
 - (10) Disconnect fitting assembly (225), shims (245) and bolts (230) at actuator gimbal attach points. Note shim thickness to facilitate reassembly.
 - (11) Disconnect rod end of actuators at attach fitting by removing cotter pins (260), bolts (265), washers (270), bushings (275) and nuts (280). Discard cotter pin (260).
 - (12) Remove actuators (250, 255). Retain cap assemblies (210, 215) on actuators. Ensure dust covers are installed on all fittings and tubing.
- D. Fan Duct Cowl and Thrust Reverser Assembly (IPL Fig. 1 and 9) unless noted)
- (1) Remove hold open rod (IPL Fig. 1; 590) (IPL Fig. 9; 365) from rod installation by removing bolt (IPL Fig. 1; 566) (IPL Fig. 9; 338), washer (IPL Fig. 1; 567) (IPL Fig. 9; 339), nut (IPL Fig. 1; 575) (IPL Fig. 9; 347), and retainer (IPL Fig. 1; 578) (IPL Fig. 9; 350). Do not remove bushings unless repair is required.
 - (2) Remove hold open rod receiver (IPL Fig. 1; 584) (IPL Fig. 9; 356) by removing bolts (IPL Fig. 1; 581) (IPL Fig. 9; 353) and filler (IPL Fig. 1; 587) (IPL Fig. 9; 359).
 - (3) Disconnect nut (206), ferrule (203), and connector (209) from conduit (224, 227).

- (4) Remove clamp (221) from angle (230) by removing items (212 thru 218).
- (5) Remove auto restow sensor (191, 194) by removing items (197, 200).
- (6) Remove deploy sensor (185, 188) by removing nut (179) and washer (182). Do not remove spacer and rivets unless replacement is required.
- (7) Do not remove decals (251 thru 275) unless they are damaged and require replacement.
- (8) Remove target (248) by removing items (236 thru 245).
- (9) Remove target (215, IPL Fig. 5) by removing items (185 thru 210, IPL Fig. 5).
- (10) Disconnect clevis (40, IPL Fig. 5) from crank assemblies (60, 65, IPL Fig. 5) by removing items (145 thru 160, 175, IPL Fig. 5). Discard cotter pin.
- (11) Remove tamperproof putty from threaded end of bolt (IPL Fig. 5; 220) and remove crank assembly (IPL Fig. 5; 60) by removing nut (IPL Fig. 5; 240), washers (IPL Fig. 5; 230), bolt (IPL Fig. 5; 220), bushing (IPL Fig. 5; 245), springs ((IPL Fig. 5; 260, 270), and spacer (IPL Fig. 5; 225).

NOTE: Do not remove bearings (IPL Fig. 5; 115, 255) or bushings (IPL Fig. 5; 80) from bellcrank (IPL Fig. 5; 120) unless repair or replacement is required.
- (12) Remove washer (IPL Fig. 5; 95) from crank assembly (IPL Fig. 5; 60) by removing items (IPL Fig. 5; 85, 90, 100).

- (13) Remove band retainers (617, IPL Fig. 1; 392, IPL Fig. 9) from latch installation by removing bolts (611, IPL Fig. 1; 386, IPL Fig. 9) and washers (614, IPL Fig. 1; 389, IPL Fig. 9).
- (14) Remove latch band assembly (620, 623, IPL Fig. 1; 395, 398, IPL Fig. 9) from outer edge of cowl assembly.
- (15) Hinge (635, IPL Fig. 1; 410, IPL Fig. 9) may be removed from band, if required, by removing items (626, 629, 632, IPL Fig. 1; 401, 404, 407, IPL Fig. 9).
- (16) Remove deactivation pin from storage hole in actuator switch installation (323, 326, IPL Fig. 1; 562, IPL Fig. 9), if repair is required.
- (17) Do not remove decals from the switch installation unless they are damaged and require replacement.
- (18) Remove cover assembly disconnect wiring and remove switches and switch guards from actuator switch installation (323, 326, IPL Fig. 1; 562, IPL Fig. 9) if necessary.
- (19) Disconnect drag links (ref 78-31-22) from hinge fittings assemblies (662, 689, 692, IPL Fig. 1; 675, 702, 705, IPL Fig. 9) by removing items bolts (686, 659, IPL Fig. 1; 672, 699, 734, 752, IPL Fig. 9) washers (656, 683, IPL Fig. 1; 669, 696, 737, 755, IPL Fig. 9), clips (743, 761, IPL Fig. 9), bushings (746, 764, IPL Fig. 9), screws (653, 680, IPL Fig. 1; 666, 693, IPL Fig. 9), nuts (740, 758, IPL Fig. 9) and cotter pins (731, 749, IPL Fig. 9).
- (20) Remove lower hinge fitting by removing items (665, 668, 695, 698, 701, 704, 707, 710, 719, IPL Fig. 1; 482, 485, 488, 497, 678, 681, 708, 711, 714, IPL Fig. 9).

78-31-14

DISASSEMBLY

01.1

Page 306

Jul 01/04

- (21) Remove thrust reverser sleeve (731, 734, IPL Fig. 1 ; 815, 820, IPL Fig. 9) from the fan duct cowl assembly (737, 740, IPL Fig. 1; 643, 646, IPL Fig. 9).
- (22) Remove upper stop bumper assembly (IPL Fig. 1; 278) (IPL Fig. 9; 278) by removing bolts IPL Fig. 1; 284B) (IPL Fig. 9; 284).
- (23) Remove lower stop bumper assembly (IPL Fig. 1; 299) (IPL Fig. 9; 299) by removing bolts (IPL Fig. 1; 305B) (IPL Fig. 9; 305).
- (24) Remove fairing installation (IPL Fig. 4) as follows:
 - (a) Remove fairing assembly (165, 170) or fairing (215, 220) by removing bolts (10A, 15A, 30).
 - (b) Rub strip (190, 195, 205, 210) may be removed from bond assembly (175, 180) or fairing (215, 220), if necessary, by removing rivets (185, 200).
 - (c) Remove bracket assembly (20, 25) and fairing assembly (95, 100) from bond assembly (175, 180) or fairing (215, 220) by removing bolts (40A, 105A) and shim (110).
 - (d) Remove fairing assembly (95, 100) from bracket assembly (20, 25) by removing bolts (35) and shim (45).
 - (e) Remove clip assembly (115, 120) from bond assembly (155, 160) by removing bolts (125).
- (25) Remove fairing installation (IPL Fig. 1 and 9) as follows:
 - (a) Remove fairing assembly (62, 74) by removing bolts (26, 29, 32).

- (b) Remove clip assembly (68) from fairing (71, 83) by removing bolts (50, 65).
 - (c) Remove bracket assembly (23, 92) from fairing (83, 146) by removing bolts (32, 101).
- (26) If nameplate (985, IPL Fig. 1; 729, IPL Fig. 9) is damaged, it may be removed by removing rivets (980, IPL Fig. 1; 726, IPL Fig. 9).
- (a) Remove fairing assembly (137, 149) by removing bolts (95, 98, 101).
- E. Refer to CMM 78-31-22 for details of disassembly for the sleeve assy.
- F. Refer to CMM 71-11-32 and 71-11-33 for details of disassembly of the fan duct cowl assy.

78-31-14

DISASSEMBLY

01.1

Page 308

Jul 01/04

CHECK

1. Check all parts for obvious defects in accordance with standard industry practices.
2. Perform penetrant check per 20-20-02:
 - | A. Retainer (IPL Fig. 1; 617) (IPL Fig. 9; 392)
 - | B. Band (IPL Fig. 1; 647, 650) (IPL Fig. 9; 422, 425)
 - | C. Pin (IPL Fig. 1; 659, 686) (IPL Fig. 9; 672, 699)
 - | D. Stop bumper (IPL Fig. 1; 293, 314) (IPL Fig. 9; 293, 314)
 - | E. Clevis (IPL Fig. 5; 40)
 - | F. Fitting (IPL Fig. 1; 674) (IPL Fig. 9; 687)
 - | G. Bellcrank (IPL Fig. 5; 120, 125)
3. Perform magnetic particle check per 20-20-01:
 - | A. Washer (IPL Fig. 1; 656, 683) (IPL Fig. 9; 669, 696)
 - | B. Rod end (IPL Fig. 5; 35)
 - | C. Springs (IPL Fig. 5; 260 thru 275)
 - | D. Hinge Fitting (IPL Fig. 1; 635) (IPL Fig. 9; 410)
 - | E. Deactivation Pin (IPL Fig. 1; 320) (IPL Fig. 9; 320)
 - | F. Retainer (IPL Fig. 6; 40) (IPL Fig. 15; 300)

78-31-14

CHECK

01.1

Page 501

Jul 01/04

G. Link (IPL Fig. 1; 998H) (IPL Fig. 9; 999)

4. Visual Check

A. Check honeycomb and bonded parts for evidence of delamination, internal moisture, scratches, and contour defects.

(1) Tap surface at honeycomb or bonded structure slightly with coin or plastic rod. Go over entire surface. Normal structure will produce a solid sound; delaminated areas will produce a dull, hollow sound; and areas containing moisture will produce a dull, solid sound.

(2) Examine areas suspected of containing moisture radiographically to determine extent of damage.

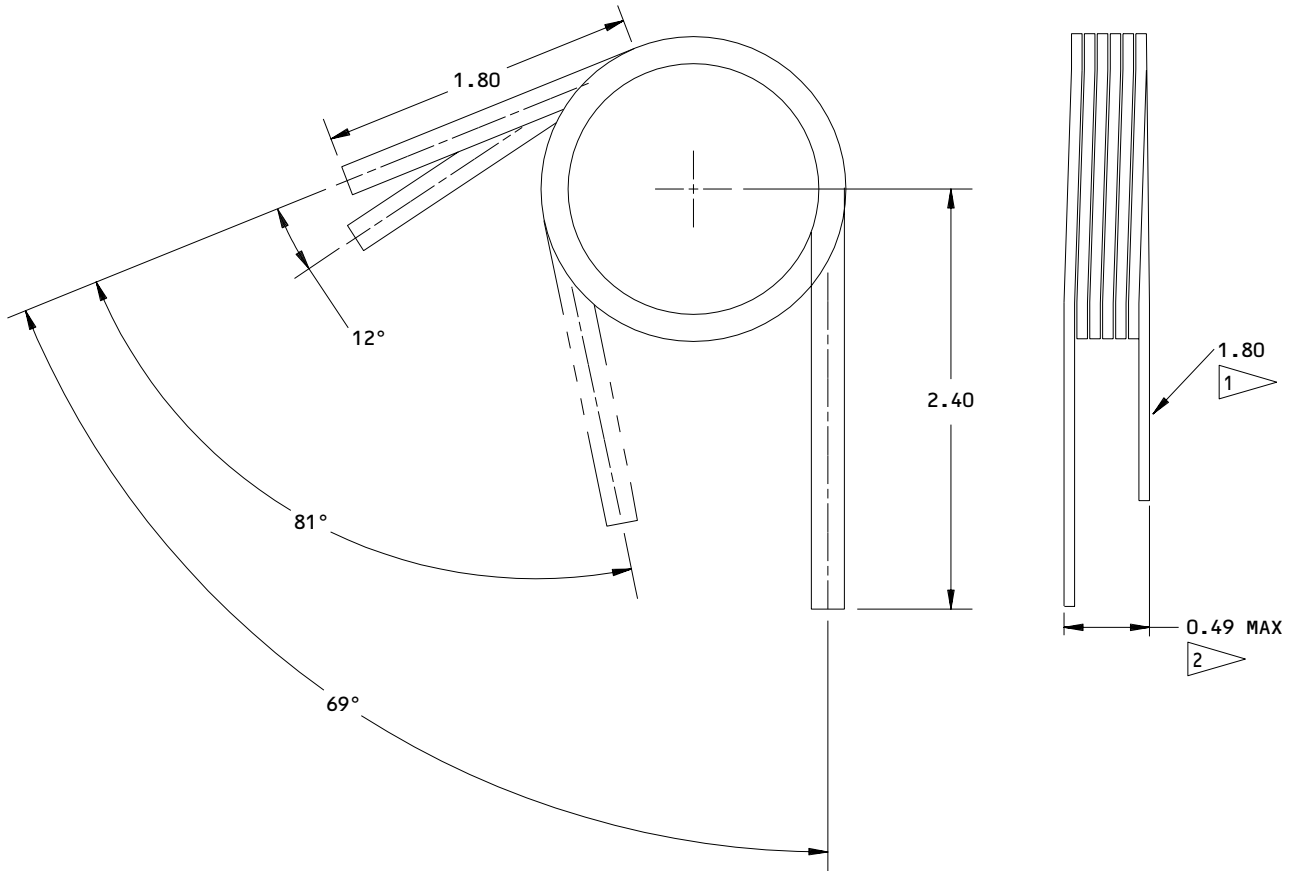
(3) Examine edges of panel carefully for cuts and abrasions. Delamination starts very easily from damage to an edge member of honeycomb panel.

B. Refer to 767 Structural Repair Manual 54-30-01 and 54-30-02 for allowable damage data.

5. Check springs (IPL Fig. 5; 260 thru 275) per Fig. 501 using spring fixture A78010-1 or equivalent.

78-31-14

CHECK
01.1 Page 502
Jul 01/04



MANDATORY SPECIFICATIONS:

1. MINIMUM INSIDE DIAMETER - 1.36
2. MINIMUM MOMENT 4.1 POUND-INCHES ($\pm 10\%$) AT 12° DEFLECTION
3. MAXIMUM MOMENT 28.1 POUND-INCHES ($+10\%/-15\%$) AT 81° DEFLECTION
4. MAXIMUM ANGULAR ROTATION WITHOUT PERMANENT SET 99°

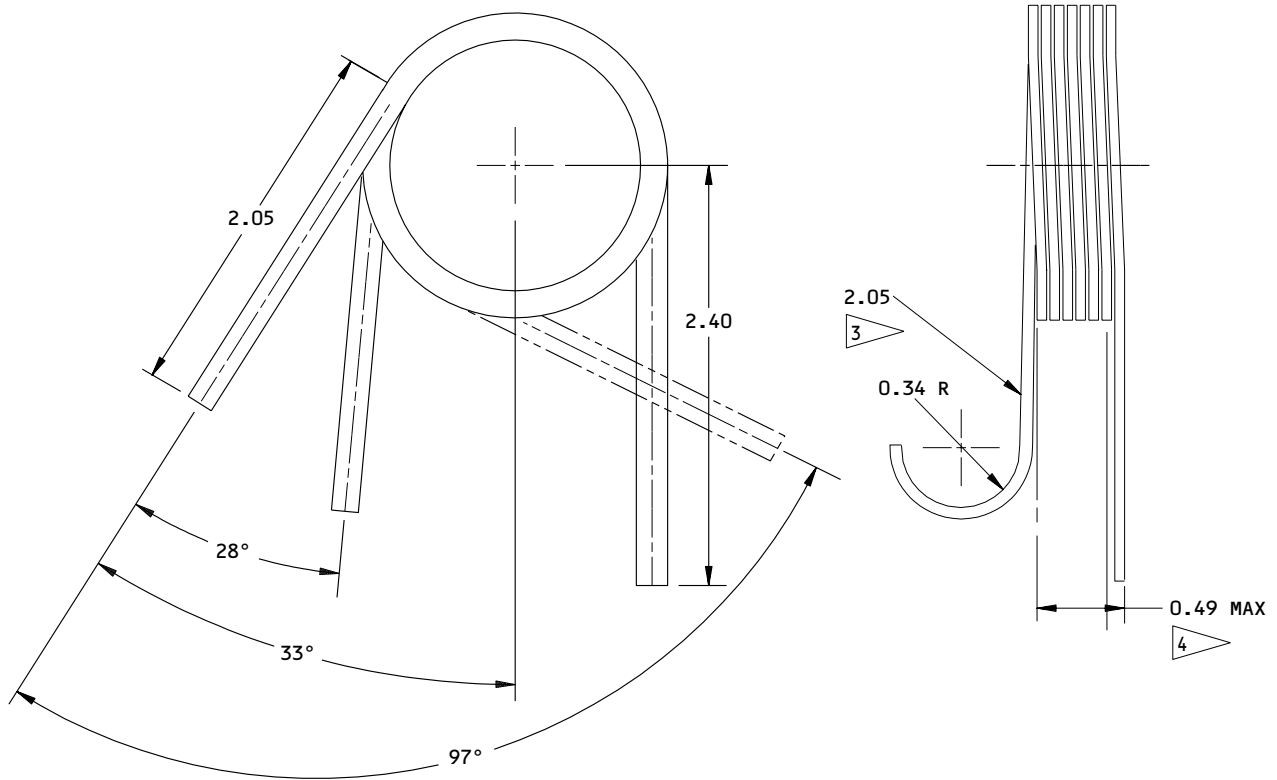
315T3632-1 SHOWN
315T3632-2 OPPOSITE

Spring Check
Figure 501 (Sheet 1)

78-31-14

CHECK
Page 503
Jul 01/04

01.1



MANDATORY SPECIFICATIONS:

1. MINIMUM INSIDE DIAMETER - 1.35
2. MINIMUM MOMENT 8.1 POUND-INCHES (+10%/-30%) AT 28° DEFLECTION
3. MAXIMUM MOMENT 28.0 POUND-INCHES (+10%/-30%) AT 97° DEFLECTION
4. MAXIMUM ANGULAR ROTATION WITHOUT PERMANENT SET 119°

315T3632-3 SHOWN
 315T3632-4 OPPOSITE

1. ARM SHOWN DEFLECTED 69° FROM OPEN POSITION
2. APPLICABLE WHEN 1.80 ARM IS DEFLECTED 69° AS SHOWN
3. ARM SHOWN DEFLECTED 33° FROM OPEN POSITION
4. APPLICABLE WHEN 2.05 ARM IS DEFLECTED 33° AS SHOWN

Spring Check
 Figure 501 (Sheet 2)

78-31-14

CHECK
 Page 504
 Jul 01/04

01.1

REPAIR – GENERAL

NOTE: Refer to Structural Repair Manual, Chapter 54, for repair of structural components.

1. Content

A. Repair, refinish and replacement procedures, as applicable, are included in separate repair sections as follows:

<u>P/N</u>	<u>NAME</u>	<u>REPAIR</u>
315T3102	HINGE FITTING ASSY	1-1, 1-2
315T3103	HINGE FITTING ASSY	2-1, 2-2
315T3529	FAIRING ASSY	3-1
315T3530	FAIRING ASSY	4-1
315T1604	DEACTIVATION PIN	5-1
315T3722	BELLCRANK ASSY	6-1, 6-2
315T3656	COVER	7-1
315T3013	HINGE LINK ASSY	8-1
315T3009	HINGE LINK	8-2
- - -	MISCELLANEOUS PARTS REFINISH	9-1

2. Standard Practices

A. Refer to the following standard practices, as applicable, for details of procedures in REPAIRS 1-1 thru 8-1.

- 20-10-03 Shot-Peening
- 20-10-06 Repair of Conductive Coatings
- 20-11-03 Repair of Electrical Terminations and Electrical Bonding Areas
- 20-30-02 Stripping of Protective Finishes
- 20-41-01 Decoding Table for Boeing Finish Codes
- 20-41-02 Application of Chemical and Solvent Resistant Finishes
- 20-50-03 Bearing and Bushing Replacement
- 20-50-08 Application of Dry Lubricant

3. Materials

NOTE: Equivalent substitutes may be used.

- A. Enamel -- BMS 10-11, Type 2, gloss (Ref 20-60-02)
- B. Enamel -- BMS 10-60, Type 2, grey gloss (Ref 20-60-02)
- C. Enamel -- BMS 10-86, Type 1, white (Ref 20-60-02)
- D. Lubricant -- BMS 3-8, Class A (Ref 20-60-03)
- E. Primer -- BMS 10-11, Type 1 (Ref 20-60-02)
- F. Primer -- BMS 10-79, Type 2, 3 (Ref 20-60-02)
- G. Coating -- BMS 10-21, Type 1 (Ref 20-60-04)
- H. Adhesive -- Type 94 (Ref 20-50-12)

4. Dimensioning Symbols

- A. Standard True Position Dimensioning Symbols used in applicable repair procedures are shown in Fig. 601.

78-31-14

REPAIR-GENERAL

01.1

Page 602

Jul 01/04

—	STRAIGHTNESS	⊕	THEORETICAL EXACT POSITION OF A FEATURE (TRUE POSITION)
▭	FLATNESS	∅	DIAMETER
⊥	PERPENDICULARITY (OR SQUARENESS)	S ∅	SPHERICAL DIAMETER
//	PARALLELISM	R	RADIUS
○	ROUNDNESS	SR	SPHERICAL RADIUS
⊙	CYLINDRICITY	()	REFERENCE
⌒	PROFILE OF A LINE	BASIC	A THEORETICALLY EXACT DIMENSION USED TO DESCRIBE SIZE, SHAPE OR LOCATION OF A FEATURE FROM WHICH PERMISSIBLE VARIATIONS ARE ESTABLISHED BY TOLERANCES ON OTHER DIMENSIONS OR NOTES.
△	PROFILE OF A SURFACE	(BSC)	
◎	CONCENTRICITY	OR	
≡	SYMMETRY	DIM	
∠	ANGULARITY	-A-	DATUM
↗	RUNOUT	Ⓜ	MAXIMUM MATERIAL CONDITION (MMC)
↗↗	TOTAL RUNOUT	Ⓛ	LEAST MATERIAL CONDITION (LMC)
⊐	COUNTERBORE OR SPOTFACE	Ⓢ	REGARDLESS OF FEATURE SIZE (RFS)
∇	COUNTERSINK	Ⓟ	PROJECTED TOLERANCE ZONE
		FIM	FULL INDICATOR MOVEMENT

EXAMPLES

$\boxed{\text{—} 0.002}$	STRAIGHT WITHIN 0.002	$\boxed{\text{◎} \text{∅} 0.0005 \text{C}}$	CONCENTRIC TO C WITHIN 0.0005 DIAMETER
$\boxed{\text{⊥} 0.002 \text{B}}$	PERPENDICULAR TO B WITHIN 0.002	$\boxed{\text{≡} 0.010 \text{A}}$	SYMMETRICAL WITH A WITHIN 0.010
$\boxed{\text{//} 0.002 \text{A}}$	PARALLEL TO A WITHIN 0.002	$\boxed{\text{∠} 0.005 \text{A}}$	ANGULAR TOLERANCE 0.005 WITH A
$\boxed{\text{○} 0.002}$	ROUND WITHIN 0.002	$\boxed{\text{⊕} \text{∅} 0.002 \text{Ⓢ} \text{B}}$	LOCATED AT TRUE POSITION WITHIN 0.002 DIA RELATIVE TO DATUM B, REGARDLESS OF FEATURE SIZE
$\boxed{\text{⊙} 0.010}$	CYLINDRICAL SURFACE MUST LIE BETWEEN TWO CONCENTRIC CYLINDERS, ONE OF WHICH HAS A RADIUS 0.010 INCH GREATER THAN THE OTHER	$\boxed{\text{⊥} \text{∅} 0.010 \text{Ⓜ} \text{A}}$ $\boxed{0.510 \text{Ⓟ}}$	AXIS IS TOTALLY WITHIN A CYLINDER OF 0.010-INCH DIAMETER, PERPENDICULAR TO, AND EXTENDING 0.510-INCH ABOVE, DATUM A, MAXIMUM MATERIAL CONDITION
$\boxed{\text{⌒} 0.006 \text{A}}$	EACH LINE ELEMENT OF THE SURFACE AT ANY CROSS SECTION MUST LIE BETWEEN TWO PROFILE BOUNDARIES 0.006 INCH APART RELATIVE TO DATUM PLANE A	$\boxed{2.000}$	THEORETICALLY EXACT DIMENSION IS 2.000
$\boxed{\text{▭} 0.020 \text{A}}$	SURFACES MUST LIE WITHIN PARALLEL BOUNDARIES 0.02 INCH APART AND EQUALLY DISPOSED ABOUT TRUE PROFILE	OR 2.000 BSC	
NOTE: DATUM MAY APPEAR AT EITHER SIDE OF TOLERANCE FRAME		$\boxed{0.020 \text{A}}$ $\boxed{\text{A} 0.020}$	

True Position Dimensioning Symbols
 Figure 601

HINGE FITTING ASSEMBLY – REPAIR 1-1

315T3102-1, -6

NOTE: Refer to REPAIR-GEN for list of applicable standard practices.

1. Bushing Replacement (Fig. 601)

- A. Remove bushings.
- B. Refer to Repair 1-2 for restoration of finish on hinge fitting.
- C. Install new bushings using shrink-fit method per 20-50-03.
- D. Machine inside diameter and flange face of bushing to the dimension and finish shown.

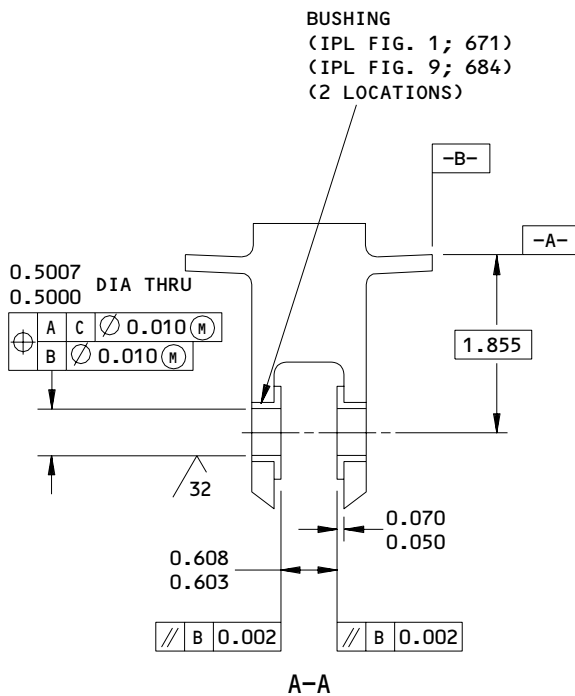
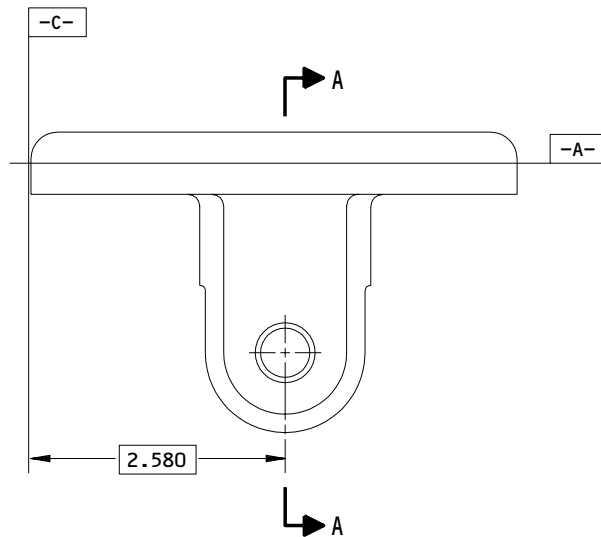
78-31-14

REPAIR 1-1

01.1

Page 601

Jul 01/04



ALL DIMENSIONS ARE IN INCHES

315T3102-1,-6
 Hinge Fitting Bushing Replacement
 Figure 601

78-31-14

REPAIR 1-1

Page 602

Jul 01/04

01.1

015T0438
315T3001
315T4726
315T3055



HINGE FITTING - REPAIR 1-2

315T3102-2

1. Repair

NOTE: Repair consists of restoration of original finish. Refer to Refinish instructions Fig. 601 and to REPAIR - GEN for list of applicable standard practices.

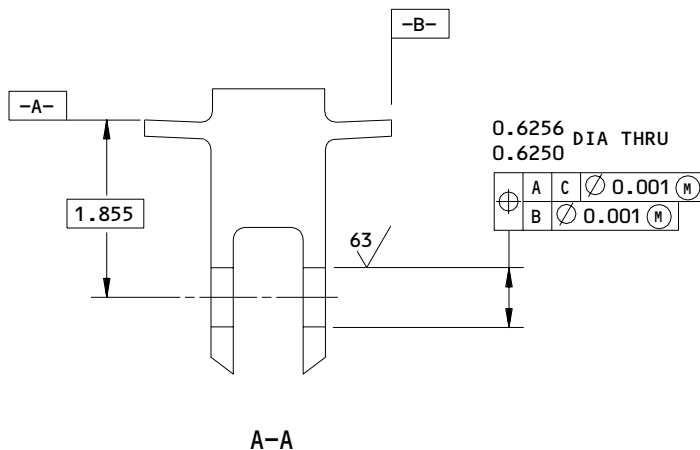
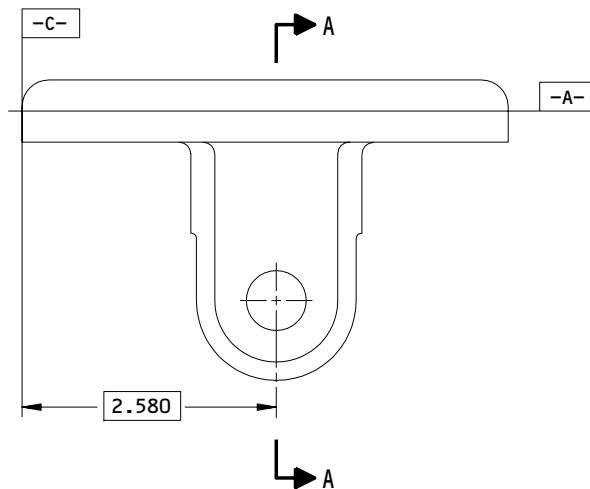
78-31-14

REPAIR 1-2

01.1

Page 601

Jul 01/04



REFINISH

CHROMIC ACID ANODIZE, TYPE I AND APPLY ONE COAT OF BMS 10-11, TYPE 1 PRIMER (F-18.13)

MATERIAL: AL ALLOY 7075-T73

BREAK ALL SHARP EDGES APPROXIMATELY 0.008R

SHOT-PEEN ALL OVER EXCEPT BUSHING HOLES. SHOT SIZE 0.023 TO 0.055, 0.006 A2 INTENSITY

ALL DIMENSIONS ARE IN INCHES

315T3102-2
 Hinge Fitting Repair
 Figure 601

78-31-14

REPAIR 1-2

Page 602

Jul 01/04

01.1

HINGE FITTING ASSEMBLY – REPAIR 2-1

315T3103-2, -11, -13, -14

NOTE: Refer to REPAIR – GEN for list of applicable standard practices.

1. Bushing Replacement (Fig. 601)

- A. Remove bushings.
- B. Refer to Repair 2-2 for restoration of finish on hinge fitting.
- C. Install new bushings using shrink-fit method per 20-50-03.
- D. Machine inside diameter and flange face of bushing to the dimension and finish shown.

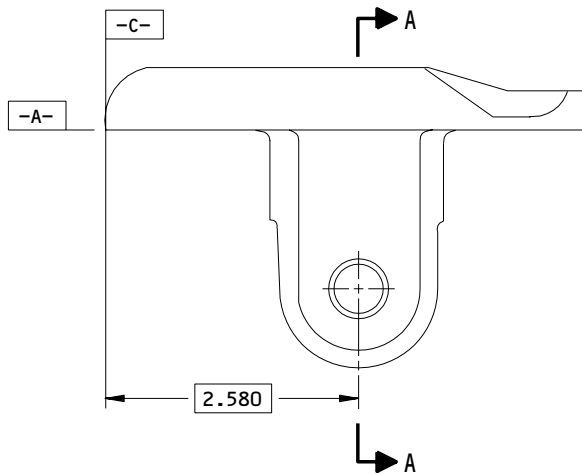
78-31-14

REPAIR 2-1

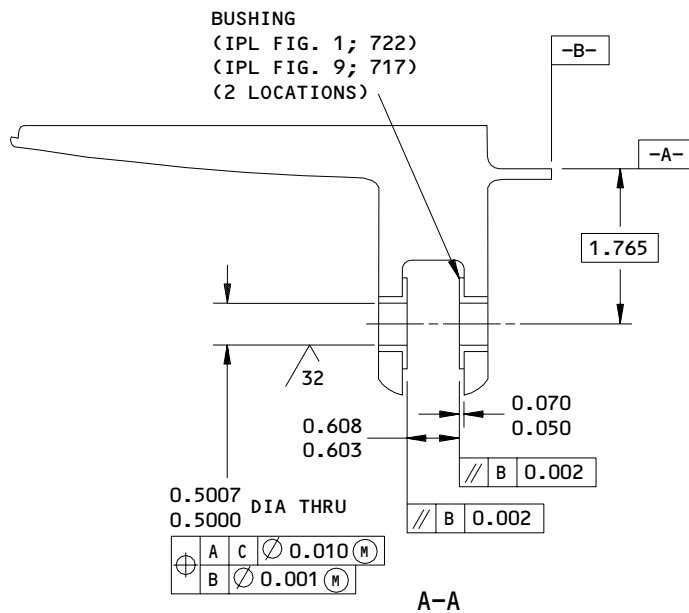
01.1

Page 601

Jul 01/04



315T3103-1,-11,-13 SHOWN
 315T3103-2,-14 OPPOSITE



ALL DIMENSIONS ARE IN INCHES

315T3103-2,-11,-13,-14
 Lower Hinge Fitting Assembly Bushing Replacement
 Figure 601

78-31-14

REPAIR 2-1
 Page 602
 Jul 01/04

01.1

015T0438
315T3001
315T4726
315T3055



HINGE FITTING - REPAIR 2-2

315T3103-4, -12

1. Repair

NOTE: Repair consists of restoration of original finish. Refer to instructions Fig. 601 and to REPAIR - GEN for list of applicable standard practices.

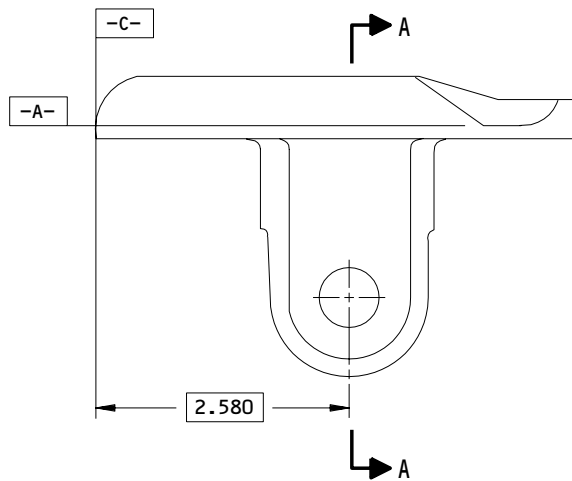
78-31-14

REPAIR 2-2

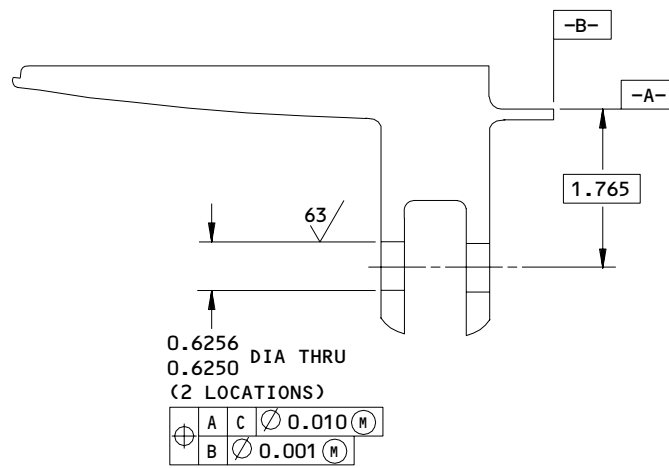
01.1

Page 601

Jul 01/04



315T3103-3,-12 SHOWN
 315T3103-4 OPPOSITE



A-A

REFINISH

CHROMIC ACID ANODIZE, TYPE I AND APPLY ONE COAT OF BMS 10-11, TYPE 1 PRIMER (F-18.13)

MATERIAL: AL ALLOY

BREAK ALL SHARP EDGES APPROXIMATELY 0.008R

SHOT-PEEN ALL OVER EXCEPT BUSHING HOLES. SHOT SIZE 0.023 TO 0.055, 0.006A2 INTENSITY

ALL DIMENSIONS ARE IN INCHES

315T3103-4,-12
 Lower Hinge Fitting Repair
 Figure 601

78-31-14

REPAIR 2-2

Page 602

Jul 01/04

01.1

015T0438
315T3001
315T4726
315T3055



FAIRING ASSEMBLY - REPAIR 3-1

315T3529-15, -16, -24

1. Plating Repair

NOTE: Repair consists of restoration of original finish. Refer to Refinish instructions Fig. 601 and to REPAIR - GEN for list of applicable standard practices.

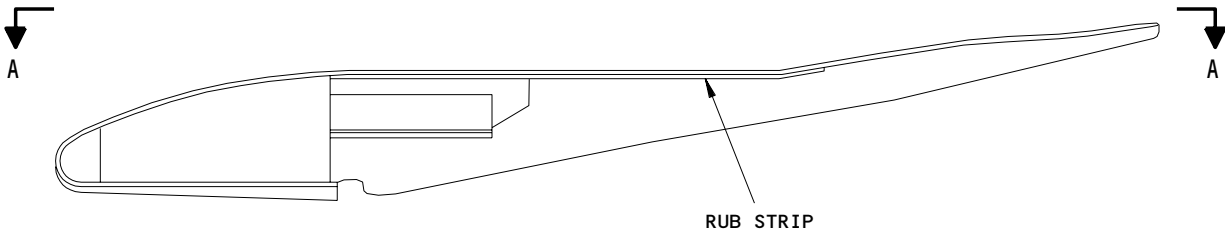
78-31-14

REPAIR 3-1

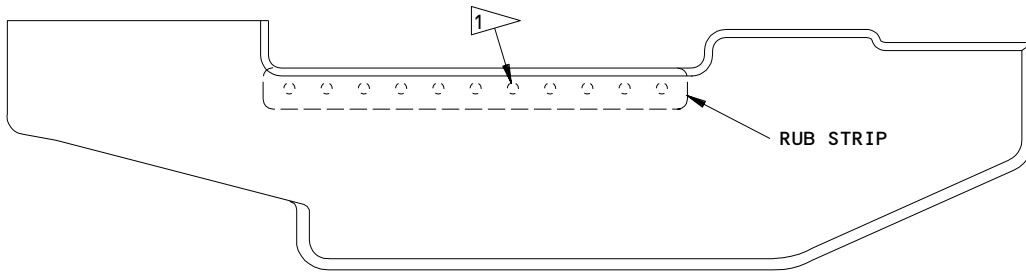
01.1

Page 601

Jul 01/04



315T3529-15 SHOWN
 315T3529-16,-24 OPPOSITE



A-A

REFINISH

MATERIAL: FAIRING SKIN GLASS FABRIC
 REINFORCED EPOXY LAMINATE

FOR 315T3529-15,-16,-24:
 APPLY CONDUCTIVE COATING BMS 10-21, TYPE 1 (SRF-14.68), AND ONE COAT OF BMS 10-79, TYPE 2, PRIMER (F-19.46) FOLLOWED BY ONE COAT OF BMS 10-60, TYPE 2, GLOSS ENAMEL TO EXTERIOR SURFACES AND EDGES EXCEPT IN AREAS NOTED. NO FINISH ON INTERIOR. OVERSPRAY ON INTERIOR ALLOWED

1 ELECTRICAL BONDING FASTENER LOCATION.
 DO NOT APPLY PRIMER OR ENAMEL IN THIS LOCATION

315T3529-15,-16,-24
 Lower Fairing Assembly Repair
 Figure 601

78-31-14

REPAIR 3-1

Page 602

Jul 01/04

01.1

015T0438
315T3001
315T4726
315T3055



FAIRING ASSEMBLY - REPAIR 4-1

315T3530-7, -8

1. Repair

NOTE: Repair consists of restoration of original finish. Refer to Refinish instructions Fig. 601 and to REPAIR - GEN for list of applicable standard practices.

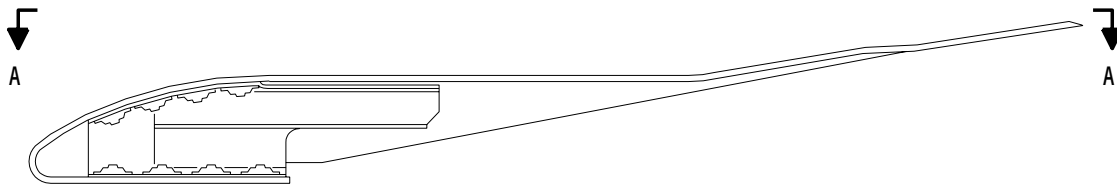
78-31-14

REPAIR 4-1

01.1

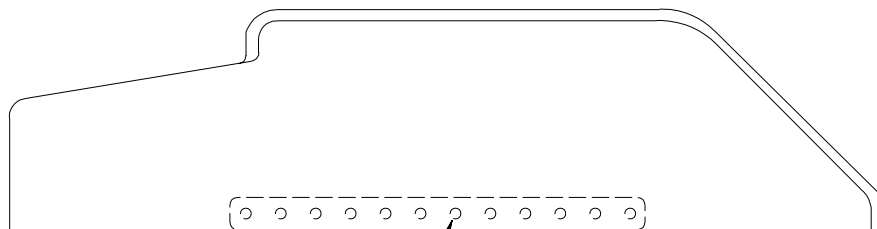
Page 601

Jul 01/04



⇒ FWD

315T3530-7 SHOWN
 315T3530-8 OPPOSITE



⇒ FWD

1

A-A

REFINISH

APPLY CONDUCTIVE COATING BMS 10-21, TYPE 1 (SRF-14.68), AND ONE COAT BMS 10-79, TYPE 3, PRIMER (F-19.47) EXCEPT IN AREAS NOTED. OVERSPRAY ALLOWED. NO FINISH ON INTERIOR EXCEPT APPLY BMS 10-86, TYPE 1, COATING TO EXPOSED SURFACE OF RUB STRIP (SRF-14.9624)

MATERIAL: FAIRING SKIN GLASS FABRIC REINFORCED EPOXY LAMINATE

1 ELECTRICAL BONDING FASTENER LOCATION. DO NOT APPLY PRIMER OR ENAMEL IN THIS LOCATION

315T3530-7,-8
 Upper Fairing Assembly Repair
 Figure 601

78-31-14

REPAIR 4-1

Page 602

Jul 01/04

01.1

015T0438
315T3001
315T4726
315T3055



DEACTIVATION PIN - REPAIR 5-1

315T1604-1, -2, -3

1. Repair

NOTE: Repair consists of restoration of original finish. Refer to Refinish instructions Fig. 601 and to REPAIR - GEN for list of applicable standard practices.

- | A. 315T1604-1, -2 (See Fig. 601)
- | B. 315T1604-3 (No finish F-25.01)

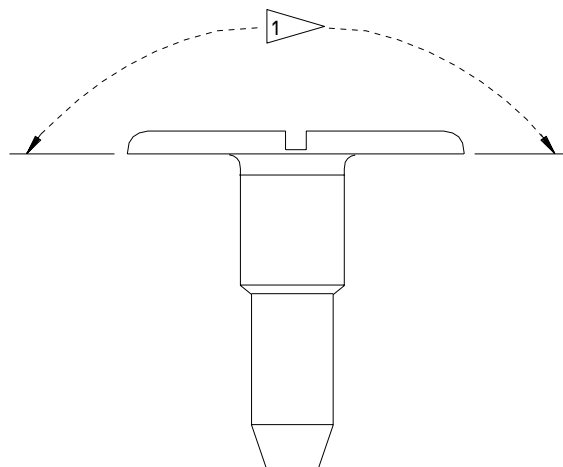
78-31-14

REPAIR 5-1

01.1

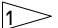
Page 601

Jul 01/04

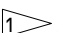


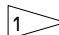
315T1604-1 SHOWN
315T1604-2 SIMILAR

REFINISH

315T1604-1:
PASSIVATE (F-17.09) ALL OVER. APPLY
BMS 10-11, TYPE 1, PRIMER (F-20.02)
FOLLOWED BY BMS 10-11, TYPE 2, ENAMEL
(SRF-14.905-101) TO AREA INDICATED BY .

MATERIAL: 15-5 PH CRES 180-200 KSI

315T1604-2:
PASSIVATE (F-17.09) ALL OVER. APPLY
BMS 10-79, TYPE 2, PRIMER (F-19.46)
FOLLOWED BY BMS 10-11, TYPE 2, ENAMEL
(SRF-14.905-101) TO AREA INDICATED BY .

 APPLY PRIMER AND ENAMEL TO THIS AREA ONLY

315T1604-1,-2
Deactivation Pin Repair
Figure 601

78-31-14

REPAIR 5-1

Page 602

Jul 01/04

01.1

BELLCRANK ASSEMBLY – REPAIR 6-1

315T3722-1, -2, -9, -10

NOTE: Refer to REPAIR – GEN for list of applicable standard practices.

1. Bushing Replacement (Fig. 601)

- A. Remove bushing (IPL Fig. 5; 78, 80) as shown in SOPM 20-50-03.
- B. Refer to Repair 6-2 for restoration of finish on bellcrank.
- C. Install new bushing using shrink-fit method per SOPM 20-50-03.
- D. Machine inside diameter of bushing to the dimension and finish shown.

2. Bearing Replacement (Fig. 601)

- A. Remove bearing (IPL Fig. 5; 115) as shown in SOPM 20-50-03.
- B. Install bearing as indicated in Fig. 601 and roller swage bearing assembly (IPL Fig. 5; 115) per SOPM 20-50-03.
- C. Bearing (255)

NOTE: Routine replacement of bearing (255) is not recommended. The bellcrank housing is swaged around the bearing. Removal of the bearing could damage the bellcrank.

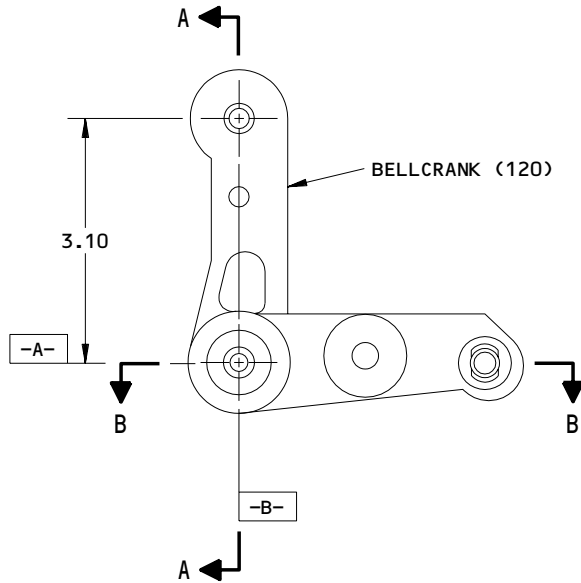
78-31-14

REPAIR 6-1

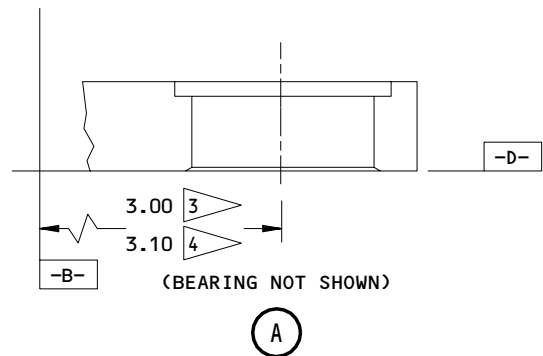
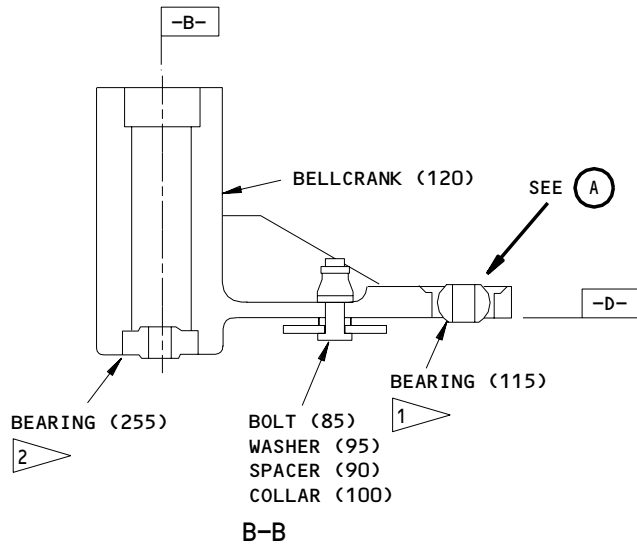
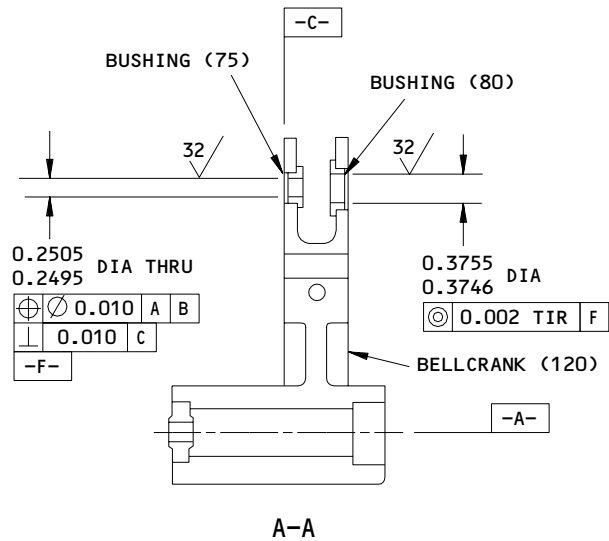
01.1

Page 601

Jul 01/04



315T3722-1,-9 SHOWN
 315T3722-2,-10 OPPOSITE



- 1 BEARING (115) MAY BE BELOW DATUM -D- A MAXIMUM OF 0.025 INCH
- 2 ROUTINE REPLACEMENT OF BEARING (255) IS NOT RECOMMENDED
- 3 FOR 315T3722-9
- 4 FOR 315T3722-1

ITEM NUMBERS REFER TO IPL FIG. 5
 ALL DIMENSIONS ARE IN INCHES

315T3722-1,-2,-9,-10
 Bellcrank Assembly Bushing and Bearing Replacement
 Figure 601

015T0438
315T3001
315T4726
315T3055



BELLCRANK - REPAIR 6-2

315T3722-3, -4, -13, -14

1. Repair

NOTE: Repair consists of restoration of original finish. Refer to Refinish instructions Fig. 601 and to REPAIR - GEN for list of applicable standard practices.

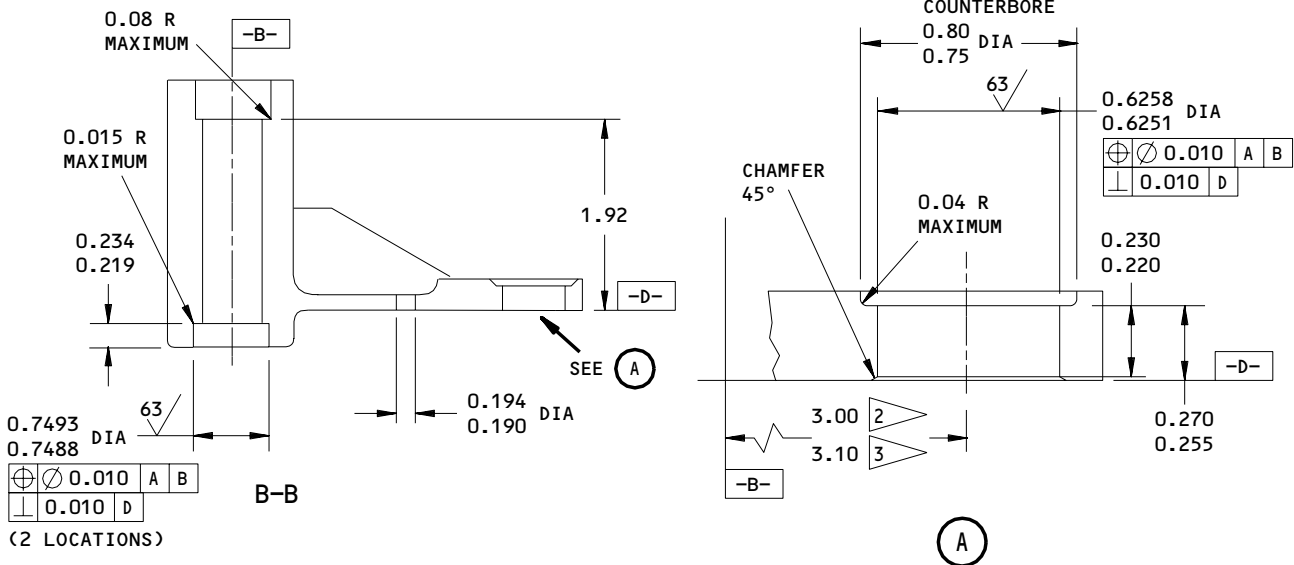
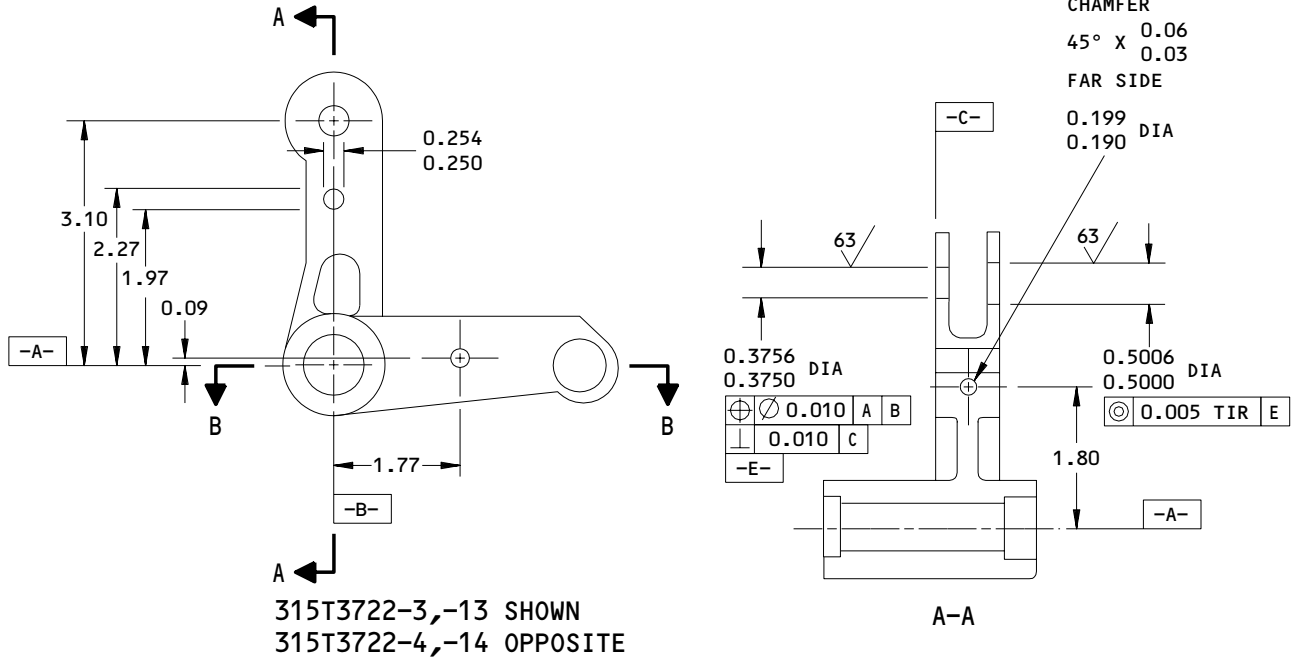
78-31-14

REPAIR 6-2

01.1

Page 601

Jul 01/04



REFINISH

CHROMIC OR SULFURIC ACID ANODIZE (F-17.05) AND
 APPLY ONE COAT OF BMS 10-11, TYPE I PRIMER
 (F-20.02) EXCEPT AS NOTED.

- 1 OMIT PRIMER ON THESE SURFACES
- 2 FOR 315T3722-13
- 3 FOR 315T3722-3

REPAIR

125 ALL MACHINED SURFACES UNLESS SHOWN
 DIFFERENTLY

MATERIAL: AL ALLOY

BREAK ALL SHARP EDGES APPROXIMATELY 0.008 R

ALL DIMENSIONS ARE IN INCHES

315T3722-3,-4,-13,-14
 Bellcrank Repair
 Figure 601

78-31-14

REPAIR 6-2

Page 602

Jul 01/04

01.1

COVER ASSEMBLY – REPAIR 7-1

315T3656-19

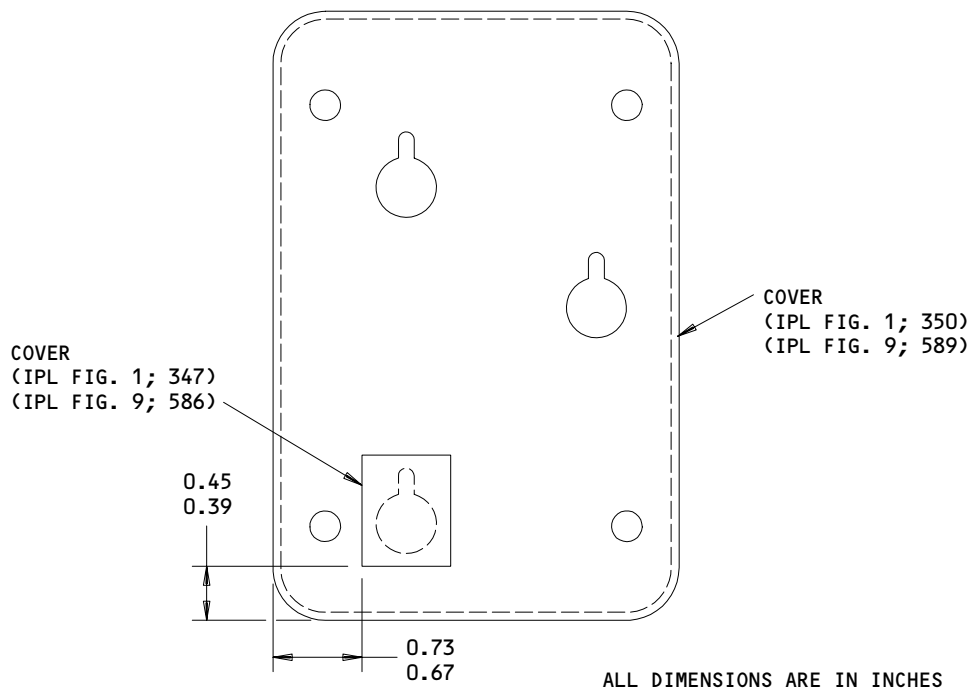
NOTE: Refer to REPAIR-GEN for list of applicable standard practices.

1. Cover Replacement (Fig. 601)

- A. Remove cover (347, IPL Fig. 1; 586, IPL Fig. 9) from cover (350, IPL Fig. 1; 589, IPL Fig. 9).
- B. Bond new cover in location shown using type 94 adhesive.

2. Refinish

- A. Covers (347 IPL Fig. 1) (586, IPL Fig. 9) (350, IPL Fig. 1) (589, IPL Fig. 9) -- Chemically treat and apply one coat of BMS 10-11, type 1, primer. Material: Al alloy



315T3656-19
Cover Assembly Repair
Figure 601

169519

78-31-14

REPAIR 7-1

01.1

Page 601

Jul 01/04

HINGE LINK ASSEMBLY – REPAIR 8-1

315T3013-1

NOTE: Refer to REPAIR-GEN for list of applicable standard practices.

1. Bushing Replacement (Fig. 601)

- A. Remove bushings.
- B. Refer to Repair 8-2 for restoration of finish on hinge fitting.
- C. Install new bushings using shrink-fit method per 20-50-03.
- D. Machine inside diameter and flange face fo bushing to the dimension and finish shown.

2. Spherical Bearing Ball Replacement (Fig. 601)

- A. Remove spherical bearing ball through slot in hinge fitting.
- B. Refer to Repair 8-2 for restoration of finish on hinge fitting.
- C. Install spherical bearing ball through slot in hinge fitting. Secure ball to hinge fitting using aluminium wire or equivalent until assembly is installed.

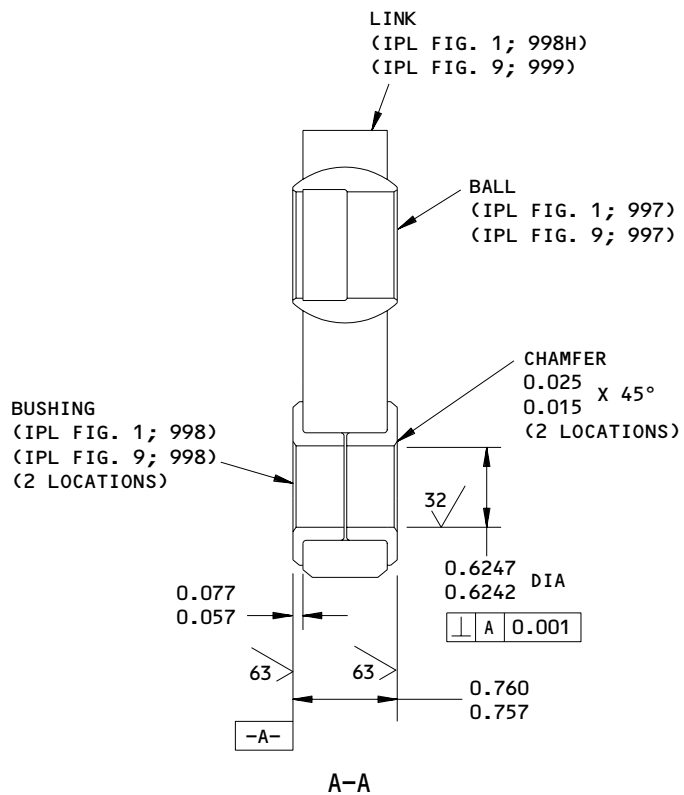
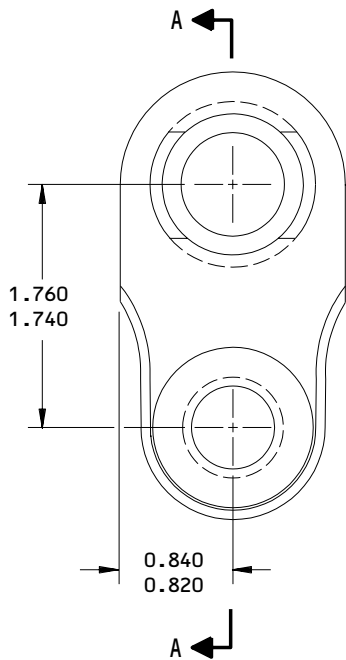
78-31-14

REPAIR 8-1

01.1

Page 601

Jul 01/04



ALL DIMENSIONS ARE IN INCHES

315T3013-1
 Bushing Replacement
 Figure 601

78-31-14
 REPAIR 8-1
 Page 602
 Jul 01/04

01.1

HINGE LINK ASSEMBLY – REPAIR 8-2

315T3009-1

NOTE: Refer to REPAIR-GENERAL for list of applicable standard practices.
If only the repair of the parts initial finish is necessary, refer to
REFINISH instructions, Fig. 601.

1. Bushing Hole Repair (Fig. 601, IPL Fig. 1)
 - A. Machine bushing hole as required to remove defects per Fig. 601.
 - B. Refinish per Fig. 601.
 - C. Manufacture oversize bushing as required per Fig. 602 to compensate for removal of material in step 1.A.
 - D. Install bushing per REPAIR 8-1.

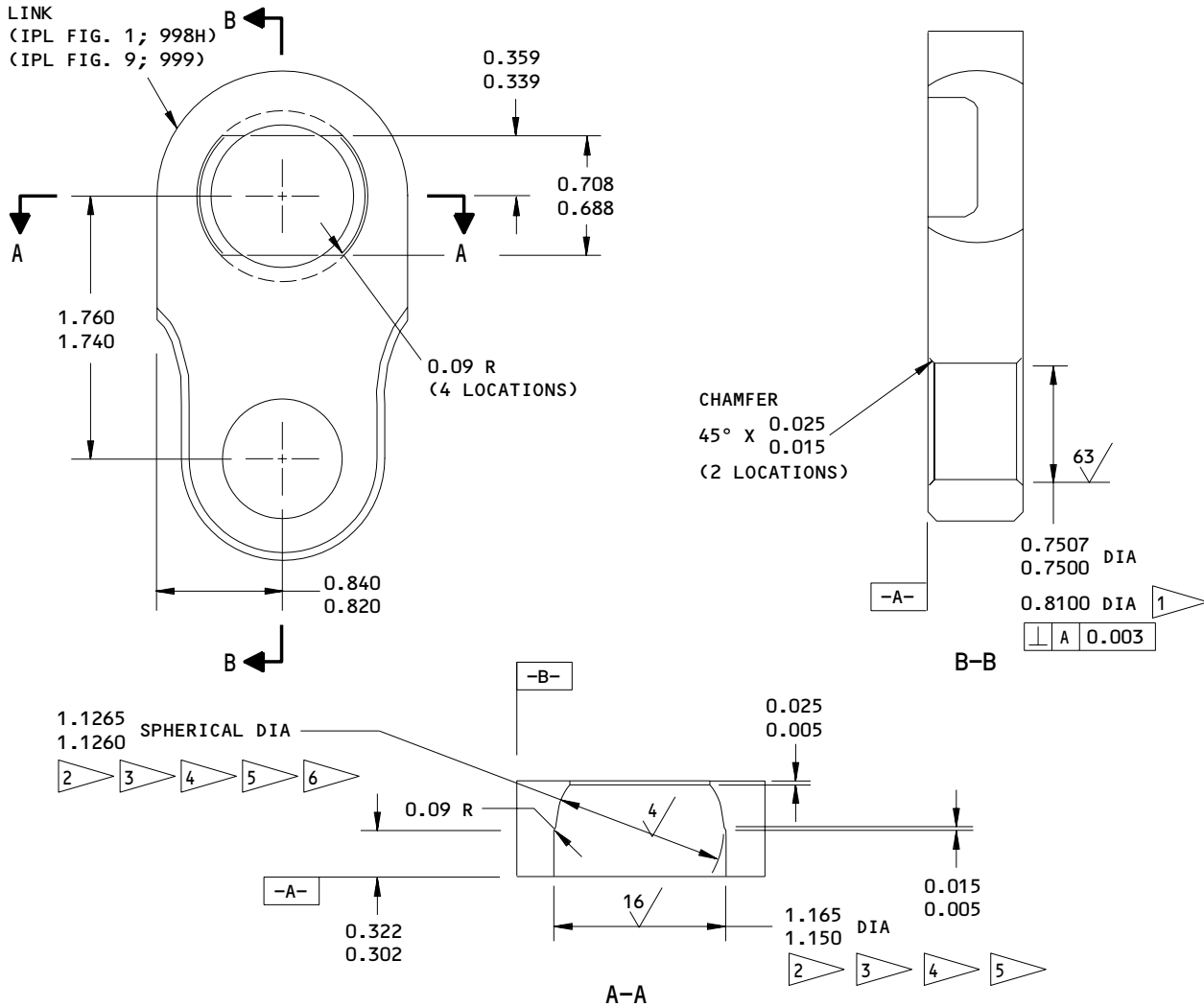
78-31-14

REPAIR 8-2

01.1

Page 601

Jul 01/04



REFINISH

HINGE LINK - PASSIVATE ALL OVER (F-17.09)

- 1 MAXIMUM DIAMETER FOR REPAIR BY INSTALLATION OF OVERSIZE BUSHING
- 2 APPLY BMS 3-8 SOLID FILM LUBRICANT (F-19.10) OPTION: DRY FILM WITH EVERLUBE 967, 0.0003-0.0005 THICK
- 3 THIS DIMENSION APPLIES AFTER MALCOMIZING AND BEFORE DRY LUBE
- 4 NITRIDE INDICATED SURFACE 0.004 TO 0.008 DEEP PER BAC 5618 EXCEPT PROCESS SHALL BE MALCOMIZING. 0.004 MINIMUM CASE DEPTH AFTER LAPPING, FEATURE SIZE AND FINISH MUST BE OBTAINED BY LAPPING BEFORE AND AFTER MALCOMIZING PROCESS

REPAIR

- 125 ALL MACHINED SURFACES UNLESS SHOWN DIFFERENTLY
- BREAK SHARP EDGES
- MATERIAL: 15-5PH CRES (150-170 KSI)
- ALL DIMENSION ARE IN INCHES
- 5 AFTER DRY FILM, THE RACE MUST ACCEPT A 1.125 DIAMETER BALL
- 6 THERE IS NO REPAIR AVAILABLE IF THE BEARING RACE EXCEEDS DESIGN REQUIREMENTS

315T3009-1
 Lug Face and Hole Refinish
 Figure 601

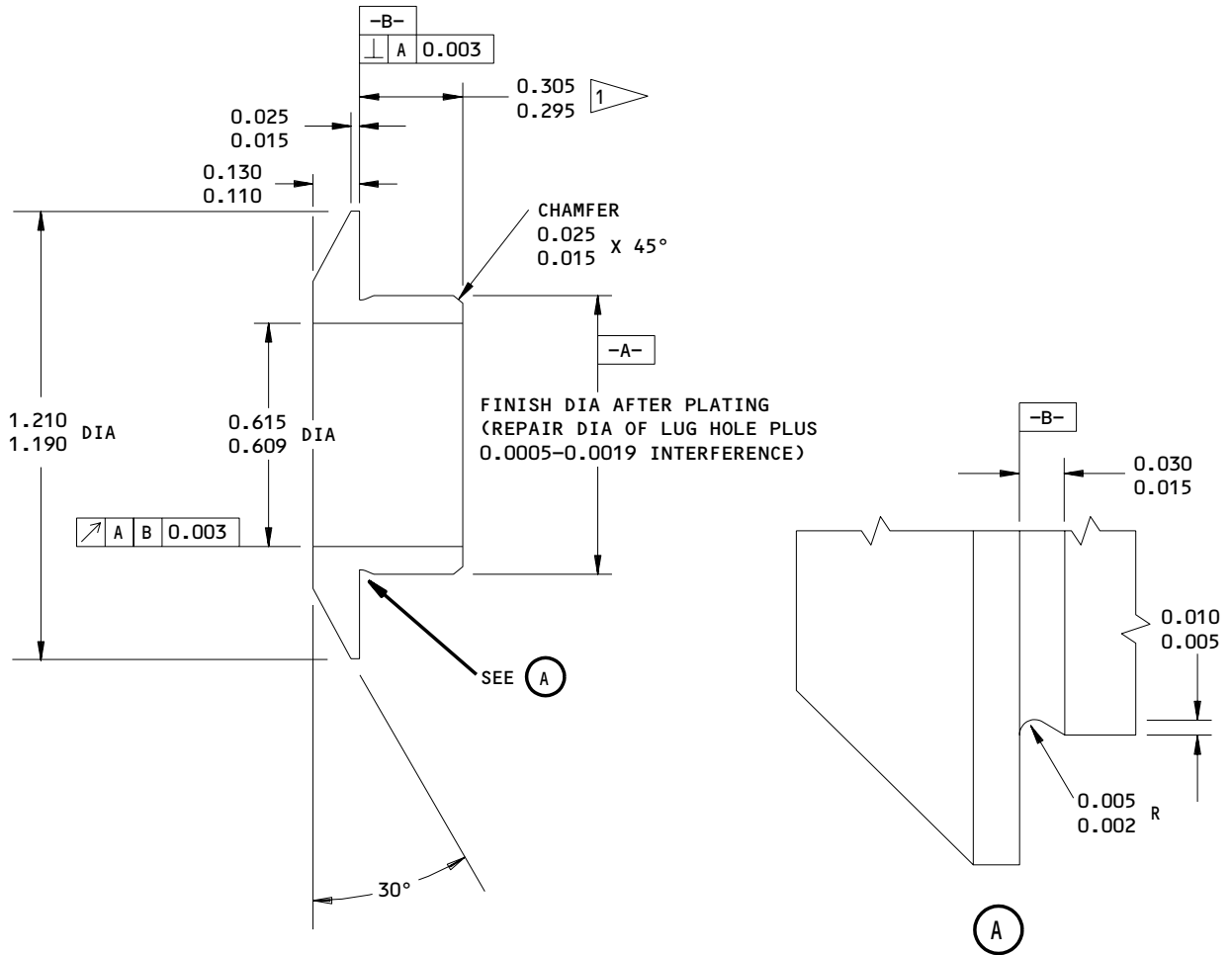
78-31-14

REPAIR 8-2

Page 602

Jul 01/04

01.1



**REPAIR BUSHING FOR BUSHING
 (IPL FIG. 1; 998)
 (IPL FIG. 9; 998)**

FINISH

PASSIVATE ALL OVER (F-17.09)

1 MINUS AMOUNT REMOVED FROM LUG FACE

REPAIR

63 ALL MACHINED SURFACES EXCEPT AS NOTED
 BREAK ALL SHARP EDGES
 MATERIAL: 15-5 PH CRES (180-200 KSI)
 MAGNETIC PARTICLE CHECK
 ALL DIMENSIONS ARE IN INCHES

Oversize Bushing Details
 Figure 602

78-31-14

REPAIR 8-2

Page 603

Jul 01/04

01.1

015T0438
315T3001
315T4726
315T3055



MISCELLANEOUS PARTS PROTECTIVE FINISH - REPAIR 9-1

1. Repair of parts listed in Fig. 601 consists of restoration of original finish.

78-31-14

REPAIR 9-1

01.1

Page 601

Jul 01/04

IPL FIG. & ITEM	MATERIAL	FINISH
<u>Fig. 1</u>		
Retainer (617)	17-7PH CRES 180-200 ksi	Cadmium plate and apply one coat BMS 10-11, Type 1 primer. (F-16.10).
Band (647, 650)	15-5PH CRES 180-200 ksi	Passivate (F-17.09).
Hinge Fitting (635)	15-5 PH CRES	Cadmium plate, except holes and slots, and apply one coat BMS 10-11, Type 1 primer (F-16.01).
Pin (659,686)	A286 CRES	Passivate (F-17.09).
Washer (656,683)	15-5 PH CRES 140 ksi min	Passivate (F-17.09).
Stop bumper (293, 314)	Al alloy	Chromic acid anodize, and apply one coat of BMS 10-11, Type 1 primer (F-18.13).
Rub strips (73,80, 153), bracket (41)	Al alloy	Chemically treat, and apply one coat BMS 10-11, Type 1 primer (F-18.06).
Angle (113)	Al alloy	Chromic acid anodize and apply one coat of BMS 10-11, Type 1, primer (F-18.13).
<u>Fig. 2</u>		
Channel (60,75,80, 85,90,115,130)	Al alloy	Chromic acid anodize (F-17.04). Apply BMS 10-11, Type 1 primer (F-20.03).

Refinish Details
Figure 601 (Sheet 1)

78-31-14

REPAIR 9-1

01.1

Page 602

Jul 01/04

IPL FIG. & ITEM	MATERIAL	FINISH
<u>Fig. 4</u>		
Tees (60), clips (145)	Al alloy	Chromic acid anodize and apply one coat of BMS 10-11, Type 1, primer (F-18.13).
Brackets (85), rub strips (190,205)	Al alloy	Chemically treat, and apply one coat BMS 10-11, Type 1 primer (F-18.06).
<u>Fig. 5</u>		
Tube (50)	Al alloy	Chemically treat interior and exterior and apply one coat of BMS 10-11, Type 1 primer (F-18.07).
Clevis (40)	15-5PH CRES 150-170 ksi	Cadmium plate and apply one coat BMS 10-11, Type 1 primer (F-18.13).
Rod end (35)	15-5PH CRES 150-170 ksi	Cadmium plate and apply one coat of BMS 10-11, Type 1 primer (F-16.01).
Spring (260,265, 270,275)	17-7PH CRES WIRE	Apply BMS 3-8 solid film lubricant (F-19.10).
Target (215)	15-5PH CRES 150-170 ksi	Cadmium plate and apply one coat BMS 10-11, Type 1 primer (F-16.01).
<u>Fig. 6</u>		
Channel (55)	Al alloy	Chemically treat and apply one coat of BMS 10-11, Type 1 primer (F-18.07).
Retainer (40)	15-5PH CRES 150-170 ksi	Cadmium plate and apply one coat of BMS 10-11, Type 1 primer (F-16.01). Do not apply primer in the threaded hole for the insert.

Refinish Details
 Figure 601 (Sheet 2)

78-31-14

REPAIR 9-1

01.1

Page 603

Jul 01/04

IPL FIG. & ITEM	MATERIAL	FINISH
<u>Fig. 9</u>		
Retainer (392)	17-7PH CRES 180-200 ksi	Cadmium plate and apply one coat BMS 10-11, Type 1 primer. (F-16.10).
Band (422, 425)	15-5PH CRES 180-200 ksi	Passivate (F-17.09).
Hinge Fitting (410)	15-5 PH CRES	Cadmium plate, except holes and slots, and apply one coat BMS 10-11, Type 1 primer (F-16.01).
Pin (672,699)	A286 CRES	Passivate (F-17.09).
Washer (669,696)	15-5 PH CRES 140 ksi min	Passivate (F-17.09).
Stop bumper (293, 314)	Al alloy	Chromic acid anodize, and apply one coat of BMS 10-11, Type 1 primer (F-18.13).
Rub strips (73,80, 153), bracket (41)	Al alloy	Chemically treat, and apply one coat BMS 10-11, Type 1 primer (F-18.06).
Angle (113)	Al alloy	Chromic acid anodize and apply one coat of BMS 10-11, Type 1, primer (F-18.13).

Refinish Details
 Figure 601 (Sheet 3)

78-31-14

REPAIR 9-1

01.1

Page 604

Jul 01/04

IPL FIG. & ITEM	MATERIAL	FINISH
<u>Fig. 15</u> Bracket (125)) Angle (305) Clip (135,145,170) Bracket (185,230, 260) Retainer (300)	Al alloy Al alloy 15-5PH CRES 150-170 ksi	Chromic acid anodize and apply BMS 10-11, Type 1 primer (F-18.13) Chemical treat and apply BMS 10-11, Type 1 primer (F-18.06). Cadmium plate and apply BMS 10-11, Type 1 primer (F-16.01). Do not apply primer in the threaded hole for the insert.

Refinish Details
 Figure 601 (Sheet 4)

78-31-14

REPAIR 9-1

01.1

Page 605

Jul 01/04

ASSEMBLY

1. Material

- | A. Lubricant -- BMS 3-8 (SOPM 20-60-03)
- | B. Sealant -- BMS 5-63 (SOPM 20-60-04)
- | C. Insulative Coating -- Martin Marietta MA-25S or Crown - Metro 64-1C-2, Type 1 Grade B (Ref CMM 71-00-01)
- | D. Primer -- BMS 10-11, Type 1 (SOPM 20-60-02)
- | E. Hydraulic Fluid -- BMS 3-11, Type IV (SOPM 20-60-03)
- | F. Tamper Proof Putty -- BMS 8-45 (SOPM 20-60-04)

2. Equipment

- | A. A78011-69, Support Fixture, T/R
- | B. MS20392-3C (or 0.246-0.248 dia. rod, 4 in. long), Rig Pin

3. Assembly

NOTE: Fan duct cowl and thrust reverser assembly should be supported in support fixture to facilitate buildup and checkout.

- A. Fan Duct Cowl and Thrust Reverser Assembly (IPL Fig. 1 and 9 unless noted)
 - | (1) Mount sleeve assembly (IPL Fig. 1; 731, 734) (IPL Fig. 9; 815, 820) on fan duct cowl assembly (IPL Fig. 1; 737, 740) (IPL Fig. 9; 643A,646A).
 - | (2) Attach bracket assembly (23, 92) to fairing (83, 146) using bolts (32, 101).
 - | (3) Attach clip (68) to fairing (71, 83) using bolts (50).
 - | (4) Attach fairing (71, 83) to clip (68) and to bracket assembly (23) with filler and bolts (65).

78-31-14

ASSEMBLY
Page 701
Jul 01/04

01.1

- (5) Attach lower fairing installation (89) to sleeve assembly using items (92, 95, 98, 101). Install bolts (101) with BMS 3-8 grease on all surfaces.
- (6) Assemble fairing installation (IPL Fig. 4) as follows:
 - (a) Attach clip assembly (115, 120) to bond assembly (155, 160) with bolts (125).
 - (b) Attach bracket assembly (20) to bond assembly (155) with shim (45) and bolts (35).
 - (c) Attach bracket assembly (20, 25) and clip assembly (115) to bond assembly (175, 180) or fairing (215, 220) using shim (110) and bolts (40A, 105A).
 - (d) Attach rub strip (190, 195, 205, 210) if removed from bond assembly (175, 180) or fairing (215, 220) with rivets (185, 200).
 - (e) Attach fairing assembly (165, 170) or fairing (215, 220) to sleeve assembly using items (IPL Fig. 4; 10A, 15A, 30). Install bolts (10A) with BMS 3-8 grease on all surfaces.
- (7) Apply wet BMS 10-11, Type 1 primer to nutplates (290) all over except on threads. Attach to upper stop bumper (293) with rivets (287).
- (8) Attach upper stop bumper assembly (278) to cowl assembly (IPL Fig. 1; 737, 740) (IPL Fig. 9; 643A, 646A), using bolts (284).
- (9) Apply wet BMS 10-11, Type 1 primer to nutplates (311) all over except on threads. Attach to lower stop bumper (314, 317) with rivets (308).
- (10) Attach lower stop bumper assembly (299, 302) to cowl assembly (IPL Fig. 1; 737, 740) (IPL Fig. 9; 643A, 646A) using bolts (IPL Fig. 1; 305B) (IPL Fig. 9; 305).
- (11) Using sealant, seal inner surface of hole in inner duct wall for hinge fittings (IPL Fig. 1; 662, 689) (IPL Fig. 9; 675, 702).
- (12) Temporarily install hinge fittings ((IPL Fig. 1; 662, 689) (IPL Fig. 9; 675, 702) on cowl assembly with shims (IPL Fig. 1; 676, 677A, 713, 716) (IPL Fig. 9; 455, 491, 494, 690).

78-31-14

ASSEMBLY
Page 702
Jul 01/04

01.1

- (13) Attach drag links (Ref 78-31-22) to fittings (662, 689, 692, IPL Fig. 1; 675, 702, 705, IPL Fig. 9) using bolts (686, 659, IPL Fig. 1; 672, 699, 734, 752, IPL Fig. 9), washers (656, 683, IPL Fig. 1; 669, 696, 737, 755, IPL Fig. 9) clips (743, 761, IPL Fig. 9), bushings (746, 764, IPL Fig. 9) screws (653, 680, IPL Fig. 1; 666, 693, IPL Fig. 9), nuts (740, 758A, IPL Fig. 9) and cotter pins (731, 749, IPL Fig. 9).
- (14) Release tension of blocker door hinge fitting spring (CMM 78-31-22) against drag link pin. Adjust thickness of shims (676, 677A, 713, 716, IPL Fig. 1; 455, 491, 494, 690, IPL Fig. 9) to obtain dimension shown in Fig. 702 between drag link pin and bottom of slot in blocker door fitting. Maximum shim thickness is 0.08 inch.
- (15) Trim shims (676, 677A, 713, 716, IPL Fig. 1; 455, 491, 494, IPL Fig. 9) to edge of hinge mounting hole. Trimming to contour of hinge fitting is optional.
- (16) Secure hinge fitting assemblies (662, IPL Fig. 1; 675, IPL Fig. 9) using items (665, 668, IPL Fig. 1; 678, 681, IPL Fig. 9). Fay surface seal shims, seal under heads and fillet-seal collars with sealant. Do not seal collars in areas where insulative coating is to be applied (Ref CMM 71-11-32).
- (17) Secure lower hinge fittings (689, 692, IPL Fig. 1; 702, 705, IPL Fig. 9) to cowl assembly using bolts (695, 698, 704, 707, IPL Fig. 1; 482, 485, 708, 711, IPL Fig. 9), collars (701, IPL Fig. 1; 714, IPL Fig. 9), washers (710, IPL Fig. 1; 488, IPL Fig. 9), and nuts (719, IPL Fig. 1; 497, IPL Fig. 9). Seal under heads and fillet-seal collars and nuts with sealant. Do not seal collars in areas where insulative coating is to be applied (Ref CMM 71-11-32).
- (18) Apply insulative coating around hinge fittings (662, 689, 692, IPL Fig. 1; 675, 702, 705, IPL Fig. 9) to fill in to equivalent thickness of surrounding area as shown in CMM 71-00-01 .
- (19) Make wire connections between connector (362, IPL Fig. 1; 601, IPL Fig. 9) and toggle switches (Fig. 703, 704).
- (20) Attach connectors (362, IPL Fig. 1; 601, IPL Fig. 9) to the covers.
- (21) Install toggle switches and switch guards on covers. Maintain clearance indicated in Fig. 705.
- (22) Insert deactivation pin (320) into storage hole provided in switch installation (323, 326, IPL Fig. 1; 562, 565, IPL Fig. 9).
- (23) Attach covers using screws (344, IPL Fig. 1; 583, IPL Fig. 9) to the box assembly.
- (24) Apply decals as required in locations shown in Fig. 704.

- (25) If necessary, attach receiver (IPL Fig. 1; 641)(IPL Fig. 9; 416) to band (IPL Fig. 1; 647)(IPL Fig. 9; 422) with rivets (IPL Fig. 1; 638)(IPL Fig. 9; 413).
- (26) Attach hinge (IPL Fig. 1; 635)(IPL Fig. 9; 410) to band using items (IPL Fig. 1; 626, 629, 632)(IPL Fig. 9; 401, 404, 407). Install Hi-Loks flush within ± 0.005 inch. Install washers under collars.
- (27) Install latch band assembly (IPL Fig. 1; 620, 623)(IPL Fig. 9; 395, 398) in groove on circumference of cowl assembly. Attach band retainers (IPL Fig. 1; 617)(IPL Fig. 9; 392) with (IPL Fig. 1; 611, 614)(IPL Fig. 9; 386, 389).

B. Actuator and Tubing Installation (IPL Fig. 2 unless noted)

- (1) Position diaphragm of sleeve assembly (IPL Fig. 1; 731, 734) (IPL Fig. 9; 815, 820) so that seal on sleeve assembly contacts cowl assembly (IPL Fig. 1; 737, 740)(IPL Fig. 9; 643A, 646A). See CMM 78-31-22 for details of sleeve assembly.
- (2) Insure that actuators (250, 255) are in the fully retracted position. For full retract, the gap between the aluminum collar at the rod end and the actuator cylinder should be 0.010-0.018 inch.

NOTE: Locking actuators (255) to be mounted on the RH side of both engines must have feedback linkages reversed.
- (3) Insert actuator (250, 255) rod ends through holes in torque box. Rotate actuators so that hydraulic ports are nearest the engine centerline.
- (4) Attach rod end of actuators to attach fittings using items (260 thru 280). Tighten nut (280) to 20 pound-inches then tighten to next castellation and insert cotter pin (260).
- (5) Remove any dust covers from actuator upper main drive ports. For locking actuators (255) to be installed on the RH side of the engines, remove dust cover from the lower main drive port.
- (6) For locking actuators (255) only:
 - (a) Remove gage bar from actuator
 - (b) Release actuator lock lever clockwise.
 - (c) Engage trip lever to hold actuator unlocked during adjustment.
- (7) Insert a 3/16 inch square drive key in the actuator synchronous drive splined hole.

78-31-14

ASSEMBLY
Page 704
Jul 01/04

01.1

- (8) Adjust position of actuator to align gimbal with attachment fittings on cowl assembly. Do not damage spline holes with drive key.
 - (9) Release trip lever to reset lock on actuators (255).
 - (10) Install fitting assembly (225). Fill gap between gimbal attachment fitting and actuator with shims (245). Secure with bolts (230).
 - (11) Install caps (210, 215).
 - (12) Install manual adapter (220) or lock assembly (222) on lower non-locking actuators (250).
 - (13) Install union (185) with items (190, 195).
 - (14) Install hose assemblies (200, 205).
 - (15) For thrust reversers (PRE SB 767-78-0068) install elbow (170) and connect tube assemblies (145 thru 165).
 - (16) For thrust reversers (POST SB 767-78-0068) install elbow (170), connect tube assemblies (145, 160, 165, 290, 310, 315, 340, 345), and tees (330, 360).
 - (17) Secure all tube assemblies with items (20 thru 140).
 - (18) Check all line and hose connections and tighten as necessary.
- CAUTION:** CHECK ENTIRE ASSEMBLY TO ENSURE THAT THERE ARE NO OBSTRUCTIONS WHICH MAY PREVENT MOVEMENT OF SLEEVE ASSY TO A RETRACTED POSITION. APPROXIMATE MOVEMENT IS 0.5 INCH. HYDRAULIC SUPPLY IS TO BE CONNECTED FOR DEPLOY AND RETRACT.
- (19) Connect hose assemblies (200, 205) to a hydraulic supply using BMS 3-11 Type IV fluid at 1800 to 3000 psi.
- CAUTION:** THE FEEDBACK MECHANISM ON THE LOCKING ACTUATOR (255) MUST BE SYNCHRONIZED WITH THE ACTUATOR PISTON ROD OR INTERNAL DAMAGE TO THE ACTUATOR WILL RESULT.
- (20) Apply hydraulic power and verify proper stow position of actuator feedback lever as shown in Fig. 707. If the feedback requirement is not met, refer to National Waterlift Actuator Assembly CMM 78-31-01.
 - (21) Ensure that all actuators are in a fully retracted position.
 - (22) Disconnect hydraulic power.

- (23) Install crank assembly (IPL Fig. 5; 60) using spacer (IPL Fig. 5; 225), bearing (IPL Fig. 5; 70), springs (IPL Fig. 5; 260, 270), bolt (IPL Fig 5; 220), bushing (IPL Fig. 5; 245), washers (IPL Fig. 5; 230, 235), and nut (IPL Fig. 5; 240). Apply BMS 8-45, white tamper proof putty, around threads protruding from nut.
 - (24) Install washer (IPL Fig. 5; 95) on bellcrank assembly (IPL Fig. 5; 60) with items (IPL Fig. 5; 85 thru 100).
 - (25) Insert rig pin through crank assembly (IPL Fig. 6; 60) and into crank bracket.
 - (26) Assemble link assembly (IPL Fig. 5; 20) using items (IPL Fig. 5; 25 thru 45) crank bracket.
 - (27) Connect link assembly (IPL Fig. 5; 20) to crank assembly (IPL Fig. 5; 60) using items (IPL Fig. 5; 145 thru 175).
- CAUTION:** TO ALLOW FULL MOVEMENT OF FEEDBACK MECHANISM, LINK ASSEMBLY 315T3721-1 MUST BE USED WITH ACTUATOR 2190000-20 ONLY, AND LINK ASSEMBLY 315T3721-9 MUST BE USED WITH ACTUATOR 2190000-22.
- (28) Connect link assembly (IPL Fig. 5; 20) to actuator (IPL Fig. 2; 255) using items (IPL Fig. 5; 140, 155, 160, 170).
 - (29) Adjust rod end on link assembly (IPL Fig. 5; 20) as required to connect fully retracted actuator to crank assembly. Tighten jamnut (IPL Fig. 5; 30).
 - (30) Remove rig pin from crank assembly.
 - (31) Slide end fittings back on both ends of tube assemblies (IPL Fig. 2; 180) exposing ends of flex shaft (IPL Fig. 2; 175).

78-31-14

ASSEMBLY
Page 706
Jul 01/04

01.1

- | (32) Position tube assemblies (180) between actuators (250, 255).
- (33) Loosely install tube assemblies (180) with markers (285) in fairleads and channels (60, 65, 115 thru 135).
- (34) Insert flex shafts (175) into actuators and engage tube nuts 1 to 2 threads at each end.
- (35) Secure tube assemblies (180) using fairleads and channels (60, 65, and items 115 thru 135).
- (36) Loosen tube nuts at each end of tube assemblies (180) and verify flex shafts are still engaged in actuators. Tighten tube nuts.

CAUTION: SYNC-LOCK DRIVE PIN MUST BE FULLY ENGAGED BEFORE MANUAL OPERATION. DO NOT FORCE ENGAGEMENT.

- (37) Manually run actuators to the fully extended position.
- (38) Install auto restow sensor (191, 194, IPL Fig. 1 and 9) using items (197 thru 209, IPL Fig. 1 and 9).
- (39) Install target (248, IPL Fig. 1 and 9) using items (236, 239, 245, IPL Fig. 1 and 9).
- (40) Install clamp (221, IPL Fig. 1 and 9) and conduit (224, 227, IPL Fig. 1 and 9) using items (212 thru 218, IPL Fig. 1 and 9).
- (41) Clay check gap for auto restow sensor.
 - (a) Hydraulically move thrust reverser sleeve to the forward stowed position (forward edge of sleeve at nacelle STA 128.94).
 - | (b) Check deflection of bumper P/N 315T3563 (CMM 78-31-22) and adjust shim P/N BACS40R10D40F to provide 0.062 in. deflection (Fig. 701).

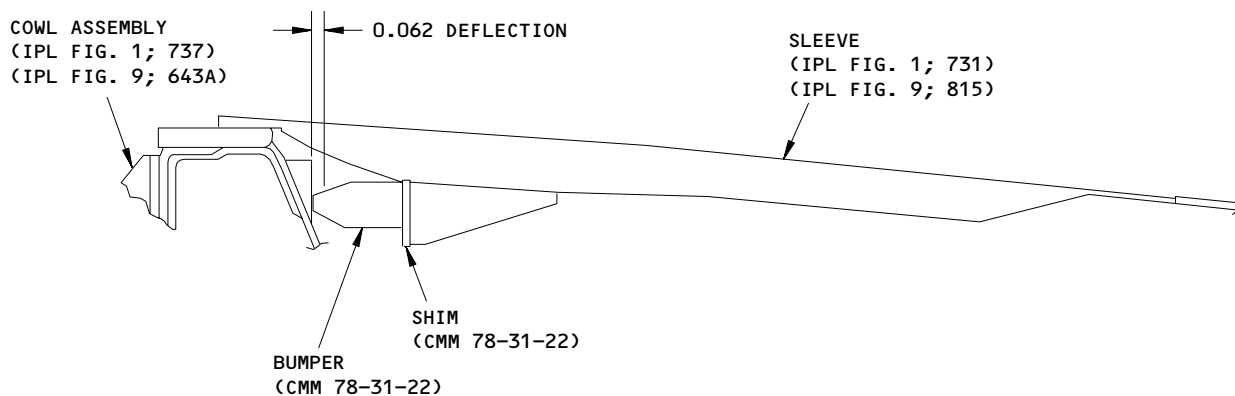
- (c) Adjust washers (242, IPL Fig. 1 and 9) to provide 0.08–0.12 gap between target and auto restow sensor switch as shown in Fig. 706.
- (42) Install target (IPL fig. 5; 215) on crank assembly (IPL Fig. 5; 60) using items (IPL Fig. 5; 185A thru 210).
- (43) Install deploy sensor (185, 188, IPL Fig. 1 and 9) on crank assembly bracket using nut (179, IPL Fig. 1 and 9) and washer (182, IPL Fig. 1 and 9). Lockwire nuts (179, IPL Fig. 1 and 9) at each sensor.
- (44) Make sure deploy sensor does not contact the target.
- (45) Apply decals (251 thru 275, IPL Fig. 1).
- (46) Apply and hold hydraulic pressure while you check the dimension between target and deploy sensor (185) as indicated in Fig. 706. Distance should be 0.030–0.060 inch.
 - (a) If distance is less than 0.030 inch, remove washers (195, IPL Fig. 5) under target (215, IPL Fig. 5).
 - (b) If distance is greater than 0.060 inch:
 - 1) Install washers (195, IPL Fig. 5) under target (215, IPL Fig. 5).
 - (c) Lockwire nut (179, IPL Fig. 1 and 9).
- (47) At right side of cowl assembly, connect wire bundles (50, 55, IPL Fig. 3) to actuator switch installation (326, IPL Fig. 1 , 565, IPL Fig. 9), auto restow sensor (194, IPL Fig. 1 and 9), deploy sensor and actuator unlock sensor (188, IPL Fig. 1 and 9). Secure wire bundle using items (5 thru 35, IPL Fig. 3).
- (48) Connect wire bundle (50) to sync shaft lock (IPL Fig. 2; 220A) for thrust reversers modified by SB 767–78–0061.
- (49) At left side of cowl assembly, connect wire bundles (40, 45 IPL Fig. 3) to actuator switch installation (323, IPL Fig. 1, 562, IPL Fig. 9), auto restow sensor (191, IPL Fig. 1 and 9), deploy sensor and actuator unlock sensor (185, IPL Fig. 1 and 9). Secure wire bundle using items (5 thru 35, IPL Fig. 3) and items for zone ventilation system installation 315T3128 (CMM 71–11–32, 71–11–33).
- (50) Connect wire bundle (40) to sync shaft lock (IPL Fig. 2; 220A) for thrust reversers modified by SB 767–78–0061.

78–31–14

ASSEMBLY
Page 708
Jul 01/04

01.1

- (51) Apply hydraulic power to retract sleeve and check that stroke of bellcrank (60, 65, IPL Fig. 5) is 3.45 to 3.55 inches. Verify operation of sensors (185, 188, 191, 194, IPL Fig. 1 and 9). Operation of thrust reverser sleeve shall be smooth and free from interference.
- (52) Attach hold open rod receiver (584, IPL Fig. 1; 356, IPL Fig. 9) with bolts (581, IPL Fig. 1; 353 IPL Fig. 9).
- (53) Attach hold open rod (590, IPL Fig. 1; 365, IPL Fig. 9) with bolts (566, IPL Fig. 1; 338 IPL Fig. 9), washer (567, IPL Fig. 1; 339, IPL Fig. 9), nut (575, IPL Fig. 1; 347, IPL Fig. 9) and retainer 578, IPL Fig. 1; 350, IPL Fig. 9).
- (54) Attach identification plate (985, IPL Fig. 1; 729, IPL Fig. 9) using rivets (980, IPL Fig. 1; 726, IPL Fig. 9).



SLEEVE SHOWN IN FORWARD STOWED POSITION

ALL DIMENSIONS ARE IN INCHES

Bumper Adjustment
Figure 701

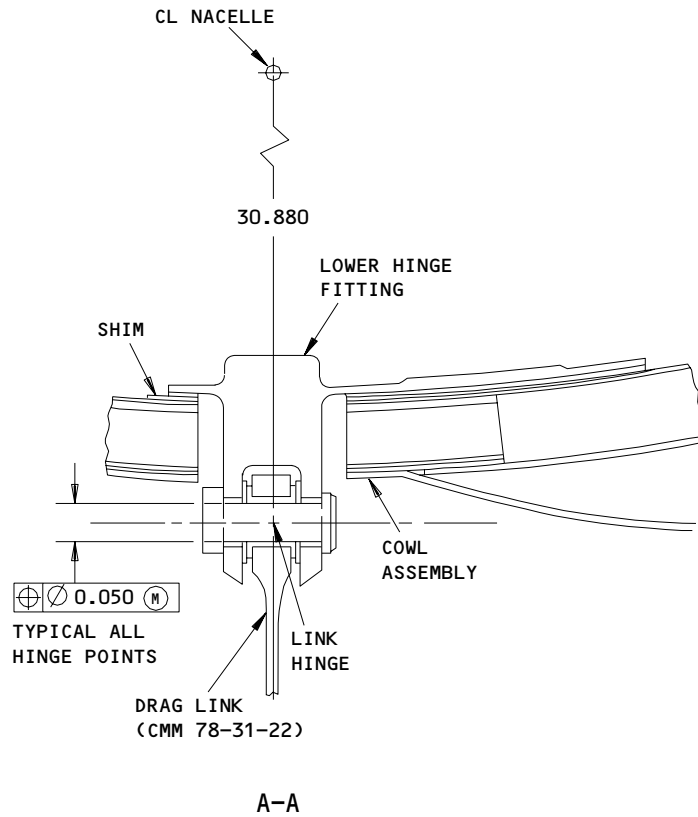
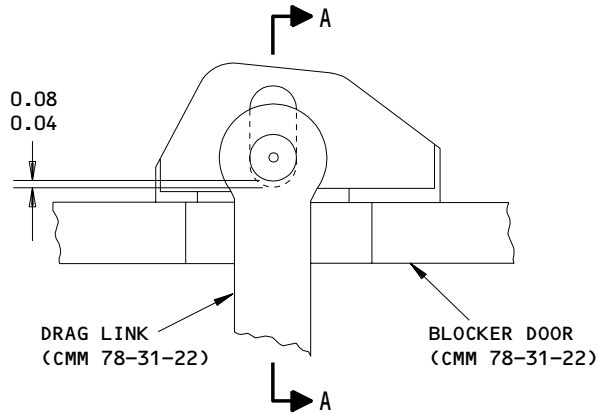
78-31-14

ASSEMBLY
Page 710
Jul 01/04

01.1

015T0438
315T3001
315T4726
315T3055

BOEING
COMPONENT
MAINTENANCE MANUAL



ALL DIMENSIONS ARE IN INCHES

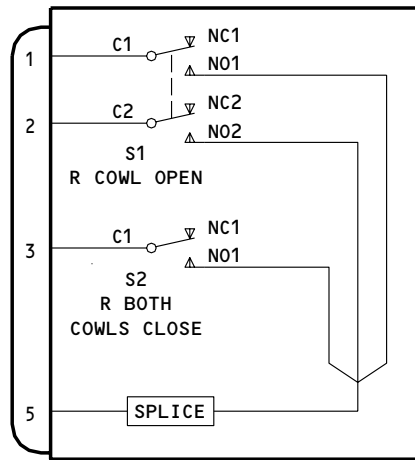
Drag Link Installation
Figure 702

78-31-14

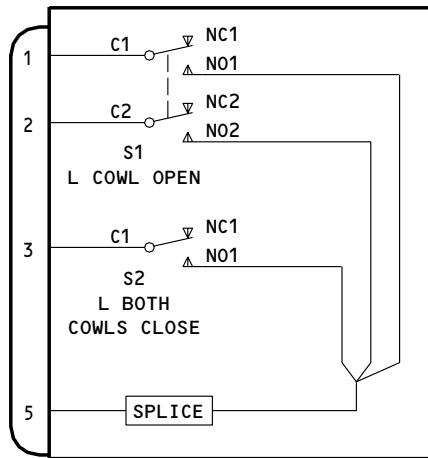
ASSEMBLY
Page 711
Jul 01/04

01.1

169523



RH COWL CONTROL
 315T3655-2



LH COWL CONTROL
 315T3655-5

Switch Connections
 Figure 703

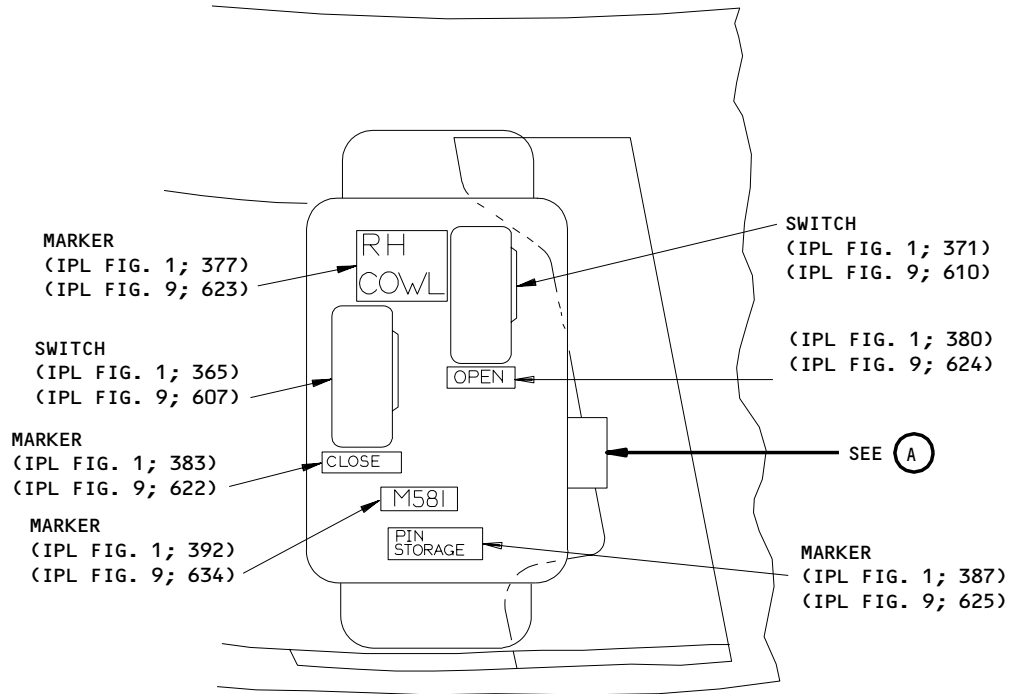
78-31-14

ASSEMBLY
 Page 712
 Jul 01/04

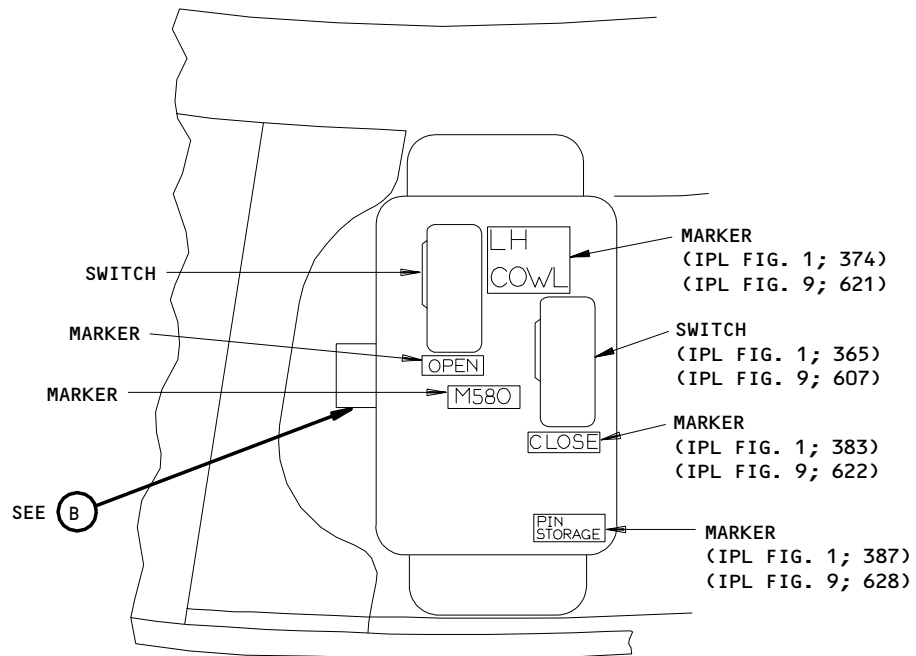
01.1

015T0438
 315T3001
 315T4726
 315T3055

BOEING
 COMPONENT
 MAINTENANCE MANUAL



315T3655-2



315T3655-5

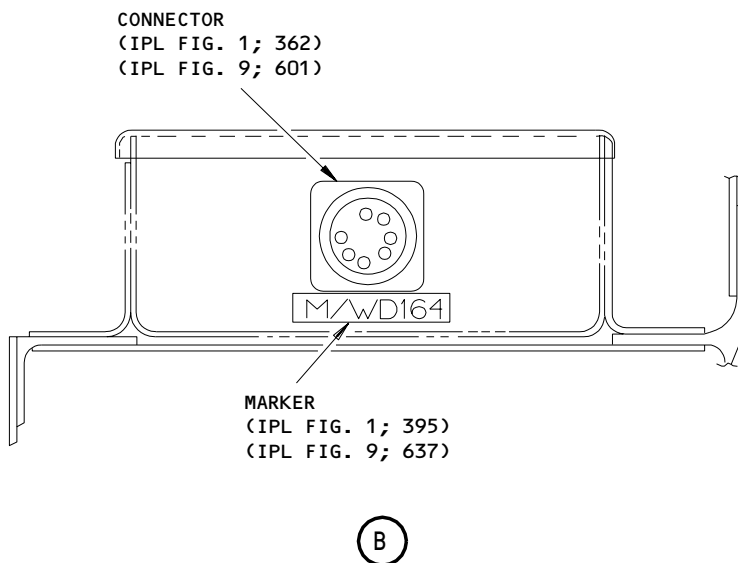
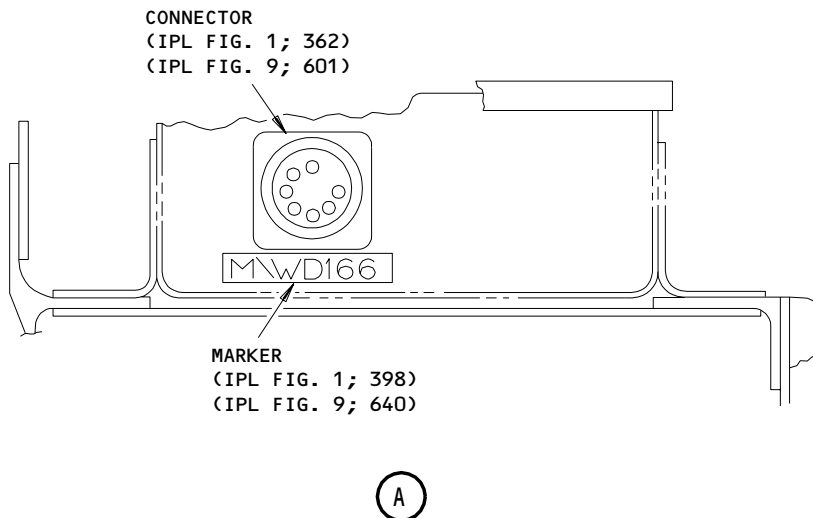
Switch Installation
 Figure 704 (Sheet 1)

78-31-14

ASSEMBLY
 Page 713
 Jul 01/04

01.1

169531



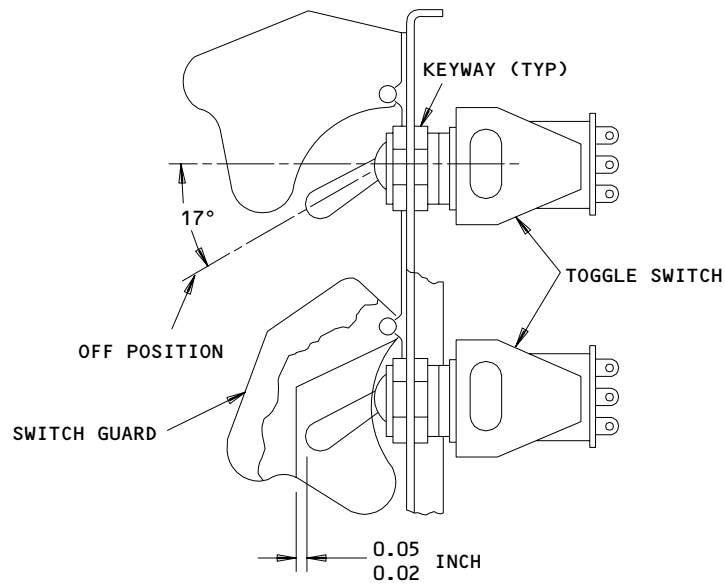
Switch Installation
Figure 704 (Sheet 2)

78-31-14

ASSEMBLY
Page 714
Jul 01/04

01.1

015T0438
315T3001
315T4726
315T3055



TYPICAL SWITCH INSTALLATION

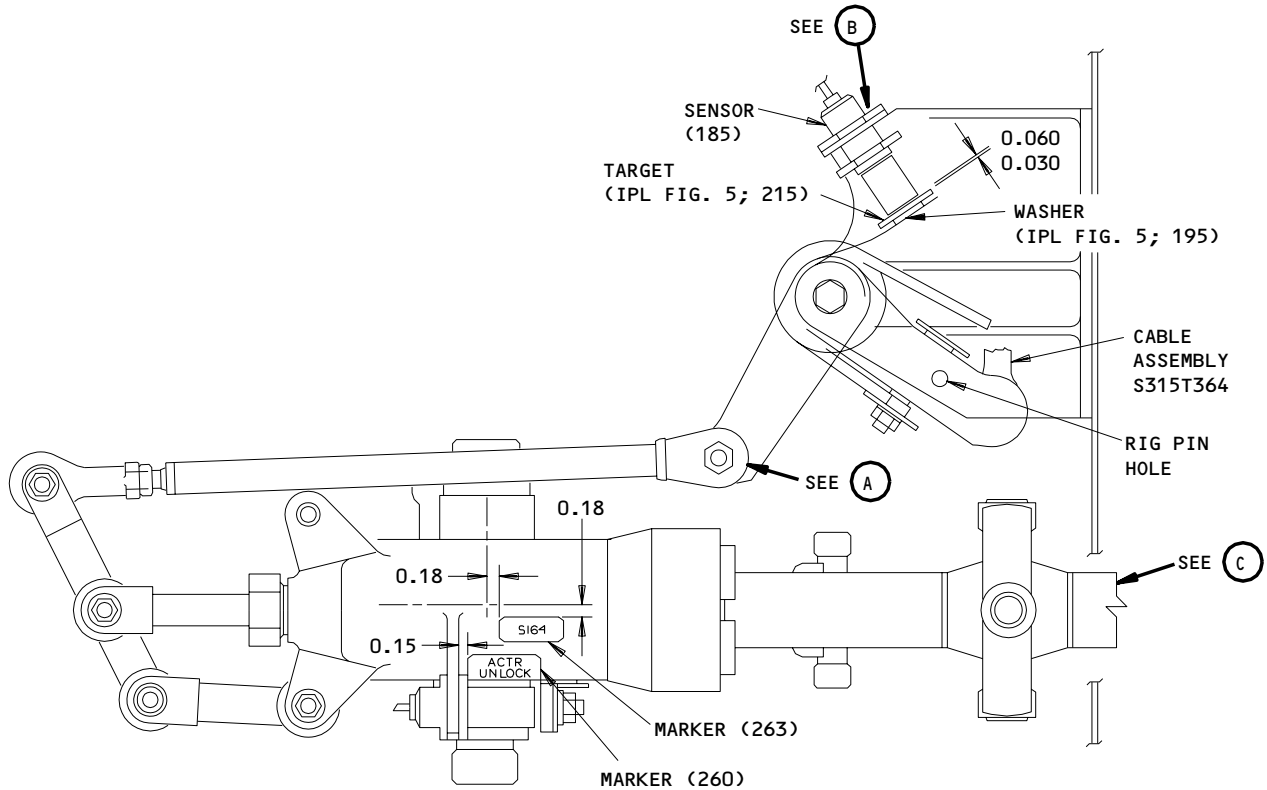
Switch Installation
Figure 705

78-31-14

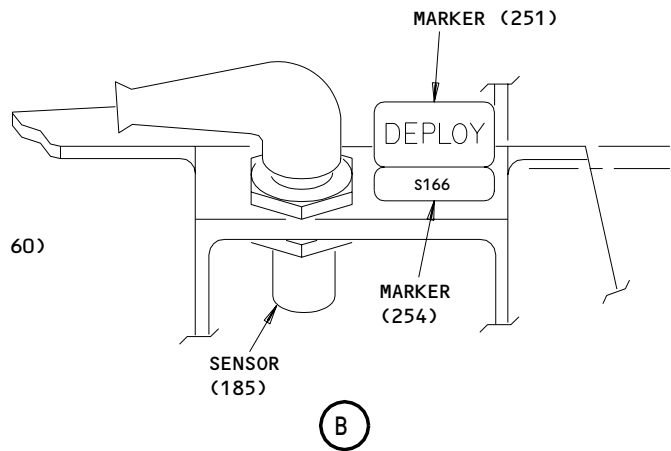
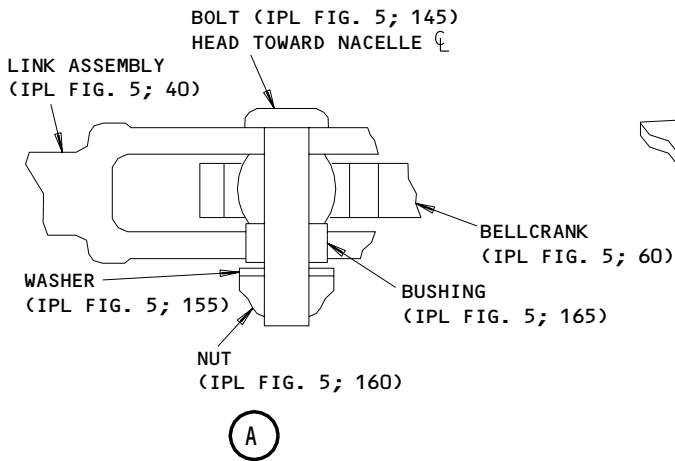
ASSEMBLY
Page 715
Jul 01/04

01.1

169477



315T3703-3 SHOWN



ITEM NUMBERS REFER TO IPL FIG. 1 AND 9
 UNLESS SHOWN DIFFERENTLY

ALL DIMENSIONS ARE IN INCHES

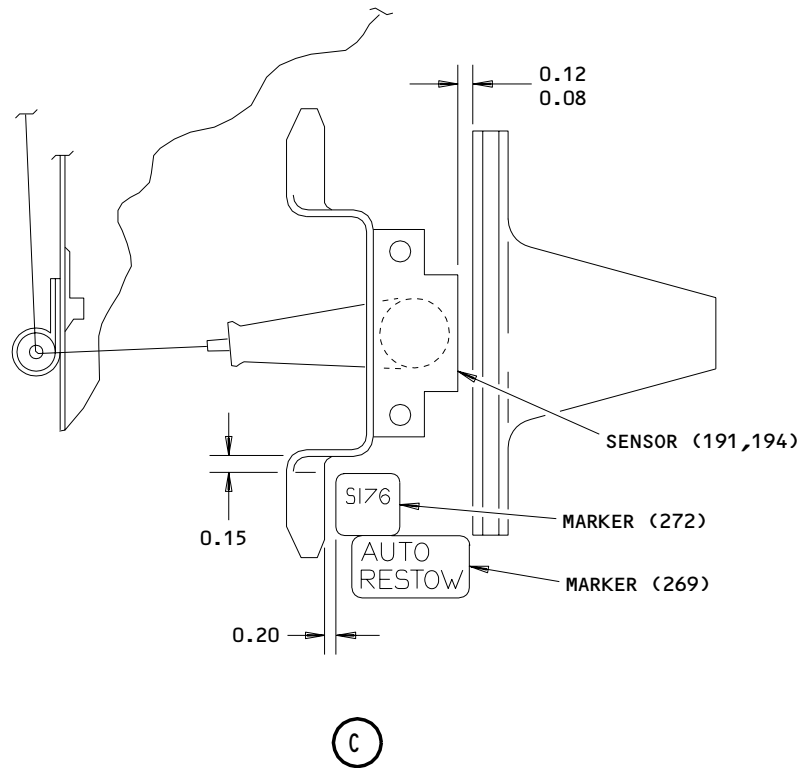
Feedback and Position Indication Installation
 Figure 706 (Sheet 1)

78-31-14

ASSEMBLY
 Page 716
 Jul 01/04

01.1

015T0438
315T3001
315T4726
315T3055



ITEM NUMBERS REFER TO IPL FIG. 1 AND 9
ALL DIMENSIONS ARE IN INCHES

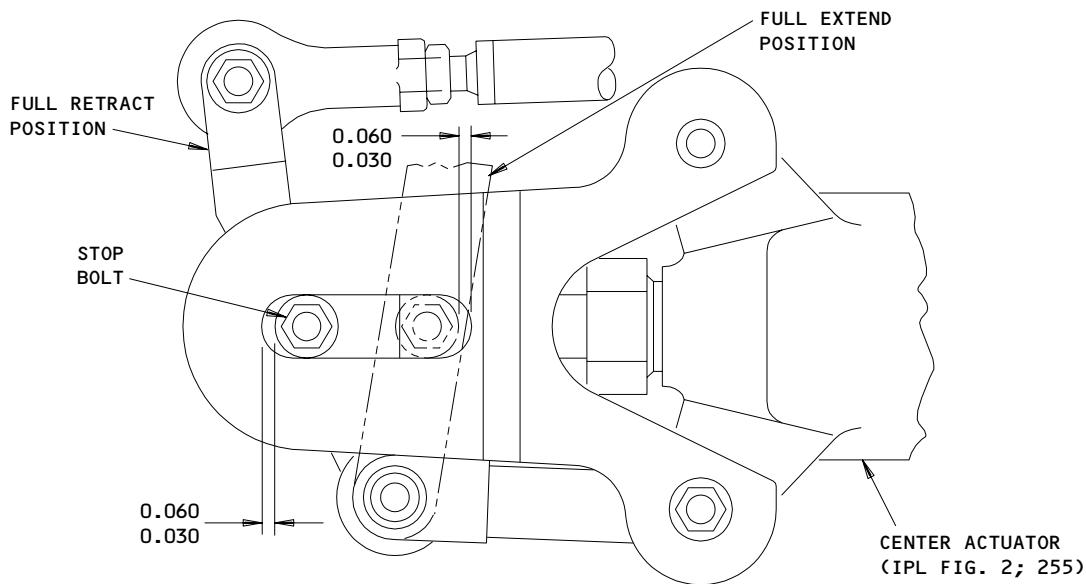
Feedback and Position Indication Installation
Figure 706 (Sheet 2)

78-31-14

ASSEMBLY
Page 717
Jul 01/04

01.1

169480



ALL DIMENSIONS ARE IN INCHES

Locking Actuator Feedback Synchronization Check
Figure 707

78-31-14

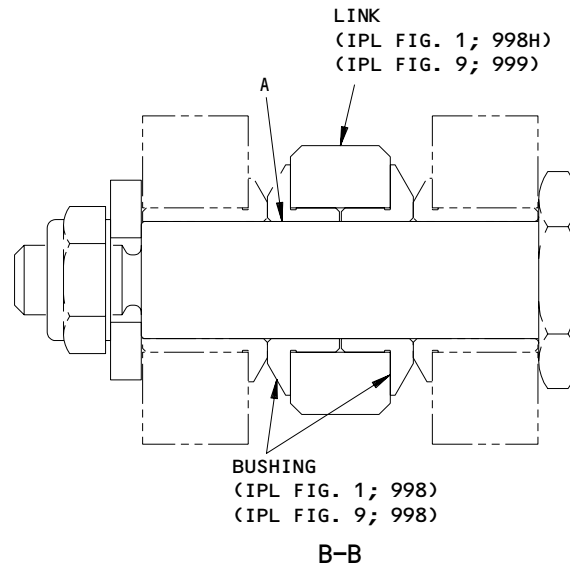
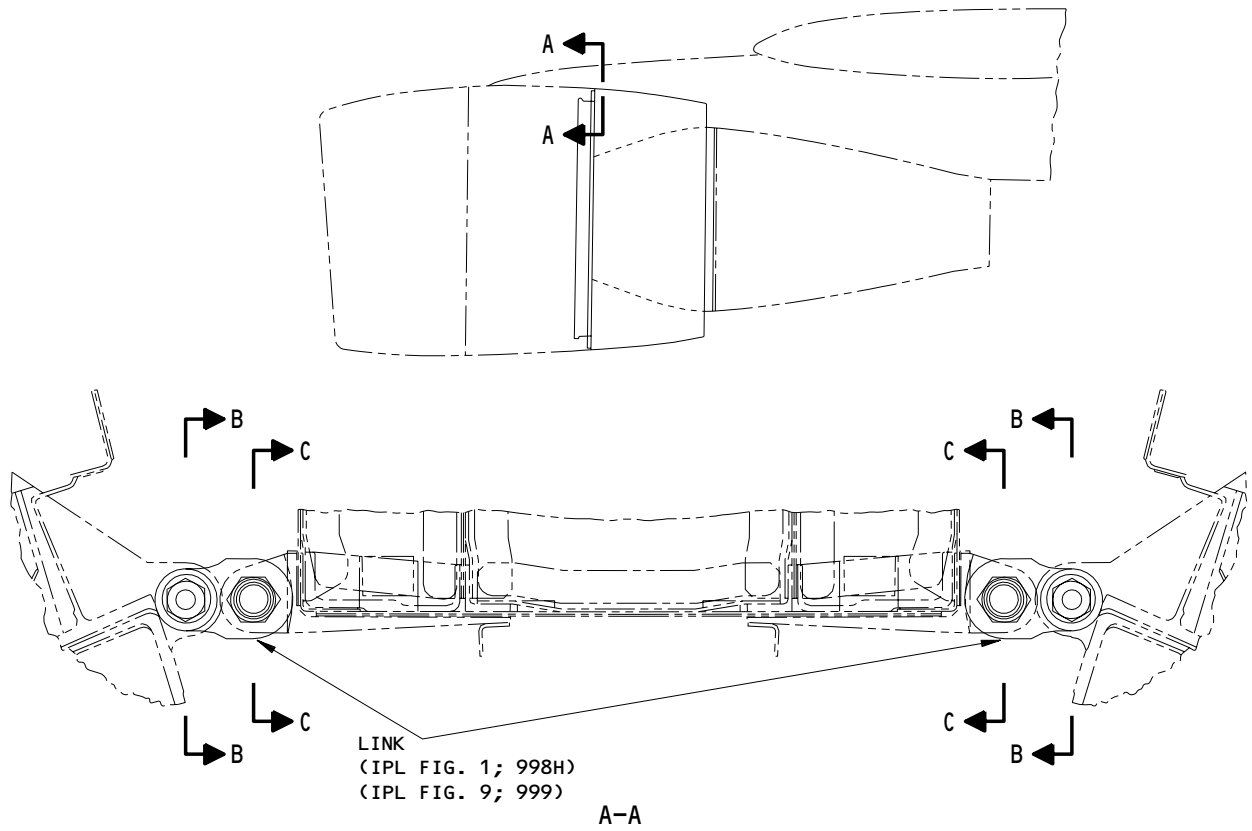
ASSEMBLY
Page 718
Jul 01/04

01.1

015T0438
315T3001
315T4726
315T3055

BOEING
COMPONENT
MAINTENANCE MANUAL

FITS AND CLEARANCES

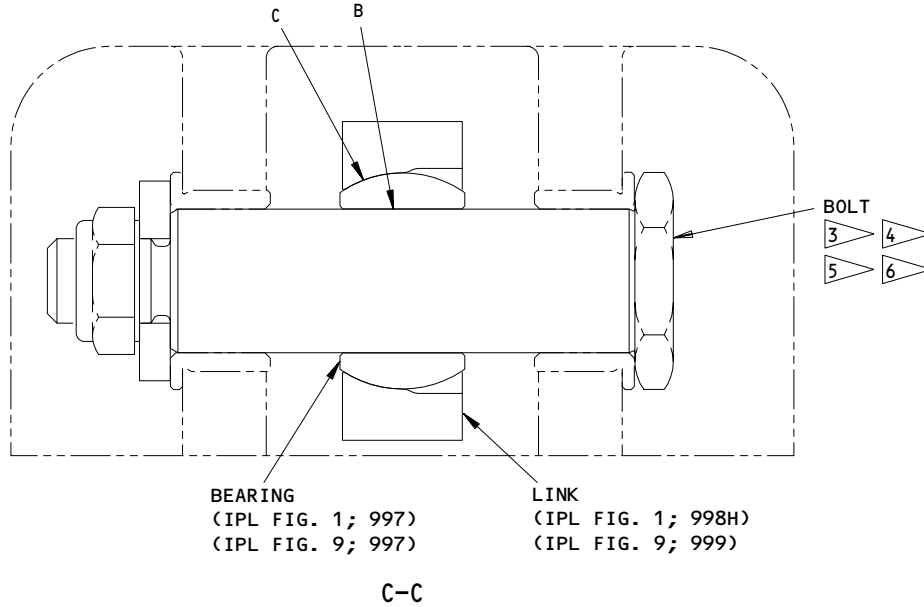


Fits and Clearances
Figure 801 (Sheet 1)

78-31-14

FITS AND CLEARANCES
01.1 Page 801
Jul 01/04

786494



REF LETTER	REF IPL		DESIGN DIMENSION*				SERVICE WEAR LIMIT*		
	FIG. 1, MATING ITEM NO.		DIMENSION		ASSEMBLY CLEARANCE		DIMENSION		MAXIMUM CLEARANCE
			MIN	MAX	MIN	MAX	MIN	MAX	
A	ID	7	0.6242	0.6247	0.0002	0.0012			
	OD	1	0.6235	0.6240					
	ID	7	0.6242	0.6247	0.0012	0.0027			
	OD	2	0.6220	0.6230					
B	ID	8	0.7500	0.7505	0.0010	0.0020			
	OD	3	0.7485	0.7490					
	ID	8	0.7500	0.7505	0.0020	0.0030			
	OD	4	0.7475	0.7480					
C	ID	9	1.1260	1.1265	0.0010	0.0020			
	OD	8	1.1245	1.1250					

* ALL DIMENSIONS ARE IN INCHES

- 1 INSTALLATION BOLT, 315T3010-29 (USED ON 315T3000)
- 2 INSTALLATION BOLT, 315T3010-35 (USED ON 315T4000)
- 3 INSTALLATION BOLT, 315T1010-7 (USED ON 315T3000)
- 4 INSTALLATION BOLT, 315T1010-16 (USED ON 315T3000)
- 5 INSTALLATION BOLT ASSEMBLY, 315T3010-31 (USED ON 315T3000)

- 6 INSTALLATION BOLT, 315T1010-27 (USED ON 315T4000)
- 7 BUSHING (IPL FIG. 1; 998) (IPL FIG. 9; 998)
- 8 BEARING (IPL FIG. 1; 997) (IPL FIG. 9; 997)
- 9 LINK, WITH BEARING RACE (IPL FIG. 1; 998H) (IPL FIG. 9; 999)

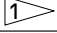
Fits and Clearances
 Figure 801 (Sheet 2)

78-31-14

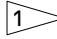
FITS AND CLEARANCES
 01.1 Page 802
 Jul 01/04

015T0438
 315T3001
 315T4726
 315T3055

BOEING
 COMPONENT
 MAINTENANCE MANUAL

REF IPL		NAME	TORQUE*	
FIG. NO.	ITEM NO.		POUND-INCHES	POUND-FEET
1,9	320	DEACTIVATION PIN	120-150	
2	280	NUT	20 	

* REFER TO SOPM 20-50-01 FOR TORQUE VALUES OF STANDARD FASTENERS.

 TIGHTEN NUT TO NEXT CASTELLATION TO ALIGN
 COTTER PIN HOLES

Torque Table
 Figure 802

78-31-14

FITS AND CLEARANCES
 01.1 Page 803
 Jul 01/04

785275

015T0438
315T3001
315T4726
315T3055



SPECIAL TOOLS, FIXTURES AND EQUIPMENT

NOTE: Equivalent substitutes may be used for listed items.

- |1. A71002-48 -- JT9D7R4 Thrust Reverser Sling
- |2. A78010-1 -- Check Fixture, Interlock Bellcrank Spring
- |3. A78011-69 -- Stand Support - Fan Duct Cowl and Thrust Reverser

78-31-14

SPECIAL TOOLS

01.1

Page 901

Jul 01/04

ILLUSTRATED PARTS LIST

1. This section lists and illustrates replaceable or repairable component parts. The Illustrated Parts Catalog contains a complete explanation of the Boeing part numbering system.

2. Indentures show parts relationships as follows:

Assembly

Detail Parts for Assembly

Subassembly

Attaching Parts for Subassembly

Detail Parts for Subassembly

Detail Installation Parts (Included only if installation parts may be returned to shop as part of assembly)

3. One use code letter (A, B, C, etc.) is assigned in the EFF CODE column for each variation of top assembly. All listed parts are used on all top assemblies except when limitations are shown by use code letter opposite individual part entries.

4. Letter suffixes (alpha-variants) are added to item numbers for optional parts, Service Bulletin modification parts, configuration differences (except left- and right-hand parts), product improvement parts, and parts added between two sequential item numbers. The alpha-variant is not shown on illustrations when appearance and location of all variants of the part is the same.

5. Service Bulletin modifications are shown by the notations PRE SB XXXX and POST SB XXX.

A. When a new top assembly part number is assigned by Service Bulletin, the notations appear at the top assembly level only. The configuration difference at detail part level is then shown by use code letter.

B. When the top assembly part number is not changed by the Service Bulletin, the notations appear at the detail part level.

6. Parts Interchangeability

Optional
(OPT)

The parts are optional to and interchangeable with other parts having the same item number.

Supersedes, Superseded By
(SUPSDS, SUPSD BY)

The part supersedes and is not interchangeable with the original part.

Replaces, Replaced By
(REPLS, REPLD BY)

The part replaces and is interchangeable with, or is an alternate to, the original part.

7. BOEING PROPRIETARY COLOR CODED PARTS

Color coded parts are identified with an alpha "SP" suffix. This entry represents consolidation of all color codes applicable for a given usage. Orders for color coded parts should include the registry number of the airplane for which the parts are ordered.

78-31-14

ILLUSTRATED PARTS LIST
01.1 Page 1002
Jul 01/04

VENDORS

K0377 GOODRICH
 STAFFORD ROAD
 FORDHOUSES WOLVERHAMPTON WV10 7EH, UNITED KINGDOM
 FORMERLY LUCAS AEROSPACE AND TRW

K8455 RHP BEARINGS PLC RHP AEROSPACE
 OLDENDS LANE
 STONEHOUSE GL10 3RM UK

OPTK6 SPS TECHNOLOGIES INC AEROSPACE PRODUCTS DIV
 5195 W 4700 SPO BOX 18459
 KEARNS, UTAH 84118

00624 EATON AEROQUIP INC ENGINEERED SYSTEMS DIV
 300 S EAST AVE
 JACKSON, MICHIGAN 49203-1972
 FORMERLY AEROQUIP ELBEE PLANT V99879 OR WESTERN PLANT
 V70128; FORMERLY AEROQUIP AEROSP DIV JACKSON PLANT;
 FORMERLY V11328 AEROQUIP LINAIR DIV

00779 TYCO ELECTRONICS CORP
 2800 FULLING MILL ROAD PO BOX 3608
 MIDDLETOWN, PENNSYLVANIA 17057
 FORMERLY AMP INC; FORMERLY V04618

01673 AIRDROME PRECISION COMPONENTS
 3251 E AIRPORT WAY PO BOX 1867
 LONG BEACH, CALIFORNIA 90806-2407
 FORMERLY AIRDROME PARTS CO

02005 HAYDON SWITCH AND INSTRUMENT, INCORPORATED
 1500 MERIDEN ROAD
 WATERBURY, CONNECTICUT 06705-3910

VENDORS

- 02660 AMPHENOL CORP INDUSTRIAL TECHNOLOGY DIV
358 HALL AVENUE PO BOX 384
WALLINGFORD, CONNECTICUT 06492
FORMERLY BUNKER RAMO CORP, ELTRA CORP AMPHENOL AND
AMPHENOL CORP COMM AND IND DIV
- 02758 NETWORKS ELECTRONIC CORP U S BEARING DIV
9750 DE SOTO AVENUE
CHATSWORTH, CALIFORNIA 91311-4409
FORMERLY U S BEARING DIV NETWORKS ELEC CORP
- 03925 PARKER-HANNIFIN CORP STRATOFLEX AEROSPACE/MILITARY CONN DIV
17671 ARMSTRONG AVENUE PO BOX 16819
IRVINE, CALIFORNIA 92713-6819
FORMERLY IN HAWTHORNE AND SANTA ANA, CALIFORNIA
FORMERLY STRATOFLEX INCORPORATED
- 06090 TYCO ELECTRONICS/RAYCHEM
300 CONSTITUTION DRIVE
MENLO PARK, CALIFORNIA 94025
FORMERLY RAYCLAD TUBES V08795;FORMERLY RAYCHEM CORP
- 06144 INDUSTRIAL TECTONICS BEARING CORP
18301 SOUTH SANTA FE AVENUE
RANCHO DOMINGUEZ, CALIFORNIA 90221
FORMERLY IN COMPTON, CALIFORNIA
- 06710 LAMSON AND SESSIONS CO THE VALLEY-TODECO
12975 BRADLEY AVENUE
SYLMAR, CALIFORNIA 91342-3830
FORMERLY VALLEY BOLT CORP VB0097 IN NORTH HOLLYWOOD, CA
- 06725 AIR INDUSTRIES CORPORATION
12570 KNOTT STREET
GARDEN GROVE, CALIFORNIA 92641-3932
FORMERLY AIR INDUSTRIES OF CALIF IN GARDENA, CALIF.

78-31-14

ILLUSTRATED PARTS LIST
01.1 Page 1004
Jul 01/04

VENDORS

06851 RESISTOFLEX CORP WESTERN DIV SEE RESISTOFLEX DIV OF
UNIDYNAMICS CORP V50599

06950 SCREWCORP VSI AEROSPACE PRODUCTS DIV FAIRCHILD IND DIV
13001 EAST TEMPLE AVENUE PO BOX 730
CITY OF INDUSTRY, CALIFORNIA 91746-1417
FORMERLY VB0096 AND VSI CORP SCREWCORP DIV
FORMERLY IN CULVER CITY, CALIFORNIA

07707 POP FASTENERS A BLACK & DECKER CO
510 RIVER ROAD
SHELTON, CONNECTICUT 06484-4517
FORMERLY VB0113, FORMERLY UNITED SHOE MFG CORP FASTENER DIV
FORMERLY USM CORP USM FASTENER DIV

08199 SIERRACIN-HARRISON
3020 EMPIRE AVENUE
BURBANK, CALIFORNIA 91504-3109
FORMERLY TECHNICAL IND INC OR HARRISON MFG CO DIV AXIAL CORP

08524 DEUTSCH FASTENER CORP SEE CODE V97928

08748 CRANE ELDEC CORP
16700 13TH AVE WEST
LYNNWOOD, WASHINGTON 98036
FORMERLY VB0043; FORMERLY ELECTRO DEVELOPMENT CORP;
FORMERLY ELDEC CORP.

08844 NORCO, INCORPORATED
139 ETHAN ALLEN HIGHWAY
RIDGEFIELD, CONNECTICUT 06877

11328 AEROQUIP SEE EATON AEROQUIP V00624

78-31-14

ILLUSTRATED PARTS LIST
01.1 Page 1005
Jul 01/04

VENDORS

- 11815 CHERRY AEROSPACE FASTENERS DIV OF TEXTRON
1224 EAST WARNER AVENUE PO BOX 2157
SANTA ANA, CALIFORNIA 92707-0157
FORMERLY IN LOS ANGELES, CALIF , FORMERLY CHERRY FASTENERS
TOWNSEND DIV OF TEXTRON INC V71087
- 13556 LABINAL COMPONENTS AND SYS CINCH MILITARY AEROSPACE DIV
8821 SCIENCE CENTER DRIVE
MINNEAPOLIS, MINNESOTA 55428-3619
FORMERLY TRW CINCH MFG CO, FORMERLY IN NEW HOPE, MINNESOTA
FORMERLY CINCH CYLINDRICAL DIV OF LABINAL COMP & SYS
- 14242 VOSS INDUSTRIES INC
2168 WEST 25TH STREET
CLEVELAND, OHIO 44113-4115
- 14397 FABER ENTERPRISES, INCORPORATED
6606 VARIEL AVE
CANOGA PARK, CALIFORNIA 91303-2808
- 14798 DEUTSCH CO METAL COMPONENTS DIV
14800 SOUTH FIGUEROA STREET
GARDENA, CALIFORNIA 90248-1719
FORMERLY WEATHERHEAD V79470 FOR AEROSPACE PRODUCTS
- 15653 FAIRCHILD FASTENERS KAYNAR PRODUCTS DIV
800 S STATE COLLEGE BLVD
FULLERTON, CALIFORNIA 92831-3001
FORMERLY VK6405 MICRODOT AEROSP LTD; FORMERLY KAYNAR TECH
KAYNAR DIV
- 16258 SPACE-LOK INC
13306 HALLDALE AVE
GARDENA, CALIFORNIA 90249-2204
FORMERLY V05704 ALAC INC
FORMERLY IN BURBANK, CA
- 17446 HUCK INTL INC AEROSPACE FASTENER DIV
900 WATSON CENTER ROAD
CARSON, CALIFORNIA 90745-4201
FORMERLY V32134 REXNORD INC; FORMERLY V97928 HUCK INTL

78-31-14

ILLUSTRATED PARTS LIST
01.1 Page 1006
Jul 01/04

VENDORS

18076 UMPCO, INCORPORATED
7100 LAMPSON AVENUE PO BOX 5158
GARDEN GROVE, CALIFORNIA 92645
FORMERLY IN CITY OF INDUSTRY, CALIFORNIA

21335 TORRINGTON CO FAFNIR BEARING DIV
59 FIELD STREET
TORRINGTON, CONNECTICUT 06790-1008
FORMERLY FAFNIR BRG AND TEXTRON INC FAFNIR DIV IN
NEW BRITAIN, CONNECTICUT

21760 SCHATZ MANUFACTURING CO
FAIRVIEW AVENUE PO BOX 1191
POUGHKEEPSIE, NEW YORK 12601
FORMERLY FEDERAL BRG CO AND SCHATZ MFG CO V53268
FORMERLY SCHATZ MFG CO

22175 J AND M PRODUCTS INC.
1647 TRUMAN STREET
SAN FERNANDO, CALIFORNIA 91340
FORMERLY IN ANAHUM CALIFORNIA AND BURBANK

30163 VALENTEC DAYRON INC
333 MAGUIRE BLVD PO BOX 140394
ORLANDO, FLORIDA 32814-0394

30974 AEROFIT PRODUCTS INC
6460 DALE STREET
BUENA PARK, CALIFORNIA 90621-3115

38443 MRC BEARINGS
402 CHANDLER STREET
JAMESTOWN, NEW YORK 14701-3802
FORMERLY MARLIN-ROCKWELL CORP DIV TRW AND TRW INC

40920 MPB MINIATURE PRECISION BEARING DIV
PRECISION PARK PO BOX 547
KEENE, NEW HAMPSHIRE 03431
FORMERLY MPB CORP AND MINIATURE BRG DIV MPB CORP

41118 RMS COMPANY
8600 EVERGREEN BLVD
COON RAPIDS, MINNESOTA 55433-6036

78-31-14

VENDORS

43991 FAG BEARING INCORPORATED
118 HAMILTON AVENUE
STAMFORD, CONNECTICUT 06904
FORMERLY NORMA-HOFFMAN BEARING CORPORATION
FORMERLY NORMA FAG BEARINGS CORPORATION

49367 SEE V14283 AMPHENOL CORP.

5M902 FAIRCHILD IND INC FAIRCHILD AEROSPACE FASTENER DIV
3016 W LOMITA BLVD
TORRANCE, CALIFORNIA 90505-5103
FMLY IN REDONDO BEACH, CALIF

50599 CRANE RESISTOFLEX COMPANY
2575 WEST 5TH STREET
JACKSONVILLE, FLORIDA 22205
FORMERLY RESISTOFLEX DIV OF UNIDYNAMICS

50632 KAMATICS CORP SUB OF KAMAN CORP
1335 BLUE HILLS ROAD
BLOOMFIELD, CONNECTICUT 06002-1304

50808 UNITED SUPPLY CO INC
3676 S BROADWAY PLACE
LOS ANGELES, CALIFORNIA 90007-4432

50948 PARKER-HANNIFIN CORP HUNTSVILLE AIRCRAFT FACILITY
9400 SOUTH MEMORIAL PARKWAY
HUNTSVILLE, ALABAMA 35802
FORMERLY PARKER-HANNIFIN CORP TUBE FITTINGS DIV

52828 REPUBLIC FASTENER MFG CORP
1300 RANCHO CONEJO BLVD
NEWBURY PARK, CALIFORNIA 91320-1405
FORMERLY IN SYLMAR, CALIFORNIA

78-31-14

VENDORS

56878 SPS TECHNOLOGIES INC AEROSPACE AND INDUSTRIAL PRODUCTS DIV
301 HIGHLAND AVE
JENKINTOWN, PENNSYLVANIA 19046
FORMERLY STANDARD PRESSED STEEL

57606 REXNORD CORP PSI BEARINGS DIV
2175 UNION PL
SIMI VALLEY, CALIFORNIA 93065-1661
FORMERLY PSI BEARINGS

60119 MONADNOCK CO THE
18301 ARENTH AVENUE PO BOX 1222
CITY OF INDUSTRY, CALIFORNIA 91749
FORMERLY UNITED CARR FASTENER CORP VB0051 VB0056 VB0076
FORMERLY TRW ELECTRONIC COMPONENTS CINCH-MONADNOCK DIV
FORMERLY CINCH-MONADNOCK DIV OF TRW INC V76530

60516 WEST COAST AEROSPACE INC
812 MIRAFLORES STREET
SAN PEDRO, CALIFORNIA 90731-1439

61498 SEE CODE V14798

71087 BOOTS ACFT NUT DIV TOWNSEND CO SEE TEXTRON INC CHERRY
FASTENER TOWNSEND DIV V11815

72962 HARVARD INDUSTRIES INC
3 WERNER WAY SUITE 210
LEBANON, NEW JERSEY 08833
FORMERLY AMERACE CORP ESNA DIV
FORMERLY ELASTIC STOP NUT IN UNION, NJ

73197 HI-SHEAR TECHNOLOGY CORP
2600 SKYPARK DRIVE
TORRANCE, CALIFORNIA 90509

78-31-14

VENDORS

76530 CINCH-MONADNOCK DIV TRW SEE TRW ELECTRONIC COMP
MONADNOCK MILLS SEE CINCH-MONADNOCK DIV OF UNITED CARR
TRW INC TRW ELECTRONIC COMPONENTS CINCH-MONADNOCK DIV SEE
MONADNOCK CO THE V60119

78570 TITFLEX CORP SUB OF BUNDY CORP
603 HENDEE STREET PO BOX 90054
SPRINGFIELD, MASSACHUSETTS 01139

80539 SPS TECHNOLOGIES INC AEROSPACE PRODUCTS DIV
2701 SOUTH HARBOR BOULEVARD PO BOX 1259
SANTA ANA, CALIFORNIA 92702-1259
FORMERLY NUTT-SHEL DIV OF SPC WESTERN CO V80539
AND STANDARD PRESSED STEEL WESTERN DIV V17279

83014 HARTWELL CORPORATION
900 SOUTH RICHFIELD ROAD
PLACENTIA, CALIFORNIA 92670-6732
FORMERLY V0532B IN LOS ANGELES, CALIFORNIA

83086 NEW HAMPSHIRE BALL BEARING, INC HITECH DIVISION
172 JAFFREY ROAD
PETERBOROUGH, NEW HAMPSHIRE 03458

83930 ADEL WIGGINS GROUP
5000 TRIGGS STREET
LOS ANGELES, CALIFORNIA 90022
FORMERLY ADEL PROD DIV OF DELAVAL TURBINE CALIF INC;
FORMERLY EXACTO IND V72285; FORMERLY DELAVAL ADEL FSTN DIV
FORMERLY TRANSAMERICA DELAVAL ADEL FTNRS DIV; FORMERLY IMO
DELAVAL IN HUNTINGTON, WV

84256 AVIBANK MANUFACTURING COMPANY
210 SOUTH VICTORY BLVD PO BOX 391
BURBANK, CALIFORNIA 91503
FORMERLY AVDEL INC AND ROWE SALES CO VB0001
FORMERLY PRICE, D.W. CORP LOS ANGELES, CALIFORNIA V97978

78-31-14

ILLUSTRATED PARTS LIST
01.1 Page 1010
Jul 01/04

VENDORS

84971 TA MFG CO SUB OF ESTERLINE
28065 W FRANKLIN PKY
VALENCIA, CALIFORNIA 91355
FORMERLY IN LA, CALIF; SUB OF CRITON CORP, GLENDALE, CALIF

88334 WEATHERHEAD GLENDALE,CALIF SEE WEATHERHEAD CLEVELAND V79470

92215 FAIRCHILD IND INC FAIRCHILD AEROSPACE FASTENER DIV
3010 W LOMITA BLVD
TORRANCE, CALIFORNIA 90505-5102
FORMERLY VOI-SHAN IN CULVER CITY, CALIF

93835 PARKER HANNIFIN CORP ABEX DIV
2220 PALMER AVENUE
KALAMAZOO, MICHIGAN 49001
FORMERLY NATIONAL WATERLIFE CO; FORMERLY PNEUMO CORP.;
FORMERLY NWL CONTROLS; FORMERLY ABEX NWL AEROSPACE

94581 NATIONAL UTILITIES CORP/NUCO
1700 HICKORY DRIVE PO BOX 14639
FORT WORTH, TEXAS 76117-6020
FORMERLY IN MONROVIA, CALIFORNIA; FORMERLY V2D588

97928 SEE V17446 HUCK INTL
HUCK INTL SEE V17446 HUCK INTL
SEE V17446 HUCK INTL

98391 ARKWIN INDUSTRIES INC
686 MAIN STREET
WESTBURY, NEW YORK, 11590-5018

98625 AEROQUIP CORP AEROSPACE DIV MARMON PLANT SEE AEROQUIP
CORP AEROSPACE DIV V00624

99862 CARR LANE MANUFACTURING COMPANY
4200 CARR LANE CT
ST. LOUIS, MISSOURI 63119-2129

78-31-14

REFERENCE DESIGNATOR INDEX (SEE SCHEMATIC DIAGRAM)		
REFERENCE DESIGNATOR	PART NUMBER	FIG-ITEM
S1	65407	10-20
S2	65408	15
S164	8-348-02	1-185
S164	8-348-02	9-185
S165	8-348-02	1-188
S165	8-348-02	9-188
S166	8-348-02	1-185
S166	8-348-02	9-185
S167	8-348-02	1-188
S167	8-348-02	9-188
S176	8-344-03	1-191
S176	8-344-03	9-191
S177	8-344-03	1-194
S177	8-344-03	9-194

78-31-14

015T0438
 315T3001
 315T4726
 315T3055

 **BOEING**
 COMPONENT
 MAINTENANCE MANUAL

PART NUMBER	AIRLINE PART NO.	FIG.	ITEM	TTL REQ
AE2463835E0152		15	40	1
AE2463835E0160		15	35	1
		15	40A	1
AFP107-6		2	305	1
		2	325	4
		2	355	4
AFP175V04		15	75	2
AFP175V06		2	168	6
		2	295	1
		2	320	4
		2	350	4
AFP238-0405J		15	55	1
AFP238-0806J		2	185	1
AFP241-06J		2	210	1
AFP241-12J		2	215	1
AFP334-0404M		15	70	1
AFP344-0404M		15	70	1
AFP941H6		2	300	1
AN3053-4		1	203	1
		9	203	1
AN3054-4		1	206	1
		9	206	1
AN3055-12-4		1	209	1
		9	209	1
AN416-1		7	5	1
AN525-10R6		1	344	4
		9	583	4
		10	25	4
AN742D4		1	221	1
		9	221	1
AN743-12		3	25	24
AN924-4J		15	85	1
AN924-8J		2	195	1
AN960-10		1	710	4
		5	205	1
		9	488	4
AN960-10L		1	214A	1
		1	215A	1
		9	214	1
		9	216	1

78-31-14

ILLUSTRATED PARTS LIST
 01.1 Page 1013
 Jul 01/04

PART NUMBER	AIRLINE PART NO.	FIG.	ITEM	TTL REQ
AN960-416		5	155	2
AN960-516		2	270	6
AN960-8L		1	629	6
		9	404	6
AN960C10L		1	614	11
AN960C10L		9	389	11
		15	15	6
AN960C11		7	30	1
		9	664Q	3
AN960C416		15	100	2
AN960C516		1	567	2
		9	339	1
AN960C716		15	90	2
AN960KD10L		9	613G	4
		10	65	4
		15	280	2
AN960PD10		1	242	2
		2	30	18
		2	35	16
		3	20	3
		9	242	2
AN960PD10L		1	239	2
		1	242A	2
		3	15	38
		9	239	2
		9	242A	2
AN960PD1216		2	190	2
AN960PD416L		5	195	1
AN960XC4L		1	356	4
		9	595	4
		10	45	4
APX832-0405J		15	55	1
APX832-0806J		2	185	1
APX832J0806		2	185	1
APX932J0405		15	55	1
AP1004H06		2	300	1
AP1008-06J		2	210	1
AP1008-12J		2	215	1
AP1010-0404M		15	70	1
AP1010JM0404M		15	70	1
AP1028T6		2	305	1
		2	325	4
		2	355	4

78-31-14

 ILLUSTRATED PARTS LIST
 01.1 Page 1014
 Jul 01/04

015T0438
 315T3001
 315T4726
 315T3055

 **BOEING**
 COMPONENT
 MAINTENANCE MANUAL

PART NUMBER	AIRLINE PART NO.	FIG.	ITEM	TTL REQ
AP2097-04H		15	75	2
AP2097-06H		2	168	6
		2	295	1
		2	320	4
		2	350	4
AS119G0151DDN		2	200	1
AS119G0181CCN		2	205	1
AS152G0151DDN		2	200	1
AS152G0181CCN		2	205	1
A2724-3		1	590	1
		8	55	1
		9	365	1
A6501-3		1	590G	1
		9	365G	1
BACB10BX4		5	70	1
		5	255	1
BACB28AK04-020		5	165	1
BACB28AK04-053		5	245	1
BACB28AK05-036		1	572	1
		9	344	1
BACB28AK05-038		2	275	3
BACB28AP04P012		5	75	1
BACB28AP06P012		5	80	1
BACB28X7M020		1	569	1
		9	341	1
BACB30FM8A11		5	145	1
BACB30FN5A4		1	626	6
		9	401	6
BACB30LE4-10		5	140	1
BACB30LE4-58		5	220	1
BACB30LJ3-7		1	26	2
		1	95	2
		4	30	2
		9	26	2
		9	95	2

78-31-14

ILLUSTRATED PARTS LIST
 01.1 Page 1015
 Jul 01/04

PART NUMBER	AIRLINE PART NO.	FIG.	ITEM	TTL REQ
BACB30LJ5-18		1	566	1
		9	338	1
BACB30LK3-2		9	613A	4
		10	60	4
		15	275	2
BACB30LL3-3		1	29	4
		1	65	4
		1	98	4
		1	140	4
		4	35	4
		9	29A	4
		9	65	4
		9	98	4
		9	140	4
BACB30LL3-4		4	125	2
BACB30LM3-22		2	20	18
		2	25	16
BACB30LM4-4		1	581	2
		9	353	2
BACB30LU3-21		5	185A	1
BACB30MY5K3		6	25	4
BACB30MY6K3		6	45	4
BACB30MY6K3X		6	45A	2
BACB30MY6K4		15	115	4
BACB30NM4K15		15	95	2
BACB30NN4K2		1	47	2
		1	125	2
		9	47	2
		9	125	2
BACB30NN4K3		1	32	6
		1	50	7
		1	101	4
		1	115	3
		1	128	6
		9	32	6
		9	50	7
		9	101	4
		9	115	3
		9	128	6

78-31-14

 ILLUSTRATED PARTS LIST
 01.1 Page 1016
 Jul 01/04

015T0438
 315T3001
 315T4726
 315T3055

 **BOEING**
 COMPONENT
 MAINTENANCE MANUAL

PART NUMBER	AIRLINE PART NO.	FIG.	ITEM	TTL REQ
BACB30NR4DK21		9	734	5
		9	752	1
BACB30NT3K2		8	5	2
BACB30NX6K6		5	85	1
BACB30NX8K20		9	711	2
BACB30NX8K25		1	695	1
		9	708	1
BACB30NY8K20		1	698	2
BACB30NY8K22		1	665	20
		9	678	20
BACB30VF3K12		1	305B	4
		9	305	4
BACB30VF4K12		1	284B	2
		9	284	2
BACB30VF4K2		4	10A	3
BACB30VF4K3		4	15A	5
		4	40A	4
		4	105A	2
BACC10BN275LM		2	216	1
BACC10GE4		15	25	6
BACC10GT2-04P		15	30	6
BACC10GU		3	35	38
BACC13Y3A30		7	15	1
BACC13Y3B42		8	30	1
BACC14AD06J		2	210	1
BACC14AD12J		2	215	1
BACC30M5		1	632	6
		6	30	4
		9	407	6
BACC30M6		6	50	3
		6	50A	2
		15	120	4

78-31-14

ILLUSTRATED PARTS LIST
 01.1 Page 1017
 Jul 01/04

PART NUMBER	AIRLINE PART NO.	FIG.	ITEM	TTL REQ
BACC30M8		1	668	20
		1	701	3
		9	681	20
BACC30X6SW		9	714	2
		5	100	1
BACC45FM14-7P		1	362	1
		9	601	1
		10	55	1
BACE21AU0606		2	170	1
BACE21AW0404M		15	70	1
BACF22U2		7	10	2
		8	35	1
BACH6P0151DDN		2	200	1
BACH6P0181CCN		2	205	1
BACN10CS06J		2	169	6
BACN10GW3		1	245	2
		9	245	2
BACN10JC3		1	218	1
		3	30	41
		9	218	1
		15	20	6
BACN10JC3CD		8	10	2
BACN10JC3CM		1	719	4
		2	50	16
		2	55	14
		5	210	1
		7	40	1
		9	497	4
		9	665J	1
BACN10JD105		2	280	3
BACN10JD4AU		9	740	5
		9	758A	1
BACN10JN3		1	311	4
		9	311	4
BACN10JN4		1	290	2
		9	290	2
BACN10JR3CFM		1	56	4
		1	119	4
		4	75	4
		4	135	2
		9	56	4
		9	119	4

78-31-14

 ILLUSTRATED PARTS LIST
 01.1 Page 1018
 Jul 01/04

015T0438
 315T3001
 315T4726
 315T3055

 **BOEING**
 COMPONENT
 MAINTENANCE MANUAL

PART NUMBER	AIRLINE PART NO.	FIG.	ITEM	TTL REQ
BACN10JR4CFM		1	59	7
		1	122	7
		4	80	4
		4	140	2
		9	59	7
		9	122	7
BACN10KB3CFD		10	80	4
BACN10KJ3		9	614G	4
		10	115	4
BACN10NR6		2	305	1
		2	325	4
		2	355	4
BACN10XP1		1	359	4
		9	598	4
		10	50	4
BACP18AN3-22		9	664D	1
BACR15BA3AD		1	53	22
		1	116	22
		1	287	4
		1	308	8
		9	53	22
		9	116	22
		9	287	4
		9	308	8
		10	75	8
BACR15BA3AD2		4	70	16
		4	130	8
BACR15BA5AD		1	35	2
		1	104	2
		4	50	2
		4	185	12
		9	35	2
		9	104	2
		10	120	4
		15	285	4
BACR15BA5B		1	72	11
		1	77	11
BACR15BA5B		1	152	11
		4	200	12
		9	72	11
		9	77	11
		9	152	11

78-31-14

ILLUSTRATED PARTS LIST
 01.1 Page 1019
 Jul 01/04

PART NUMBER	AIRLINE PART NO.	FIG.	ITEM	TTL REQ
BACR15BB3AD		1	980	4
		5	45	4
		5	280	2
		9	614	8
		9	726	4
		10	110	8
BACR15BB4AD		9	616B	4
		10	140	4
BACR15BB5AD		1	38	4
		1	107	4
		9	38	4
		9	107	4
		15	130	2
		15	140	6
		15	195	2
		15	215	9
		15	250	10
		15	250	10
BACR15BB5AD3		4	55	6
BACR15BB6AD		15	165	2
		15	180	2
BACR15FT6KE		15	210	9
		15	245	9
BACS12BP3AP9		1	653	5
		1	680	1
		9	666	5
		9	693	1
BACS12CB04-5		10	40	4
BACS12CK3-7		1	197	2
		9	197	2
BACS13BX04H		15	75	2
BACS13BX06H		2	168	6
		2	295	1
		2	320	4
		2	350	4

78-31-14

 ILLUSTRATED PARTS LIST
 01.1 Page 1020
 Jul 01/04

015T0438
 315T3001
 315T4726
 315T3055

 **BOEING**
 COMPONENT
 MAINTENANCE MANUAL

PART NUMBER	AIRLINE PART NO.	FIG.	ITEM	TTL REQ
BACS40R008C047F		1	102	1
		9	102	1
BACS40R011B017F		5	290	1
BACS40R08C48F		4	45	1
BACS40R12C26F		4	110	1
BACS40R13D52F		1	676	5
		9	690	5
BACS40R6F22F		2	100	4
		2	110	3
BACS40R6F24F		2	125	2
BACS40R6F34F		2	140	1
BACS40R6F44F		2	70	2
BACT11SH18F		2	285	4
BACT12C		10	95	1
BACT16BR060606J		2	330	1
		2	360	1
BACU24AA0405J		15	55	1
BACU24AA0806J		2	185	1
BACU24AB6H		2	300	1
BACW10BP3ACU		2	219	2
BACW10BP3DP		1	200	2
		9	200	2
BACW10BP4AC		5	235	1
BACW10BP4AP		5	230	1
BACW10P186C		9	737	5
		9	755	1
BACW10P321S		5	150	1
BACW10P69S		5	95	1
		5	200	1
BAC27TTR0001		1	374	1
		9	621	1
		10	165	1

78-31-14

ILLUSTRATED PARTS LIST
 01.1 Page 1020A
 Jul 01/04

PART NUMBER	AIRLINE PART NO.	FIG.	ITEM	TTL REQ
BAC27TTR0002		1	377	1
		9	623	1
		10	170	1
BAC27TTR0003		1	380	1
		9	624	1
		10	175	1
BAC27TTR0004		1	383	1
		9	622	1
		10	190	1
BAC27TTR0006		1	386	1
		1	387	1
		6	65	1
		9	625	1
		9	628	1
		10	195	1
BAC27TTR0008		15	310	1
		1	389	1
		9	631	1
BAC27TTR0009		10	180	1
		1	392	1
		9	634	1
BAC27TTR0012		10	185	1
		1	395	1
		9	637	1
BAC27TTR0013		10	200	1
		1	398	1
		9	640	1
BAC27TTR0016		10	205	1
		1	269	1
		9	269	1
BAC27TTR0017		1	251	1
		9	251	1
BAC27TTR0018		1	260	1
		9	260	1
BAC27TTR0026		1	263	1
		9	263	1
BAC27TTR0027		1	266	1
		9	266	1
BAC27TTR0028		1	254	1
		9	254	1

78-31-14

015T0438
 315T3001
 315T4726
 315T3055

 **BOEING**
 COMPONENT
 MAINTENANCE MANUAL

PART NUMBER	AIRLINE PART NO.	FIG.	ITEM	TTL REQ
BAC27TTR0029		1	257	1
		9	257	1
BAC27TTR0030		1	272	1
		9	272	1
BAC27TTR0031		1	275	1
		9	275	1
BAC27TTR0043		8	60	1
BAC27TTR59		2	370	1
BC1080S275LZ		2	216	1
BC921T6		2	305	1
		2	325	4
		2	355	4
BLC4BC18S		8	20A	1
BLDS3-22		9	664D	1
BRFM20A3		1	311	4
		9	311	4
BRF100C3D		10	80	4
BRF200C3M		1	56	4
		1	119	4
		4	75	4
		4	135	2
BRF200C3M		9	56	4
		9	119	4
BRF200C4M		1	59	7
		1	122	7
		4	80	4
		4	140	2
		9	59	7
		9	122	7
BRH10A3		1	218	1
		3	30	41
		9	218	1
		15	20	6
BRH10C3D		8	10	2
BRH10C3M		1	719	4
		2	50	16
		2	55	14
		5	210	1
		7	40	1
		9	497	4
		9	665J	1
B30MY5K3		6	25	4
B30MY6K3		6	45	4
B30MY6K4		15	115	4
B464DDD0181CN		2	200	1
		2	205	1

78-31-14

ILLUSTRATED PARTS LIST
 01.1 Page 1020C
 Jul 01/04

PART NUMBER	AIRLINE PART NO.	FIG.	ITEM	TTL REQ
CL4BLPB1-8S		8	20	1
CL4F		7	10	2
		8	35	1
CS204E		5	70	1
		5	255	1
C48-00R14-7P102		1	362	1
		9	601	1
		10	55	1
DBOC14AD06J		2	210	1
DBOC14AD12J		2	215	1
DBOE21AW0404M		15	70	1
DBON10NR6		2	305	1
		2	325	4
		2	355	4
DBOS13BX04H		15	75	2
DBOS13BX06H		2	168	6
		2	295	1
		2	320	4
		2	350	4
DBOU24AA0405J		15	55	1
DBOU24AA0806J		2	185	1
DBOU24AB6H		2	300	1
ER01921-6T		2	305	1
		2	325	4
		2	355	4
ER10633M0404		15	70	1
ER832-0405J		15	55	1
ER832-0806J		2	185	1
FER1569-0404M		15	70	1
FER1579-0405J		15	55	1
FER1579-0806J		2	185	1
FER22661-06J		2	210	1
FER22661-12J		2	215	1
FER8928-6		2	305	1
		2	325	4
		2	355	4

78-31-14

015T0438
 315T3001
 315T4726
 315T3055

 **BOEING**
 COMPONENT
 MAINTENANCE MANUAL

PART NUMBER	AIRLINE PART NO.	FIG.	ITEM	TTL REQ
F11-6		2	305	1
		2	325	4
		2	355	4
F5001-3BAC		1	56	4
		1	119	4
		4	75	4
		4	135	2
		9	56	4
		9	119	4
F5001-4BAC		1	59	7
		1	122	7
		4	80	4
		4	140	2
		9	59	7
		9	122	7
		10	80	4
F51604-3		10	80	4
HL10VAZ5-3		6	25	4
HL10VAZ6-3		6	45	4
HL10VAZ6-3X		6	45A	2
HL10VAZ6-4		15	115	4
HL1012AZ6-6		5	85	1
HL1012AZ8-20		9	711	2
HL1012AZ8-25		1	695	1
		9	708	1
HL110AZ6-3		6	45A	2
HL1187DUW6		5	100	1
HL12VAZ6-6		5	85	1
HL12VAZ8-20		9	711	2
HL12VAZ8-25		1	695	1
		9	708	1
HL13VAZ8-20		1	698	2
HL13VAZ8-22		1	665	20
		9	678	20
HL13V20		1	698	2
HL13V22		1	665	20
		9	678	20

78-31-14

ILLUSTRATED PARTS LIST
 01.1 Page 1020E
 Jul 01/04

PART NUMBER	AIRLINE PART NO.	FIG.	ITEM	TTL REQ
HL19-5A4		1	626	6
		9	401	6
HL41PY5-4		1	626	6
		9	401	6
HL440UC8-11		5	145	1
HL441N5-4		1	626	6
		9	401	6
HL441UC5-4		1	626	6
		9	401	6
HL441UC8-11		5	145	1
HL70-5		1	632	6
		6	30	4
		9	407	6
HL79-6		6	50	3
		6	50A	2
		15	120	4
HL79-8		1	668	20
		1	701	3
		9	681	20
		9	714	2
HL87DUW6		5	100	1
H01-3BAC		1	719	4
H01-3BAC		2	50	16
		2	55	14
		5	210	1
		7	40	1
		9	497	4
		9	665J	1
H10-3BAC		1	218	1
		3	30	41
		9	218	1
		15	20	6
H2626-35		1	641	1
		9	416	1

78-31-14

ILLUSTRATED PARTS LIST
01.1 Page 1020F
Jul 01/04

015T0438
 315T3001
 315T4726
 315T3055

 **BOEING**
 COMPONENT
 MAINTENANCE MANUAL

PART NUMBER	AIRLINE PART NO.	FIG.	ITEM	TTL REQ
H2865-17		1	644A	1
		9	419A	1
H2865-19		1	644B	1
		9	419B	1
H51650-3BAC		8	10	2
JM44LC13WS4R		15	25	6
KJB301504B		9	746	5
		9	764	1
KP4A		5	70	1
		5	255	1
KP4AFS428		5	70	1
		5	255	1
KP4AG27		5	70	1
		5	255	1
KP4ALY196		5	70	1
		5	255	1
KP4ANJC		5	70	1
		5	255	1
KP4ASD610		5	70	1
		5	255	1
KP4A2TS		5	70	1
		5	255	1
LA3EW22		9	664D	1
LER832-0405J		15	55	1
LER832-0806J		2	185	1
LLKP4A		5	70	1
		5	255	1
L801-8K20		1	698	2
L801-8K22		1	665	20
		9	678	20
L802-6K6		5	85	1
L802-8K20		9	711	2
L802-8K25		1	695	1
		9	708	1
L8058A11		5	145	1
L839-5A4		1	626	6
		9	401	6
MBC5825275LM		2	216	1
MF1000-3BAC		1	311	4
		9	311	4
MF1000-4BAC		1	290	2
		9	290	2
MF53049-3		1	311	4
		9	311	4
MF6000-3		9	614G	4
		10	115	4
MS17984C418		8	20B	1

78-31-14

ILLUSTRATED PARTS LIST
 01.1 Page 1020G
 Jul 01/04

PART NUMBER	AIRLINE PART NO.	FIG.	ITEM	TTL REQ
MS20230GB10		7	45	1
MS20230WB10		7	50	1
MS20613-6C30		8	45	1
MS21209F8-10		6	35	1
		9	615	1
		10	130	1
		15	295	1
MS21340-05		1	179	2
		9	179	2
MS21902J4		15	60	1
MS21919WCH28		8	40	2
MS21919WCH5		8	15	2
MS21921-4J		15	80	2
MS21921-6J		2	305A	1
		2	325A	4
		2	355A	4
MS24665-151		9	731	5
		9	749	1
MS24665-153		2	260	3
MS25224-3		1	329	2
		1	332	2
		9	568	2
		10	10	2
MS27253-2		1	985	1
		9	729	1
MS27980-1N		7	51	1
MS27980-6N		7	52	1
MS27980-7N		7	53	1
MS27980-8N		7	54	1
M83248-1-012		15	65	1
NAS1149D1016J		1	182A	2
		9	182A	2
NAS1200-6		1	638	8
		9	413	8
NAS1756-24		7	55	1
		9	665	1
NAS1801-04-5		1	353	4
		9	592	4
NAS1801-3		3	5	38
NAS1801-3-12		1	236	2
		9	236	2
NAS1804-4		15	105	2
NAS1805-4N		5	160	2
		5	240	1

78-31-14

 ILLUSTRATED PARTS LIST
 01.1 Page 1020H
 Jul 01/04

015T0438
 315T3001
 315T4726
 315T3055

 **BOEING**
 COMPONENT
 MAINTENANCE MANUAL

PART NUMBER	AIRLINE PART NO.	FIG.	ITEM	TTL REQ
NAS43DD3-12		5	127A	1
NAS43DD3-15		7	35	1
NAS43DD3-24		9	664V	1
NAS43DD3-68		2	40	18
		2	45	16
NAS43DD3-8		5	90	1
		5	127	1
NAS43HT4-139		5	225	1
NAS509-5C		5	30	1
NAS577-5A		1	575	1
		9	347	1
NAS578-5A		1	578	1
		9	350	1
NAS603-11P		9	664L	1
NAS603-22P		7	25	1
NAS603-8P		1	212	1
		9	212	1
NAS6703-19		1	704	2
		9	482	2
NAS6703-20		1	707	2
		9	485	2
NAS6703-3		1	611	11
		9	386	11
		15	10	6
NAS6703U1		2	218	2
NAS6703U4		3	10	3
NAS6704-2		2	230	6
NAS6705D18		2	265	3
NS103203SE02		1	56	4
		1	119	4
		4	75	4
		4	135	2
		9	56	4
		9	119	4

78-31-14

ILLUSTRATED PARTS LIST
 01.1 Page 1020I
 Jul 01/04

PART NUMBER	AIRLINE PART NO.	FIG.	ITEM	TTL REQ
NS103203SE048		1	59	7
		1	122	7
		4	80	4
		4	140	2
		9	59	7
		9	122	7
NS103218-02		1	311	4
		9	311	4
NS103218-048		1	290	2
		9	290	2
NS202101-02		1	218	1
		3	30	41
		9	218	1
		15	20	6
NS202101SE02		1	719	4
		2	50	16
		2	55	14
		5	210	1
		7	40	1
		9	497	4
NS202478-02		9	665J	1
		10	80	4
NS202486-02		8	10	2
	P20701		1	997
		9	997	1
P21620		5	115	1
		81	1	RF
P21621		81	5	1
	RC1108		1	584
		9	356	1
RMF9201M3		1	311	4
		9	311	4

78-31-14

 ILLUSTRATED PARTS LIST
 01.1 Page 1020J
 Jul 01/04

015T0438
 315T3001
 315T4726
 315T3055

 **BOEING**
 COMPONENT
 MAINTENANCE MANUAL

PART NUMBER	AIRLINE PART NO.	FIG.	ITEM	TTL REQ
RMF9201M4		1	290	2
		9	290	2
RMLH9075-3W		1	218	1
		3	30	41
RMLH9075-3W		9	218	1
		15	20	6
RT876		10	90	1
R071914-7P		1	362	1
		9	601	1
		10	55	1
R8947P0151DDN		2	200	1
R8947P0181CCN		2	205	1
R8963P0151DDN		2	200	1
R8963P0181CCN		2	205	1
R8963P0181DDN		2	200	1
SLDS3R22		9	664D	1
SSD66SSBS		8	50	3
S283T006-7		1	191	1
		1	194	1
		9	191	1
		9	194	1
S283T006-8		1	185	2
		1	188	2
		9	185	2
		9	188	2
S302T001-202B		1	997	1
		9	997	1
S302T001-301A		5	115	1
		81	1	RF
S302T001-301B		81	5	1
S302T001-304A		5	25	1
		80	1	RF
S314T220-3		1	584	1
		9	356	1
S315N370-2		2	222	1
S315T101-2		1	641	1
		9	416	1

78-31-14

ILLUSTRATED PARTS LIST
 01.1 Page 1020K
 Jul 01/04

PART NUMBER	AIRLINE PART NO.	FIG.	ITEM	TTL REQ
S315T101-4		1	644A	1
		9	419A	1
S315T360-28		2	255	1
S315T360-29		2	250	2
S315T360-30		2	255A	1
S315T360-31		2	250A	2
S315T360-34		2	255C	1
S315T360-35		2	180	2
S315T360-39		2	250C	2
S315T360-40		2	255E	1
S315T360-47		2	250D	2
		2	335	1
		2	365	1
S315T360-5		2	175	2
S315T360-51		2	250E	2
S315T360-7		2	220	1
S315T366-2		1	590	1
		8	55	1
		9	365	1
S315T366-9		1	590G	1
		9	365G	1
S369WH4		15	25	6
TY1878-21		2	222	1
T6C1032JCD		8	10	2
T6C1032JM		1	719	4
		2	50	16
		2	55	14
		5	210	1
		7	40	1
		9	497	4
		9	665J	1
T6S1032J		1	218	1
		3	30	41
		9	218	1
		15	20	6
T8092C1032		1	56	4
		1	119	4
		4	75	4
		4	135	2
		9	56	4
		9	119	4
T8092C428		1	59	7
		1	122	7
		4	80	4
		4	140	2
		9	59	7
		9	122	7

78-31-14

 ILLUSTRATED PARTS LIST
 01.1 Page 1020L
 Jul 01/04

015T0438
 315T3001
 315T4726
 315T3055

 **BOEING**
 COMPONENT
 MAINTENANCE MANUAL

PART NUMBER	AIRLINE PART NO.	FIG.	ITEM	TTL REQ
T8124S4S		1	290	2
T8124S4S		9	290	2
USB4-136		5	115B	1
		81	1	RF
US2103-06J		2	210	1
US2103-12J		2	215	1
US2109-0404M		15	70	1
US2113-0405J		15	55	1
US2113-0806J		2	185	1
VN152D1-02		1	56	4
		1	119	4
		4	75	4
		4	135	2
		9	56	4
		9	119	4
VN152D1-048		1	59	7
		1	122	7
		4	80	4
		4	140	2
		9	59	7
		9	122	7
VN252A02		1	311	4
		9	311	4
VN252A048		1	290	2
		9	290	2
VN303A02		1	218	1
		3	30	41
		9	218	1
		15	20	6
VN303D02		1	719	4
		2	50	16
		2	55	14
		5	210	1
		7	40	1
		9	497	4
		9	665J	1
VTA04560		5	25	1
		80	1	RF
VTA04561		80	5	1
VTA04563		80	10	1
VTB04531		1	997	1
		9	997	1
VTB04540		5	115	1
VTB04540		81	1	RF
VTB04541		81	5	1
VTB04542		81	10	1
WC130-8-11		5	145	1

78-31-14

ILLUSTRATED PARTS LIST
 01.1 Page 1020M
 Jul 01/04

PART NUMBER	AIRLINE PART NO.	FIG.	ITEM	TTL REQ
W30833-0404M		15	70	1
ZZYAC1714-7P		1	362	1
		9	601	1
		10	55	1
0111153-007		15	110	1
015T0438-27		1	2	RF
		9	1T	RF
015T0438-28		1	5X	RF
		9	5U	RF
015T0438-29		1	10Z	RF
		9	10T	RF
015T0438-30		1	15X	RF
		9	15U	RF
015T0438-31		1	2A	RF
		9	1V	RF
015T0438-32		1	5Y	RF
		9	5W	RF
015T0438-33		1	11	RF
		9	11A	RF
015T0438-34		1	15Y	RF
		9	15W	RF
015T0438-35		1	2L	RF
		9	2H	RF
015T0438-36		1	6F	RF
		9	6D	RF
015T0438-37		1	11L	RF
		9	11L	RF
015T0438-38		1	17X	RF
		9	14T	RF
015T0438-39		1	2M	RF
		9	2J	RF
015T0438-40		1	6L	RF
		9	6J	RF
015T0438-41		1	11M	RF
		9	11M	RF
015T0438-42		1	17Y	RF
		9	14U	RF
015T0438-43		1	2D	RF
		9	1Y	RF
015T0438-44		1	6B	RF
015T0438-44		9	6	RF
015T0438-45		1	11C	RF
		9	10Y	RF
015T0438-46		1	16H	RF
		9	14X	RF

78-31-14

 ILLUSTRATED PARTS LIST
 01.1 Page 1020N
 Jul 01/04

015T0438
 315T3001
 315T4726
 315T3055

 **BOEING**
 COMPONENT
 MAINTENANCE MANUAL

PART NUMBER	AIRLINE PART NO.	FIG.	ITEM	TTL REQ
015T0438-47		1	2F	RF
		9	2	RF
015T0438-48		1	6D	RF
		9	6B	RF
015T0438-49		1	11E	RF
		9	11	RF
015T0438-50		1	16K	RF
		9	14Z	RF
015T0438-51		1	2E	RF
		9	1Z	RF
015T0438-52		1	6C	RF
		9	6A	RF
015T0438-53		1	11D	RF
		9	10Z	RF
015T0438-54		1	16J	RF
		9	14Y	RF
015T0438-69		1	1X	RF
015T0438-70		1	5V	RF
015T0438-71		1	10W	RF
015T0438-72		1	15V	RF
015T0438-73		1	1Z	RF
015T0438-74		1	5W	RF
		9	5V	RF
015T0438-75		1	10Y	RF
015T0438-76		1	15W	RF
		9	15V	RF
015T0438-77		1	11N	RF
015T0438-78		1	2N	RF
102F9207P3		10	80	4
102LH9075-3W		8	10	2
1044275LM		2	216	1
109F9201-3		1	56	4
		1	119	4
		4	75	4
		4	135	2
		9	56	4
		9	119	4

78-31-14

ILLUSTRATED PARTS LIST
 01.1 Page 10200
 Jul 01/04

PART NUMBER	AIRLINE PART NO.	FIG.	ITEM	TTL REQ
109F9201-4		1	59	7
		1	122	7
		4	80	4
109F9201-4		4	140	2
		9	59	7
		9	122	7
109LH9075-3W		1	719	4
		2	50	16
		2	55	14
		5	210	1
		7	40	1
		9	497	4
		9	665J	1
132003		1	359	4
		9	598	4
		10	50	4
19396N275LM		2	216	1
2-01027-6H		2	300	1
2-010890405J		15	55	1
2-010890806J		2	185	1
2-02813-06J		2	210	1
2-02813-12J		2	215	1
2-02903-04H		15	75	2
2-02903-06H		2	168	6
2-03005T6		2	295	1
		2	320	4
		2	350	4
		2	305	1
		2	325	4
		2	355	4
		2	250	2
2190000-13		2	255	1
2190000-18		2	255A	1
2190000-20		2	250C	2
2190000-21		2	255C	1
2190000-22		2		

78-31-14

 ILLUSTRATED PARTS LIST
 01.1 Page 1020P
 Jul 01/04

015T0438
 315T3001
 315T4726
 315T3055

 **BOEING**
 COMPONENT
 MAINTENANCE MANUAL

PART NUMBER	AIRLINE PART NO.	FIG.	ITEM	TTL REQ
2190000-24		2	255E	1
2190000-32		2	255G	1
286T0326		3	40	1
286T0328		3	50	1
286T0330		3	45	1
286T0332		3	55	1
288T3199		1	995	RF
		3	1A	RF
		9	995	RF
3078C275LM		2	216	1
315T1015-1		5	170	1
315T1604-1		1	320	1
		9	320	1
		9	321	1
315T1604-2		1	320A	1
		9	320A	1
		9	321A	1
315T1604-3		7	70	1
315T1604-4		9	665S	1
315T1604-6		1	320D	1
		9	321B	1
315T3001-100SP		1	15L	RF
		9	15K	RF
315T3001-101SP		1	1P	RF
		9	1K	RF
315T3001-102SP		1	5M	RF
		9	5L	RF
315T3001-103SP		1	10N	RF
		9	10K	RF
315T3001-104SP		1	15M	RF
		9	15L	RF
315T3001-105SP		1	1K	RF
		9	1F	RF
315T3001-106SP		1	5H	RF
		9	5G	RF

78-31-14

ILLUSTRATED PARTS LIST
 01.1 Page 1020Q
 Jul 01/04

PART NUMBER	AIRLINE PART NO.	FIG.	ITEM	TTL REQ
315T3001-107SP		1	10J	RF
		9	10F	RF
315T3001-108SP		1	15H	RF
		9	15G	RF
315T3001-117SP		1	1Q	RF
		9	1L	RF
315T3001-118SP		1	5N	RF
		9	5M	RF
315T3001-119SP		1	10P	RF
		9	10L	RF
315T3001-12		1	716	1
		9	494	1
315T3001-120SP		1	15N	RF
		9	15M	RF
315T3001-121SP		1	1R	RF
		9	1M	RF
315T3001-122SP		1	5P	RF
		9	5N	RF
315T3001-123SP		1	10Q	RF
		9	10M	RF
315T3001-124SP		1	15P	RF
		9	15N	RF
315T3001-125SP		1	1S	RF
		9	1N	RF
315T3001-126SP		1	5Q	RF
		9	5P	RF
315T3001-127SP		1	10R	RF
		9	10N	RF
315T3001-128SP		1	15Q	RF
		9	15P	RF
315T3001-129SP		1	1T	RF
		9	1P	RF
315T3001-13		1	677A	10
		9	455	10
315T3001-130SP		1	5R	RF
		9	5Q	RF
315T3001-131SP		1	10S	RF
		9	10P	RF
315T3001-132SP		1	15R	RF
		9	15Q	RF
315T3001-133SP		1	1U	RF
		9	1Q	RF

78-31-14

 ILLUSTRATED PARTS LIST
 01.1 Page 1020R
 Jul 01/04

015T0438
 315T3001
 315T4726
 315T3055

 **BOEING**
 COMPONENT
 MAINTENANCE MANUAL

PART NUMBER	AIRLINE PART NO.	FIG.	ITEM	TTL REQ
315T3001-134SP		1	5S	RF
		1	6E	RF
		9	5R	RF
		9	6C	RF
315T3001-135SP		1	10T	RF
		1	11F	RF
		9	10Q	RF
		9	11D	RF
315T3001-136SP		1	15S	RF
		9	15R	RF
315T3001-137SP		1	1V	RF
		1	2C	RF
		9	1R	RF
315T3001-138SP		1	5T	RF
		1	6A	RF
		9	5S	RF
315T3001-139SP		1	10U	RF
		1	11B	RF
		9	10R	RF
315T3001-140SP		1	15T	RF
		1	16G	RF
		9	15S	RF
		1	1W	RF
315T3001-141SP		1	2B	RF
		9	1S	RF
		1	5U	RF
315T3001-142SP		1	6	RF
		9	5T	RF
		1	10V	RF
315T3001-143SP		1	11A	RF
		9	10S	RF
		1	15U	RF
315T3001-144SP		1	16F	RF
		9	15T	RF
		1	1C	RF
315T3001-43SP		9	1	RF
315T3001-44SP		1	5B	RF
		9	5	RF
315T3001-45SP		1	10C	RF
		9	10	RF
315T3001-46SP		1	15B	RF
		9	15	RF
315T3001-47SP		1	1	RF
315T3001-48SP		1	5	RF
315T3001-49SP		1	10	RF
315T3001-5		1	713	1
		9	491	1

78-31-14

ILLUSTRATED PARTS LIST
 01.1 Page 1020S
 Jul 01/04

PART NUMBER	AIRLINE PART NO.	FIG.	ITEM	TTL REQ
315T3001-50SP		1	15	RF
315T3001-5083		9	550B	RF
315T3001-5084		9	553B	RF
315T3001-5085		9	550A	RF
315T3001-5086		9	553A	RF
315T3001-5087		9	556B	RF
315T3001-5088		9	559B	RF
315T3001-5089		9	556A	RF
315T3001-5090		9	559A	RF
315T3001-5091		9	550	RF
315T3001-5092		9	553G	RF
315T3001-5094		9	553	RF
315T3001-5095		9	556	RF
315T3001-5096		9	559G	RF
315T3001-5098		9	559	RF
315T3001-5099		9	550C	RF
315T3001-51SP		1	1B	RF
315T3001-5100		9	553C	RF
315T3001-5103		9	556C	RF
315T3001-5104		9	559C	RF
315T3001-5107		9	550D	RF
315T3001-5108		9	553D	RF
315T3001-5109		9	556D	RF
315T3001-5110		9	559D	RF
315T3001-5115		9	550E	RF
315T3001-5116		9	553E	RF
315T3001-5119		9	556E	RF
315T3001-5120		9	559E	RF
315T3001-5123		9	550G	RF
315T3001-5124		9	553H	RF
315T3001-5125		9	556G	RF
315T3001-5126		9	559H	RF
315T3001-5127		9	550H	RF
315T3001-5128		9	553J	RF
315T3001-5129		9	556H	RF
315T3001-5130		9	559J	RF
315T3001-5167		9	550T	RF
315T3001-5168		9	553U	RF
315T3001-5169		9	556T	RF
315T3001-5170		9	559U	RF
315T3001-5171		9	550J	RF
315T3001-5172		9	553K	RF
315T3001-5173		9	556J	RF
315T3001-5174		9	559K	RF
315T3001-5187		9	550M	RF

78-31-14

 ILLUSTRATED PARTS LIST
 01.1 Page 1020T
 Jul 01/04

015T0438
 315T3001
 315T4726
 315T3055

 **BOEING**
 COMPONENT
 MAINTENANCE MANUAL

PART NUMBER	AIRLINE PART NO.	FIG.	ITEM	TTL REQ
315T3001-5188		9	553N	RF
315T3001-5189		9	556M	RF
315T3001-5190		9	559N	RF
315T3001-5191		9	550P	RF
315T3001-5192		9	553Q	RF
315T3001-5193		9	556P	RF
315T3001-5194		9	559Q	RF
315T3001-5199		9	550R	RF
315T3001-52SP		1	5A	RF
		9	5A	RF
315T3001-5200		9	553S	RF
315T3001-5201		9	556R	RF
315T3001-5202		9	559S	RF
315T3001-5203		9	550Q	RF
315T3001-5204		9	553R	RF
315T3001-5205		9	556Q	RF
315T3001-5206		9	559R	RF
315T3001-5207		9	550S	RF
315T3001-5208		9	553T	RF
315T3001-5209		9	556S	RF
315T3001-5210		9	559T	RF
315T3001-53SP		1	10B	RF
315T3001-54SP		1	15A	RF
		9	15A	RF
315T3001-55SP		1	1A	RF
		9	1A	RF
315T3001-57SP		1	10A	RF
		9	10A	RF
315T3001-59SP		1	1E	RF
315T3001-61SP		1	10E	RF
315T3001-63SP		1	1F	RF

78-31-14

ILLUSTRATED PARTS LIST
 01.1 Page 1020U
 Jul 01/04

PART NUMBER	AIRLINE PART NO.	FIG.	ITEM	TTL REQ
315T3001-65SP		1	1D	RF
		9	1B	RF
315T3001-66SP		1	5C	RF
		9	5B	RF
315T3001-67SP		1	10D	RF
		9	10B	RF
315T3001-68SP		1	15C	RF
		9	15B	RF
315T3001-7001		9	16	1
315T3001-7002		9	17	1
315T3001-73SP		1	1G	RF
		9	1C	RF
315T3001-74SP		1	5D	RF
		9	5C	RF
315T3001-75SP		1	10F	RF
		9	10C	RF
315T3001-76SP		1	15D	RF
		9	15C	RF
315T3001-77SP		1	1H	RF
		9	1D	RF
315T3001-78SP		1	5E	RF
		9	5D	RF
315T3001-79SP		1	10G	RF
		9	10D	RF
315T3001-80SP		1	15E	RF
		9	15D	RF
315T3001-82SP		1	5F	RF
		9	5E	RF
315T3001-84SP		1	15F	RF
		9	15E	RF
315T3001-93SP		1	1J	RF
		9	1E	RF
315T3001-94SP		1	5G	RF
		9	5F	RF
315T3001-95SP		1	10H	RF
		9	10E	RF

78-31-14

 ILLUSTRATED PARTS LIST
 01.1 Page 1020V
 Jul 01/04

015T0438
 315T3001
 315T4726
 315T3055

 **BOEING**
 COMPONENT
 MAINTENANCE MANUAL

PART NUMBER	AIRLINE PART NO.	FIG.	ITEM	TTL REQ
315T3001-96SP		1	15G	RF
		9	15F	RF
315T3001-97SP		1	1N	RF
		9	1J	RF
315T3001-98SP		1	5L	RF
		9	5K	RF
315T3001-99SP		1	10M	RF
		9	10J	RF
315T3002-100		9	652E	1
315T3002-101		9	643L	1
315T3002-102		9	646K	1
315T3002-103		9	649K	1
315T3002-104		9	652L	1
315T3002-105		9	643A	1
315T3002-106		9	646D	1
315T3002-107		9	649A	1
315T3002-108		9	652	1
315T3002-117		9	643E	1
315T3002-118		9	646F	1
315T3002-119		9	649E	1
315T3002-120		9	652F	1
315T3002-121		9	643F	1
315T3002-122		9	646G	1
315T3002-123		9	649F	1
315T3002-124		9	652G	1
315T3002-125		9	643G	1
315T3002-126		9	646H	1
315T3002-127		9	649G	1
315T3002-128		9	652H	1
315T3002-129		9	643H	1
315T3002-130		9	646J	1
315T3002-131		9	649H	1
315T3002-132		9	652J	1
315T3002-133		9	643J	1
315T3002-134		9	643K	1
315T3002-135		9	649J	1

78-31-14

ILLUSTRATED PARTS LIST
 01.1 Page 1020W
 Jul 01/04

PART NUMBER	AIRLINE PART NO.	FIG.	ITEM	TTL REQ
315T3002-136		9	652K	1
315T3002-57		9	643C	1
315T3002-58		9	646B	1
315T3002-59		9	649C	1
315T3002-60		9	652B	1
315T3002-63		1	737	1
315T3002-64		1	740	1
315T3002-65		1	743	1
315T3002-66		1	746	1
315T3002-67		9	643B	1
315T3002-68		9	646A	1
315T3002-69		9	649	1
315T3002-70		9	652A	1
315T3002-71		1	737C	1
315T3002-73		1	737D	1
315T3002-75		1	743C	1
315T3002-77		1	743D	1
315T3002-79		1	737A	1
315T3002-81		1	743A	1
315T3002-83		1	737G	1
315T3002-85		1	743G	1
315T3002-87		1	737H	1
315T3002-89		9	643D	1
315T3002-90		9	646C	1
315T3002-91		9	649D	1
315T3002-92		9	652C	1
315T3002-98		9	646E	1
315T3009-1		1	998H	1
		9	999	1
315T3013-1		1	996	1
		9	996	1
315T3055-10		1	17U	RF
		9	13W	RF
315T3055-11		9	560	1
		10	1A	RF
315T3055-12		9	561	1
315T3055-12		10	5	RF
315T3055-13		10	70	2
315T3055-3		1	2G	RF
		9	2D	RF
315T3055-4		1	6G	RF
		9	6E	RF

78-31-14

 ILLUSTRATED PARTS LIST
 01.1 Page 1020X
 Jul 01/04

015T0438
 315T3001
 315T4726
 315T3055

 **BOEING**
 COMPONENT
 MAINTENANCE MANUAL

PART NUMBER	AIRLINE PART NO.	FIG.	ITEM	TTL REQ
315T3055-5		1	11G	RF
		9	11G	RF
315T3055-6		1	17T	RF
		9	13V	RF
315T3055-7		1	2H	RF
		9	2E	RF
315T3055-8		1	6H	RF
		9	6F	RF
315T3055-9		1	11H	RF
		9	11H	RF
315T3102-1		1	662	5
		9	675	5
315T3102-2		1	674	5
		9	687	5
315T3102-6		9	675A	5
315T3103-11		1	689	1
		9	702	1
315T3103-12		1	725	1
		9	720	1
315T3103-13		9	702A	1
315T3103-14		9	705A	1
315T3103-2		1	692	1
		9	705	1
315T3103-4		1	728	1
		9	723	1
315T3154-1		9	655	1
		15	1	RF
315T3154-10		15	265	1
315T3154-11		15	125	1
315T3154-12		15	135	1
315T3154-13		15	170	1
315T3154-14		15	175	1
315T3154-15		15	145	2
		15	160	1

78-31-14

ILLUSTRATED PARTS LIST
 01.1 Page 1020Y
 Jul 01/04

PART NUMBER	AIRLINE PART NO.	FIG.	ITEM	TTL REQ
315T3154-16		15	150	2
		15	155	1
315T3154-17		15	185	1
315T3154-18		15	190	1
315T3154-19		15	200	1
315T3154-2		9	658	1
		15	5	RF
315T3154-20		15	50	1
315T3154-25		9	655C	1
		15	1A	RF
315T3154-26		9	658A	1
		15	5A	RF
315T3154-3		15	45	1
315T3154-31		15	270	1
315T3154-47		15	45A	1
315T3154-48		15	50A	1
315T3154-49		15	45B	1
315T3154-5		15	205	1
315T3154-50		15	50B	1
315T3154-6		15	240	1
315T3154-7		15	230	1
315T3154-8		15	235	1
315T3154-9		15	260	1
315T3156-1		6	1	RF
		9	660	1
315T3156-2		6	5	RF
		9	660A	1
315T3156-5		6	10	1
315T3156-6		6	15	1
315T3156-7		6	55	1
315T3156-8		6	60	1
315T3157-1		7	1	RF
		9	663	1
315T3157-10		7	20A	1
315T3157-2		7	60	1

78-31-14

 ILLUSTRATED PARTS LIST
 01.1 Page 1020Z
 Jul 01/04

015T0438
 315T3001
 315T4726
 315T3055

 **BOEING**
 COMPONENT
 MAINTENANCE MANUAL

PART NUMBER	AIRLINE PART NO.	FIG.	ITEM	TTL REQ
315T3157-3		7	65	1
315T3157-6		7	20	1
315T3157-7		7	1A	RF
		9	663A	1
315T3157-8		7	60B	1
315T3159-1		1	590B	1
		8	1	RF
		9	365B	1
315T3159-3		8	25	1
315T3202-114		15	305	1
315T3202-156		10	85	2
315T3208-1		1	599	1
		9	374	1
315T3208-2		1	602	1
		9	377	1
315T3208-5001		1	605	1
		9	380	1
315T3208-5002		1	608	1
		9	383	1
315T3208-5003		1	605A	1
		9	380A	1
315T3208-5004		1	608A	1
		9	383A	1
315T3245-1		6	20	1
		9	614P	1
		10	125	1
		15	290	1
315T3245-2		6	40	1
		9	615G	1
		10	135	1
		15	300	1
315T3250-1		1	620	1
		9	395	1

78-31-14

ILLUSTRATED PARTS LIST
 01.1 Page 1021
 Jul 01/04

PART NUMBER	AIRLINE PART NO.	FIG.	ITEM	TTL REQ
315T3250-2		1	623	1
		9	398	1
315T3250-3		1	647	1
		9	422	1
315T3250-4		1	650	1
		9	425	1
315T3250-5		1	620A	1
		9	395A	1
315T3250-6		1	623A	1
		9	398A	1
315T3251-1		1	617	11
		9	392	11
315T3252-1		1	635	1
		9	410	1
315T3252-2		1	635A	1
		9	410A	1
315T3315-2		1	998	2
		9	998	2
315T3500-21		1	731	1
		9	815	1
315T3500-22		1	734	1
		9	820	1
315T3500-27		9	815A	1
315T3500-28		9	820A	1
315T3517-1		1	671	10
		1	722	2
		9	684	10
		9	717	2
315T3517-5		9	684A	10
		9	717A	2
315T3529-13		1	71	1
		9	71	1
315T3529-14		1	146	1
		9	146	1
315T3529-15		1	74	1
		9	74	1
315T3529-16		1	149	1
		9	149	1
315T3529-17		1	83	1
		9	83	1

78-31-14

 ILLUSTRATED PARTS LIST
 01.1 Page 1022
 Jul 01/04

015T0438
 315T3001
 315T4726
 315T3055

 **BOEING**
 COMPONENT
 MAINTENANCE MANUAL

PART NUMBER	AIRLINE PART NO.	FIG.	ITEM	TTL REQ
315T3529-18		1	155	1
		9	155	1
315T3529-19		1	73	1
		1	80	1
		1	153	1
		9	73	1
		9	80	1
		9	153	1
315T3529-21		1	62	1
		9	62	1
315T3529-22		1	137	1
		9	137	1
315T3529-24		1	149A	1
		9	149A	1
315T3529-25		1	155A	1
		9	155A	1
315T3530-10		4	180	1
315T3530-11		4	95	1
315T3530-12		4	100	1
315T3530-13		4	155	1
315T3530-14		4	160	1
315T3530-5		4	190	1
		4	205	1
315T3530-6		4	195	1
		4	210	1
315T3530-7		4	165	1
315T3530-8		4	170	1
315T3530-9		4	175	1
315T3539-1		1	659	5
315T3539-1		1	686	1
		9	672	5
		9	699	5

78-31-14

ILLUSTRATED PARTS LIST
 01.1 Page 1022A
 Jul 01/04

PART NUMBER	AIRLINE PART NO.	FIG.	ITEM	TTL REQ
315T3539-3		1	656	5
		1	683	1
		9	669	5
		9	696	1
315T3556-1		1	278	1
		9	278	1
315T3556-11		1	299	1
		9	299	1
315T3556-12		1	302	1
		9	302	1
315T3556-13		1	314	1
		9	314	1
315T3556-14		1	317	1
		9	317	1
315T3556-2		1	281	1
		9	281	1
315T3556-7		1	293	1
		9	293	1
315T3556-8		1	296	1
		9	296	1
315T3579-5SP		1	158	1
		4	1	RF
		9	158	1
315T3579-5001		1	89	1
		9	89	1
		1	89A	1
315T3579-5002		9	89A	1
		1	161	1
		4	5	RF
315T3579-6SP		9	161	1
		1	20	1
		9	20	1
315T3579-7SP		1	20	1
		9	20	1
315T3579-8SP		1	86	1
		9	86	1
315T3602-11		2	150	1

78-31-14

 ILLUSTRATED PARTS LIST
 01.1 Page 1022B
 Jul 01/04

015T0438
 315T3001
 315T4726
 315T3055

 **BOEING**
 COMPONENT
 MAINTENANCE MANUAL

PART NUMBER	AIRLINE PART NO.	FIG.	ITEM	TTL REQ
315T3602-13		1	593	1
		2	1	RF
315T3602-13		9	368	1
315T3602-14		1	596	1
		2	5	RF
		9	371	1
315T3602-3		2	145	1
315T3602-4		2	160	1
315T3602-5009		2	10	1
315T3602-5010		2	15	1
315T3602-5011		2	10A	1
315T3602-5012		2	15A	1
315T3602-5013		2	10B	1
315T3602-5014		2	15B	1
315T3602-5015		2	10C	1
315T3602-5016		2	15C	1
315T3602-5017		2	10D	1
315T3602-5018		2	15D	1
315T3602-5021		2	10J	1
315T3602-5022		2	15E	1
315T3602-5029		2	10K	1
315T3602-5030		2	15F	1
315T3602-7		2	165	1
315T3602-9		2	155	1
315T3605-1		1	560	1
		9	329	1
315T3605-2		1	563	1
		9	332	1
315T3605-4		1	587	2
		9	359	2
315T3605-5001		1	589	1
		9	362	1
315T3605-5002		1	589A	1
		9	362A	1
315T3605-5003		1	589B	1
		9	362B	1
315T3605-7001		1	564	1
		9	335	1

78-31-14

ILLUSTRATED PARTS LIST
 01.1 Page 1022C
 Jul 01/04

PART NUMBER	AIRLINE PART NO.	FIG.	ITEM	TTL REQ
315T3631-11		2	227	1
315T3631-12		2	240D	1
315T3631-3		2	235	6
315T3631-7		2	225	6
		2	226	5
315T3631-8		2	240	6
		2	240B	5
315T3632-1		5	260	1
315T3632-2		5	265	1
315T3632-3		5	270	1
315T3632-4		5	275	1
315T3633-102		15	220	1
315T3633-26		2	245	6
315T3633-67		15	225	1
315T3633-68		15	255	1
315T3635-17		2	80	1
		2	90	1
315T3635-2		2	130	2
315T3635-20		2	80A	1
		2	90A	1
315T3635-3		2	95	8
		2	105	6
315T3635-4		2	75	7
		2	85	5
315T3635-5		2	120	4
315T3635-6		2	115	4
315T3635-7		2	65	4
315T3635-8		2	60	4
315T3635-9		2	135	2
315T3655-2		1	326	1
		9	565	1
315T3655-5		1	323	1
		9	562	1
315T3655-7		9	562A	1
315T3655-8		9	565A	1
315T3656-10		1	338	1
		9	577	1
		10	35	1
315T3656-17		1	335	1
		9	574	1
		10	30	1
315T3656-18		1	347	1
		9	586	1

78-31-14

 ILLUSTRATED PARTS LIST
 01.1 Page 1022D
 Jul 01/04

015T0438
 315T3001
 315T4726
 315T3055

 **BOEING**
 COMPONENT
 MAINTENANCE MANUAL

PART NUMBER	AIRLINE PART NO.	FIG.	ITEM	TTL REQ
315T3656-19		1	341	1
		9	580	1
315T3656-20		9	611	1
		10	105	1
315T3656-21		9	612	1
		10	100	1
315T3656-7		9	619A	1
		10	155	1
315T3656-8		9	620	1
315T3656-8		10	160	1
315T3656-9		1	350	1
		9	589	1
315T3658-1		9	618	1
		10	145	1
315T3658-10		9	617	1
		10	150	1
315T3701-1		1	401	1
		5	1	RF
		9	323	1
315T3701-2		1	404	1
		5	5	RF
		9	326	1
315T3701-5		5	285	1
315T3701-5001		5	10	1
315T3701-5002		5	15	1
315T3701-5003		5	10B	1
315T3701-5004		5	15B	1
315T3701-5005		5	10A	1
315T3701-5006		5	15A	1
315T3701-5007		5	10C	1
315T3701-5008		5	15C	1
315T3701-7001		5	130	1
315T3701-7002		5	135	1
315T3703-10		1	233	1
		9	233	1

78-31-14

ILLUSTRATED PARTS LIST
 01.1 Page 1022E
 Jul 01/04

PART NUMBER	AIRLINE PART NO.	FIG.	ITEM	TTL REQ
315T3703-3		1	173	1
		9	173	1
315T3703-4		1	176	1
		9	176	1
315T3703-5		1	224	1
		9	224	1
315T3703-6		1	227	1
		9	227	1
315T3703-9		1	230	1
		9	230	1
315T3705-37		4	115	1
315T3705-38		4	120	1
315T3705-39		4	145	1
315T3705-40		4	150	1
315T3705-45		4	60	1
315T3705-46		4	65	1
315T3705-59		1	68	1
315T3705-59		9	68	1
315T3705-60		1	143	1
		9	143	1
315T3705-61		1	41	1
		9	41	1
315T3705-62		1	110	1
		9	110	1
315T3705-63		1	44	1
		9	44	1
315T3705-64		1	113	1
		9	113	1
315T3705-65		1	23	1
		9	23	1
315T3705-66		1	92	1
		9	92	1
315T3705-67		4	20	1

78-31-14

015T0438
 315T3001
 315T4726
 315T3055

 **BOEING**
 COMPONENT
 MAINTENANCE MANUAL

PART NUMBER	AIRLINE PART NO.	FIG.	ITEM	TTL REQ
315T3705-68		4	25	1
315T3705-69		4	85	1
315T3705-70		4	90	1
315T3706-1		5	175	1
315T3706-2		5	180	1
315T3721-1		5	20	1
315T3721-10		5	50A	1
315T3721-2		5	50	1
315T3721-3		5	40	1
315T3721-4		5	35	1
315T3721-9		5	20B	1
315T3722-1		5	60	1
315T3722-10		5	65A	1
315T3722-11		5	105A	1
		5	120A	1
315T3722-12		5	110A	1
315T3722-14		5	125A	1
315T3722-2		5	65	1
315T3722-3		5	120	1
315T3722-4		5	125	1
315T3722-7		5	105	1
315T3722-8		5	110	1
315T3722-9		5	60A	1
315T3723-1		5	215	1
315T3723-3		1	248	1
		9	248	1
315T4026-19		1	731D	1
		9	815B	1
315T4026-20		1	734A	1
		9	820B	1
315T4026-23		9	815C	1
315T4026-24		9	820C	1
315T4157-1		9	664	1
315T4157-2		9	665N	1
315T4246-11		2	225E	6
315T4246-9		2	225D	6

78-31-14

ILLUSTRATED PARTS LIST
 01.1 Page 1022G
 Jul 01/04

PART NUMBER	AIRLINE PART NO.	FIG.	ITEM	TTL REQ
315T4531-1		1	85	1
		9	84	1
315T4531-5		4	215	1
315T4531-6		4	220	1
315T4532-1		9	743	5
		9	761	1
315T4716-1		2	221	1
315T4717-1		2	217	1
315T4726-11		2	310	1
315T4726-115		1	3B	RF
		9	3D	RF
315T4726-116		1	7E	RF
		9	4D	RF
315T4726-117		1	12C	RF
		9	8C	RF
315T4726-118		1	16Q	RF
		9	13C	RF
315T4726-119		1	3C	RF
315T4726-120		1	7F	RF
315T4726-121		1	12D	RF
315T4726-122		1	16R	RF
315T4726-123		1	3D	RF
315T4726-124		1	7G	RF
		9	4E	RF
315T4726-125		1	12E	RF
315T4726-126		1	16S	RF
		9	13D	RF
315T4726-127		1	3F	RF
		9	3F	RF
315T4726-128		1	7H	RF
		9	4F	RF
315T4726-129		1	12G	RF
		9	8E	RF
315T4726-130		1	16T	RF
		9	13E	RF
315T4726-131		1	4H	RF
		9	2B	RF
315T4726-132		1	8E	RF
		9	7C	RF
315T4726-133		1	13G	RF
		9	11E	RF
315T4726-134		1	17R	RF
		9	13T	RF
315T4726-135		1	4J	RF
		9	2C	RF

78-31-14

 ILLUSTRATED PARTS LIST
 01.1 Page 1022H
 Jul 01/04

015T0438
 315T3001
 315T4726
 315T3055

 **BOEING**
 COMPONENT
 MAINTENANCE MANUAL

PART NUMBER	AIRLINE PART NO.	FIG.	ITEM	TTL REQ
315T4726-136		1	8F	RF
		9	7D	RF
315T4726-137		1	13H	RF
		9	11F	RF
315T4726-138		1	17S	RF
		9	13U	RF
315T4726-143		1	11Q	RF
315T4726-144		1	2Q	RF
315T4726-147		1	3G	RF
		9	3G	RF
315T4726-148		1	7K	RF
		9	4H	RF
315T4726-149		1	12H	RF
		9	8F	RF
315T4726-150		1	16V	RF
		9	13G	RF
315T4726-151		1	2R	RF
		9	2L	RF
315T4726-152		1	8G	RF
		9	7E	RF
315T4726-153		1	11R	RF
		9	11P	RF
315T4726-154		1	18F	RF
		9	14W	RF
315T4726-155		1	3H	RF
		9	3H	RF
315T4726-156		1	7L	RF
		9	4J	RF
315T4726-157		1	12J	RF
		9	8G	RF
315T4726-158		1	16W	RF
		9	13H	RF
315T4726-165		1	3J	RF
		9	3J	RF
315T4726-166		1	7M	RF
		9	4K	RF

78-31-14

ILLUSTRATED PARTS LIST
 01.1 Page 1022I
 Jul 01/04

PART NUMBER	AIRLINE PART NO.	FIG.	ITEM	TTL REQ
315T4726-167		1	12K	RF
315T4726-167		9	8H	RF
315T4726-168		1	16X	RF
		9	13J	RF
315T4726-169		1	3K	RF
		9	3K	RF
315T4726-170		1	7N	RF
		9	4L	RF
315T4726-171		1	12L	RF
		9	8J	RF
315T4726-172		1	16Y	RF
		9	13K	RF
315T4726-177		1	3L	RF
		9	3L	RF
315T4726-178		1	7P	RF
		9	4M	RF
315T4726-179		1	12M	RF
		9	8K	RF
315T4726-18		2	345	1
315T4726-180		1	16Z	RF
		9	13L	RF
315T4726-181		1	2J	RF
		9	2F	RF
315T4726-182		1	6J	RF
		9	6G	RF
315T4726-183		1	11J	RF
		9	11J	RF
315T4726-184		1	17V	RF
		9	13X	RF
315T4726-185		1	2K	RF
		9	2G	RF
315T4726-186		1	6K	RF
		9	6H	RF
315T4726-187		1	11K	RF
		9	11K	RF

78-31-14

ILLUSTRATED PARTS LIST
01.1 Page 1022J
Jul 01/04

015T0438
 315T3001
 315T4726
 315T3055

 **BOEING**
 COMPONENT
 MAINTENANCE MANUAL

PART NUMBER	AIRLINE PART NO.	FIG.	ITEM	TTL REQ
315T4726-188		1	17W	RF
		9	13Y	RF
315T4726-19		1	13F	RF
315T4726-21		1	4G	RF
315T4726-39		1	3	RF
315T4726-40		1	7C	RF
315T4726-41		1	12A	RF
315T4726-42		1	16N	RF
315T4726-43		1	3A	RF
315T4726-44		1	7D	RF
		9	4C	RF
315T4726-45		1	12B	RF
315T4726-46		1	16P	RF
		9	13B	RF
315T4726-47		1	3Q	RF
		9	3Q	RF
315T4726-48		1	7T	RF
		9	8R	RF
315T4726-49		1	12S	RF
		9	4	RF
315T4726-50		1	17K	RF
		9	13Q	RF
315T4726-51		1	3E	RF
		9	3E	RF
315T4726-52		1	7J	RF
		9	4G	RF
315T4726-53		1	12F	RF
		9	8D	RF
315T4726-54		1	16U	RF
		9	13F	RF
315T4726-55		1	3M	RF
		9	3M	RF
315T4726-56		1	7Q	RF
		9	4N	RF

78-31-14

ILLUSTRATED PARTS LIST
 01.1 Page 1022K
 Jul 01/04

PART NUMBER	AIRLINE PART NO.	FIG.	ITEM	TTL REQ
315T4726-57		1	12N	RF
		9	8L	RF
315T4726-58		1	17G	RF
		9	13M	RF
315T4726-59		1	4	RF
		9	3	RF
315T4726-60		1	7A	RF
		9	4A	RF
315T4726-61		1	12	RF
		9	8	RF
315T4726-62		1	16L	RF
		9	13	RF
315T4726-63		1	4D	RF
		9	3C	RF
315T4726-64		1	8B	RF
		9	7B	RF
315T4726-65		1	13C	RF
		9	8B	RF
315T4726-66		1	17N	RF
		9	12B	RF
315T4726-67		1	4B	RF
		9	3B	RF
315T4726-68		1	8	RF
		9	7	RF
315T4726-69		1	13A	RF
		9	8A	RF
315T4726-7		2	290	1
315T4726-70		1	17L	RF
		9	12	RF
315T4726-71		1	4A	RF
		9	3A	RF
315T4726-72		1	7B	RF
		9	4B	RF
315T4726-73		1	13	RF
		9	11B	RF
315T4726-74		1	16M	RF
		9	13A	RF
315T4726-75		1	4C	RF
		9	2A	RF
315T4726-76		1	8A	RF
		9	7A	RF
315T4726-77		1	13B	RF
		9	11C	RF
315T4726-78		1	17M	RF
		9	12A	RF
315T4726-79		1	2P	RF
		9	2K	RF

78-31-14

 ILLUSTRATED PARTS LIST
 01.1 Page 1022L
 Jul 01/04

015T0438
 315T3001
 315T4726
 315T3055

 **BOEING**
 COMPONENT
 MAINTENANCE MANUAL

PART NUMBER	AIRLINE PART NO.	FIG.	ITEM	TTL REQ
315T4726-8		2	340	1
315T4726-80		1	6M	RF
		9	6K	RF
315T4726-81		1	11P	RF
		9	11N	RF
315T4726-82		1	17Z	RF
		9	14V	RF
315T4726-83		1	4E	RF
		9	3R	RF
315T4726-84		1	8C	RF
		9	4R	RF
315T4726-85		1	13D	RF
		9	8P	RF
315T4726-86		1	17P	RF
		9	13R	RF
315T4726-87		1	3N	RF
		9	3N	RF
315T4726-88		1	7R	RF
		9	4P	RF
315T4726-89		1	12P	RF
315T4726-89		9	8M	RF
315T4726-9		2	315	1
315T4726-90		1	17H	RF
		9	13N	RF
315T4726-91		1	4F	RF
		9	3S	RF
315T4726-92		1	8D	RF
		9	4S	RF
315T4726-93		1	13E	RF
		9	8Q	RF
315T4726-94		1	17Q	RF
		9	13S	RF
315T4726-95		1	3P	RF
		9	3P	RF
315T4726-96		1	7S	RF
		9	4Q	RF
315T4726-97		1	12Q	RF
		9	8N	RF
315T4726-98		1	17J	RF
		9	13P	RF
31783-6		2	305	1
		2	325	4
		2	355	4
31875-6H		2	300	1
325167		7	10	2
		8	35	1

78-31-14

ILLUSTRATED PARTS LIST
 01.1 Page 1022M
 Jul 01/04

PART NUMBER	AIRLINE PART NO.	FIG.	ITEM	TTL REQ
35056V06		2	300	1
35235V04		15	75	2
35235V06		2	168	6
		2	295	1
		2	320	4
		2	350	4
4242100-11		2	180	2
4242200-1		2	175	2
4242300-1		2	220	1
4671097H6		2	300	1
4671114-0404M		15	70	1
4690009-06J		2	210	1
4690009-12J		2	215	1
48-00R14-7P300		1	362	1
		9	601	1
		10	55	1
509S4		15	25	6
65407		1	365	1
		1	368	1
65407		9	607	1
		10	20	1
65408		1	371	1
		9	610	1
		10	15	1
66014-5		1	632	6
		6	30	4
		9	407	6
66014-6		6	50	3
		6	50A	2
		15	120	4
66014-8		1	668	20
		1	701	3
		9	681	20
		9	714	2
67067-8A11		5	145	1
67068-5A4		1	626	6
		9	401	6
8-344-02		1	191	1
		1	194	1
		9	191	1
		9	194	1

78-31-14

 ILLUSTRATED PARTS LIST
 01.1 Page 1022N
 Jul 01/04

015T0438
 315T3001
 315T4726
 315T3055

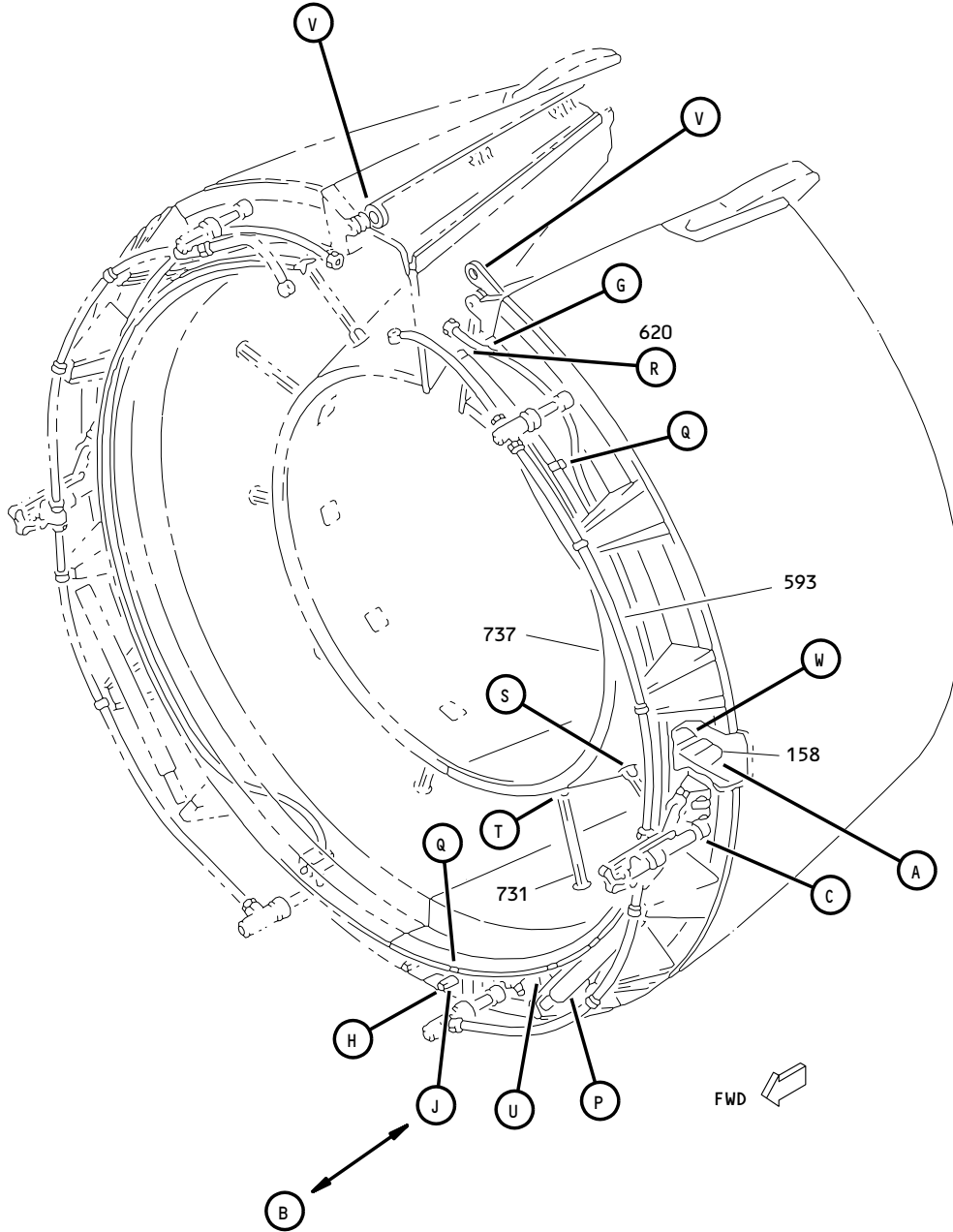
 **BOEING**
 COMPONENT
 MAINTENANCE MANUAL

PART NUMBER	AIRLINE PART NO.	FIG.	ITEM	TTL REQ
8-344-03		1	191	1
		1	194	1
		9	191	1
		9	194	1
		9	194	1
8-348-02		1	185	2
		1	188	2
		9	185	2
		9	188	2
		9	188	2
96-02		1	218	1
		3	30	41
		9	218	1
		15	20	6
96854P0181CCN		2	200	1
		2	205	1
		2	205	1
97E02		1	719	4
		2	50	16
		2	55	14
		5	210	1
		7	40	1
		9	497	4
		9	665J	1

78-31-14

ILLUSTRATED PARTS LIST
 01.1 Page 10220
 Jul 01/04

015T0438
315T3001
315T4726
315T3055

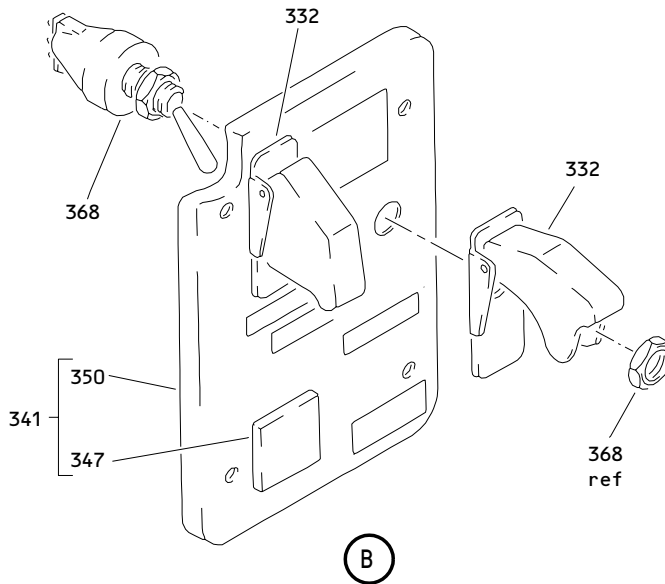
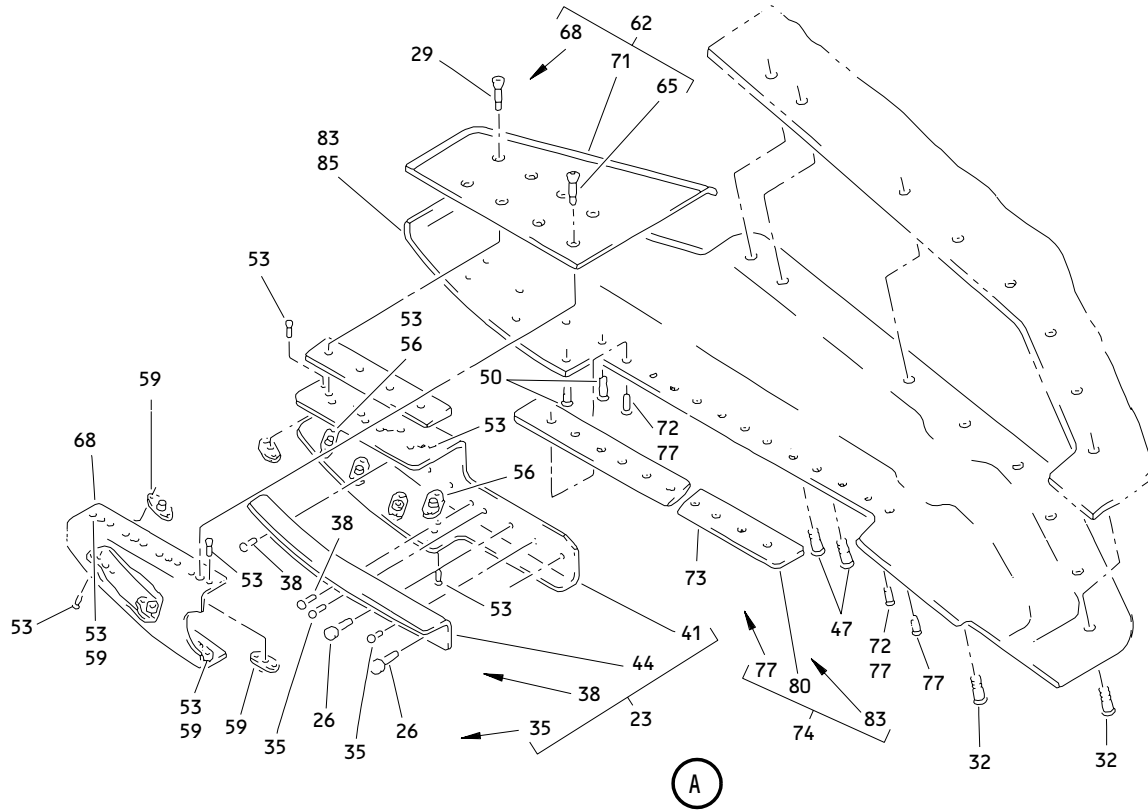


Fan Duct Cowl and Thrust Reverser Assembly
Figure 1 (Sheet 1)

78-31-14

ILLUSTRATED PARTS LIST
01.1 Page 1022Q
Jul 01/04

787232



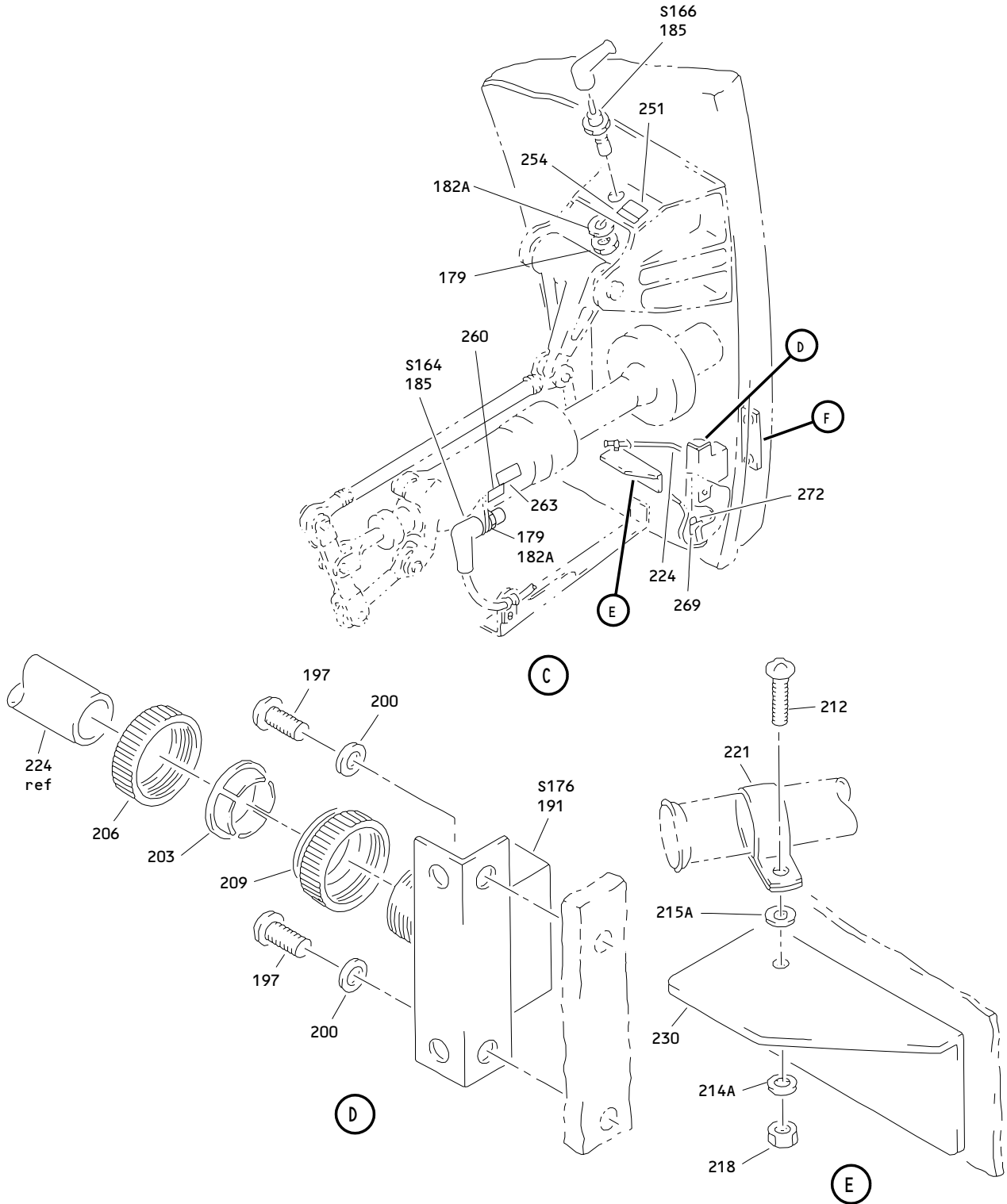
Fan Duct Cowl and Thrust Reverser Assembly
 Figure 1 (Sheet 2)

78-31-14

ILLUSTRATED PARTS LIST
 01.1 Page 1022R
 Jul 01/04

015T0438
 315T3001
 315T4726
 315T3055

BOEING
 COMPONENT
 MAINTENANCE MANUAL

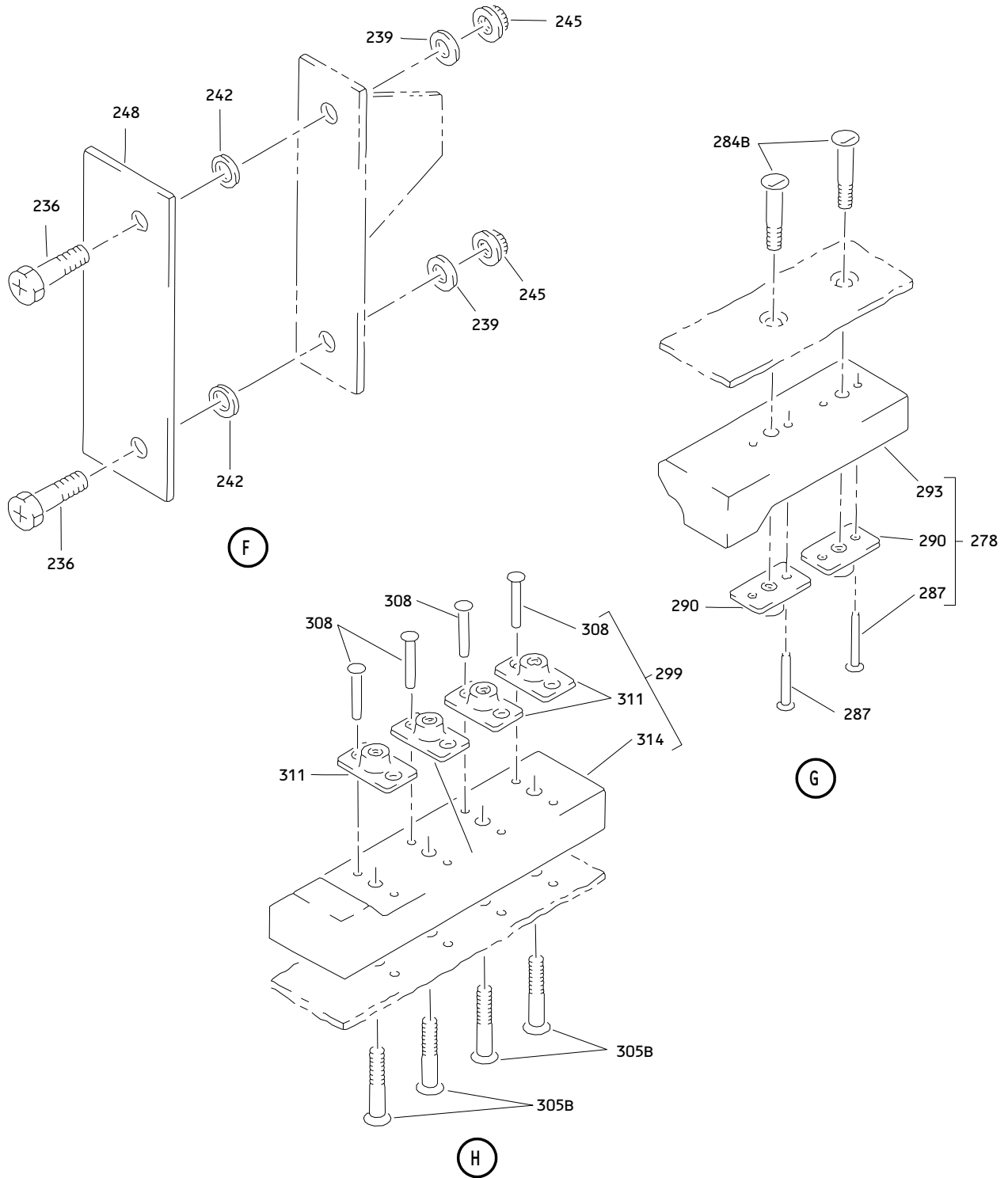


Fan Duct Cowl and Thrust Reverser Assembly
 Figure 1 (Sheet 3)

78-31-14

ILLUSTRATED PARTS LIST
 01.1 Page 1022S
 Jul 01/04

787235

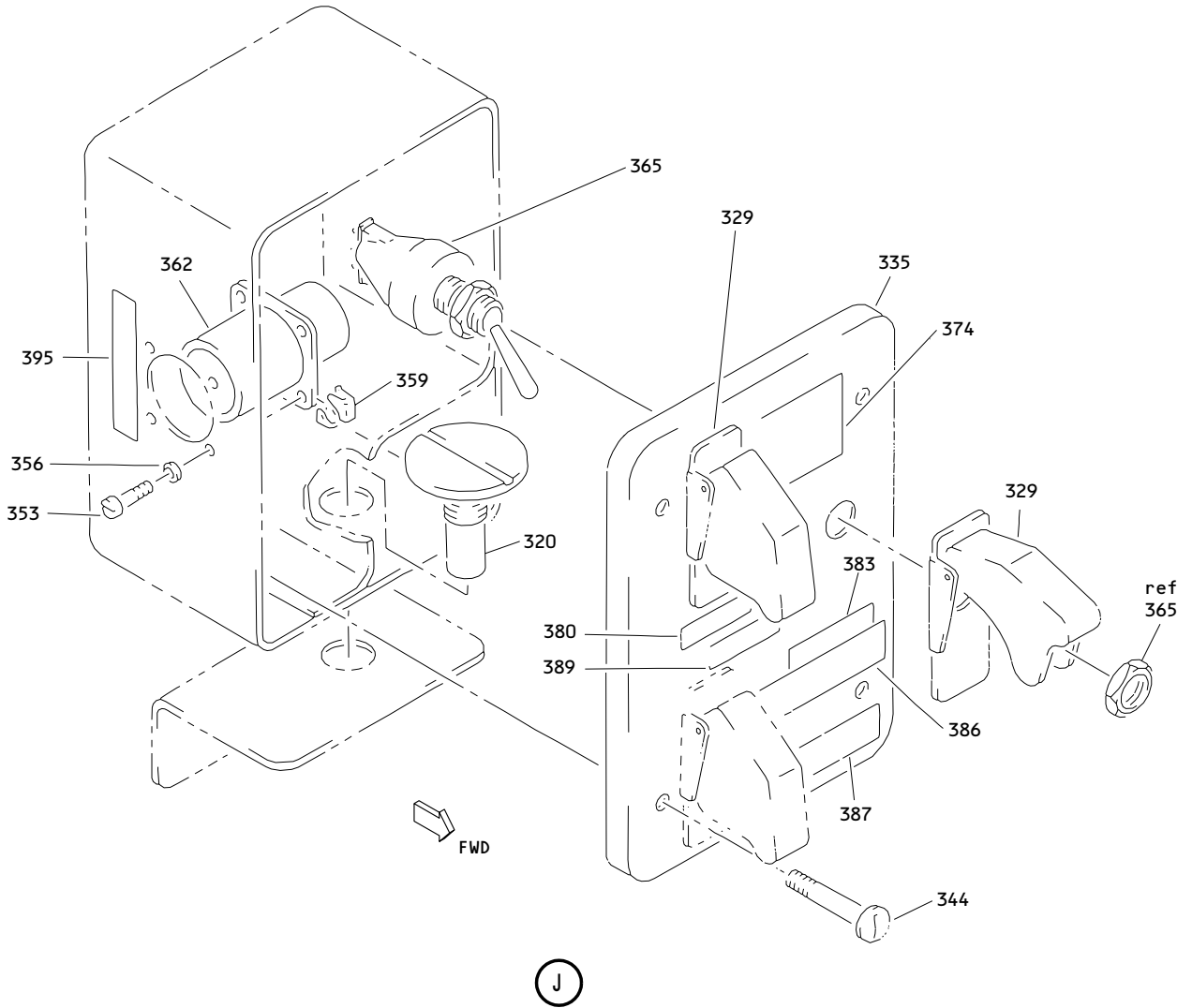


Fan Duct Cowl and Thrust Reverser Assembly
 Figure 1 (Sheet 4)

78-31-14

ILLUSTRATED PARTS LIST
 01.1 Page 1022T
 Jul 01/04

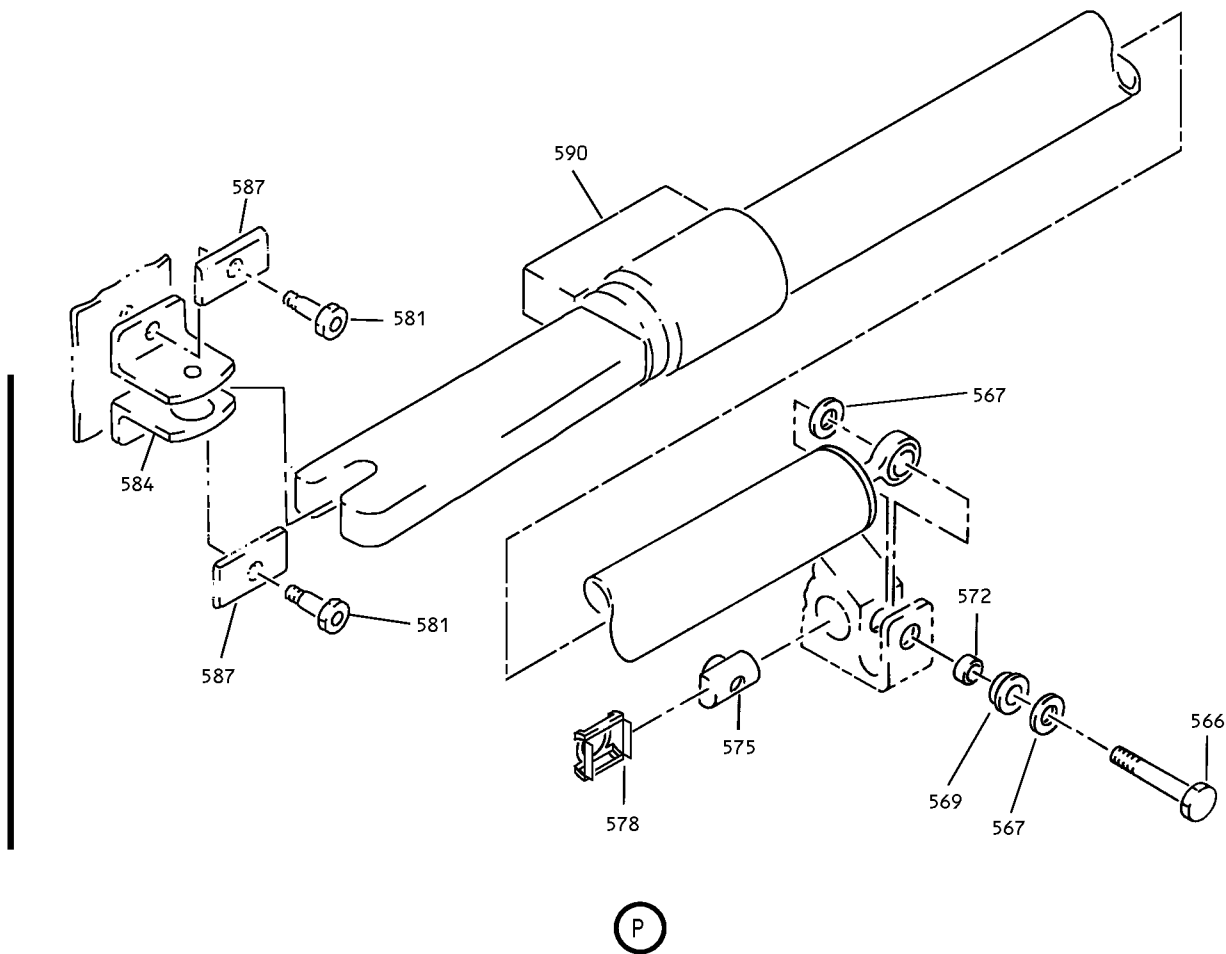
015T0438
315T3001
315T4726
315T3055



Fan Duct Cowl and Thrust Reverser Assembly
Figure 1 (Sheet 5)

78-31-14

ILLUSTRATED PARTS LIST
01.1 Page 1022U
Jul 01/04



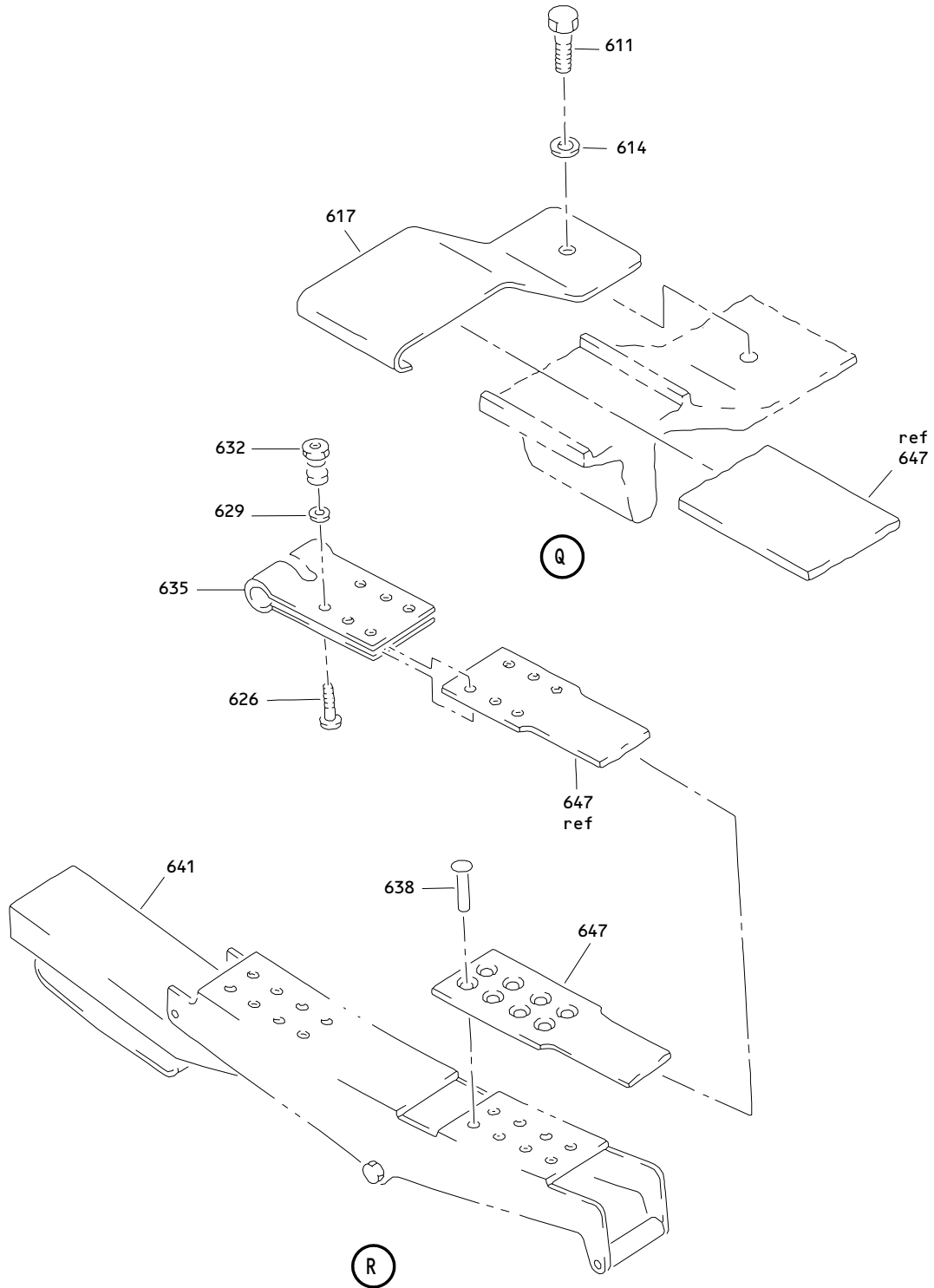
Fan Duct Cowl and Thrust Reverser Assembly
Figure 1 (Sheet 6)

78-31-14

ILLUSTRATED PARTS LIST
01.1 Page 1022V
Jul 01/04

015T0438
315T3001
315T4726
315T3055

BOEING
COMPONENT
MAINTENANCE MANUAL

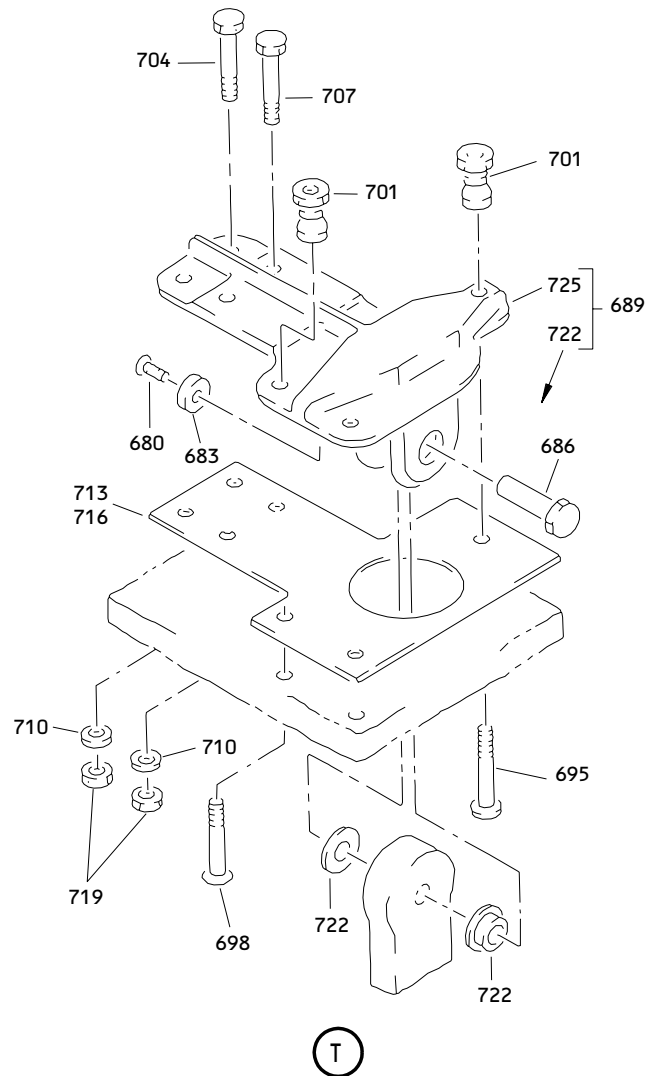
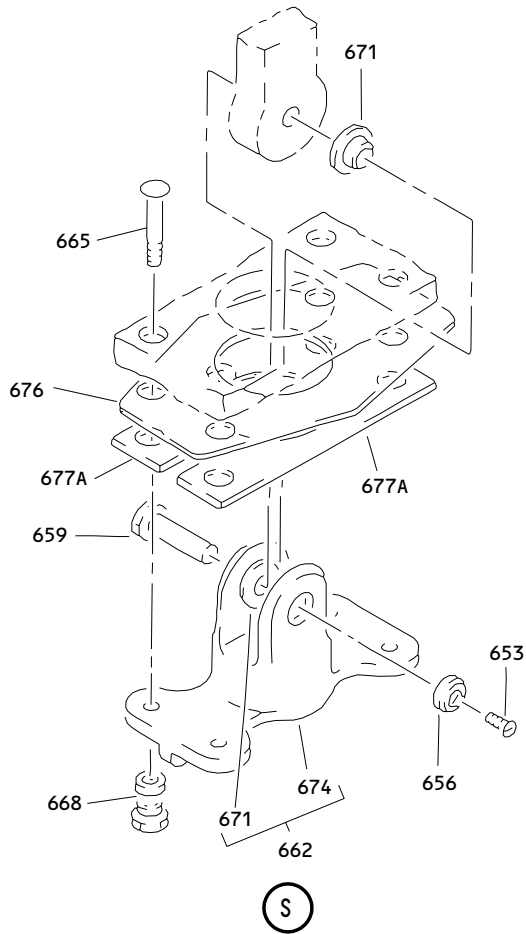


Fan Duct Cowl and Thrust Reverser Assembly
Figure 1 (Sheet 7)

78-31-14

ILLUSTRATED PARTS LIST
01.1 Page 1022W
Jul 01/04

787239

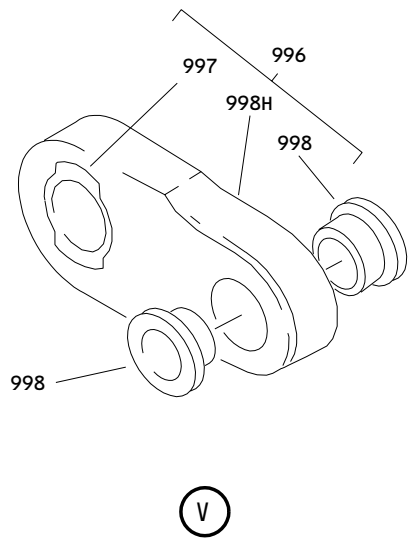
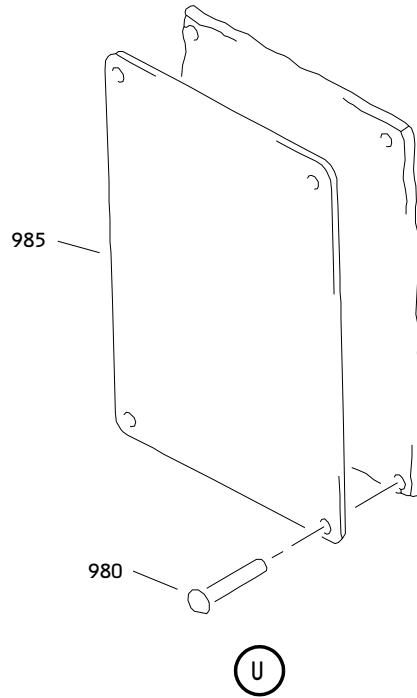


Fan Duct Cowl and Thrust Reverser Assembly
 Figure 1 (Sheet 8)

78-31-14

ILLUSTRATED PARTS LIST
 01.1 Page 1022X
 Jul 01/04

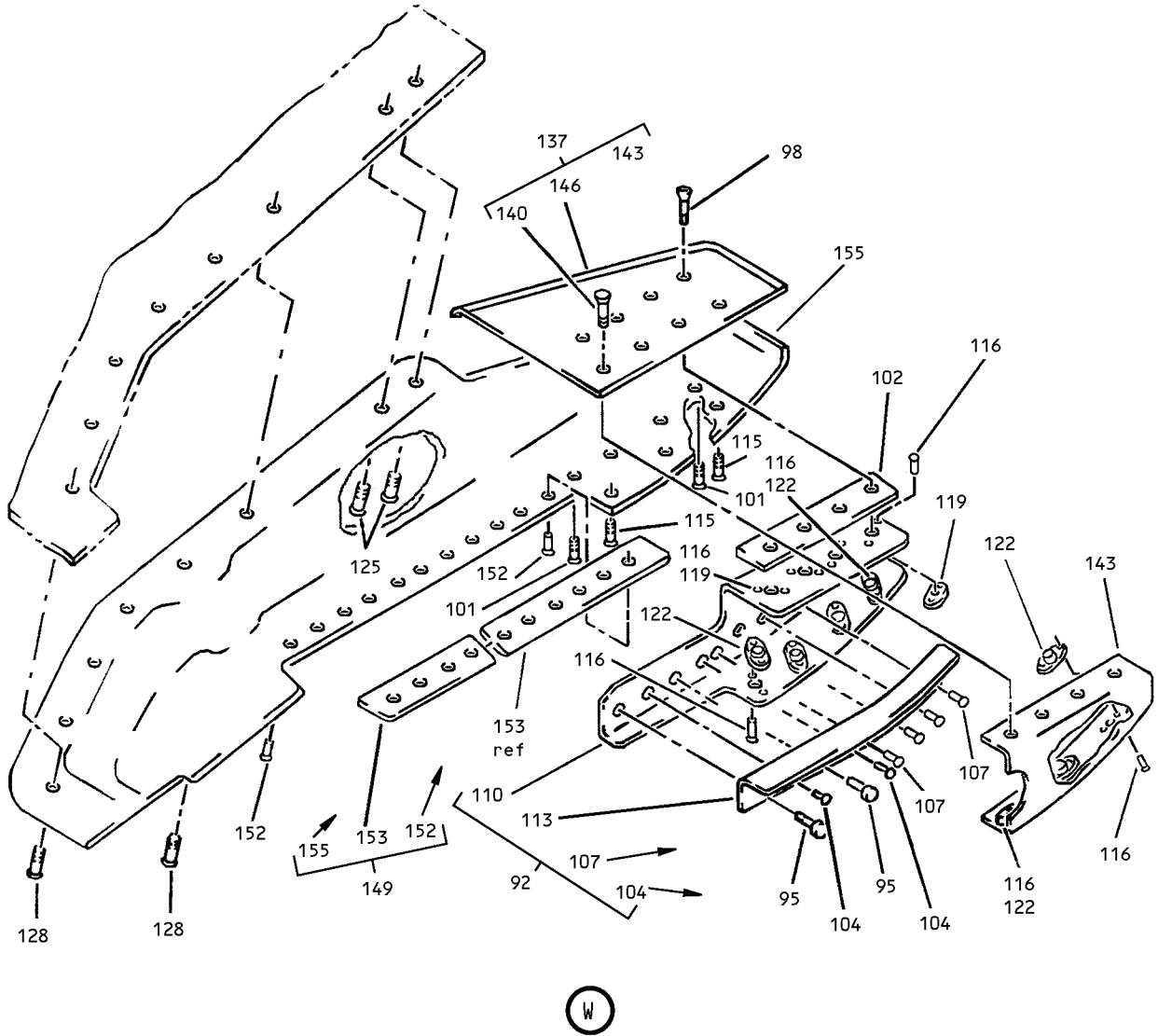
015T0438
315T3001
315T4726
315T3055



Fan Duct Cowl and Thrust Reverser Assembly
Figure 1 (Sheet 9)

78-31-14

ILLUSTRATED PARTS LIST
01.1 Page 1022Y
Jul 01/04



Fan Duct Cowl and Thrust Reverser Assembly
 Figure 1 (Sheet 10)

78-31-14

ILLUSTRATED PARTS LIST
 01.1 Page 1022Z
 Jul 01/04

015T0438
 315T3001
 315T4726
 315T3055

 **BOEING**
 COMPONENT
 MAINTENANCE MANUAL

FIG. & ITEM	PART NO.	AIRLINE PART NUMBER	NOMENCLATURE 1234567	EFF CODE	QTY PER ASSY
01- -1	315T3001-47SP		FAN DUCT COWL AND THRUST- REVERSER ASSY-(LH SIDE LH ENG) (PRE SB 767-54A0027) (PRE SB 767-78-0061)	A	RF
-1A	315T3001-55SP		FAN DUCT COWL AND THRUST- REVERSER ASSY-(LH SIDE LH ENG) (PRE SB 767-54A0027) (PRE SB 767-78-0061) (FOR DETAILS SEE FIG. 9)	E	RF
-1B	315T3001-51SP		FAN DUCT COWL AND THRUST- REVERSER ASSY-(LH SIDE LH ENG) (PRE SB 767-54A0027) (PRE SB 767-78-0061)	J	RF
-1C	315T3001-43SP		FAN DUCT COWL AND THRUST- REVERSER ASSY-(LH SIDE LH ENG) (PRE SB 767-54A0027) (PRE SB 767-78-0061) (FOR DETAILS SEE FIG. 9)	L	RF
-1D	315T3001-65SP		FAN DUCT COWL AND THRUST- REVERSER ASSY-(LH SIDE LH ENG) (PRE SB 767-54A0027) (PRE SB 767-78-0061) (PRE SB 767-78-0043) (FOR DETAILS SEE FIG. 9)	M	RF
-1E	315T3001-59SP		FAN DUCT COWL AND THRUST- REVERSER ASSY-(REWORK) (LH SIDE LH ENG)	HE	RF
-1F	315T3001-63SP		FAN DUCT COWL AND THRUST- REVERSER ASSY-(REWORK) (LH SIDE LH ENG) (PRE SB 767-54A0027) (PRE SB 767-78-0061)	HF	RF
-1G	315T3001-73SP		FAN DUCT COWL AND THRUST- REVERSER ASSY-(LH SIDE LH ENG) (PRE SB 767-54A0027) (PRE SB 767-78-0061) (FOR DETAILS SEE FIG. 9)	HG	RF

78-31-14

ILLUSTRATED PARTS LIST
 01.1 Page 1023
 Jul 01/04

FIG. & ITEM	PART NO.	AIRLINE PART NUMBER	NOMENCLATURE 1234567	EFF CODE	QTY PER ASSY
01- -1H	315T3001-77SP		FAN DUCT COWL AND THRUST- REVERSER ASSY-(LH SIDE LH ENG) (PRE SB 767-54A0027) (PRE SB 767-78-0061) (FOR DETAILS SEE FIG. 9)	HH	RF
-1J	315T3001-93SP		FAN DUCT COWL AND THRUST- REVERSER ASSY-(VARIABLE) (LH SIDE LH ENG) (PRE SB 767-54A0027) (PRE SB 767-78-0061) (FOR DETAILS SEE FIG. 9)	AE	RF
-1K	315T3001-105SP		FAN DUCT COWL AND THRUST- REVERSER ASSY-(LH SIDE LH ENG) (PRE SB 767-54A0027) (PRE SB 767-78-0061) (FOR DETAILS SEE FIG. 9)	AJ	RF
-1L	315T3001-97		DELETED		
-1M	315T3001-101		DELETED		
-1N	315T3001-97SP		FAN DUCT COWL AND THRUST- REVERSER ASSY-(REWORK) (LH SIDE LH ENG) (PRE SB 767-54A0027) (PRE SB 767-78-0061) (FOR DETAILS SEE FIG. 9)	N	RF
-1P	315T3001-101SP		FAN DUCT COWL AND THRUST- REVERSER ASSY-(REWORK) (LH SIDE LH ENG) (PRE SB 767-54A0027) (PRE SB 767-78-0061) (PRE SB 767-78-0043) (FOR DETAILS SEE FIG. 9)	P	RF
-1Q	315T3001-117SP		FAN DUCT COWL AND THRUST- REVERSER ASSY-(REWORK) (LH SIDE LH ENG) (PRE SB 767-54A0027) (PRE SB 767-78-0061) (FOR DETAILS SEE FIG. 9)	AN	RF
-1R	315T3001-121SP		FAN DUCT COWL AND THRUST- REVERSER ASSY-(LH SIDE LH ENG) (PRE SB 767-78-0061) (FOR DETAILS SEE FIG. 9)	AS	RF

78-31-14

 ILLUSTRATED PARTS LIST
 01.1 Page 1024
 Jul 01/04

015T0438
 315T3001
 315T4726
 315T3055

 **BOEING**
 COMPONENT
 MAINTENANCE MANUAL

FIG. & ITEM	PART NO.	AIRLINE PART NUMBER	NOMENCLATURE 1234567	EFF CODE	QTY PER ASSY
01- -1S	315T3001-125SP		FAN DUCT COWL AND THRUST- REVERSER ASSY-(LH SIDE LH ENG) (PRE SB 767-78-0061) (FOR DETAILS SEE FIG. 9)	AW	RF
-1T	315T3001-129SP		FAN DUCT COWL AND THRUST- REVERSER ASSY- (VARIABLE) (LH SIDE LH ENG) (PRE SB 767-78-0061) (FOR DETAILS SEE FIG. 9)	BA	RF
-1U	315T3001-133SP		FAN DUCT COWL AND THRUST- REVERSER ASSY-(LH SIDE LH ENG) (FOR DETAILS SEE FIG. 9)	BE	RF
-1V	315T3001-137SP		FAN DUCT COWL AND THRUST- REVERSER ASSY-(LH SIDE LH ENG) (FOR DETAILS SEE FIG. 9)	BF	RF
-1W	315T3001-141SP		FAN DUCT COWL AND THRUST- REVERSER ASSY-(VARIABLE) (LH SIDE LH ENG) (FOR DETAILS SEE FIG. 9)	BG	RF
-1X	015T0438-69		FAN DUCT COWL AND THRUST- REVERSER ASSY-(LH SIDE LH ENG) (POST SB 767-54A0027) (PRE SB 767-78-0061) (FOR DETAILS SEE FIG. 9)	BS	RF
-1Y	315T3001-133SP		FAN DUCT COWL AND THRUST- REVERSER ASSY-(LH SIDE LH ENG) (POST SB 767-54A0027) (PRE SB 767-78-0061) (FOR DETAILS SEE FIG. 9)	BT	RF
-1Z	015T0438-73		FAN DUCT COWL AND THRUST- REVERSER ASSY-(LH SIDE LH ENG) (POST SB 767-54A0027) (PRE SB 767-78-0061) (FOR DETAILS SEE FIG. 9)	BU	RF
-2	015T0438-27		FAN DUCT COWL AND THRUST- REVERSER ASSY-(LH SIDE LH ENG) (POST SB 767-54A0027) (PRE SB 767-78-0061) (FOR DETAILS SEE FIG. 9)	BV	RF

78-31-14

ILLUSTRATED PARTS LIST
 01.1 Page 1024A
 Jul 01/04

FIG. & ITEM	PART NO.	AIRLINE PART NUMBER	NOMENCLATURE 1234567	EFF CODE	QTY PER ASSY
01- -2A	015T0438-31		FAN DUCT COWL AND THRUST- REVERSER ASSY-(LH SIDE LH ENG) (POST SB 767-54A0027) (PRE SB 767-78-0061) (FOR DETAILS SEE FIG. 9)	BW	RF
-2B	315T3001-141SP		FAN DUCT COWL AND THRUST- REVERSER ASSY-(VARIABLE) (LH SIDE LH ENG) (POST SB 767-54A0027) (PRE SB 767-78-0061) (FOR DETAILS SEE FIG. 9)	BX	RF
-2C	315T3001-137SP		FAN DUCT COWL AND THRUST- REVERSER ASSY-(LH SIDE LH ENG) (POST SB 767-54A0027) (PRE SB 767-78-0061) (FOR DETAILS SEE FIG. 9)	BY	RF
-2D	015T0438-43		FAN DUCT COWL AND THRUST- REVERSER ASSY-(LH SIDE LH ENG) (POST SB 767-54A0027) (PRE SB 767-78-0061) (FOR DETAILS SEE FIG. 9)	BZ	RF
-2E	015T0438-51		FAN DUCT COWL AND THRUST- REVERSER ASSY-(LH SIDE LH ENG) (POST SB 767-54A0027) (PRE SB 767-78-0061) (FOR DETAILS SEE FIG. 9)	CA	RF
-2F	015T0438-47		FAN DUCT COWL AND THRUST- REVERSER ASSY-(LH SIDE LH ENG) (POST SB 767-54A0027) (PRE SB 767-78-0061) (FOR DETAILS SEE FIG. 9)	CB	RF
-2G	315T3055-3		FAN DUCT COWL AND THRUST- REVERSER ASSY-(LH SIDE LH ENG) (POST SB 767-78-0043) (PRE SB 767-78-0061) (FOR DETAILS SEE FIG. 9)	JD	RF

78-31-14

 ILLUSTRATED PARTS LIST
 01.1 Page 1024B
 Jul 01/04

015T0438
 315T3001
 315T4726
 315T3055

 **BOEING**
 COMPONENT
 MAINTENANCE MANUAL

FIG. & ITEM	PART NO.	AIRLINE PART NUMBER	NOMENCLATURE 1234567	EFF CODE	QTY PER ASSY
01- -2H	315T3055-7		FAN DUCT COWL AND THRUST- REVERSER ASSY-(LH SIDE LH ENG) (POST SB 767-78-0043) (PRE SB 767-78-0061) (FOR DETAILS SEE FIG. 9)	JE	RF
-2J	315T4726-181		FAN DUCT COWL AND THRUST- REVERSER ASSY-(LH SIDE LH ENG) (POST SB 767-78-0061) (FOR DETAILS SEE FIG. 9)	JF	RF
-2K	315T4726-185		FAN DUCT COWL AND THRUST- REVERSER ASSY-(LH SIDE LH ENG) (POST SB 767-78-0061) (FOR DETAILS SEE FIG. 9)	JG	RF
R -2L	015T0438-35		FAN DUCT COWL AND THRUST- REVERSER ASSY-(LH SIDE LH ENG) (POST SB 767-54A0027) (PRE SB 767-78-0061) (FOR DETAILS SEE FIG. 9)	JV	RF
R -2M	015T0438-39		FAN DUCT COWL AND THRUST- REVERSER ASSY-(LH SIDE LH ENG) (POST SB 767-54A0027) (PRE SB 767-78-0061) (FOR DETAILS SEE FIG. 9)	JW	RF
R -2N	015T0438-78		FAN DUCT COWL AND THRUST- REVERSER ASSY-(LH SIDE LH ENG) (POST SB 767-54A0027) (PRE SB 767-78-0061) (FOR DETAILS SEE FIG. 9)	JX	RF
R -2P	315T4726-79		FAN DUCT COWL AND THRUST- REVERSER ASSY-(LH SIDE LH ENG) (POST SB 767-78-0061) (FOR DETAILS SEE FIG. 9)	JY	RF
R -2Q	315T4726-144		FAN DUCT COWL AND THRUST- REVERSER ASSY-(LH SIDE LH ENG) (POST SB 767-78-0061)	JZ	RF

78-31-14

ILLUSTRATED PARTS LIST
 01.1 Page 1024C
 Jul 01/04

FIG. & ITEM	PART NO.	AIRLINE PART NUMBER	NOMENCLATURE 1234567	EFF CODE	QTY PER ASSY
R 01- -2R	315T4726-151		FAN DUCT COWL AND THRUST- REVERSER ASSY-(LH SIDE LH ENG) (POST SB 767-78-0061) (FOR DETAILS SEE FIG. 9)	KA	RF
-3	315T4726-39		FAN DUCT COWL AND THRUST- REVERSER ASSY-(LH SIDE LH ENG) (POST SB 767-78-0061)	EE	RF
-3A	315T4726-43		FAN DUCT COWL AND THRUST- REVERSER ASSY-(LH SIDE LH ENG) (POST SB 767-78-0061)	EJ	RF
-3B	315T4726-115		FAN DUCT COWL AND THRUST- REVERSER ASSY-(LH SIDE LH ENG) (POST SB 767-78-0061) (FOR DETAILS SEE FIG. 9)	EN	RF
-3C	315T4726-119		FAN DUCT COWL AND THRUST- REVERSER ASSY-(LH SIDE LH ENG) (POST SB 767-78-0061)	ES	RF
-3D	315T4726-123		FAN DUCT COWL AND THRUST- REVERSER ASSY-(LH SIDE LH ENG) (POST SB 767-78-0061)	EW	RF
-3E	315T4726-51		FAN DUCT COWL AND THRUST- REVERSER ASSY-(LH SIDE LH ENG) (POST SB 767-78-0061) (FOR DETAILS SEE FIG. 9)	FA	RF
-3F	315T4726-127		FAN DUCT COWL AND THRUST- REVERSER ASSY-(LH SIDE LH ENG) (POST SB 767-78-0061)	FC	RF
-3G	315T4726-147		FAN DUCT COWL AND THRUST- REVERSER ASSY-(LH SIDE LH ENG) (POST SB 767-78-0061) (FOR DETAILS SEE FIG. 9)	FJ	RF

78-31-14

 ILLUSTRATED PARTS LIST
 01.1 Page 1024D
 Jul 01/04

015T0438
 315T3001
 315T4726
 315T3055

 **BOEING**
 COMPONENT
 MAINTENANCE MANUAL

FIG. & ITEM	PART NO.	AIRLINE PART NUMBER	NOMENCLATURE 1234567	EFF CODE	QTY PER ASSY
01- -3H	315T4726-155		FAN DUCT COWL AND THRUST- REVERSER ASSY-(LH SIDE LH ENG) (POST SB 767-78-0061) (FOR DETAILS SEE FIG. 9)	FN	RF
-3J	315T4726-165		FAN DUCT COWL AND THRUST- REVERSER ASSY-(LH SIDE LH ENG) (POST SB 767-78-0061) (FOR DETAILS SEE FIG. 9)	FS	RF
-3K	315T4726-169		FAN DUCT COWL AND THRUST- REVERSER ASSY-(LH SIDE LH ENG) (POST SB 767-78-0061) (FOR DETAILS SEE FIG. 9)	FW	RF
-3L	315T4726-177		FAN DUCT COWL AND THRUST- REVERSER ASSY-(LH SIDE LH ENG) (POST SB 767-78-0061) (FOR DETAILS SEE FIG. 9)	GA	RF
-3M	315T4726-55		FAN DUCT COWL AND THRUST- REVERSER ASSY-(LH SIDE LH ENG) (POST SB 767-78-0061) (FOR DETAILS SEE FIG. 9)	GE	RF
-3N	315T4726-87		FAN DUCT COWL AND THRUST- REVERSER ASSY-(LH SIDE LH ENG) (POST SB 767-78-0061) (FOR DETAILS SEE FIG. 9)	GJ	RF
-3P	315T4726-95		FAN DUCT COWL AND THRUST- REVERSER ASSY- (LH SIDE LH ENG) (POST SB 767-78-0061) (FOR DETAILS SEE FIG. 9)	GN	RF
-3Q	315T4726-47		FAN DUCT COWL AND THRUST- REVERSER ASSY-(LH SIDE LH ENG) (POST SB 767-78-0061) (FOR DETAILS SEE FIG. 9)	GS	RF
-4	315T4726-59		FAN DUCT COWL AND THRUST- REVERSER ASSY-(LH SIDE LH ENG) (POST SB 767-78-0061) (FOR DETAILS SEE FIG. 9)	DJ	RF

78-31-14

ILLUSTRATED PARTS LIST
 01.1 Page 1024E
 Jul 01/04

FIG. & ITEM	PART NO.	AIRLINE PART NUMBER	NOMENCLATURE 1234567	EFF CODE	QTY PER ASSY
01- -4A	315T4726-71		FAN DUCT COWL AND THRUST- REVERSER ASSY-(LH SIDE LH ENG) (POST SB 767-78-0061) (FOR DETAILS SEE FIG. 9)	DN	RF
-4B	315T4726-67		FAN DUCT COWL AND THRUST- REVERSER ASSY-(LH SIDE LH ENG) (POST SB 767-78-0061) (FOR DETAILS SEE FIG. 9)	DS	RF
-4C	315T4726-75		FAN DUCT COWL AND THRUST- REVERSER ASSY-(LH SIDE LH ENG) (POST SB 767-78-0061) (FOR DETAILS SEE FIG. 9)	DW	RF
-4D	315T4726-63		FAN DUCT COWL AND THRUST- REVERSER ASSY-(LH SIDE LH ENG) (POST SB 767-78-0061) (FOR DETAILS SEE FIG. 9)	EA	RF
-4E	315T4726-83		FAN DUCT COWL AND THRUST- REVERSER ASSY-(LH SIDE LH ENG) (POST SB 767-78-0061) (FOR DETAILS SEE FIG. 9)	GW	RF
-4F	315T4726-91		FAN DUCT COWL AND THRUST- REVERSER ASSY-(LH SIDE LH ENG) (POST SB 767-78-0061) (FOR DETAILS SEE FIG. 9)	HA	RF
-4G	315T4726-21		FAN DUCT COWL AND THRUST- REVERSER ASSY-(LH SIDE LH ENG) (POST SB 767-78-0061) (FOR DETAILS SEE FIG. 9)	HJ	RF
-4H	315T4726-131		FAN DUCT COWL AND THRUST- REVERSER ASSY-(LH SIDE LH ENG) (POST SB 767-78-0061) (FOR DETAILS SEE FIG. 9)	HK	RF
-4J	315T4726-135		FAN DUCT COWL AND THRUST- REVERSER ASSY-(LH SIDE LH ENG) (POST SB 767-78-0061) (FOR DETAILS SEE FIG. 9)	HL	RF

78-31-14

 ILLUSTRATED PARTS LIST
 01.1 Page 1024F
 Jul 01/04

015T0438
 315T3001
 315T4726
 315T3055

 **BOEING**
 COMPONENT
 MAINTENANCE MANUAL

FIG. & ITEM	PART NO.	AIRLINE PART NUMBER	NOMENCLATURE 1234567	EFF CODE	QTY PER ASSY
01-5	315T3001-48SP		FAN DUCT COWL AND THRUST-REVERSER ASSY-(RH SIDE LH ENG) (PRE SB 767-54A0027) (PRE SB 767-78-0061)	B	RF
-5A	315T3001-52SP		FAN DUCT COWL AND THRUST-REVERSER ASSY-(RH SIDE LH ENG) (PRE SB 767-54A0027) (PRE SB 767-78-0061)	F	RF
-5B	315T3001-44SP		(FOR DETAILS SEE FIG. 9) FAN DUCT COWL AND THRUST-REVERSER ASSY-(RH SIDE LH ENG) (PRE SB 767-54A0027) (PRE SB 767-78-0061)	Q	RF
-5C	315T3001-66SP		(FOR DETAILS SEE FIG. 9) FAN DUCT COWL AND THRUST-REVERSER ASSY-(RH SIDE LH ENG) (PRE SB 767-54A0027) (PRE SB 767-78-0061) (PRE SB 767-78-0043)	R	RF
-5D	315T3001-74SP		(FOR DETAILS SEE FIG. 9) FAN DUCT COWL AND THRUST-REVERSER ASSY-(RH SIDE LH ENG) (PRE SB 767-78-0061)	HM	RF
-5E	315T3001-78SP		(FOR DETAILS SEE FIG. 9) FAN DUCT COWL AND THRUST-REVERSER ASSY-(RH SIDE LH ENG) (PRE SB 767-54A0027) (PRE SB 767-78-0061)	HN	RF
-5F	315T3001-82SP		(FOR DETAILS SEE FIG. 9) FAN DUCT COWL AND THRUST-REVERSER ASSY-(RH SIDE LH ENG) (PRE SB 767-54A0027) (PRE SB 767-78-0061)	Z	RF

78-31-14

ILLUSTRATED PARTS LIST
 01.1 Page 1024G
 Jul 01/04

FIG. & ITEM	PART NO.	AIRLINE PART NUMBER	NOMENCLATURE 1234567	EFF CODE	QTY PER ASSY
01- -5G	315T3001-94SP		FAN DUCT COWL AND THRUST- REVERSER ASSY-(VARIABLE) (RH SIDE LH ENG) (PRE SB 767-54A0027) (PRE SB 767-78-0061) (FOR DETAILS SEE FIG. 9)	AF	RF
-5H	315T3001-106SP		FAN DUCT COWL AND THRUST- REVERSER ASSY-(RH SIDE LH ENG) (PRE SB 767-54A0027) (PRE SB 767-78-0061) (FOR DETAILS SEE FIG. 9)	AK	RF
-5J	315T3001-98		DELETED		
-5K	315T3001-102		DELETED		
-5L	315T3001-98SP		FAN DUCT COWL AND THRUST- REVERSER ASSY-(REWORK) (RH SIDE LH ENG) (PRE SB 767-54A0027) (PRE SB 767-78-0061) (FOR DETAILS SEE FIG. 9)	X	RF
-5M	315T3001-102SP		FAN DUCT COWL AND THRUST- REVERSER ASSY-(REWORK) (RH SIDE LH ENG) (PRE SB 767-54A0027) (PRE SB 767-78-0061) (PRE SB 767-78-0043) (FOR DETAILS SEE FIG. 9)	Y	RF
-5N	315T3001-118SP		FAN DUCT COWL AND THRUST- REVERSER ASSY-(REWORK) (RH SIDE LH ENG) (PRE SB 767-54A0027) (PRE SB 767-78-0061) (FOR DETAILS SEE FIG. 9)	AP	RF
-5P	315T3001-122SP		FAN DUCT COWL AND THRUST- REVERSER ASSY-(RH SIDE LH ENG) (PRE SB 767-78-0061) (FOR DETAILS SEE FIG. 9)	AT	RF
-5Q	315T3001-126SP		FAN DUCT COWL AND THRUST- REVERSER ASSY-(RH SIDE LH ENG) (PRE SB 767-78-0061) (FOR DETAILS SEE FIG. 9)	AX	RF

78-31-14

 ILLUSTRATED PARTS LIST
 01.1 Page 1024H
 Jul 01/04

015T0438
 315T3001
 315T4726
 315T3055

 **BOEING**
 COMPONENT
 MAINTENANCE MANUAL

FIG. & ITEM	PART NO.	AIRLINE PART NUMBER	NOMENCLATURE 1234567	EFF CODE	QTY PER ASSY
01- -5R	315T3001-130SP		FAN DUCT COWL AND THRUST- REVERSER ASSY-(VARIABLE) (RH SIDE LH ENG) (PRE SB 767-78-0061) (FOR DETAILS SEE FIG. 9)	BB	RF
-5S	315T3001-134SP		FAN DUCT COWL AND THRUST- REVERSER ASSY-(RH SIDE LH ENG) (FOR DETAILS SEE FIG. 9)	BH	RF
-5T	315T3001-138SP		FAN DUCT COWL AND THRUST- REVERSER ASSY-(RH SIDE LH ENG) (FOR DETAILS SEE FIG. 9)	BJ	RF
-5U	315T3001-142SP		FAN DUCT COWL AND THRUST- REVERSER ASSY-(VARIABLE) (RH SIDE LH ENG) (FOR DETAILS SEE FIG. 9)	BK	RF
-5V	015T0438-70		FAN DUCT COWL AND THRUST- REVERSER ASSY-(RH SIDE LH ENG) (POST SB 767-54A0027) (PRE SB 767-78-0061)	CC	RF
-5W	015T0438-74		FAN DUCT COWL AND THRUST- REVERSER ASSY-(RH SIDE LH ENG) (POST SB 767-54A0027) (PRE SB 767-78-0061) (FOR DETAILS SEE FIG. 9)	CD	RF
-5X	015T0438-28		FAN DUCT COWL AND THRUST- REVERSER ASSY-(RH SIDE LH ENG) (POST SB 767-54A0027) (PRE SB 767-78-0061) (FOR DETAILS SEE FIG. 9)	CE	RF
-5Y	015T0438-32		FAN DUCT COWL AND THRUST- REVERSER ASSY-(RH SIDE LH ENG) (POST SB 767-54A0027) (PRE SB 767-78-0061) (FOR DETAILS SEE FIG. 9)	CF	RF
-5Z	315T3001-135SP		DELETED		

78-31-14

ILLUSTRATED PARTS LIST
 01.1 Page 1024I
 Jul 01/04

FIG. & ITEM	PART NO.	AIRLINE PART NUMBER	NOMENCLATURE 1234567	EFF CODE	QTY PER ASSY
01- -6	315T3001-142SP		FAN DUCT COWL AND THRUST- REVERSER ASSY-(VARIABLE) (RH SIDE LH ENG) (POST SB 767-54A0027) (PRE SB 767-78-0061) (FOR DETAILS SEE FIG. 9)	CH	RF
-6A	315T3001-138SP		FAN DUCT COWL AND THRUST- REVERSER ASSY-(RH SIDE LH ENG) (POST SB 767-54A0027) (PRE SB 767-78-0061) (FOR DETAILS SEE FIG. 9)	CJ	RF
-6B	015T0438-44		FAN DUCT COWL AND THRUST- REVERSER ASSY-(RH SIDE LH ENG) (POST SB 767-54A0027) (PRE SB 767-78-0061) (FOR DETAILS SEE FIG. 9)	CK	RF
-6C	015T0438-52		FAN DUCT COWL AND THRUST- REVERSER ASSY-(RH SIDE LH ENG) (POST SB 767-54A0027) (PRE SB 767-78-0061) (FOR DETAILS SEE FIG. 9)	CL	RF
-6D	015T0438-48		FAN DUCT COWL AND THRUST- REVERSER ASSY-(RH SIDE LH ENG) (POST SB 767-54A0027) (PRE SB 767-78-0061) (FOR DETAILS SEE FIG. 9)	CM	RF
-6E	315T3001-134SP		FAN DUCT COWL AND THRUST- REVERSER ASSY-(RH SIDE LH ENG) (POST SB 767-54A0027) (PRE SB 767-78-0061) (FOR DETAILS SEE FIG. 9)	CG	RF
-6F	015T0438-36		FAN DUCT COWL AND THRUST- REVERSER ASSY-(RH SIDE LH ENG) (PRE SB 767-78-0061) (FOR DETAILS SEE FIG. 9)	JB	RF

78-31-14

 ILLUSTRATED PARTS LIST
 01.1 Page 1024J
 Jul 01/04

015T0438
 315T3001
 315T4726
 315T3055

 **BOEING**
 COMPONENT
 MAINTENANCE MANUAL

FIG. & ITEM	PART NO.	AIRLINE PART NUMBER	NOMENCLATURE 1234567	EFF CODE	QTY PER ASSY
01- -6G	315T3055-4		FAN DUCT COWL AND THRUST- REVERSER ASSY-(RH SIDE LH ENG) (POST SB 767-78-0043) (PRE SB 767-78-0061) (FOR DETAILS SEE FIG. 9)	JH	RF
-6H	315T3055-8		FAN DUCT COWL AND THRUST- REVERSER ASSY-(RH SIDE LH ENG) (POST SB 767-78-0043) (PRE SB 767-78-0061) (FOR DETAILS SEE FIG. 9)	JJ	RF
-6J	315T4726-182		FAN DUCT COWL AND THRUST- REVERSER ASSY-(RH SIDE LH ENG) (POST SB 767-78-0061) (FOR DETAILS SEE FIG. 9)	JK	RF
-6K	315T4726-186		FAN DUCT COWL AND THRUST- REVERSER ASSY-(RH SIDE LH ENG) (POST SB 767-78-0061) (FOR DETAILS SEE FIG. 9)	JL	RF
R -6L	015T0438-40		FAN DUCT COWL AND THRUST- REVERSER ASSY-(RH SIDE LH ENG) (POST SB 767-54A0027) (PRE SB 767-78-0061) (FOR DETAILS SEE FIG. 9)	KB	RF
R -6M	315T4726-80		FAN DUCT COWL AND THRUST- REVERSER ASSY-(RH SIDE LH ENG) (POST SB 767-78-0061) (FOR DETAILS SEE FIG. 9)	KC	RF
-7 -7A	315T4726-49 315T4726-60		DELETED FAN DUCT COWL AND THRUST- REVERSER ASSY-(RH SIDE LH ENG) (POST SB 767-78-0061) (FOR DETAILS SEE FIG. 9)	DK	RF
-7B	315T4726-72		FAN DUCT COWL AND THRUST- REVERSER ASSY-(RH SIDE LH ENG) (POST SB 767-78-0061) (FOR DETAILS SEE FIG. 9)	DP	RF

78-31-14

ILLUSTRATED PARTS LIST
 01.1 Page 1024K
 Jul 01/04

FIG. & ITEM	PART NO.	AIRLINE PART NUMBER	NOMENCLATURE 1234567	EFF CODE	QTY PER ASSY
01- -7C	315T4726-40		FAN DUCT COWL AND THRUST- REVERSER ASSY--(RH SIDE LH ENG) (POST SB 767-78-0061)	EF	RF
-7D	315T4726-44		FAN DUCT COWL AND THRUST- REVERSER ASSY--(RH SIDE LH ENG) (POST SB 767-78-0061)	EK	RF
-7E	315T4726-116		(FOR DETAILS SEE FIG. 9) FAN DUCT COWL AND THRUST- REVERSER ASSY--(RH SIDE LH ENG) (POST SB 767-78-0061)	EP	RF
-7F	315T4726-120		(FOR DETAILS SEE FIG. 9) FAN DUCT COWL AND THRUST- REVERSER ASSY--(RH SIDE LH ENG) (POST SB 767-78-0061)	ET	RF
-7G	315T4726-124		(FOR DETAILS SEE FIG. 9) FAN DUCT COWL AND THRUST- REVERSER ASSY--(RH SIDE LH ENG) (POST SB 767-78-0061)	EX	RF
-7H	315T4726-128		(FOR DETAILS SEE FIG. 9) FAN DUCT COWL AND THRUST- REVERSER ASSY--(RH SIDE LH ENG) (POST SB 767-78-0061)	FD	RF
-7J	315T4726-52		(FOR DETAILS SEE FIG. 9) FAN DUCT COWL AND THRUST- REVERSER ASSY--(RH SIDE LH ENG) (POST SB 767-78-0061)	FG	RF
-7K	315T4726-148		(FOR DETAILS SEE FIG. 9) FAN DUCT COWL AND THRUST- REVERSER ASSY--(RH SIDE LH ENG) (POST SB 767-78-0061)	FK	RF
-7L	315T4726-156		(FOR DETAILS SEE FIG. 9) FAN DUCT COWL AND THRUST- REVERSER ASSY--(RH SIDE LH ENG) (POST SB 767-78-0061)	FP	RF
			(FOR DETAILS SEE FIG. 9)		

78-31-14

 ILLUSTRATED PARTS LIST
 01.1 Page 1024L
 Jul 01/04

015T0438
 315T3001
 315T4726
 315T3055

 **BOEING**
 COMPONENT
 MAINTENANCE MANUAL

FIG. & ITEM	PART NO.	AIRLINE PART NUMBER	NOMENCLATURE 1234567	EFF CODE	QTY PER ASSY
01- -7M	315T4726-166		FAN DUCT COWL AND THRUST- REVERSER ASSY-(RH SIDE LH ENG) (POST SB 767-78-0061) (FOR DETAILS SEE FIG. 9)	FT	RF
-7N	315T4726-170		FAN DUCT COWL AND THRUST- REVERSER ASSY-(RH SIDE LH ENG) (POST SB 767-78-0061) (FOR DETAILS SEE FIG. 9)	FX	RF
-7P	315T4726-178		FAN DUCT COWL AND THRUST- REVERSER ASSY-(RH SIDE LH ENG) (POST SB 767-78-0061) (FOR DETAILS SEE FIG. 9)	GB	RF
-7Q	315T4726-56		FAN DUCT COWL AND THRUST- REVERSER ASSY-(RH SIDE LH ENG) (POST SB 767-78-0061) (FOR DETAILS SEE FIG. 9)	GF	RF
-7R	315T4726-88		FAN DUCT COWL AND THRUST- REVERSER ASSY-(RH SIDE LH ENG) (POST SB 767-78-0061) (FOR DETAILS SEE FIG. 9)	GK	RF
-7S	315T4726-96		FAN DUCT COWL AND THRUST- REVERSER ASSY-(RH SIDE LH ENG) (POST SB 767-78-0061) (FOR DETAILS SEE FIG. 9)	GP	RF
-7T	315T4726-48		FAN DUCT COWL AND THRUST- REVERSER ASSY-(RH SIDE LH ENG) (POST SB 767-78-0061) (FOR DETAILS SEE FIG. 9)	GT	RF
-8	315T4726-68		FAN DUCT COWL AND THRUST- REVERSER ASSY-(RH SIDE LH ENG) (POST SB 767-78-0061) (FOR DETAILS SEE FIG. 9)	DT	RF
-8A	315T4726-76		FAN DUCT COWL AND THRUST- REVERSER ASSY-(RH SIDE LH ENG) (POST SB 767-78-0061) (FOR DETAILS SEE FIG. 9)	DX	RF

78-31-14

ILLUSTRATED PARTS LIST
 01.1 Page 1024M
 Jul 01/04

FIG. & ITEM	PART NO.	AIRLINE PART NUMBER	NOMENCLATURE 1234567	EFF CODE	QTY PER ASSY
01- -8B	315T4726-64		FAN DUCT COWL AND THRUST- REVERSER ASSY--(RH SIDE LH ENG) (POST SB 767-78-0061) (FOR DETAILS SEE FIG. 9)	EB	RF
-8C	315T4726-84		FAN DUCT COWL AND THRUST- REVERSER ASSY--(RH SIDE LH ENG) (POST SB 767-78-0061) (FOR DETAILS SEE FIG. 9)	GX	RF
-8D	315T4726-92		FAN DUCT COWL AND THRUST- REVERSER ASSY--(RH SIDE LH ENG) (POST SB 767-78-0061) (FOR DETAILS SEE FIG. 9)	HB	RF
-8E	315T4726-132		FAN DUCT COWL AND THRUST- REVERSER ASSY--(RH SIDE LH ENG) (POST SB 767-78-0061) (FOR DETAILS SEE FIG. 9)	HP	RF
-8F	315T4726-136		FAN DUCT COWL AND THRUST- REVERSER ASSY--(RH SIDE LH ENG) (POST SB 767-78-0061) (FOR DETAILS SEE FIG. 9)	HQ	RF
-8G	315T4726-152		FAN DUCT COWL AND THRUST- REVERSER ASSY--(RH SIDE LH ENG) (POST SB 767-78-0061) (FOR DETAILS SEE FIG. 9)	JC	RF
-9	315T4726-62		DELETED		
-9A	315T4726-74		DELETED		
-9B	315T4726-42		DELETED		
-9C	315T4726-46		DELETED		
-9D	315T4726-118		DELETED		
-9E	315T4726-122		DELETED		
-9F	315T4726-126		DELETED		
-9G	315T4726-130		DELETED		
-9H	315T4726-54		DELETED		
-9J	315T4726-150		DELETED		
-9K	315T4726-158		DELETED		
-9L	315T4726-168		DELETED		
-9M	315T4726-172		DELETED		
-9N	315T4726-180		DELETED		
-9P	315T4726-58		DELETED		

78-31-14

 ILLUSTRATED PARTS LIST
 01.1 Page 1024N
 Jul 01/04

015T0438
 315T3001
 315T4726
 315T3055

 **BOEING**
 COMPONENT
 MAINTENANCE MANUAL

FIG. & ITEM	PART NO.	AIRLINE PART NUMBER	NOMENCLATURE 1234567	EFF CODE	QTY PER ASSY
01-					
-9Q	315T4726-90		DELETED		
-9R	315T4726-98		DELETED		
-9S	315T4726-50		DELETED		
-10	315T3001-49SP		FAN DUCT COWL AND THRUST- REVERSER ASSY-(LH SIDE RH ENG) (PRE SB 767-54A0027) (PRE SB 767-78-0061)	C	RF
-10A	315T3001-57SP		FAN DUCT COWL AND THRUST- REVERSER ASSY-(LH SIDE RH ENG) (PRE SB 767-54A0027) (PRE SB 767-78-0061) (FOR DETAILS SEE FIG. 9)	G	RF
-10B	315T3001-53SP		FAN DUCT COWL AND THRUST- REVERSER ASSY-(LH SIDE RH ENG) (PRE SB 767-54A0027) (PRE SB 767-78-0061)	K	RF
-10C	315T3001-45SP		FAN DUCT COWL AND THRUST- REVERSER ASSY-(LH SIDE RH ENG) (PRE SB 767-54A0027) (PRE SB 767-78-0061) (FOR DETAILS SEE FIG. 9)	S	RF
-10D	315T3001-67SP		FAN DUCT COWL AND THRUST- REVERSER ASSY-(LH SIDE RH ENG) (PRE SB 767-54A0027) (PRE SB 767-78-0061) (PRE SB 767-78-0043) (FOR DETAILS SEE FIG. 9)	T	RF
-10E	315T3001-61SP		FAN DUCT COWL AND THRUST- REVERSER ASSY-(REWORK) (LH SIDE RH ENG) (PRE SB 767-54A0027) (PRE SB 767-78-0061)	HR	RF
-10F	315T3001-75SP		FAN DUCT COWL AND THRUST- REVERSER ASSY-(LH SIDE RH ENG) (PRE SB 767-54A0027) (PRE SB 767-78-0061) (FOR DETAILS SEE FIG. 9)	HS	RF

78-31-14

ILLUSTRATED PARTS LIST
 01.1 Page 10240
 Jul 01/04

FIG. & ITEM	PART NO.	AIRLINE PART NUMBER	NOMENCLATURE 1234567	EFF CODE	QTY PER ASSY
01- -10G	315T3001-79SP		FAN DUCT COWL AND THRUST- REVERSER ASSY-(LH SIDE RH ENG) (PRE SB 767-54A0027) (PRE SB 767-78-0061) (FOR DETAILS SEE FIG. 9)	HT	RF
-10H	315T3001-95SP		FAN DUCT COWL AND THRUST- REVERSER ASSY-(VARIABLE) (LH SIDE RH ENG) (PRE SB 767-54A0027) (PRE SB 767-78-0061) (FOR DETAILS SEE FIG. 9)	AG	RF
-10J	315T3001-107SP		FAN DUCT COWL AND THRUST- REVERSER ASSY-(LH SIDE REVERSER ASSY-(LH SIDE RH ENG) (PRE SB 767-54A0027) (PRE SB 767-78-0061) (FOR DETAILS SEE FIG. 9)	AL	RF
-10K	315T3001-99		DELETED		
-10L	315T3001-103		DELETED		
-10M	315T3001-99SP		FAN DUCT COWL AND THRUST- REVERSER ASSY-(REWORK) (LH SIDE RH ENG) (PRE SB 767-54A0027) (PRE SB 767-78-0061) (FOR DETAILS SEE FIG. 9)	U	RF
-10N	315T3001-103SP		FAN DUCT COWL AND THRUST- REVERSER ASSY-(REWORK) (LH SIDE RH ENG) (PRE SB 767-54A0027) (PRE SB 767-78-0061) (PRE SB 767-78-0043) (FOR DETAILS SEE FIG. 9)	AA	RF
-10P	315T3001-119SP		FAN DUCT COWL AND THRUST- REVERSER ASSY-(REWORK) (LH SIDE RH ENG) (PRE SB 767-54A0027) (PRE SB 767-78-0061) (FOR DETAILS SEE FIG. 9)	AQ	RF
-10Q	315T3001-123SP		FAN DUCT COWL AND THRUST- REVERSER ASSY-(LH SIDE RH ENG) (PRE SB 767-78-0061) (FOR DETAILS SEE FIG. 9)	AU	RF

78-31-14

 ILLUSTRATED PARTS LIST
 01.1 Page 1024P
 Jul 01/04

015T0438
 315T3001
 315T4726
 315T3055

 **BOEING**
 COMPONENT
 MAINTENANCE MANUAL

FIG. & ITEM	PART NO.	AIRLINE PART NUMBER	NOMENCLATURE 1234567	EFF CODE	QTY PER ASSY
01- -10R	315T3001-127SP		FAN DUCT COWL AND THRUST- REVERSER ASSY-(LH SIDE RH ENG) (PRE SB 767-78-0061) (FOR DETAILS SEE FIG. 9)	AY	RF
-10S	315T3001-131SP		FAN DUCT COWL AND THRUST- REVERSER ASSY-(VARIABLE) (LH SIDE RH ENG) (PRE SB 767-78-0061) (FOR DETAILS SEE FIG. 9)	BC	RF
-10T	315T3001-135SP		FAN DUCT COWL AND THRUST- REVERSER ASSY-(LH SIDE RH ENG) (FOR DETAILS SEE FIG. 9)	BL	RF
-10U	315T3001-139SP		FAN DUCT COWL AND THRUST- REVERSER ASSY-(LH SIDE RH ENG) (FOR DETAILS SEE FIG. 9)	BM	RF
-10V	315T3001-143SP		FAN DUCT COWL AND THRUST- REVERSER ASSY-(VARIABLE) (LH SIDE RH ENG) (FOR DETAILS SEE FIG. 9)	BN	RF
-10W	015T0438-71		FAN DUCT COWL AND THRUST- REVERSER ASSY-(LH SIDE RH ENG) (POST SB 767-54A0027) (PRE SB 767-78-0061)	CN	RF
-10X	315T3001-134SP		DELETED		
-10Y	015T0438-75		FAN DUCT COWL AND THRUST- REVERSER ASSY-(LH SIDE RH ENG) (POST SB 767-54A0027) (PRE SB 767-78-0061)	CQ	RF
-10Z	015T0438-29		FAN DUCT COWL AND THRUST- REVERSER ASSY-(LH SIDE RH ENG) (POST SB 767-54A0027) (PRE SB 767-78-0061) (FOR DETAILS SEE FIG. 9)	CR	RF
-11	015T0438-33		FAN DUCT COWL AND THRUST- REVERSER ASSY-(LH SIDE RH ENG) (POST SB 767-54A0027) (PRE SB 767-78-0061) (FOR DETAILS SEE FIG. 9)	CS	RF

78-31-14

ILLUSTRATED PARTS LIST
 01.1 Page 1024Q
 Jul 01/04

FIG. & ITEM	PART NO.	AIRLINE PART NUMBER	NOMENCLATURE 1234567	EFF CODE	QTY PER ASSY
01- -11A	315T3001-143SP		FAN DUCT COWL AND THRUST- REVERSER ASSY-(VARIABLE) (LH SIDE RH ENG) (POST SB 767-54A0027) (PRE SB 767-78-0061) (FOR DETAILS SEE FIG. 9)	CT	RF
-11B	315T3001-139SP		FAN DUCT COWL AND THRUST- REVERSER ASSY-(LH SIDE RH ENG) (POST SB 767-54A0027) (PRE SB 767-78-0061) (FOR DETAILS SEE FIG. 9)	CU	RF
-11C	015T0438-45		FAN DUCT COWL AND THRUST- REVERSER ASSY-(LH SIDE RH ENG) (POST SB 767-54A0027) (PRE SB 767-78-0061) (FOR DETAILS SEE FIG. 9)	CV	RF
-11D	015T0438-53		FAN DUCT COWL AND THRUST- REVERSER ASSY-(LH SIDE RH ENG) (POST SB 767-54A0027) (PRE SB 767-78-0061) (FOR DETAILS SEE FIG. 9)	CW	RF
-11E	015T0438-49		FAN DUCT COWL AND THRUST- REVERSER ASSY-(LH SIDE RH ENG) (POST SB 767-54A0027) (PRE SB 767-78-0061) (FOR DETAILS SEE FIG. 9)	CX	RF
-11F	315T3001-135SP		FAN DUCT COWL AND THRUST- REVERSER ASSY-(LH SIDE RH ENG) (POST SB 767-54A0027) (PRE SB 767-78-0061) (FOR DETAILS SEE FIG. 9)	CP	RF
-11G	315T3055-5		FAN DUCT COWL AND THRUST- REVERSER ASSY-(LH SIDE RH ENG) (POST SB 767-78-0043) (PRE SB 767-78-0061) (FOR DETAILS SEE FIG. 9)	JM	RF

78-31-14

 ILLUSTRATED PARTS LIST
 01.1 Page 1024R
 Jul 01/04

015T0438
 315T3001
 315T4726
 315T3055

 **BOEING**
 COMPONENT
 MAINTENANCE MANUAL

FIG. & ITEM	PART NO.	AIRLINE PART NUMBER	NOMENCLATURE 1234567	EFF CODE	QTY PER ASSY
01- -11H	315T3055-9		FAN DUCT COWL AND THRUST- REVERSER ASSY-(LH SIDE RH ENG) (POST SB 767-78-0043) (PRE SB 767-78-0061) (FOR DETAILS SEE FIG. 9)	JN	RF
-11J	315T4726-183		FAN DUCT COWL AND THRUST- REVERSER ASSY-(LH SIDE RH ENG) (POST SB 767-78-0061) (FOR DETAILS SEE FIG. 9)	JP	RF
-11K	315T4726-187		FAN DUCT COWL AND THRUST- REVERSER ASSY-(LH SIDE RH ENG) (POST SB 767-78-0061) (FOR DETAILS SEE FIG. 9)	JQ	RF
R -11L	015T0438-37		FAN DUCT COWL AND THRUST- REVERSER ASSY-(LH SIDE RH ENG) (POST SB 767-54A0027) (PRE SB 767-78-0061) (FOR DETAILS SEE FIG. 9)	KD	RF
R -11M	015T0438-41		FAN DUCT COWL AND THRUST- REVERSER ASSY-(LH SIDE RH ENG) (POST SB 767-54A0027) (PRE SB 767-78-0061) (FOR DETAILS SEE FIG. 9)	KE	RF
R -11N	015T0438-77		FAN DUCT COWL AND THRUST- REVERSER ASSY-(LH SIDE RH ENG) (POST SB 767-54A0027) (PRE SB 767-78-0061) (FOR DETAILS SEE FIG. 9)	KF	RF
R -11P	315T4726-81		FAN DUCT COWL AND THRUST- REVERSER ASSY-(LH SIDE RH ENG) (POST SB 767-78-0061) (FOR DETAILS SEE FIG. 9)	KG	RF
R -11Q	315T4726-143		FAN DUCT COWL AND THRUST- REVERSER ASSY-(LH SIDE RH ENG) (POST SB 767-78-0061)	KH	RF

78-31-14

ILLUSTRATED PARTS LIST
 01.1 Page 1024S
 Jul 01/04

FIG. & ITEM	PART NO.	AIRLINE PART NUMBER	NOMENCLATURE 1234567	EFF CODE	QTY PER ASSY
R 01-11R	315T4726-153		FAN DUCT COWL AND THRUST-REVERSER ASSY-(LH SIDE RH ENG) (POST SB 767-78-0061) (FOR DETAILS SEE FIG. 9)	KJ	RF
-12	315T4726-61		FAN DUCT COWL AND THRUST-REVERSER ASSY-(LH SIDE RH ENG) (POST SB 767-78-0061) (FOR DETAILS SEE FIG. 9)	DL	RF
-12A	315T4726-41		FAN DUCT COWL AND THRUST-REVERSER ASSY-(LH SIDE RH ENG) (POST SB 767-78-0061) (FOR DETAILS SEE FIG. 9)	EG	RF
-12B	315T4726-45		FAN DUCT COWL AND THRUST-REVERSER ASSY-(LH SIDE RH ENG) (POST SB 767-78-0061) (FOR DETAILS SEE FIG. 9)	EL	RF
-12C	315T4726-117		FAN DUCT COWL AND THRUST-REVERSER ASSY-(LH SIDE RH ENG) (POST SB 767-78-0061) (FOR DETAILS SEE FIG. 9)	EQ	RF
-12D	315T4726-121		FAN DUCT COWL AND THRUST-REVERSER ASSY-(LH SIDE RH ENG) (PRE SB 767-78-0061)	EU	RF
-12E	315T4726-125		FAN DUCT COWL AND THRUST-REVERSER ASSY-(LH SIDE RH ENG) (POST SB 767-78-0061) (FOR DETAILS SEE FIG. 9)	EY	RF
-12F	315T4726-53		FAN DUCT COWL AND THRUST-REVERSER ASSY-(LH SIDE RH ENG) (POST SB 767-78-0061) (FOR DETAILS SEE FIG. 9)	FB	RF
-12G	315T4726-129		FAN DUCT COWL AND THRUST-REVERSER ASSY-(LH SIDE RH ENG) (POST SB 767-78-0061) (FOR DETAILS SEE FIG. 9)	FE	RF

78-31-14

 ILLUSTRATED PARTS LIST
 01.1 Page 1024T
 Jul 01/04

015T0438
 315T3001
 315T4726
 315T3055

 **BOEING**
 COMPONENT
 MAINTENANCE MANUAL

FIG. & ITEM	PART NO.	AIRLINE PART NUMBER	NOMENCLATURE 1234567	EFF CODE	QTY PER ASSY
01- -12H	315T4726-149		FAN DUCT COWL AND THRUST- REVERSER ASSY-(LH SIDE RH ENG) (POST SB 767-78-0061) (FOR DETAILS SEE FIG. 9)	FL	RF
-12J	315T4726-157		FAN DUCT COWL AND THRUST- REVERSER ASSY-(LH SIDE RH ENG) (POST SB 767-78-0061) (FOR DETAILS SEE FIG. 9)	FQ	RF
-12K	315T4726-167		FAN DUCT COWL AND THRUST- REVERSER ASSY-(LH SIDE RH ENG) (POST SB 767-78-0061) (FOR DETAILS SEE FIG. 9)	FU	RF
-12L	315T4726-171		FAN DUCT COWL AND THRUST- REVERSER ASSY-(LH SIDE RH ENG) (POST SB 767-78-0061) (FOR DETAILS SEE FIG. 9)	FY	RF
-12M	315T4726-179		FAN DUCT COWL AND THRUST- REVERSER ASSY-(LH SIDE RH ENG) (POST SB 767-78-0061) (FOR DETAILS SEE FIG. 9)	GC	RF
-12N	315T4726-57		FAN DUCT COWL AND THRUST- REVERSER ASSY-(LH SIDE RH ENG) (POST SB 767-78-0061) (FOR DETAILS SEE FIG. 9)	GG	RF
-12P	315T4726-89		FAN DUCT COWL AND THRUST- REVERSER ASSY-(LH SIDE RH ENG) (POST SB 767-78-0061) (FOR DETAILS SEE FIG. 9)	GL	RF
-12Q	315T4726-97		FAN DUCT COWL AND THRUST- REVERSER ASSY-(LH SIDE RH ENG) (POST SB 767-78-0061) (FOR DETAILS SEE FIG. 9)	GQ	RF
-12R -12S	315T4726-48 315T4726-49		DELETED FAN DUCT COWL AND THRUST- REVERSER ASSY-(LH SIDE RH ENG) (POST SB 767-78-0061) (FOR DETAILS SEE FIG. 9)	GU	RF

78-31-14

ILLUSTRATED PARTS LIST
 01.1 Page 1024U
 Jul 01/04

FIG. & ITEM	PART NO.	AIRLINE PART NUMBER	NOMENCLATURE 1234567	EFF CODE	QTY PER ASSY
01-13	315T4726-73		FAN DUCT COWL AND THRUST-REVERSER ASSY-(LH SIDE RH ENG) (POST SB 767-78-0061) (FOR DETAILS SEE FIG. 9)	DQ	RF
-13A	315T4726-69		FAN DUCT COWL AND THRUST-REVERSER ASSY-(LH SIDE RH ENG) (POST SB 767-78-0061) (FOR DETAILS SEE FIG. 9)	DU	RF
-13B	315T4726-77		FAN DUCT COWL AND THRUST-REVERSER ASSY-(LH SIDE RH ENG) (POST SB 767-78-0061) (FOR DETAILS SEE FIG. 9)	DY	RF
-13C	315T4726-65		FAN DUCT COWL AND THRUST-REVERSER ASSY-(LH SIDE RH ENG) (POST SB 767-78-0061) (FOR DETAILS SEE FIG. 9)	EC	RF
-13D	315T4726-85		FAN DUCT COWL AND THRUST-REVERSER ASSY-(LH SIDE RH ENG) (POST SB 767-78-0061) (FOR DETAILS SEE FIG. 9)	GY	RF
-13E	315T4726-93		FAN DUCT COWL AND THRUST-REVERSER ASSY-(LH SIDE RH ENG) (POST SB 767-78-0061) (FOR DETAILS SEE FIG. 9)	HC	RF
-13F	315T4726-19		FAN DUCT COWL AND THRUST-REVERSER ASSY-(LH SIDE RH ENG) (POST SB 767-78-0061) (FOR DETAILS SEE FIG. 9)	HU	RF
-13G	315T4726-133		FAN DUCT COWL AND THRUST-REVERSER ASSY-(LH SIDE RH ENG) (POST SB 767-78-0061) (FOR DETAILS SEE FIG. 9)	HV	RF
-13H	315T4726-137		FAN DUCT COWL AND THRUST-REVERSER ASSY-(LH SIDE RH ENG) (POST SB 767-78-0061) (FOR DETAILS SEE FIG. 9)	HW	RF
-14	315T4726-70		DELETED		

78-31-14

 ILLUSTRATED PARTS LIST
 01.1 Page 1024V
 Jul 01/04

015T0438
 315T3001
 315T4726
 315T3055

 **BOEING**
 COMPONENT
 MAINTENANCE MANUAL

FIG. & ITEM	PART NO.	AIRLINE PART NUMBER	NOMENCLATURE 1234567	EFF CODE	QTY PER ASSY
01-					
-14A	315T4726-78		DELETED		
-14B	315T4726-66		DELETED		
-14C	315T4726-86		DELETED		
-14D	315T4726-94		DELETED		
-15	315T3001-50SP		FAN DUCT COWL AND THRUST- REVERSER ASSY-(RH SIDE RH ENG) (PRE SB 767-54A0027) (PRE SB 767-78-0061)	D	RF
-15A	315T3001-54SP		FAN DUCT COWL AND THRUST- REVERSER ASSY-(RH SIDE RH ENG) (PRE SB 767-54A0027) (PRE SB 767-78-0061) (FOR DETAILS SEE FIG. 9)	H	RF
-15B	315T3001-46SP		FAN DUCT COWL AND THRUST- REVERSER ASSY-(RH SIDE RH ENG) (PRE SB 767-54A0027) (PRE SB 767-78-0061) (FOR DETAILS SEE FIG. 9)	V	RF
-15C	315T3001-68SP		FAN DUCT COWL AND THRUST- REVERSER ASSY-(RH SIDE RH ENG) (PRE SB 767-54A0027) (PRE SB 767-78-0061) (PRE SB 767-78-0043) (FOR DETAILS SEE FIG. 9)	W	RF
-15D	315T3001-76SP		FAN DUCT COWL AND THRUST- REVERSER ASSY-(RH SIDE RH ENG) (PRE SB 767-54A0027) (PRE SB 767-78-0061) (FOR DETAILS SEE FIG. 9)	HX	RF
-15E	315T3001-80SP		FAN DUCT COWL AND THRUST- REVERSER ASSY-(RH SIDE RH ENG) (PRE SB 767-54A0027) (PRE SB 767-78-0061) (FOR DETAILS SEE FIG. 9)	HY	RF

78-31-14

ILLUSTRATED PARTS LIST
 01.1 Page 1024W
 Jul 01/04

FIG. & ITEM	PART NO.	AIRLINE PART NUMBER	NOMENCLATURE 1234567	EFF CODE	QTY PER ASSY
01- -15F	315T3001-84SP		FAN DUCT COWL AND THRUST- REVERSER ASSY-(RH SIDE RH ENG) (PRE SB 767-54A0027) (PRE SB 767-78-0061) (FOR DETAILS SEE FIG. 9)	AD	RF
-15G	315T3001-96SP		FAN DUCT COWL AND THRUST- REVERSER ASSY-(VARIABLE) (RH SIDE RH ENG) (PRE SB 767-54A0027) (PRE SB 767-78-0061) (FOR DETAILS SEE FIG. 9)	AH	RF
-15H	315T3001-108SP		FAN DUCT COWL AND THRUST- REVERSER ASSY-(RH SIDE RH ENG) (PRE SB 767-54A0027) (PRE SB 767-78-0061) (FOR DETAILS SEE FIG. 9)	AM	RF
-15J	315T3001-100		DELETED		
-15K	315T3001-104		DELETED		
-15L	315T3001-100SP		FAN DUCT COWL AND THRUST- REVERSER ASSY-(REWORK) (RH SIDE RH ENG) (PRE SB 767-54A0027) (PRE SB 767-78-0061) (FOR DETAILS SEE FIG. 9)	AB	RF
-15M	315T3001-104SP		FAN DUCT COWL AND THRUST- REVERSER ASSY-(REWORK) (RH SIDE RH ENG) (PRE SB 767-54A0027) (PRE SB 767-78-0061) (PRE SB 767-78-0043) (FOR DETAILS SEE FIG. 9)	AC	RF
-15N	315T3001-120SP		FAN DUCT COWL AND THRUST- REVERSER ASSY-(REWORK) (RH SIDE RH ENG) (PRE SB 767-54A0027) (PRE SB 767-78-0061) (FOR DETAILS SEE FIG. 9)	AR	RF
-15P	315T3001-124SP		FAN DUCT COWL AND THRUST- REVERSER ASSY-(RH SIDE RH ENG) (PRE SB 767-78-0061) (FOR DETAILS SEE FIG. 9)	AV	RF

78-31-14

 ILLUSTRATED PARTS LIST
 01.1 Page 1024X
 Jul 01/04

015T0438
 315T3001
 315T4726
 315T3055

 **BOEING**
 COMPONENT
 MAINTENANCE MANUAL

FIG. & ITEM	PART NO.	AIRLINE PART NUMBER	NOMENCLATURE 1234567	EFF CODE	QTY PER ASSY
01- -15Q	315T3001-128SP		FAN DUCT COWL AND THRUST- REVERSER ASSY-(RH SIDE RH ENG) (PRE SB 767-78-0061) (FOR DETAILS SEE FIG. 9)	AZ	RF
-15R	315T3001-132SP		FAN DUCT COWL AND THRUST- REVERSER ASSY-(VARIABLE) (RH SIDE RH ENG) (PRE SB 767-78-0061) (FOR DETAILS SEE FIG. 9)	BD	RF
-15S	315T3001-136SP		FAN DUCT COWL AND THRUST- REVERSER ASSY-(RH SIDE RH ENG) (FOR DETAILS SEE FIG. 9)	BP	RF
-15T	315T3001-140SP		FAN DUCT COWL AND THRUST- REVERSER ASSY-(RH SIDE RH ENG) (FOR DETAILS SEE FIG. 9)	BQ	RF
-15U	315T3001-144SP		FAN DUCT COWL AND THRUST- REVERSER ASSY-(VARIABLE) (RH SIDE RH ENG) (FOR DETAILS SEE FIG. 9)	BR	RF
-15V	015T0438-72		FAN DUCT COWL AND THRUST- REVERSER ASSY-(RH SIDE RH ENG) (POST SB 767-54A0027) (PRE SB 767-78-0061)	CY	RF
-15W	015T0438-76		FAN DUCT COWL AND THRUST- REVERSER ASSY-(RH SIDE RH ENG) (POST SB 767-54A0027) (PRE SB 767-78-0061) (FOR DETAILS SEE FIG. 9)	CZ	RF
-15X	015T0438-30		FAN DUCT COWL AND THRUST- REVERSER ASSY-(RH SIDE RH ENG) (POST SB 767-54A0027) (PRE SB 767-78-0061) (FOR DETAILS SEE FIG. 9)	DA	RF
-15Y	015T0438-34		FAN DUCT COWL AND THRUST- REVERSER ASSY-(RH SIDE RH ENG) (POST SB 767-54A0027) (PRE SB 767-78-0061) (FOR DETAILS SEE FIG. 9)	DB	RF

78-31-14

ILLUSTRATED PARTS LIST
 01.1 Page 1024Y
 Jul 01/04

FIG. & ITEM	PART NO.	AIRLINE PART NUMBER	NOMENCLATURE 1234567	EFF CODE	QTY PER ASSY
01- -15Z	315T3001-136SP		FAN DUCT COWL AND THRUST- REVERSER ASSY-(RH SIDE RH ENG) (POST SB 767-54A0027) (PRE SB 767-78-0061) (FOR DETAILS SEE FIG. 9)	DC	RF
-16	BCREF8430		DELETED		
-16A	315T3001-5091		DELETED		
-16B	315T3001-5085		DELETED		
-16C	315T3001-5083		DELETED		
-16D	315T3001-5099		DELETED		
-16E	315T3001-5107		DELETED		
-16F	315T3001-144SP		FAN DUCT COWL AND THRUST- REVERSER ASSY-(VARIABLE) (RH SIDE RH ENG) (POST SB 767-54A0027) (PRE SB 767-78-0061) (FOR DETAILS SEE FIG. 9)	DD	RF
-16G	315T3001-140SP		FAN DUCT COWL AND THRUST- REVERSER ASSY-(RH SIDE RH ENG) (POST SB 767-54A0027) (PRE SB 767-78-0061) (FOR DETAILS SEE FIG. 9)	DE	RF
-16H	015T0438-46		FAN DUCT COWL AND THRUST- REVERSER ASSY-(RH SIDE RH ENG) (POST SB 767-54A0027) (PRE SB 767-78-0061) (FOR DETAILS SEE FIG. 9)	DF	RF
-16J	015T0438-54		FAN DUCT COWL AND THRUST- REVERSER ASSY-(RH SIDE RH ENG) (POST SB 767-54A0027) (PRE SB 767-78-0061) (FOR DETAILS SEE FIG. 9)	DG	RF
-16K	015T0438-50		FAN DUCT COWL AND THRUST- REVERSER ASSY-(RH SIDE RH ENG) (POST SB 767-54A0027) (PRE SB 767-78-0061) (FOR DETAILS SEE FIG. 9)	DH	RF

78-31-14

 ILLUSTRATED PARTS LIST
 01.1 Page 1024Z
 Jul 01/04

015T0438
 315T3001
 315T4726
 315T3055

 **BOEING**
 COMPONENT
 MAINTENANCE MANUAL

FIG. & ITEM	PART NO.	AIRLINE PART NUMBER	NOMENCLATURE 1234567	EFF CODE	QTY PER ASSY
01- -16L	315T4726-62		FAN DUCT COWL AND THRUST- REVERSER ASSY-(RH SIDE RH ENG) (POST SB 767-78-0061) (FOR DETAILS SEE FIG. 9)	DM	RF
-16M	315T4726-74		FAN DUCT COWL AND THRUST- REVERSER ASSY-(RH SIDE RH ENG) (POST SB 767-78-0061) (FOR DETAILS SEE FIG. 9)	DR	RF
-16N	315T4726-42		FAN DUCT COWL AND THRUST- REVERSER ASSY-(RH SIDE RH ENG) (POST SB 767-78-0061) (FOR DETAILS SEE FIG. 9)	EH	RF
-16P	315T4726-46		FAN DUCT COWL AND THRUST- REVERSER ASSY-(RH SIDE RH ENG) (POST SB 767-78-0061) (FOR DETAILS SEE FIG. 9)	EM	RF
-16Q	315T4726-118		FAN DUCT COWL AND THRUST- REVERSER ASSY-(RH SIDE RH ENG) (POST SB 767-78-0061) (FOR DETAILS SEE FIG. 9)	ER	RF
-16R	315T4726-122		FAN DUCT COWL AND THRUST- REVERSER ASSY-(RH SIDE RH ENG) (POST SB 767-78-0061) (FOR DETAILS SEE FIG. 9)	EV	RF
-16S	315T4726-126		FAN DUCT COWL AND THRUST- REVERSER ASSY-(RH SIDE RH ENG) (POST SB 767-78-0061) (FOR DETAILS SEE FIG. 9)	EZ	RF
-16T	315T4726-130		FAN DUCT COWL AND THRUST- REVERSER ASSY-(RH SIDE RH ENG) (POST SB 767-78-0061) (FOR DETAILS SEE FIG. 9)	FF	RF
-16U	315T4726-54		FAN DUCT COWL AND THRUST- REVERSER ASSY-(RH SIDE RH ENG) (POST SB 767-78-0061) (FOR DETAILS SEE FIG. 9)	FH	RF

78-31-14

ILLUSTRATED PARTS LIST
 01.1 Page 1025
 Jul 01/04

FIG. & ITEM	PART NO.	AIRLINE PART NUMBER	NOMENCLATURE 1234567	EFF CODE	QTY PER ASSY
01- -16V	315T4726-150		FAN DUCT COWL AND THRUST- REVERSER ASSY--(RH SIDE RH ENG) (POST SB 767-78-0061) (FOR DETAILS SEE FIG. 9)	FM	RF
-16W	315T4726-158		FAN DUCT COWL AND THRUST- REVERSER ASSY--(RH SIDE RH ENG) (POST SB 767-78-0061) (FOR DETAILS SEE FIG. 9)	FR	RF
-16X	315T4726-168		FAN DUCT COWL AND THRUST- REVERSER ASSY--(RH SIDE RH ENG) (POST SB 767-78-0061) (FOR DETAILS SEE FIG. 9)	FV	RF
-16Y	315T4726-172		FAN DUCT COWL AND THRUST- REVERSER ASSY--(RH SIDE RH ENG) (POST SB 767-78-0061) (FOR DETAILS SEE FIG. 9)	FZ	RF
-16Z	315T4726-180		FAN DUCT COWL AND THRUST- REVERSER ASSY--(RH SIDE RH ENG) (POST SB 767-78-0061) (FOR DETAILS SEE FIG. 9)	GD	RF
-17	BCREF8431		DELETED		
-17A	315T3001-5094		DELETED		
-17B	315T3001-5092		DELETED		
-17C	315T3001-5086		DELETED		
-17D	315T3001-5084		DELETED		
-17E	315T3001-5100		DELETED		
-17F	315T3001-5108		DELETED		
-17G	315T4726-58		FAN DUCT COWL AND THRUST- REVERSER ASSY--(RH SIDE RH ENG) (POST SB 767-78-0061) (FOR DETAILS SEE FIG. 9)	GH	RF
-17H	315T4726-90		FAN DUCT COWL AND THRUST- REVERSER ASSY--(RH SIDE RH ENG) (POST SB 767-78-0061) (FOR DETAILS SEE FIG. 9)	GM	RF

78-31-14

 ILLUSTRATED PARTS LIST
 01.1 Page 1026
 Jul 01/04

015T0438
 315T3001
 315T4726
 315T3055

 **BOEING**
 COMPONENT
 MAINTENANCE MANUAL

FIG. & ITEM	PART NO.	AIRLINE PART NUMBER	NOMENCLATURE 1234567	EFF CODE	QTY PER ASSY
01- -17J	315T4726-98		FAN DUCT COWL AND THRUST- REVERSER ASSY-(RH SIDE RH ENG) (POST SB 767-78-0061) (FOR DETAILS SEE FIG. 9)	GR	RF
-17K	315T4726-50		FAN DUCT COWL AND THRUST- REVERSER ASSY-(RH SIDE RH ENG) (POST SB 767-78-0061) (FOR DETAILS SEE FIG. 9)	GV	RF
-17L	315T4726-70		FAN DUCT COWL AND THRUST- REVERSER ASSY-(RH SIDE RH ENG) (POST SB 767-78-0061) (FOR DETAILS SEE FIG. 9)	DV	RF
-17M	315T4726-78		FAN DUCT COWL AND THRUST- REVERSER ASSY-(RH SIDE RH ENG) (POST SB 767-78-0061) (FOR DETAILS SEE FIG. 9)	DZ	RF
-17N	315T4726-66		FAN DUCT COWL AND THRUST- REVERSER ASSY-(RH SIDE RH ENG) (POST SB 767-78-0061) (FOR DETAILS SEE FIG. 9)	ED	RF
-17P	315T4726-86		FAN DUCT COWL AND THRUST- REVERSER ASSY-(RH SIDE RH ENG) (POST SB 767-78-0061) (FOR DETAILS SEE FIG. 9)	GZ	RF
-17Q	315T4726-94		FAN DUCT COWL AND THRUST- REVERSER ASSY-(RH SIDE RH ENG) (POST SB 767-78-0061) (FOR DETAILS SEE FIG. 9)	HD	RF
-17R	315T4726-134		FAN DUCT COWL AND THRUST- REVERSER ASSY-(RH SIDE RH ENG) (POST SB 767-78-0061) (FOR DETAILS SEE FIG. 9)	HZ	RF
-17S	315T4726-138		FAN DUCT COWL AND THRUST- REVERSER ASSY-(RH SIDE RH ENG) (POST SB 767-78-0061) (FOR DETAILS SEE FIG. 9)	JA	RF

78-31-14

ILLUSTRATED PARTS LIST
 01.1 Page 1026A
 Jul 01/04

FIG. & ITEM	PART NO.	AIRLINE PART NUMBER	NOMENCLATURE 1234567	EFF CODE	QTY PER ASSY
01- -17T	315T3055-6		FAN DUCT COWL AND THRUST- REVERSER ASSY-(RH SIDE RH ENG) (POST SB 767-78-0043) (PRE SB 767-78-0061) (FOR DETAILS SEE FIG. 9)	JR	RF
-17U	315T3055-10		FAN DUCT COWL AND THRUST- REVERSER ASSY-(RH SIDE RH ENG) (POST SB 767-78-0043) (PRE SB 767-78-0061) (FOR DETAILS SEE FIG. 9)	JS	RF
-17V	315T4726-184		FAN DUCT COWL AND THRUST- REVERSER ASSY-(RH SIDE RH ENG) (POST SB 767-78-0061) (FOR DETAILS SEE FIG. 9)	JT	RF
-17W	315T4726-188		FAN DUCT COWL AND THRUST- REVERSER ASSY-(RH SIDE RH ENG) (POST SB 767-78-0061) (FOR DETAILS SEE FIG. 9)	JU	RF
R -17X	015T0438-38		FAN DUCT COWL AND THRUST- REVERSER ASSY-(RH SIDE RH ENG) (POST SB 767-54A0027) (PRE SB 767-78-0061) (FOR DETAILS SEE FIG. 9)	KK	RF
R -17Y	015T0438-42		FAN DUCT COWL AND THRUST- REVERSER ASSY-(RH SIDE RH ENG) (POST SB 767-54A0027) (PRE SB 767-78-0061) (FOR DETAILS SEE FIG. 9)	KL	RF
R -17Z	315T4726-82		FAN DUCT COWL AND THRUST- REVERSER ASSY-(RH SIDE RH ENG) (POST SB 767-78-0061) (FOR DETAILS SEE FIG. 9)	KM	RF
-18	BCREF8432		DELETED		
-18A	315T3001-5095		DELETED		
-18B	315T3001-5089		DELETED		
-18C	315T3001-5087		DELETED		
-18D	315T3001-5103		DELETED		
-18E	315T3001-5109		DELETED		

78-31-14

 ILLUSTRATED PARTS LIST
 01.1 Page 1026B
 Jul 01/04

015T0438
 315T3001
 315T4726
 315T3055

 **BOEING**
 COMPONENT
 MAINTENANCE MANUAL

FIG. & ITEM	PART NO.	AIRLINE PART NUMBER	NOMENCLATURE 1234567	EFF CODE	QTY PER ASSY
R 01- -18F	315T4726-154		FAN DUCT COWL AND THRUST- REVERSER ASSY-(RH SIDE RH ENG) (POST SB 767-78-0061) (FOR DETAILS SEE FIG. 9)	KN	RF
-19	BCREF8433		DELETED		
-19A	315T3001-5096		DELETED		
-19B	315T3001-5098		DELETED		
-19C	315T3001-5090		DELETED		
-19D	315T3001-5088		DELETED		
-19E	315T3001-5104		DELETED		
-19F	315T3001-5110		DELETED		
-20	315T3579-7SP		.FAIRING INSTL-LWR TRACK	A,C,B S,CN, EE,EG ,ES,E U	1
-20A	315T3579-7SP		.FAIRING INSTL-*(1) LWR TRACK	J,K,B U,CQ, EJ,EL ,EW,E Y	1
23	315T3705-65		..BRACKET ASSY-ATTACH	A,C,J ,K,BS ,BU,C N,CQ, EE,EG EJ,EL ,ES,E U,EW, EY	1
ATTACHING PARTS					

78-31-14

ILLUSTRATED PARTS LIST
 01.1 Page 1026C
 Jul 01/04

FIG. & ITEM	PART NO.	AIRLINE PART NUMBER	NOMENCLATURE 1234567	EFF CODE	QTY PER ASSY
01-26	BACB30LJ3-7		..BOLT	A,C,J ,K,BS ,BU,C N,CQ, EE,EG EJ,EL ,ES,E U,EW, EY	2
29	BACB30LL3-3		..BOLT	A,C,J ,K,BS ,BU,C N,CQ, EE,EG EJ,EL ,ES,E U,EW, EY	4
32	BACB30NN4K3		..BOLT	A,C,J ,K,BS ,BU,C N,CQ, EE,EG EJ,EL ,ES,E U,EW, EY	6
35	BACR15BA5AD		-----*----- ...RIVET- (SIZE DETERMINE ON INST)	A,C,J ,K,BS ,BU,C N,CQ, EE,EG EJ,EL ,ES,E U,EW, EY	2

78-31-14

 ILLUSTRATED PARTS LIST
 01.1 Page 1026D
 Jul 01/04

015T0438
 315T3001
 315T4726
 315T3055

BOEING
 COMPONENT
 MAINTENANCE MANUAL

FIG. & ITEM	PART NO.	AIRLINE PART NUMBER	NOMENCLATURE 1234567	EFF CODE	QTY PER ASSY
01-38	BACR15BB5AD		...RIVET- (SIZE DETERMINE ON INST)	A,C,J ,K,BS ,BU,C ,N,CQ, EE,EG EJ,EL ,ES,E U,EW, EY	4
41	315T3705-61		...BRACKET	A,C,J ,K,BS ,BU,C ,N,CQ, EE,EG EJ,EL ,ES,E U,EW, EY	1
44	315T3705-63		...ANGLE	A,C,J ,K,BS ,BU,C ,N,CQ, EE,EG EJ,EL ,ES,E U,EW, EY	1
47	BACB30NN4K2		..BOLT	A,C,J ,K,BS ,BU,C ,N,CQ, EE,EG EJ,EL ,ES,E U,EW, EY	2

78-31-14

ILLUSTRATED PARTS LIST
 01.1 Page 1026E
 Jul 01/04

FIG. & ITEM	PART NO.	AIRLINE PART NUMBER	NOMENCLATURE 1234567	EFF CODE	QTY PER ASSY
01-50	BACB30NN4K3		..BOLT	A,C,J ,K,BS ,BU,C N,CQ, EE,EG EJ,EL ,ES,E U,EW, EY	7
53	BACR15BA3AD		..RIVET- (SIZE DETERMINE ON INST)	A,C,J ,K,BS ,BU,C N,CQ, EE,EG EJ,EL ,ES,E U,EW, EY	22
56	BRF200C3M		..NUTPLATE- (V52828) (SPEC BACN10JR3CFM) (OPT F5001-3BAC (V15653)) (OPT NS103203SE02 (V80539)) (OPT T8092C1032 (V11815)) (OPT VN152D1-02 (V92215)) (OPT 109F9201-3 (V72962))	A,C,J ,K,BS ,BU,C N,CQ, EE,EG EJ,EL ,ES,E U,EW, EY	4

78-31-14

 ILLUSTRATED PARTS LIST
 01.1 Page 1026F
 Jul 01/04

015T0438
 315T3001
 315T4726
 315T3055

 **BOEING**
 COMPONENT
 MAINTENANCE MANUAL

FIG. & ITEM	PART NO.	AIRLINE PART NUMBER	NOMENCLATURE 1234567	EFF CODE	QTY PER ASSY
01-59	BRF200C4M		..NUTPLATE- (V52828) (SPEC BACN10JR4CFM) (OPT F5001-4BAC (V15653)) (OPT NS103203SE048 (V80539)) (OPT T8092C428 (V11815)) (OPT VN152D1-048 (V92215)) (OPT 109F9201-4 (V72962))	A,C,J ,K,BS ,BU,C N,CQ, EE,EG EJ,EL ,ES,E U,EW, EY	7
62	315T3529-21		..FAIRING ASSY	A,C,J ,K,BS ,BU,C N,CQ, EE,EG EJ,EL ,ES,E U,EW, EY	1
65	BACB30LL3-3		...BOLT	A,C,J ,K,BS ,BU,C N,CQ, EE,EG EJ,EL ,ES,E U,EW, EY	4
68	315T3705-59		...CLIP	A,C,J ,K,BS ,BU,C N,CQ, EE,EG EJ,EL ,ES,E U,EW, EY	1

78-31-14

ILLUSTRATED PARTS LIST
 01.1 Page 1026G
 Jul 01/04

FIG. & ITEM	PART NO.	AIRLINE PART NUMBER	NOMENCLATURE 1234567	EFF CODE	QTY PER ASSY
01-71	315T3529-13		...BOND ASSY	A,C,J ,K,BS ,BU,C N,CQ, EE,EG EJ,EL ,ES,E U,EW, EY	1
72	BACR15BA5B		..RIVET- (LIMITED) (SIZE DETERMINE ON INST)	A,C,J ,K,BS ,BU,C N,CQ, EE,EG EJ,EL ,ES,E U,EW, EY	11
73	315T3529-19		..STRIP-RUB (LIMITED)	A,C,J ,K,BS ,BU,C N,CQ, EE,EG EJ,EL ,ES,E U,EW, EY	1
74	315T3529-15		..FAIRING ASSY- (LIMITED) (315T3529-21 TOGETHER WITH 315T3529-15 AND 315T3705-65 WHICH COMPRISE SPARES ASSY 315T3579-9 I/W 315T3529-11 TOGETHER WITH 315T3529-5 AND 315T3705-47) (315T4531-1 TOGETHER WITH 315T3529-19 RUB STRIP I/W 315T3529-15)	A,C,J ,K,BS ,BU,C N,CQ, EE,EG EJ,EL ,ES,E U,EW, EY	1

78-31-14

 ILLUSTRATED PARTS LIST
 01.1 Page 1026H
 Jul 01/04

015T0438
 315T3001
 315T4726
 315T3055

 **BOEING**
 COMPONENT
 MAINTENANCE MANUAL

FIG. & ITEM	PART NO.	AIRLINE PART NUMBER	NOMENCLATURE 1234567	EFF CODE	QTY PER ASSY
01-77	BACR15BA5B		...RIVET- (SIZE DETERMINE ON INST)	A,C,J ,K,BS ,BU,C ,N,CQ, ,EE,EG ,EJ,EL ,ES,E ,U,EW, ,EY	11
80	315T3529-19		...STRIP-RUB	A,C,J ,K,BS ,BU,C ,N,CQ, ,EE,EG ,EJ,EL ,ES,E ,U,EW, ,EY	1
83	315T3529-17		...BOND ASSY	A,C,J ,K,BS ,BU,C ,N,CQ, ,EE,EG ,EJ,EL ,ES,E ,U,EW, ,EY	1
85	315T4531-1		..FAIRING- (LIMITED) (315T4531-1 TOGETHER WITH 315T3529-19 RUB STRIP I/W 315T3529-15)	A,C,J ,K,BS ,BU,C ,N,CQ, ,EE,EG ,EJ,EL ,ES,E ,U,EW, ,EY	1

78-31-14

ILLUSTRATED PARTS LIST
 01.1 Page 1026I
 Jul 01/04

FIG. & ITEM	PART NO.	AIRLINE PART NUMBER	NOMENCLATURE 1234567	EFF CODE	QTY PER ASSY
01-86	315T3579-8SP		.FAIRING INSTL-LWR TRACK	B,D,C C,CY, EF,EH ,ET,E V	1
-89	315T3579-5001		..FAIRING INSTL- (LIMITED)	B,D,C C,CY, EF,EH ,ET,E V	1
-89A	315T3579-5002		..FAIRING INSTL- (LIMITED)	B,D,C C,CY, EF,EH ,ET,E V	1
-89B 92	315T3579-5003 315T3705-66		DELETED ...BRACKET ASSY-ATTACH	B,D,C C,CY, EF,EH ,ET,E V	1
95	BACB30LJ3-7		ATTACHING PARTS ...BOLT	B,D,C C,CY, EF,EH ,ET,E V	2
98	BACB30LL3-3		...BOLT	B,D,C C,CY, EF,EH ,ET,E V	4

78-31-14

 ILLUSTRATED PARTS LIST
 01.1 Page 1026J
 Jul 01/04

015T0438
 315T3001
 315T4726
 315T3055

 **BOEING**
 COMPONENT
 MAINTENANCE MANUAL

FIG. & ITEM	PART NO.	AIRLINE PART NUMBER	NOMENCLATURE 1234567	EFF CODE	QTY PER ASSY
01-101	BACB30NN4K3		...BOLT	B,D,C C,CY, EF,EH ,ET,E V	4
102	BACS40R008C047F		...SHIM	B,D,C C,CY, EF,EH ,ET,E V	1
104	BACR15BA5AD		-----*-----RIVET- (SIZE DETERMINE ON INST)	B,D,C C,CY, EF,EH ,ET,E V	2
107	BACR15BB5AD	RIVET- (SIZE DETERMINE ON INST)	B,D,C C,CY, EF,EH ,ET,E V	4
110	315T3705-62	BRACKET	B,D,C C,CY, EF,EH ,ET,E V	1
113	315T3705-64	ANGLE	B,D,C C,CY, EF,EH ,ET,E V	1
115	BACB30NN4K3		...BOLT	B,D,C C,CY, EF,EH ,ET,E V	3
116	BACR15BA3AD	RIVET- (SIZE DETERMINE ON INST)	B,D,C C,CY, EF,EH ,ET,E V	22

78-31-14

ILLUSTRATED PARTS LIST
 01.1 Page 1026K
 Jul 01/04

FIG. & ITEM	PART NO.	AIRLINE PART NUMBER	NOMENCLATURE 1234567	EFF CODE	QTY PER ASSY
01-119	BRF200C3M		...NUTPLATE- (V52828) (SPEC BACN10JR3CFM) (OPT F5001-3BAC (V15653)) (OPT NS103203SE02 (V80539)) (OPT T8092C1032 (V11815)) (OPT VN152D1-02 (V92215)) (OPT 109F9201-3 (V72962))	B,D,C C,CY, EF,EH ,ET,E V	4
122	BRF200C4M		...NUTPLATE- (V52828) (SPEC BACN10JR4CFM) (OPT F5001-4BAC (V15653)) (OPT NS103203SE048 (V80539)) (OPT T8092C428 (V11815)) (OPT VN152D1-048 (V92215)) (OPT 109F9201-4 (V72962))	B,D,C C,CY, EF,EH ,ET,E V	7
125	BACB30NN4K2		...BOLT	B,D,C C,CY, EF,EH ,ET,E V	2
128	BACB30NN4K3		...BOLT	B,D,C C,CY, EF,EH ,ET,E V	6
137	315T3529-22		...FAIRING ASSY- (315T3529-22 TOGETHER WITH 315T3529-16 AND 315T3705-66 WHICH COMPRISE SPARES ASSY 315T3579-10 I/W 315T3529-12 TOGETHER WITH 315T3529-6 AND 315T3705-48)	B,D,C C,CY, EF,EH ,ET,E V	1

78-31-14

015T0438
 315T3001
 315T4726
 315T3055

 **BOEING**
 COMPONENT
 MAINTENANCE MANUAL

FIG. & ITEM	PART NO.	AIRLINE PART NUMBER	NOMENCLATURE 1234567	EFF CODE	QTY PER ASSY
01-140	BACB30LL3-3	BOLT	B,D,C C,CY, EF,EH ,ET,E V	4
143	315T3705-60	CLIP	B,D,C C,CY, EF,EH ,ET,E V	1
146	315T3529-14	BOND ASSY	B,D,C C,CY, EF,EH ,ET,E V	1
-147	BACR15BA5B		DELETED		
-148	315T3529-19		DELETED		
149	315T3529-16		...FAIRING ASSY- (315T3529-22 TOGETHER WITH 315T3529-16 AND 315T3705-66 WHICH COMPRISE SPARES ASSY 315T3579-10 I/W 315T3529-12 TOGETHER WITH 315T3529-6 AND 315T3705-48) (USED ON ITEM 89)	B,D,C C,CY, EF,EH ,ET,E V	1
-149A	315T3529-24		...FAIRING ASSY- (315T3529-24 TOGETHER WITH 315T3529-22 AND 315T3705-66 WHICH COMPRISE SPARES ASSY 315T3579-12 MAY REPLACE 315T3529-6 TOGETHER WITH 315T3529-12 AND 315T3705-48) (USED ON ITEM 89A)	B,D,C C,CY, EF,EH ,ET,E V	1

78-31-14

ILLUSTRATED PARTS LIST
 01.1 Page 1026M
 Jul 01/04

FIG. & ITEM	PART NO.	AIRLINE PART NUMBER	NOMENCLATURE 1234567	EFF CODE	QTY PER ASSY
01-152	BACR15BA5B	RIVET- (SIZE DETERMINE ON INST)	B,D,C C,CY, EF,EH ,ET,E V	11
153	315T3529-19	STRIP-RUB	B,D,C C,CY, EF,EH ,ET,E V	1
155	315T3529-18	BOND ASSY- (USED ON ITEM 149)	B,D,C C,CY, EF,EH ,ET,E V	1
-155A	315T3529-25	BOND ASSY- (USED ON ITEM 149A)	B,D,C C,CY, EF,EH ,ET,E V	1
156	BACB30LJ3-7		DELETED		
156G	BACB30LL4-2		DELETED		
157	BACB30LL4-4		DELETED		
-157A	315T4531-2		DELETED		
158	315T3579-5SP		.FAIRING INSTL-LWR TRACK (FOR DETAILS SEE FIG. 4)	A,C,B S,CN, EE,EG ,ES,E U	1

78-31-14

ILLUSTRATED PARTS LIST
01.1 Page 1026N
Jul 01/04

015T0438
 315T3001
 315T4726
 315T3055

 **BOEING**
 COMPONENT
 MAINTENANCE MANUAL

FIG. & ITEM	PART NO.	AIRLINE PART NUMBER	NOMENCLATURE 1234567	EFF CODE	QTY PER ASSY
01- -158A	315T3579-5SP		.FAIRING INSTL-*(1) LWR TRACK (FOR DETAILS SEE FIG. 4)	J,K,B U,CQ, EJ,EL ,EW,E Y	1
-161	315T3579-6SP		.FAIRING INSTL-LWR TRACK (FOR DETAILS SEE FIG. 4)	B,D,C C,CY, EF,EH ,ET,E V	1
-173	315T3703-3		.INDICATION INSTL-POSITION	A,C,B S,CN, EE,EG ,ES,E U	1
-173A	315T3703-3		.INDICATION INSTL-*(1) POSITION	J,K,B U,CQ, EJ,EL ,EW,E Y	1
-176	315T3703-4		.INDICATION INSTL-POSITION	B,D,C C,CY, EF,EH ,ET,E V	1
179	MS21340-05		..NUT	A-D,J ,K,BS ,BU,C C,CN, CQ,CY EE-EJ ,EL,E S-EW, EY	2
182	AN960PD1016L		DELETED		

78-31-14

ILLUSTRATED PARTS LIST
 01.1 Page 10260
 Jul 01/04

FIG. & ITEM	PART NO.	AIRLINE PART NUMBER	NOMENCLATURE	EFF CODE	QTY PER ASSY
R 01-182A	NAS1149D1016J		1234567 ..WASHER	A-D, J ,K,BS ,BU,C ,CN, CQ,CY EE-EJ ,EL,E S-EW, EY	2
R 185	8-348-02		..SENSOR- (V08748) (S164, S166) (SPEC S283T006-8) (PART NUMBERS S283T006-2 /8-344-01, S283T006-3/ 8-348-01, S283T006-5/ 8-345-01, S283T006-7/ 8-344-03, S283T006-8/ 8-348-02, S283T006-10/ 8-345-02/8-345-03, S283T006-22/8-518-01 AND S283T006-28/8-716-01 ARE INTERCHANGEABLE DEPENDING ON THE APPLICATION. SEE NHA'S AND 767 PRR B12900-50, 767-SL-32-20, 767-SL-32-058A, 767-SL-32-087 AND 767-SL-32-076 FOR MORE DETAILS) (FOR SPARES PROCURE S283T006-28)	A,C, J ,K,BS ,BU,C N,CQ, EE,EG EJ,EL ,ES,E U,EW, EY	2

78-31-14

ILLUSTRATED PARTS LIST
01.1 Page 1026P
Jul 01/04

015T0438
 315T3001
 315T4726
 315T3055

 **BOEING**
 COMPONENT
 MAINTENANCE MANUAL

FIG. & ITEM	PART NO.	AIRLINE PART NUMBER	NOMENCLATURE	EFF CODE	QTY PER ASSY
01-188	8-348-02		1234567 ..SENSOR- (V08748) (S165, S167) (SPEC S283T006-8) (PART NUMBERS S283T006-2 /8-344-01, S283T006-3/ 8-348-01, S283T006-5/ 8-345-01, S283T006-7/ 8-344-03, S283T006-8/ 8-348-02, S283T006-10/ 8-345-02/8-345-03, S283T006-22/8-518-01 AND S283T006-28/8-716-01 ARE INTERCHANGEABLE DEPENDING ON THE APPLICATION. SEE NHA'S AND 767 PRR B12900-50, 767-SL-32-20, 767-SL-32-058A, 767-SL-32-087 AND 767-SL-32-076 FOR MORE DETAILS) (FOR SPARES PROCURE S283T006-28)	B,D,C C,CY, EF,EH ,ET,E V	2

78-31-14

ILLUSTRATED PARTS LIST
 01.1 Page 1026Q
 Jul 01/04

FIG. & ITEM	PART NO.	AIRLINE PART NUMBER	NOMENCLATURE	EFF CODE	QTY PER ASSY
R 01-191	8-344-03		1234567 ..SENSOR- (V08748) (S176) (SPEC S283T006-7) (PART NUMBERS S283T006-2/8-344-01, S283T006-3/8-348-01, S283T006-5/8-345-01, S283T006-7/8-344-03, S283T006-8/8-348-02, S283T006-10/8-345-02/8-345-03, S283T006-22/8-518-01 AND S283T006-28/8-716-01 ARE INTERCHANGEABLE DEPENDING ON THE APPLICATION. SEE NHA'S AND 767 PRR B12900-50, 767-SL-32-20, 767-SL-32-058A, 767-SL-32-087 AND 767-SL-32-076 FOR MORE DETAILS) (OPT 8-344-02 (V08748)) (FOR SPARES PROCURE 8-345-03 (V08748))	A,C,J ,K,BS ,BU,C ,N,CQ, EE,EG EJ,EL ,ES,E U,EW, EY	1

78-31-14

ILLUSTRATED PARTS LIST
01.1 Page 1026R
Jul 01/04

015T0438
 315T3001
 315T4726
 315T3055

 **BOEING**
 COMPONENT
 MAINTENANCE MANUAL

FIG. & ITEM	PART NO.	AIRLINE PART NUMBER	NOMENCLATURE	EFF CODE	QTY PER ASSY
R 01-194	8-344-03		1234567 ..SENSOR- (V08748) (S177) (SPEC S283T006-7) (PART NUMBERS S283T006-2 /8-344-01, S283T006-3/ 8-348-01, S283T006-5/ 8-345-01, S283T006-7/ 8-344-03, S283T006-8/ 8-348-02, S283T006-10/ 8-345-02/8-345-03, S283T006-22/8-518-01 AND S283T006-28/8-716-01 ARE INTERCHANGEABLE DEPENDING ON THE APPLICATION. SEE NHA'S AND 767 PRR B12900-50, 767-SL-32-20, 767-SL-32-058A, 767-SL-32-087 AND 767-SL-32-076 FOR MORE DETAILS) (OPT 8-344-02 (V08748)) (FOR SPARES PROCURE 8-345-03 (V08748))	B,D,C C,CY, EF,EH ,ET,E V	1
197	BACS12CK3-7		..SCREW	A-D,J ,K,BS ,BU,C C,CN, CQ,CY EE-EJ ,EL,E S-EW, EY	2
200	BACW10BP3DP		..WASHER	A-D,J ,K,BS ,BU,C C,CN, CQ,CY EE-EJ ,EL,E S-EW, EY	2

78-31-14

ILLUSTRATED PARTS LIST
 01.1 Page 1026S
 Jul 01/04

FIG. & ITEM	PART NO.	AIRLINE PART NUMBER	NOMENCLATURE 1234567	EFF CODE	QTY PER ASSY
01-203	AN3053-4		..FERRULE	A-D, J ,K,BS ,BU,C C,CN, CQ,CY EE-EJ ,EL,E S-EW, EY	1
206	AN3054-4		..NUT	A-D, J ,K,BS ,BU,C C,CN, CQ,CY EE-EJ ,EL,E S-EW, EY	1
209	AN3055-12-4		..CONNECTOR	A-D, J ,K,BS ,BU,C C,CN, CQ,CY EE-EJ ,EL,E S-EW, EY	1
212	NAS603-8P		..SCREW	A-D, J ,K,BS ,BU,C C,CN, CQ,CY EE-EJ ,EL,E S-EW, EY	1

78-31-14

 ILLUSTRATED PARTS LIST
 01.1 Page 1026T
 Jul 01/04

015T0438
 315T3001
 315T4726
 315T3055

 **BOEING**
 COMPONENT
 MAINTENANCE MANUAL

FIG. & ITEM	PART NO.	AIRLINE PART NUMBER	NOMENCLATURE 1234567	EFF CODE	QTY PER ASSY
01- 214 214A	AN960PD10L AN960-10L		DELETED ..WASHER	A-D, J ,K,BS ,BU,C ,C,CN, ,CQ,CY EE-EJ ,EL,E S-EW, EY	1
215 215A	AN960PD10L AN960-10L		DELETED ..WASHER	A-D, J ,K,BS ,BU,C ,C,CN, ,CQ,CY EE-EJ ,EL,E S-EW, EY	AR
218	H10-3BAC		..NUT- (V15653) (SPEC BACN10JC3) (OPT NS202101-02 (V80539)) (OPT RMLH9075-3W (V72962)) (OPT T6S1032J (V71087)) (OPT VN303A02 (V92215)) (OPT 96-02 (V80539)) (OPT BRH10A3 (V52828))	A-D, J ,K,BS ,BU,C ,C,CN, ,CQ,CY EE-EJ ,EL,E S-EW, EY	1

78-31-14

ILLUSTRATED PARTS LIST
 01.1 Page 1026U
 Jul 01/04

FIG. & ITEM	PART NO.	AIRLINE PART NUMBER	NOMENCLATURE 1234567	EFF CODE	QTY PER ASSY
01-221	AN742D4		..CLAMP	A-D, J ,K,BS ,BU,C ,C,CN, ,CQ,CY EE-EJ ,EL,E S-EW, EY	1
224	315T3703-5		..CONDUIT	A,C, J ,K,BS ,BU,C N,CQ, EE,EG EJ,EL ,ES,E U,EW, EY	1
-227	315T3703-6		..CONDUIT	B,D,C ,C,CY, EF,EH ,ET,E V	1
230	315T3703-9		..ANGLE	A,C, J ,K,BS ,BU,C ,C,CN, ,CQ,CY EE,EG ,EJ,E L,ES, EU,EW ,EY	1

78-31-14

 ILLUSTRATED PARTS LIST
 01.1 Page 1026V
 Jul 01/04

015T0438
 315T3001
 315T4726
 315T3055

 **BOEING**
 COMPONENT
 MAINTENANCE MANUAL

FIG. & ITEM	PART NO.	AIRLINE PART NUMBER	NOMENCLATURE 1234567	EFF CODE	QTY PER ASSY
01- -233	315T3703-10		.. ANGLE	B, D, C C, CY, EF, EH , ET, E V	1
236	NAS1801-3-12		.. SCREW	A-D, J , K, BS , BU, C C, CN, CQ, CY EE-EJ , EL, E S-EW, EY	2
239	AN960PD10L		.. WASHER	A-D, J , K, BS , BU, C C, CN, CQ, CY EE-EJ , EL, E S-EW, EY	2
242	AN960PD10		.. WASHER- (OPT ITEM 242A)	A-D, J , K, BS , BU, C C, CN, CQ, CY EE-EJ , EL, E S-EW, EY	AR
-242A	AN960PD10L		.. WASHER- (OPT ITEM 242)	A-D, J , K, BS , BU, C C, CN, CQ, CY EE-EJ , EL, E S-EW, EY	AR

78-31-14

ILLUSTRATED PARTS LIST
 01.1 Page 1026W
 Jul 01/04

FIG. & ITEM	PART NO.	AIRLINE PART NUMBER	NOMENCLATURE 1234567	EFF CODE	QTY PER ASSY
01-245	BACN10GW3		..NUT	A-D,J ,K,BS ,BU,C C,CN, CQ,CY EE-EJ ,EL,E S-EW, EY	2
248	315T3723-3		..TARGET	A-D,J ,K,BS ,BU,C C,CN, CQ,CY EE-EJ ,EL,E S-EW, EY	1
251	BAC27TTR0017		..MARKER-ALUMINUM FOIL- DEPLOY	A-D,J ,K,BS ,BU,C C,CN, CQ,CY EE-EJ ,EL,E S-EW, EY	1
254	BAC27TTR0028		..MARKER-ALUMINUM FOIL- S-166	A,C,J ,K,BS ,BU,C N,CQ, EE,EG EJ,EL ,ES,E U,EW, EY	1
-257	BAC27TTR0029		..MARKER-ALUMINUM FOIL- S-167	B,D,C C,CY, EF,EH ,ET,E V	1

78-31-14

 ILLUSTRATED PARTS LIST
 01.1 Page 1026X
 Jul 01/04

015T0438
 315T3001
 315T4726
 315T3055

BOEING
 COMPONENT
 MAINTENANCE MANUAL

FIG. & ITEM	PART NO.	AIRLINE PART NUMBER	NOMENCLATURE 1234567	EFF CODE	QTY PER ASSY
01-260	BAC27TTR0018		..MARKER-ALUMINUM FOIL- ACTR UNLOCK	A-D,J ,K,BS ,BU,C C,CN, CQ,CY EE-EJ ,EL,E S-EW, EY	1
263	BAC27TTR0026		..MARKER-ALUMINUM FOIL- S-164	A,C,J ,K,BS ,BU,C N,CQ, EE,EG EJ,EL ,ES,E U,EW, EY	1
-266	BAC27TTR0027		..MARKER-ALUMINUM FOIL- S-165	B,D,C C,CY, EF,EH ,ET,E V	1
269	BAC27TTR0016		..MARKER-ALUMINUM FOIL- AUTO RESTOW	A-D,J ,K,BS ,BU,C C,CN, CQ,CY EE-EJ ,EL,E S-EW, EY	1

78-31-14

ILLUSTRATED PARTS LIST
 01.1 Page 1026Y
 Jul 01/04

FIG. & ITEM	PART NO.	AIRLINE PART NUMBER	NOMENCLATURE 1234567	EFF CODE	QTY PER ASSY
01-272	BAC27TTR0030		..MARKER-ALUMINUM FOIL-S-176	A,C,J ,K,BS ,BU,C N,CQ, EE,EG EJ,EL ,ES,E U,EW, EY	1
-275	BAC27TTR0031		..MARKER-LUMINUM FOIL-S-177	B,D,C C,CY, EF,EH ,ET,E V	1
278	315T3556-1		.BUMPER ASSY-UPR STOP	A,C,B S,CN, EE,EG ,ES,E U	1
-278A	315T3556-1		.BUMPER ASSY-*(1) UPR STOP	J,K,B U,CQ, EJ,EL ,EW,E Y	1
-281	315T3556-2		.BUMPER ASSY-UPR STOP	B,D,C C,CY, EF,EH ,ET,E V	1
ATTACHING PARTS					

78-31-14

 ILLUSTRATED PARTS LIST
 01.1 Page 1026Z
 Jul 01/04

015T0438
 315T3001
 315T4726
 315T3055

 **BOEING**
 COMPONENT
 MAINTENANCE MANUAL

FIG. & ITEM	PART NO.	AIRLINE PART NUMBER	NOMENCLATURE 1234567	EFF CODE	QTY PER ASSY
01- 284 -284A 284B	BACB30LL4-12 BACB30LL4-12 BACB30VF4K12		DELETED DELETED .BOLT	A-D,B S,CC, CN,CY ,EE-E H ES-EV	2
-284C	BACB30VF4K12		.BOLT-*(1)	J,K,B U,CQ, EJ,EL ,EW,E Y	2
287	BACR15BA3AD		-----*----- ..RIVET- (SIZE DETERMINE ON INST)	A-D,J ,K,BS ,BU,C C,CN, CQ,CY EE-EJ ,EL,E S-EW, EY	4
290	T8124S4S		..NUTPLATE- (V71087) (SPEC BACN10JN4) (OPT MF1000-4BAC (V15653)) (OPT NS103218-048 (V80539)) (OPT RMF9201M4 (V72962)) (OPT VN252A048 (V92215)) (OPT VN252A048 (V92215)) (OPT T8124S4S (V11815))	A-D,J ,K,BS ,BU,C C,CN, CQ,CY EE-EJ ,EL,E S-EW, EY	2

78-31-14

ILLUSTRATED PARTS LIST
 01.1 Page 1027
 Jul 01/04

FIG. & ITEM	PART NO.	AIRLINE PART NUMBER	NOMENCLATURE 1234567	EFF CODE	QTY PER ASSY
01-293	315T3556-7		. . BUMPER	A, C, J , K, BS , BU, C , N, CQ, , EE, EG , EJ, EL , ES, E , U, EW, , EY	1
-296	315T3556-8		. . BUMPER	B, D, C , C, CY, , EF, EH , ET, E , V	1
299	315T3556-11		. BUMPER ASSY-LWR STOP	A, C, B , S, CN, , EE, EG , ES, E , U	1
-299A	315T3556-11		. BUMPER ASSY-*(1) LWR STOP	J, K, B , U, CQ, , EJ, EL , EW, E , Y	1
-302	315T3556-12		. BUMPER ASSY-LWR STOP	B, D, C , C, CY, , EF, EH , ET, E , V	1
305	BACB30LL3-12		ATTACHING PARTS DELETED		
-305A	BACB30LL3-12		DELETED		
305B	BACB30VF3K12		. BOLT	A-D, B , S, CC, , CN, CY , EE-E , H , ES-EV	4
-305C	BACB30VF3K12		. BOLT-*(1)	J, K, B , U, CQ, , EJ, EL , EW, E , Y	4
			-----*-----		

78-31-14

 ILLUSTRATED PARTS LIST
 01.1 Page 1028
 Jul 01/04

015T0438
 315T3001
 315T4726
 315T3055

 **BOEING**
 COMPONENT
 MAINTENANCE MANUAL

FIG. & ITEM	PART NO.	AIRLINE PART NUMBER	NOMENCLATURE 1234567	EFF CODE	QTY PER ASSY
01-308	BACR15BA3AD		..RIVET- (SIZE DETERMINE ON INST)	A-D, J ,K,BS ,BU,C ,C,CN, ,CQ,CY ,EE-EJ ,EL,E ,S-EW, ,EY	8
311	BRFM20A3		..NUTPLATE- (V52828) (SPEC BACN10JN3) (OPT MF1000-3BAC (V15653)) (OPT NS103218-02 (V80539)) (OPT RMF9201M3 (V72962)) (OPT VN252A02 (V92215)) (OPT MF1000-3BAC (V15653)) (OPT MF53049-3 (V15653))	A-D, J ,K,BS ,BU,C ,C,CN, ,CQ,CY ,EE-EJ ,EL,E ,S-EW, ,EY	4
314	315T3556-13		..BUMPER	A,C, J ,K,BS ,BU,C ,N,CQ, ,EE,EG ,EJ,EL ,ES,E ,U,EW, ,EY	1
-317	315T3556-14		..BUMPER	B,D,C ,C,CY, ,EF,EH ,ET,E ,V	1

78-31-14

ILLUSTRATED PARTS LIST
 01.1 Page 1028A
 Jul 01/04

FIG. & ITEM	PART NO.	AIRLINE PART NUMBER	NOMENCLATURE 1234567	EFF CODE	QTY PER ASSY
01-320	315T1604-1		.PIN-DEACTIVATION (OPT ITEM 320A)	A-D,B S,CC, CN,CY ,EE-E H ES-EV	1
-320A	315T1604-2		.PIN-DEACTIVATION (OPT ITEM 320) (PRE SB 767-78A0089)	A-D,B S,CC, CN,CY ,EE-E H ES-EV	1
-320B	315T1604-1		.PIN-*(1) DEACTIVATION (OPT ITEM 320C)	J,K,B U,CQ, EJ,EL ,EW,E Y	1
-320C	315T1604-2		.PIN-*(1) DEACTIVATION (OPT ITEM 320B) (PRE SB 767-78A0089)	J,K,B U,CQ, EJ,EL ,EW,E Y	1
R -320D	315T1604-6		.PIN-DEACTIVATION (POST SB 767-78A0089)	A-D,J ,K,BS ,BU,C C,CN, CQ,CY EE-EJ ,EL,E S-EW, EY	1
-323	315T3655-5		.SWITCH INSTL-ACTR	A,C,J ,K,BS ,BU,C N,CQ, EE,EG EJ,EL ,ES,E U,EW, EY	1
-326	315T3655-2		.SWITCH INSTL-ACTR	B,D,C C,CY, EF,EH ,ET,E V	1

78-31-14

 ILLUSTRATED PARTS LIST
 01.1 Page 1028B
 Jul 01/04

015T0438
 315T3001
 315T4726
 315T3055

 **BOEING**
 COMPONENT
 MAINTENANCE MANUAL

FIG. & ITEM	PART NO.	AIRLINE PART NUMBER	NOMENCLATURE 1234567	EFF CODE	QTY PER ASSY
01-329	MS25224-3		.. GUARD	A-D, J ,K,BS ,BU,C ,C,CN, ,CQ,CY EE-EJ ,EL,E S-EW, EY	2
332	MS25224-3		.. GUARD	A,C, J ,K,BS ,CC,C N,CY, EE-EH ES,EU ,EW,E Y	2
335	315T3656-17		..COVER- (OPT ITEM 341)	A,C, J ,K,BS ,BU,C N,CQ, EE,EH EJ,EL ,ES,E U,EW, EY	1
-338	315T3656-10		..COVER	B,D,C C,CY, EF,EH ,ET,E V	1
341	315T3656-19		..COVER ASSY- (OPT ITEM 335)	A,C, J ,K,BS ,BU,C N,CQ, EE,EG EJ,EL ,ES,E U,EW, EY	1

78-31-14

ILLUSTRATED PARTS LIST
 01.1 Page 1028C
 Jul 01/04

FIG. & ITEM	PART NO.	AIRLINE PART NUMBER	NOMENCLATURE 1234567	EFF CODE	QTY PER ASSY
01-					
344	AN525-10R6		ATTACHING PARTS ..SCREW	A-D, J ,K,BS ,BU,C ,C,CN, ,CQ,CY EE-EJ ,EL,E S-EW, EY	4
347	315T3656-18		-----*----- ...COVER- (USED ON ITEM 341)	A,C, J ,K,BS ,BU,C N,CQ, EE,EG EJ,EL ,ES,E U,EW, EY	1
350	315T3656-9		...COVER- (USED ON ITEM 341)	A,C, J ,K,BS ,BU,C N,CQ, EE,EG EJ,EL ,ES,E U,EW, EY	1

78-31-14

 ILLUSTRATED PARTS LIST
 01.1 Page 1028D
 Jul 01/04

015T0438
 315T3001
 315T4726
 315T3055

 **BOEING**
 COMPONENT
 MAINTENANCE MANUAL

FIG. & ITEM	PART NO.	AIRLINE PART NUMBER	NOMENCLATURE 1234567	EFF CODE	QTY PER ASSY
01-353	NAS1801-04-5		..SCREW	A-D, J ,K,BS ,BU,C C,CN, CQ,CY EE-EJ ,EL,E S-EW, EY	4
356	AN960XC4L		..WASHER	A-D, J ,K,BS ,BU,C C,CN, CQ,CY EE-EJ ,EL,E S-EW, EY	4
359	132003		..NUT- (V60119) (SPEC BACN10XP1) (OPT 132003 (V76530))	A-D, J ,K,BS ,BU,C C,CN, CQ,CY EE-EJ ,EL,E S-EW, EY	4
362	R071914-7P		..CONNECTOR- (V41118) (SPEC BACC45FM14-7P) (OPT C48-00R14-7P102 (V13556)) (OPT ZZYAC1714-7P (V49367)) (OPT 48-00R14-7P300 (V02660))	A-D, J ,K,BS ,BU,C C,CN, CQ,CY EE-EJ ,EL,E S-EW, EY	1

78-31-14

ILLUSTRATED PARTS LIST
 01.1 Page 1028E
 Jul 01/04

FIG. & ITEM	PART NO.	AIRLINE PART NUMBER	NOMENCLATURE 1234567	EFF CODE	QTY PER ASSY
01-365	65407		..SWITCH- (V02005)	A,C,J ,K,BS ,BU,C N,CQ, EE,EG EJ,EL ,ES,E U,EW, EY	1
368	65407		..SWITCH- (V02005)	A-D,J ,K,BS ,BU,C C,CN, CQ,CY EE-EJ ,EL,E S-EW, EY	1
-371	65408		..SWITCH- (V02005)	A-D,J ,K,BS ,BU,C C,CN, CQ,CY EE-EJ ,EL,E S-EW, EY	1
374	BAC27TTR0001		..MARKER-ALUMINUM FOIL- LH COWL	A,C,J ,K,BS ,BU,C N,CQ, EE,EG EJ,EL ,ES,E U,EW, EY	1
-377	BAC27TTR0002		..MARKER-ALUMINUM FOIL- RH COWL	B,D,C C,CY, EF,EH ,ET,E V	1

78-31-14

 ILLUSTRATED PARTS LIST
 01.1 Page 1028F
 Jul 01/04

015T0438
 315T3001
 315T4726
 315T3055

 **BOEING**
 COMPONENT
 MAINTENANCE MANUAL

FIG. & ITEM	PART NO.	AIRLINE PART NUMBER	NOMENCLATURE 1234567	EFF CODE	QTY PER ASSY
01-380	BAC27TTR0003		..MARKER-ALUMINUM FOIL-OPEN	A-D,J ,K,BS ,BU,C ,C,CN, ,CQ,CY ,EE-EJ ,EL,E ,S-EW, ,EY	1
383	BAC27TTR0004		..MARKER-ALUMINUM FOIL-CLOSE	A-D,J ,K,BS ,BU,C ,C,CN, ,CQ,CY ,EE-EJ ,EL,E ,S-EW, ,EY	1
386	BAC27TTR0006		..MARKER-ALUMINUM FOIL-PIN STORAGE	A,C,J ,K,BS ,BU,C ,N,CQ, ,EE,EG ,EJ,EL ,ES,E ,U,EW, ,EY	1
387	BAC27TTR0006		..MARKER-ALUMINUM FOIL-PIN STORAGE	B,D,C ,C,CY, ,EF,EH ,ET,E ,V	1
389	BAC27TTR0008		..MARKER-ALUMINUM FOIL-M580	A,C,J ,K,BS ,BU,C ,N,CQ, ,EE,EG ,EJ,EL ,ES,E ,U,EW, ,EY	1

78-31-14

ILLUSTRATED PARTS LIST
 01.1 Page 1028G
 Jul 01/04

FIG. & ITEM	PART NO.	AIRLINE PART NUMBER	NOMENCLATURE 1234567	EFF CODE	QTY PER ASSY
01- -392	BAC27TTR0009		..MARKER-ALUMINUM FOIL- M581	B,D,C C,CY, EF,EH ,ET,E V	1
395	BAC27TTR0012		..MARKER-ALUMINUM FOIL- M/WD164	A,C,J ,K,BS ,BU,C N,CQ, EE,EG EJ,EL ,ES,E U,EW, EY	1
-398	BAC27TTR0013		..MARKER-ALUMINUM FOIL- M/WD166	B,D,C C,CY, EF,EH ,ET,E V	1
-401	315T3701-1		.INTERLOCK INSTL-THRUST REVERSER FEEDBACK (FOR DETAILS SEE FIG. 5)	A,C,B S,CN, EE,EG ,ES,E U	1
-401A	315T3701-1		.INTERLOCK INSTL-*(1) THRUST REVERSER FEEDBACK (FOR DETAILS SEE FIG. 5)	J,K,B U,CQ, EJ,EL ,EW,E Y	1

78-31-14

 ILLUSTRATED PARTS LIST
 01.1 Page 1028H
 Jul 01/04

015T0438
 315T3001
 315T4726
 315T3055

 **BOEING**
 COMPONENT
 MAINTENANCE MANUAL

FIG. & ITEM	PART NO.	AIRLINE PART NUMBER	NOMENCLATURE 1234567	EFF CODE	QTY PER ASSY
01- -404	315T3701-2		. INTERLOCK INSTL-THRUST REVERSER FEEDBACK (FOR DETAILS SEE FIG. 5)	B,D,C C,CY, EF,EH ,ET,E V	1
407	NAS1805-4N		DELETED		
410	AN960-416		DELETED		
413	BACB30LE4-10		DELETED		
416	HL440UC8-11		DELETED		
419	BACW10P321S		DELETED		
422	315T3706-1		DELETED		
-425	315T3706-2		DELETED		
428	315T1015-1		DELETED		
431	BACB28AK04-020		DELETED		
434	315T3721-1		DELETED		
-434A	315T3721-9		DELETED		
437	VTA04560		DELETED		
440	NAS509-5C		DELETED		
443	315T3721-4		DELETED		
446	315T3721-3		DELETED		
449	BACR15BB3AD		DELETED		
452	315T3721-2		DELETED		
-452A	315T3721-10		DELETED		
455	BACB30LU3-21		DELETED		
458	AN960PD416L		DELETED		
461	BACW10P69S		DELETED		
464	AN960-10		DELETED		
467	NAS43DD3-8		DELETED		
470	BR1110C3M		DELETED		
473	315T3723-1		DELETED		
476	BACB30LE4-58		DELETED		
479	315T1015-3		DELETED		

78-31-14

ILLUSTRATED PARTS LIST
 01.1 Page 1028I
 Jul 01/04

FIG. & ITEM	PART NO.	AIRLINE PART NUMBER	NOMENCLATURE 1234567	EFF CODE	QTY PER ASSY
01-					
482	NAS43HT4-139		DELETED		
485	BACB28AK04-053		DELETED		
488	BACW10BP4AP		DELETED		
491	BACW10BP4AC		DELETED		
494	NAS1805-4N		DELETED		
497	315T3722-1		DELETED		
-500	315T3722-2		DELETED		
503	KP4AFS428		DELETED		
506	BACB28AP04P012		DELETED		
509	BACB28AP06P012		DELETED		
512	NAS43DD3-8		DELETED		
515	HL12VAZ6-6		DELETED		
518	BACW10P69S		DELETED		
521	HL1187DUW6		DELETED		
524	315T3722-7		DELETED		
-527	315T3722-8		DELETED		
530	VTB04540		DELETED		
533	315T3722-3		DELETED		
-536	315T3722-4		DELETED		
539	KP4AFS428		DELETED		
542	315T3632-1		DELETED		
-545	315T3632-2		DELETED		
548	315T3632-3		DELETED		
-551	315T3632-4		DELETED		
554	BACR15BB3AD		DELETED		
557	315T3701-5		DELETED		
-560	315T3605-1		.ROD INSTL-HOLD OPEN	A,C,B S,CN, EE,EG ,ES,E U	1
-560A	315T3605-1		.ROD INSTL-*(1) HOLD OPEN	J,K,B U,CQ, EJ,EL ,EW,E Y	1
-563	315T3605-2		.ROD INSTL-HOLD OPEN	B,D,C C,CY, EF,EH ,ET,E V	1

78-31-14

 ILLUSTRATED PARTS LIST
 01.1 Page 1028J
 Jul 01/04

015T0438
 315T3001
 315T4726
 315T3055

 **BOEING**
 COMPONENT
 MAINTENANCE MANUAL

FIG. & ITEM	PART NO.	AIRLINE PART NUMBER	NOMENCLATURE 1234567	EFF CODE	QTY PER ASSY
01- -564	315T3605-7001		..COLLECTOR-COMMON PARTS	A-D, J ,K, BS ,BU, C C, CN, CQ, CY EE-EJ ,EL, E S-EW, EY	1
566	BACB30LJ5-18		...BOLT	A-D, J ,K, BS ,BU, C C, CN, CQ, CY EE-EJ ,EL, E S-EW, EY	1
R 567	AN960C516		...WASHER	A-D, J ,K, BS ,BU, C C, CN, CQ, CY EE-EJ ,EL, E S-EW, EY	2
569	BACB28X7M020		...BUSHING	A-D, J ,K, BS ,BU, C C, CN, CQ, CY EE-EJ ,EL, E S-EW, EY	1
572	BACB28AK05-036		...BUSHING	A-D, J ,K, BS ,BU, C C, CN, CQ, CY EE-EJ ,EL, E S-EW, EY	1

78-31-14

ILLUSTRATED PARTS LIST
 01.1 Page 1028K
 Jul 01/04

FIG. & ITEM	PART NO.	AIRLINE PART NUMBER	NOMENCLATURE 1234567	EFF CODE	QTY PER ASSY
01-575	NAS577-5A		...NUT	A-D, J ,K,BS ,BU,C C,CN, CQ,CY EE-EJ ,EL,E S-EW, EY	1
578	NAS578-5A		...RETAINER	A-D, J ,K,BS ,BU,C C,CN, CQ,CY EE-EJ ,EL,E S-EW, EY	1
581	BACB30LM4-4		...BOLT	A-D, J ,K,BS ,BU,C C,CN, CQ,CY EE-EJ ,EL,E S-EW, EY	2
584	RC1108		...RECEIVER- (V08844) (SPEC S314T220-3)	A-D, J ,K,BS ,BU,C C,CN, CQ,CY EE-EJ ,EL,E S-EW, EY	1
587	315T3605-4		...FILLER-RADIUS (MFD FROM SHEET AL 2024-T3 QQ-A-25/4 F-18.13 0.125 IN. 0.70 IN. 1.20 IN.)	A-D, J ,K,BS ,BU,C C,CN, CQ,CY EE-EJ ,EL,E S-EW, EY	2

78-31-14

 ILLUSTRATED PARTS LIST
 01.1 Page 1028L
 Jul 01/04

015T0438
 315T3001
 315T4726
 315T3055

 **BOEING**
 COMPONENT
 MAINTENANCE MANUAL

FIG. & ITEM	PART NO.	AIRLINE PART NUMBER	NOMENCLATURE 1234567	EFF CODE	QTY PER ASSY
01- -589	315T3605-5001		..COLLECTOR-LIMITED PARTS (LIMITED)	A-D, J ,K,BS ,BU,C C,CN, CQ,CY EE-EJ ,EL,E S-EW, EY	1
-589A	315T3605-5002		..COLLECTOR-LIMITED PARTS (REWORK) (LIMITED)	A-D, J ,K,BS ,BU,C C,CN, CQ,CY EE-EJ ,EL,E S-EW, EY	1
-589B	315T3605-5003		..COLLECTOR-LIMITED PARTS (LIMITED)	A-D, J ,K,BS ,BU,C C,CN, CQ,CY EE-EJ ,EL,E S-EW, EY	1
590	A2724-3		...STRUT ASSY-THRUST REVERSER DOOR (V08844) (SPEC S315T366-2) (USED ON ITEM 589) (REF CMM 71-10-12)	A-D, J ,K,BS ,BU,C C,CN, CQ,CY EE-EJ ,EL,E S-EW, EY	1

78-31-14

ILLUSTRATED PARTS LIST
 01.1 Page 1028M
 Jul 01/04

FIG. & ITEM	PART NO.	AIRLINE PART NUMBER	NOMENCLATURE 1234567	EFF CODE	QTY PER ASSY
01- -590A -590B	S315T366-5 315T3159-1		DELETED ...ROD ASSY-HOLD OPEN (REWORK) (USED ON ITEM 589A) (FOR DETAILS SEE FIG. 8)	A-D,J ,K,BS ,BU,C ,C,CN, ,CQ,CY EE-EJ ,EL,E S-EW, EY	1
-590C -590E -590F -590G	A6501-1 A6501-2 S315T366-9 A6501-3		DELETED DELETED DELETED ...STRUT ASSY- (V08844) (SPEC S315T366-9) (USED ON ITEM 589B)	A-D,J ,K,BS ,BU,C ,C,CN, ,CQ,CY EE-EJ ,EL,E S-EW, EY	1
593	315T3602-13		.ACTUATOR AND TUBING- INSTL (FOR DETAILS SEE FIG. 2)	A,C,B S,CN, EE,EG ,ES,E U	1
-593A	315T3602-13		.ACTUATOR AND TUBING- INSTL-*(1) (FOR DETAILS SEE FIG. 2)	J,K,B U,CQ, EJ,EL ,EW,E Y	1

78-31-14

 ILLUSTRATED PARTS LIST
 01.1 Page 1028N
 Jul 01/04

015T0438
 315T3001
 315T4726
 315T3055

BOEING
 COMPONENT
 MAINTENANCE MANUAL

FIG. & ITEM	PART NO.	AIRLINE PART NUMBER	NOMENCLATURE 1234567	EFF CODE	QTY PER ASSY
01- -594 -596	315T3602-1 315T3602-14		DELETED .ACTUATOR AND TUBING- INSTL (FOR DETAILS SEE FIG. 2)	B,D,C C,CY, EF,EH ,ET,E V	1
-599	315T3208-1		.LATCH INSTL-VEE GROOVE	A,C,B S,CN, EE,EG ,ES,E U	1
-599A	315T3208-1		.LATCH INSTL-*(1) VEE GROOVE	J,K,B U,CQ, EJ,EL ,EW,E Y	1
-602	315T3208-2		.LATCH INSTL-VEE GROOVE	B,D,C C,CY, EF,EH ,ET,E V	1
-605	315T3208-5001		..LATCH INSTL- (LIMITED)	A,C,J ,K,BS ,BU,C N,CQ, EE,EG EJ,EL ,ES,E U,EW, EY	1
-605A	315T3208-5003		..LATCH INSTL- (LIMITED)	A,C,J ,K,BS ,BU,C N,CQ, EE,EG EJ,EL ,ES,E U,EW, EY	1

78-31-14

ILLUSTRATED PARTS LIST
 01.1 Page 10280
 Jul 01/04

FIG. & ITEM	PART NO.	AIRLINE PART NUMBER	NOMENCLATURE 1234567	EFF CODE	QTY PER ASSY
01- -608	315T3208-5002		..LATCH INSTL- (LIMITED)	B,D,C C,CY, EF,EH ,ET,E V	1
-608A	315T3208-5004		..LATCH INSTL- (LIMITED)	B,D,C C,CY, EF,EH ,ET,E V	1
611	NAS6703-3		...BOLT	A-D,J ,K,BS ,BU,C C,CN, CQ,CY EE-EJ ,EL,E S-EW, EY	11
614	AN960C10L		...WASHER	A-D,J ,K,BS ,BU,C C,CN, CQ,CY EE-EJ ,EL,E S-EW, EY	11
617	315T3251-1		...RETAINER-BAND	A-D,J ,K,BS ,BU,C C,CN, CQ,CY EE-EJ ,EL,E S-EW, EY	11

78-31-14

015T0438
 315T3001
 315T4726
 315T3055

 **BOEING**
 COMPONENT
 MAINTENANCE MANUAL

FIG. & ITEM	PART NO.	AIRLINE PART NUMBER	NOMENCLATURE 1234567	EFF CODE	QTY PER ASSY
01-620	315T3250-1		...BAND ASSY-LATCH (USED ON ITEM 605)	A,C,J ,K,BS ,BU,C N,CQ, EE,EG EJ,EL ,ES,E U,EW, EY	1
-620A	315T3250-5		...BAND ASSY-LATCH (USED ON ITEM 605A)	A,C,J ,K,BS ,BU,C N,CQ, EE,EG EJ,EL ,ES,E U,EW, EY	1
-623	315T3250-2		...BAND ASSY-LATCH (USED ON ITEM 608)	B,D,C C,CY, EF,EH ,ET,E V	1
-623A	315T3250-6		...BAND ASSY-LATCH (USED ON ITEM 608A)	B,D,C C,CY, EF,EH ,ET,E V	1

78-31-14

ILLUSTRATED PARTS LIST
 01.1 Page 1028Q
 Jul 01/04

FIG. & ITEM	PART NO.	AIRLINE PART NUMBER	NOMENCLATURE 1234567	EFF CODE	QTY PER ASSY
01-626	HL441UC5-4	BOLT- (V97928) (SPEC BACB30FN5A4) (OPT HL441UC5-4 (V73197)) (OPT HL441UC5-4 (V92215)) (OPT HL41PY5-4 (V80539)) (OPT HL441N5-4 (V80539)) (OPT HL441UC5-4 (V80539)) (OPT 67068-5A4 (V56878)) (OPT HL441UC5-4 (V08524)) (OPT HL19-5A4 (V06725)) (OPT L839-5A4 (V06725)) (OPT HL441UC5-4 (V56878))	A-D, J ,K, BS ,BU, C C, CN, CQ, CY EE-EJ ,EL, E S-EW, EY	6
629	AN960-8L	WASHER	A-D, J ,K, BS ,BU, C C, CN, CQ, CY EE-EJ ,EL, E S-EW, EY	6
632	HL70-5	COLLAR- (V5M902) (SPEC BACC30M5) (OPT HL70-5 (V73197)) (OPT HL70-5 (V92215)) (OPT 66014-5 (V56878)) (OPT HL70-5 (V56878))	A-D, J ,K, BS ,BU, C C, CN, CQ, CY EE-EJ ,EL, E S-EW, EY	6

78-31-14

015T0438
 315T3001
 315T4726
 315T3055

 **BOEING**
 COMPONENT
 MAINTENANCE MANUAL

FIG. & ITEM	PART NO.	AIRLINE PART NUMBER	NOMENCLATURE 1234567	EFF CODE	QTY PER ASSY
01-635	315T3252-1	FITTING- (USED ON ITEMS 620, 623)	A-D, J ,K,BS ,BU,C ,C,CN, ,CQ,CY ,EE-EJ ,EL,E ,S-EW, ,EY	1
-635A	315T3252-2	FITTING- (USED ON ITEMS 620A, 623A)	A-D, J ,K,BS ,BU,C ,C,CN, ,CQ,CY ,EE-EJ ,EL,E ,S-EW, ,EY	1
638	NAS1200-6	RIVET	A-D, J ,K,BS ,BU,C ,C,CN, ,CQ,CY ,EE-EJ ,EL,E ,S-EW, ,EY	8
641	H2626-35	RECEIVER- (V83014) (SPEC S315T101-2)	A,C, J ,K,BS ,BU,C ,N,CQ, ,EE,EG ,EJ,EL ,ES,E ,U,EW, ,EY	1

78-31-14

ILLUSTRATED PARTS LIST
 01.1 Page 1028S
 Jul 01/04

FIG. & ITEM	PART NO.	AIRLINE PART NUMBER	NOMENCLATURE 1234567	EFF CODE	QTY PER ASSY
01-					
-644	H2626-17		DELETED		
-644A	H2865-17	RECEIVER- (V83014) (SPEC S315T101-4) (OPT H2865-19 (V83014))	B,D,C C,CY, EF,EH ,ET,E V	1
-644B	H2865-19	RECEIVER- (V83014) (SPEC S315T101-4) (OPT H2865-17 (V83014))	B,D,C C,CY, EF,EH ,ET,E V	1
647	315T3250-3	BAND	A,C,J ,K,BS ,BU,C N,CQ, EE,EG EJ,EL ,ES,E U,EW, EY	1
-650	315T3250-4	BAND	B,D,C C,CY, EF,EH ,ET,E V	1
653	BACS12BP3AP9		.SCREW	A-D,J ,K,BS ,BU,C C,CN, CQ,CY EE-EJ ,EL,E S-EW, EY	5
-653A	BACS12BP3AP9		DELETED		

78-31-14

 ILLUSTRATED PARTS LIST
 01.1 Page 1028T
 Jul 01/04

015T0438
 315T3001
 315T4726
 315T3055

 **BOEING**
 COMPONENT
 MAINTENANCE MANUAL

FIG. & ITEM	PART NO.	AIRLINE PART NUMBER	NOMENCLATURE 1234567	EFF CODE	QTY PER ASSY
01-656	315T3539-3		.WASHER-DRAG LINK	A-D, J ,K,BS ,BU,C C,CN, CQ,CY EE-EJ ,EL,E S-EW, EY	5
-656A 659	315T3539-3 315T3539-1		DELETED .PIN-DRAG LINK	A-D, J ,K,BS ,BU,C C,CN, CQ,CY EE-EJ ,EL,E S-EW, EY	5
-659A 662	315T3539-1 315T3102-1		DELETED .FITTING ASSY-HINGE	A-D, J ,K,BS ,BU,C C,CN, CQ,CY EE-EJ ,EL,E S-EW, EY	5
-662A -662B -662C	315T3102-1 315T3102-4 315T3102-1		DELETED DELETED DELETED ATTACHING PARTS		

78-31-14

ILLUSTRATED PARTS LIST
 01.1 Page 1028U
 Jul 01/04

FIG. & ITEM	PART NO.	AIRLINE PART NUMBER	NOMENCLATURE 1234567	EFF CODE	QTY PER ASSY
01-665	HL13VAZ8-22		.BOLT- (V56878) (SPEC BACB30NY8K22) (OPT HL13VAZ8-22 (V73197)) (OPT HL13VAZ8-22 (V92215)) (OPT HL13VAZ8-22 (V97928)) (OPT L801-8K22 (V06725)) (OPT HL13VAZ8-22 (V08524)) (OPT HL13V22 (V06725)) (OPT HL13VAZ8-22 (V17446))	A-D, J ,K,BS ,BU,C ,C,CN, ,CQ,CY EE-EJ ,EL,E S-EW, EY	20
-665A 668	HL13VAZ8-22 HL79-8		DELETED .COLLAR- (V5M902) (SPEC BACC30M8) (OPT HL79-8 (V73197)) (OPT HL79-8 (V92215)) (OPT 66014-8 (V56878)) (OPT HL79-8 (V56878))	A-D, J ,K,BS ,BU,C ,C,CN, ,CQ,CY EE-EJ ,EL,E S-EW, EY	20
-668A	HL79-8		DELETED		

78-31-14

 ILLUSTRATED PARTS LIST
 01.1 Page 1028V
 Jul 01/04

015T0438
 315T3001
 315T4726
 315T3055

 **BOEING**
 COMPONENT
 MAINTENANCE MANUAL

FIG. & ITEM	PART NO.	AIRLINE PART NUMBER	NOMENCLATURE 1234567	EFF CODE	QTY PER ASSY
01-671	315T3517-1		..BUSHING	A-D, J ,K,BS ,BU,C C,CN, CQ,CY EE-EJ ,EL,E S-EW, EY	2
674	315T3102-2		..FITTING	A-D, J ,K,BS ,BU,C C,CN, CQ,CY EE-EJ ,EL,E S-EW, EY	1
-674A 676	315T3102-5 BACS40R13D52F		DELETED .SHIM	A-D, J ,K,BS ,BU,C C,CN, CQ,CY EE-EJ ,EL,E S-EW, EY	5
677 677A	315T3002-13 315T3001-13		DELETED .SHIM	A-D, B S,CC, CN,CY ,EE-E H ES-EV	AR
-677B	315T3001-13		.SHIM-*(1)	J,K,B U,CQ, EJ,EL ,EW,E Y	10

78-31-14

ILLUSTRATED PARTS LIST
 01.1 Page 1028W
 Jul 01/04

FIG. & ITEM	PART NO.	AIRLINE PART NUMBER	NOMENCLATURE	EFF CODE	QTY PER ASSY
01-680	BACS12BP3AP9		.SCREW	A-D, J ,K,BS ,BU,C C,CN, CQ,CY EE-EJ ,EL,E S-EW, EY	1
-680A 683	BACS12BP3AP9 315T3539-3		DELETED .WASHER-DRAG LINK	A-D, J ,K,BS ,BU,C C,CN, CQ,CY EE-EJ ,EL,E S-EW, EY	1
-683A 686	315T3539-3 315T3539-1		DELETED .PIN-DRAG LINK	A-D, J ,K,BS ,BU,C C,CN, CQ,CY EE-EJ ,EL,E S-EW, EY	1
-686A	315T3539-1		DELETED		

78-31-14

015T0438
 315T3001
 315T4726
 315T3055

 **BOEING**
 COMPONENT
 MAINTENANCE MANUAL

FIG. & ITEM	PART NO.	AIRLINE PART NUMBER	NOMENCLATURE 1234567	EFF CODE	QTY PER ASSY
01-689	315T3103-11		.FITTING ASSY-LWR HINGE	A,C,J ,K,BS ,BU,C N,CQ, EE,EG EJ,EL ,ES,E U,EW, EY	1
-689A	315T3103-1		DELETED		
-689B	315T3103-7		DELETED		
-689C	315T3103-11		DELETED		
-692	315T3103-2		.FITTING ASSY-LWR HINGE	B,D,C C,CY, EF,EH ,ET,E V	1
695	HL1012AZ8-25		.BOLT- (VOPTK6) (SPEC BACB30NX8K25) (OPT HL12VAZ8-25 (V73197)) (OPT HL12VAZ8-25 (V92215)) (OPT HL12VAZ8-25 (V97928)) (OPT L802-8K25 (V06725)) (OPT HL12VAZ8-25 (V56878)) (OPT HL1012AZ8-25 (V06725)) (OPT HL1012AZ8-25 (V06950)) (OPT HL1012AZ8-25 (V17446)) (OPT HL1012AZ8-25 (V56878)) (OPT HL1012AZ8-25 (V60516)) (OPT HL1012AZ8-25 (V73197)) (OPT HL1012AZ8-25 (V97928))	A-D,J ,K,BS ,BU,C C,CN, CQ,CY EE-EJ ,EL,E S-EW, EY	1
-695A	HL12VAZ8-25		DELETED		

78-31-14

ILLUSTRATED PARTS LIST
 01.1 Page 1028Y
 Jul 01/04

FIG. & ITEM	PART NO.	AIRLINE PART NUMBER	NOMENCLATURE 1234567	EFF CODE	QTY PER ASSY
01-698	HL13VAZ8-20		.BOLT- (V56878) (SPEC BACB30NY8K20) (OPT HL13VAZ8-20 (V73197)) (OPT HL13VAZ8-20 (V92215)) (OPT HL13VAZ8-20 (V97928)) (OPT L801-8K20 (V06725)) (OPT HL13VAZ8-20 (V08524)) (OPT HL13V20 (V06725)) (OPT HL13VAZ8-20 (V17446))	A-D, J ,K,BS ,BU,C ,C,CN, ,CQ,CY EE-EJ ,EL,E S-EW, EY	2
-698A 701	HL13VAZ8-20 HL79-8		DELETED .COLLAR- (V5M902) (SPEC BACC30M8) (OPT HL79-8 (V73197)) (OPT HL79-8 (V92215)) (OPT 66014-8 (V56878)) (OPT HL79-8 (V56878))	A-D, J ,K,BS ,BU,C ,C,CN, ,CQ,CY EE-EJ ,EL,E S-EW, EY	3
-701A	HL79-8		DELETED		

78-31-14

 ILLUSTRATED PARTS LIST
 01.1 Page 1028Z
 Jul 01/04

015T0438
 315T3001
 315T4726
 315T3055

 **BOEING**
 COMPONENT
 MAINTENANCE MANUAL

FIG. & ITEM	PART NO.	AIRLINE PART NUMBER	NOMENCLATURE 1234567	EFF CODE	QTY PER ASSY
01-704	NAS6703-19		.BOLT	A-D, J ,K,BS ,BU,C ,C,CN, ,CQ,CY EE-EJ ,EL,E S-EW, EY	2
-704A 707	NAS6703-19 NAS6703-20		DELETED .BOLT	A-D, J ,K,BS ,BU,C ,C,CN, ,CQ,CY EE-EJ ,EL,E S-EW, EY	2
-707A 710	NAS6703-20 AN960-10		DELETED .WASHER	A-D, J ,K,BS ,BU,C ,C,CN, ,CQ,CY EE-EJ ,EL,E S-EW, EY	4
-710A 713	AN960-10 315T3001-5		DELETED .SHIM	B,D,C ,C,CY, EF,EH ,ET,E V	1

78-31-14

ILLUSTRATED PARTS LIST
 01.1 Page 1029
 Jul 01/04

FIG. & ITEM	PART NO.	AIRLINE PART NUMBER	NOMENCLATURE 1234567	EFF CODE	QTY PER ASSY
01-716	315T3001-12		.SHIM	A,C,B S,CN, EE,EG ,ES,E U	1
-716A	315T3001-12		.SHIM-*(1)	J,K,B U,CQ, EJ,EL ,EW,E Y	1
719	BRH10C3M		.NUT- (V52828) (SPEC BACN10JC3CM) (OPT T6C1032JM (V11815)) (OPT 97E02 (V80539)) (OPT 109LH9075-3W (V72962)) (OPT VN303D02 (V92215)) (OPT NS202101SE02 (V80539)) (OPT H01-3BAC (V15653))	A-D,J ,K,BS ,BU,C C,CN, CQ,CY EE-EJ ,EL,E S-EW, EY	4
-719A 722	BR1110C3M 315T3517-1		DELETED ..BUSHING	A-D,J ,K,BS ,BU,C C,CN, CQ,CY EE-EJ ,EL,E S-EW, EY	2
725	315T3103-12		..FITTING	A,C,J ,K,BS ,BU,C N,CQ, EE,EG EJ,EL ,ES,E U,EW, EY	1

78-31-14

 ILLUSTRATED PARTS LIST
 01.1 Page 1030
 Jul 01/04

015T0438
 315T3001
 315T4726
 315T3055

 **BOEING**
 COMPONENT
 MAINTENANCE MANUAL

FIG. & ITEM	PART NO.	AIRLINE PART NUMBER	NOMENCLATURE 1234567	EFF CODE	QTY PER ASSY
01-					
-725A	315T3103-3		DELETED		
-725B	315T3103-9		DELETED		
-728	315T3103-4		.. FITTING	B, D, C C, CY, EF, EH , ET, E V	1
731	315T3500-21		. SLEEVE ASSY- (PRE SB 767-78A0089) (REF CMM 78-31-22)	A, C, B S, CN, EE, EG , ES, E U	1
-731A	315T3500-1		DELETED		
-731B	315T3002-37		DELETED		
-731C	315T3500-21		. SLEEVE ASSY-*(1) (PRE SB 767-78A0089) (REF CMM 78-31-22)	J, K, B U, CQ, EJ, EL , EW, E Y	1
R -731D	315T4026-19		. SLEEVE ASSY- (POST SB 767-78A0089) (REF CMM 78-31-22)	A, C, J , K, BS , BU, C N, CQ, EE, EG EJ, EL , ES, E U, EW, EY	1
-734	315T3500-22		. SLEEVE ASSY- (PRE SB 767-78A0089) (REF CMM 78-31-22)	B, D, C C, CY, EF, EH , ET, E V	1

78-31-14

ILLUSTRATED PARTS LIST
 01.1 Page 1030A
 Jul 01/04

FIG. & ITEM	PART NO.	AIRLINE PART NUMBER	NOMENCLATURE 1234567	EFF CODE	QTY PER ASSY
R 01- -734A	315T4026-20		.SLEEVE ASSY- (POST SB 767-78A0089) (REF CMM 78-31-22)	B,D,C C,CY, EF,EH ,ET,E V	1
737	315T3002-63		.COWL ASSY- (REF CMM 71-11-32)	A,BS, EE,ES	1
-737A	315T3002-79		.COWL ASSY-(REWORK) (REF CMM 71-11-32)	A,BS, EE,ES	1
-737B	315T3002-67		DELETED		
-737C	315T3002-71		.COWL ASSY- (REF CMM 71-11-32)	J,BU, EJ,EW	1
-737D	315T3002-73		.COWL ASSY-(REWORK) (REF CMM 71-11-32)	J,BU, EJ,EW	1
-737E	315T3002-57		DELETED		
-737F	315T3002-89		DELETED		
-737G	315T3002-83		.COWL ASSY- (REF CMM 71-11-32)	HE	1
-737H	315T3002-87		.COWL ASSY- (REF CMM 71-11-32)	HF,HJ ,JX,J Z	1
-740	315T3002-64		.COWL ASSY- (REF CMM 71-11-32)	B,CC, EF,ET	1
-740A	315T3002-68		DELETED		
-740B	315T3002-58		DELETED		
-740C	315T3002-90		DELETED		
-743	315T3002-65		.COWL ASSY- (REF CMM 71-11-32)	C,CN, EG,EU	1
-743A	315T3002-81		.COWL ASSY-(REWORK) (REF CMM 71-11-32)	C,CN, EG,EU	1
-743B	315T3002-69		DELETED		
-743C	315T3002-75		.COWL ASSY- (REF CMM 71-11-32)	K,CQ, EL,EY	1
-743D	315T3002-77		.COWL ASSY-(REWORK) (REF CMM 71-11-32)	K,CQ, EL,EY	1
-743E	315T3002-59		DELETED		
-743F	315T3002-91		DELETED		
-743G	315T3002-85		.COWL ASSY- (REF CMM 71-11-32)	HR,HU ,KF, KH	1

78-31-14

 ILLUSTRATED PARTS LIST
 01.1 Page 1030B
 Jul 01/04

015T0438
 315T3001
 315T4726
 315T3055

 **BOEING**
 COMPONENT
 MAINTENANCE MANUAL

FIG. & ITEM	PART NO.	AIRLINE PART NUMBER	NOMENCLATURE	EFF CODE	QTY PER ASSY
			1234567		
01- -746	315T3002-66		.COWL ASSY- (REF CMM 71-11-32)	D,CY, EH,EV	1
-746A	315T3002-70		DELETED		
-746B	315T3002-60		DELETED		
-746C	315T3002-92		DELETED		
749	BACR15BB3AD		DELETED		
752	MS27253-2		DELETED		
801	315T3579-1SP		DELETED		
804	315T3529-2		DELETED		
-805	288T3199		DELETED		
807	BACB30LJ3-7		DELETED		
810	BACB30LL4-2		DELETED		
813	BACB30LL4-3		DELETED		
816	315T3705-7		DELETED		
819	BACR15CE3AD		DELETED		
822	315T3705-19		DELETED		
825	BACR15CE5AD		DELETED		
828	BACR15BB5AD		DELETED		
831	315T3705-17		DELETED		
834	315T3705-15		DELETED		
837	315T3705-26		DELETED		
840	BACR15BA5AD		DELETED		
843	315T3529-4		DELETED		
846	315T3530-1		DELETED		
849	BACR15BA5AD		DELETED		
852	315T3530-5		DELETED		
855	315T3705-3		DELETED		
858	BACR15CE3AD2		DELETED		
860	BRF200C3M		DELETED		

78-31-14

ILLUSTRATED PARTS LIST
 01.1 Page 1030C
 Jul 01/04

FIG. & ITEM	PART NO.	AIRLINE PART NUMBER	NOMENCLATURE 1234567	EFF CODE	QTY PER ASSY
01-					
864	315T3705-13		DELETED		
867	315T3705-20		DELETED		
870	BACB30LL3-4		DELETED		
873	BACR15CE3AD2		DELETED		
876	BRF200C3M		DELETED		
879	315T3705-24		DELETED		
882	315T3530-3		DELETED		
-885	315T3154-1		DELETED		
-888	315T3154-2		DELETED		
891	NAS6703-3		DELETED		
893	AN960C10L		DELETED		
895	H10-3BAC		DELETED		
897	JM44LC13WS4R		DELETED		
899	BACC10GT2-04P		DELETED		
901	AE2463835E0160		DELETED		
903	AE2463835E0152		DELETED		
905	315T3154-3		DELETED		
907	315T3154-4		DELETED		
909	ER832-0405J		DELETED		
911	MS21902J4		DELETED		
912	M83248-1-012		DELETED		
913	AP1010-0404M		DELETED		
915	DB0S13BX04H		DELETED		
917	MS21921-4J		DELETED		
919	AN924-4J		DELETED		
921	AN960C716		DELETED		
923	BACB30NM4K15		DELETED		
925	AN960C416		DELETED		
927	NAS1804-4		DELETED		
929	0111153-007		DELETED		
931	HL10VAZ6-4		DELETED		
932	HL79-6		DELETED		
933	315T3154-11		DELETED		
935	BACR15BB5AD		DELETED		
937	315T3154-12		DELETED		
939	BACR15BB5AD		DELETED		
941	315T3154-15		DELETED		
-943	315T3154-16		DELETED		
945	315T3154-16		DELETED		
-947	315T3154-15		DELETED		
949	BACR15BB6AD		DELETED		
951	315T3154-13		DELETED		
953	315T3154-14		DELETED		
955	BACR15BB6AD		DELETED		
957	315T3154-17		DELETED		

78-31-14

 ILLUSTRATED PARTS LIST
 01.1 Page 1030D
 Jul 01/04

015T0438
 315T3001
 315T4726
 315T3055

 **BOEING**
 COMPONENT
 MAINTENANCE MANUAL

FIG. & ITEM	PART NO.	AIRLINE PART NUMBER	NOMENCLATURE 1234567	EFF CODE	QTY PER ASSY
01-					
-959	315T3154-18		DELETED		
961	BACR15BB5AD		DELETED		
963	315T3154-19		DELETED		
965	315T3154-5		DELETED		
966	BACR15FT6KE		DELETED		
967	BACR15BB5AD		DELETED		
968	315T3633-102		DELETED		
969	315T3633-67		DELETED		
970	315T3154-7		DELETED		
971	315T3154-8		DELETED		
972	315T3154-6		DELETED		
973	BACR15FT6KE		DELETED		
974	BACR15BB5AD		DELETED		
975	315T3633-68		DELETED		
976	315T3154-9		DELETED		
977	315T3154-10		DELETED		
-978	315T3156-1		DELETED		
-978J	315T3156-2		DELETED		
979	315T3157-1		DELETED		
980	BACR15BB3AD		.RIVET- (SIZE DETERMINE ON INST)	A-D,B S,CC, CN,CY ,EE-E H ES-EV	4
-980A	BACR15BB3AD		.RIVET-*(1) (SIZE DETERMINE ON INST)	J,K,B U,CQ, EJ,EL ,EW,E Y	4

78-31-14

ILLUSTRATED PARTS LIST
 01.1 Page 1030E
 Jul 01/04

FIG. & ITEM	PART NO.	AIRLINE PART NUMBER	NOMENCLATURE	EFF CODE	QTY PER ASSY
01-985	MS27253-2		.PLATE	A-D,B S,CC, CN,CY ,EE-E H ES-EV	1
-985A	MS27253-2		.PLATE-*(1)	J,K,B U,CQ, EJ,EL ,EW,E Y	1
			INSTALLATION PARTS	A-D,J ,K,BS ,BU,C C,CN, CQ,CY EE-EJ ,EL,E S-EW, EY	
-995	288T3199		WIRE BUNDLE INSTL-COWLING AND THRUST REVERSER (FOR DETAILS SEE FIG. 3)	A-D,J ,K,BS ,BU,C C,CN, CQ,CY EE-EJ ,EL,E S-EW, EY	RF

78-31-14

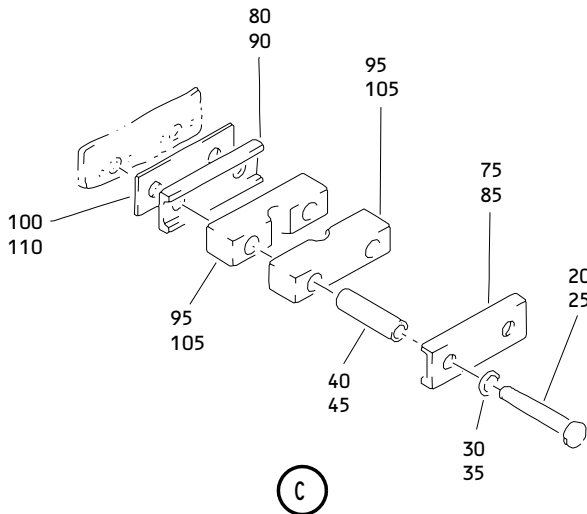
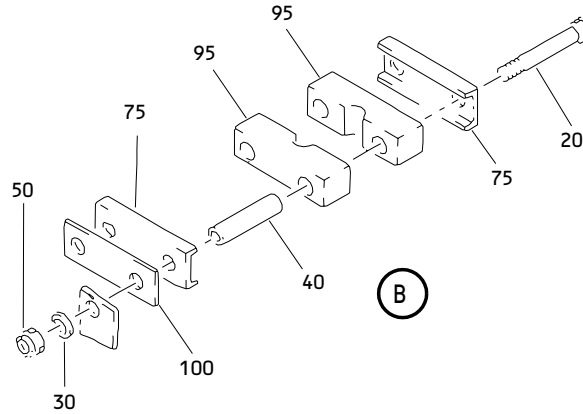
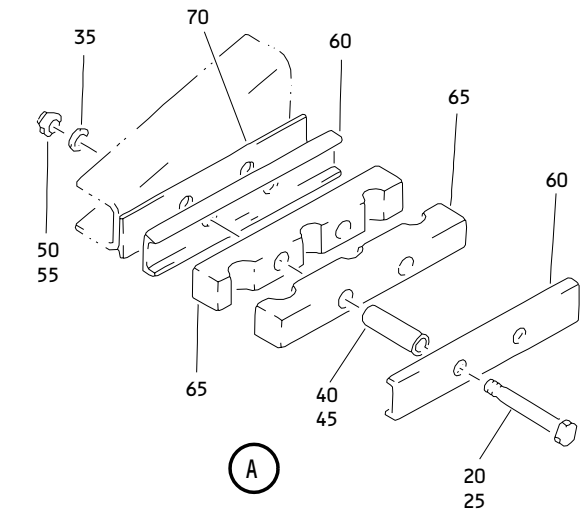
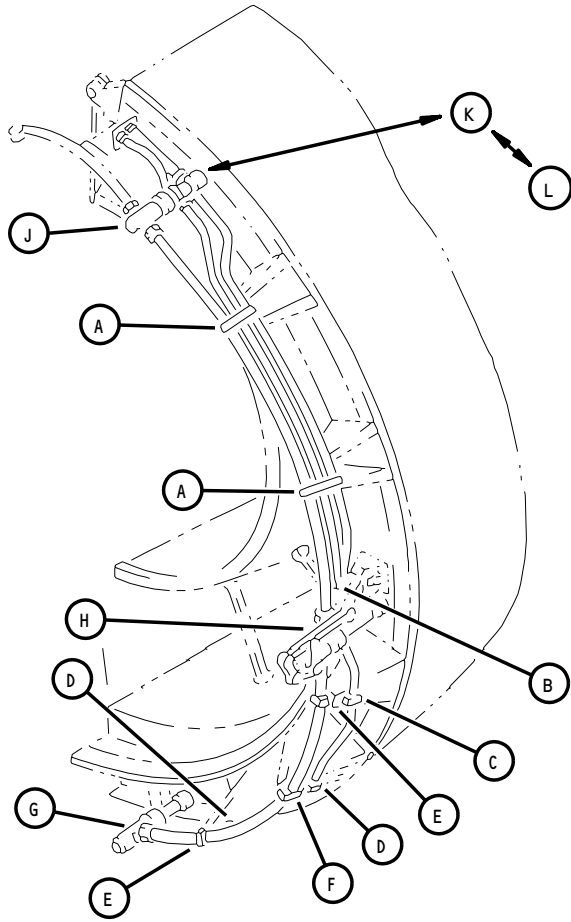
 ILLUSTRATED PARTS LIST
 01.1 Page 1030F
 Jul 01/04

015T0438
 315T3001
 315T4726
 315T3055

 **BOEING**
 COMPONENT
 MAINTENANCE MANUAL

FIG. & ITEM	PART NO.	AIRLINE PART NUMBER	NOMENCLATURE 1234567	EFF CODE	QTY PER ASSY
01-996	315T3013-1		LINK ASSY-FWD HINGE	A-D, J ,K,BS ,BU,C C,CN, CQ,CY EE-EJ ,EL,E S-EW, EY	1
997	P20701		.BEARING-SPHERICAL BALL (V57606) (SPEC S302T001-202B) (OPT VTBO4531 (V06710))	A-D, J ,K,BS ,BU,C C,CN, CQ,CY EE-EJ ,EL,E S-EW, EY	1
998	315T3315-2		.BUSHING	A-D, J ,K,BS ,BU,C C,CN, CQ,CY EE-EJ ,EL,E S-EW, EY	2
998H	315T3009-1		.LINK *(1) PART OF COLLECTOR ASSY 315T3001-7001.	A-D, J ,K,BS ,BU,C C,CN, CQ,CY EE-EJ ,EL,E S-EW, EY	1

- Item Not Illustrated
 *[1] PART OF COLLECTOR ASSY 315T3001-7001

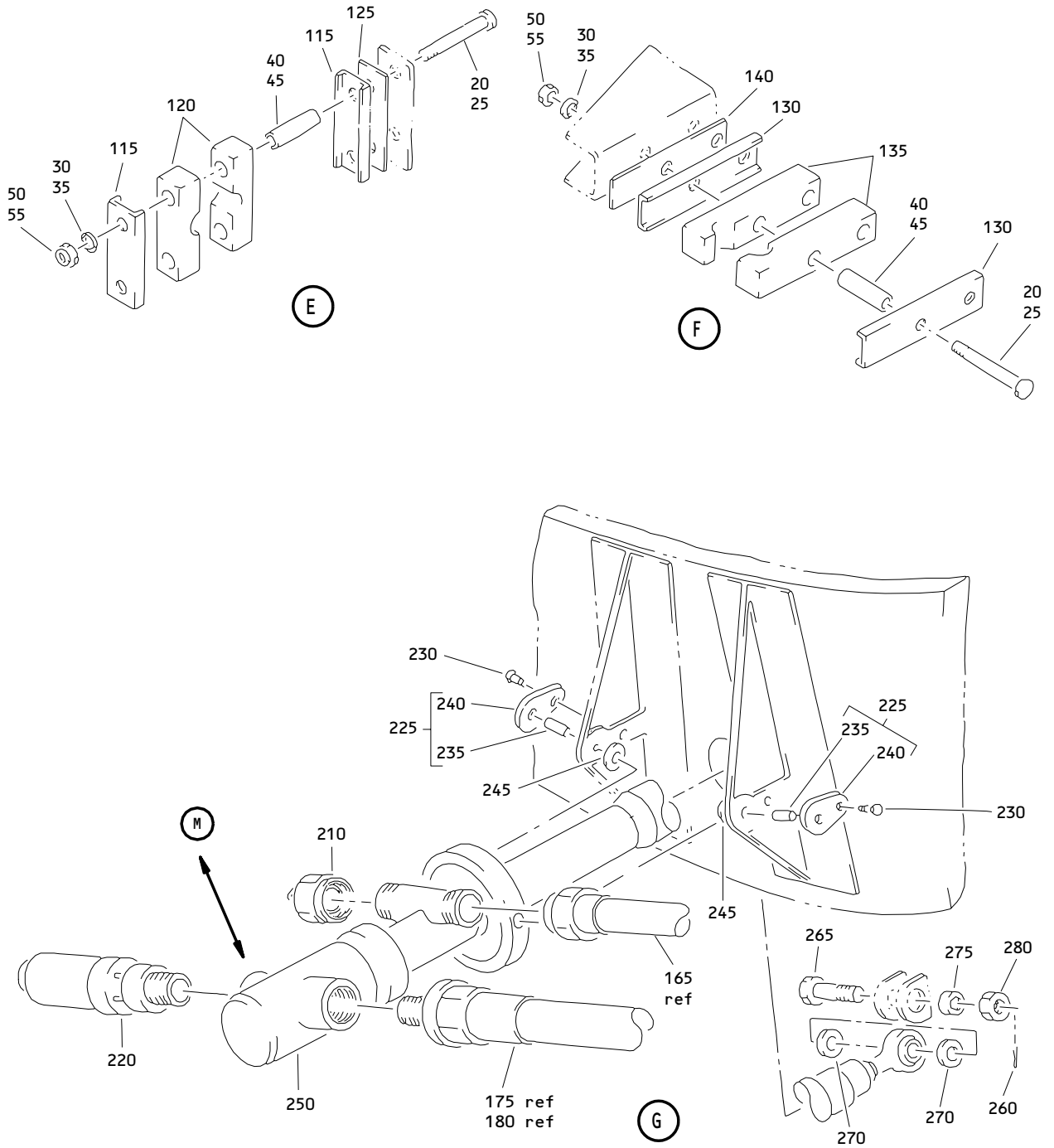


Thrust Reverser Actuator and Tubing Installation
 Figure 2 (Sheet 1)

78-31-14

ILLUSTRATED PARTS LIST
 01.1 Page 1030H
 Jul 01/04

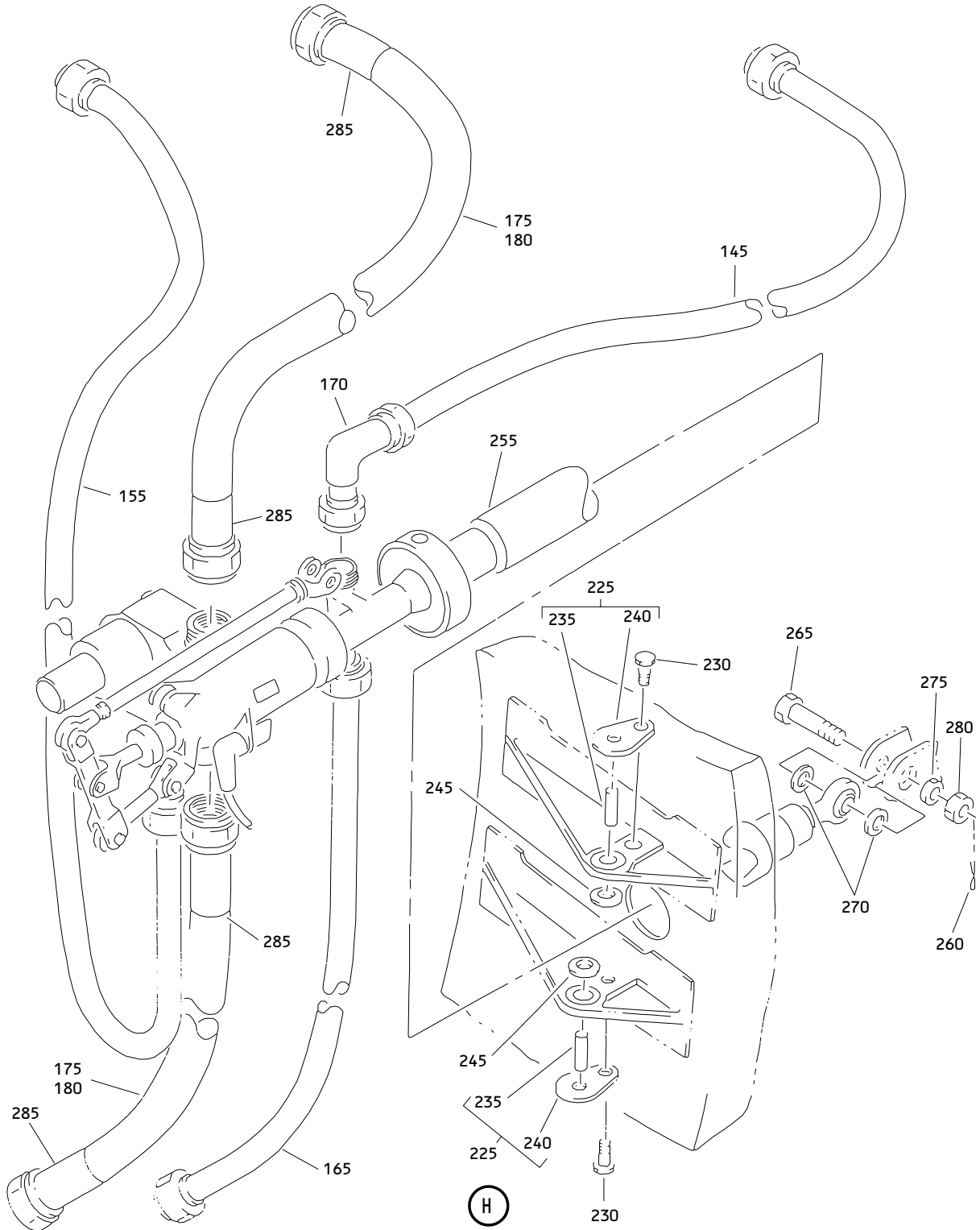
015T0438
315T3001
315T4726
315T3055



Thrust Reverser Actuator and Tubing Installation
Figure 2 (Sheet 2)

78-31-14

ILLUSTRATED PARTS LIST
01.1 Page 1030I
Jul 01/04

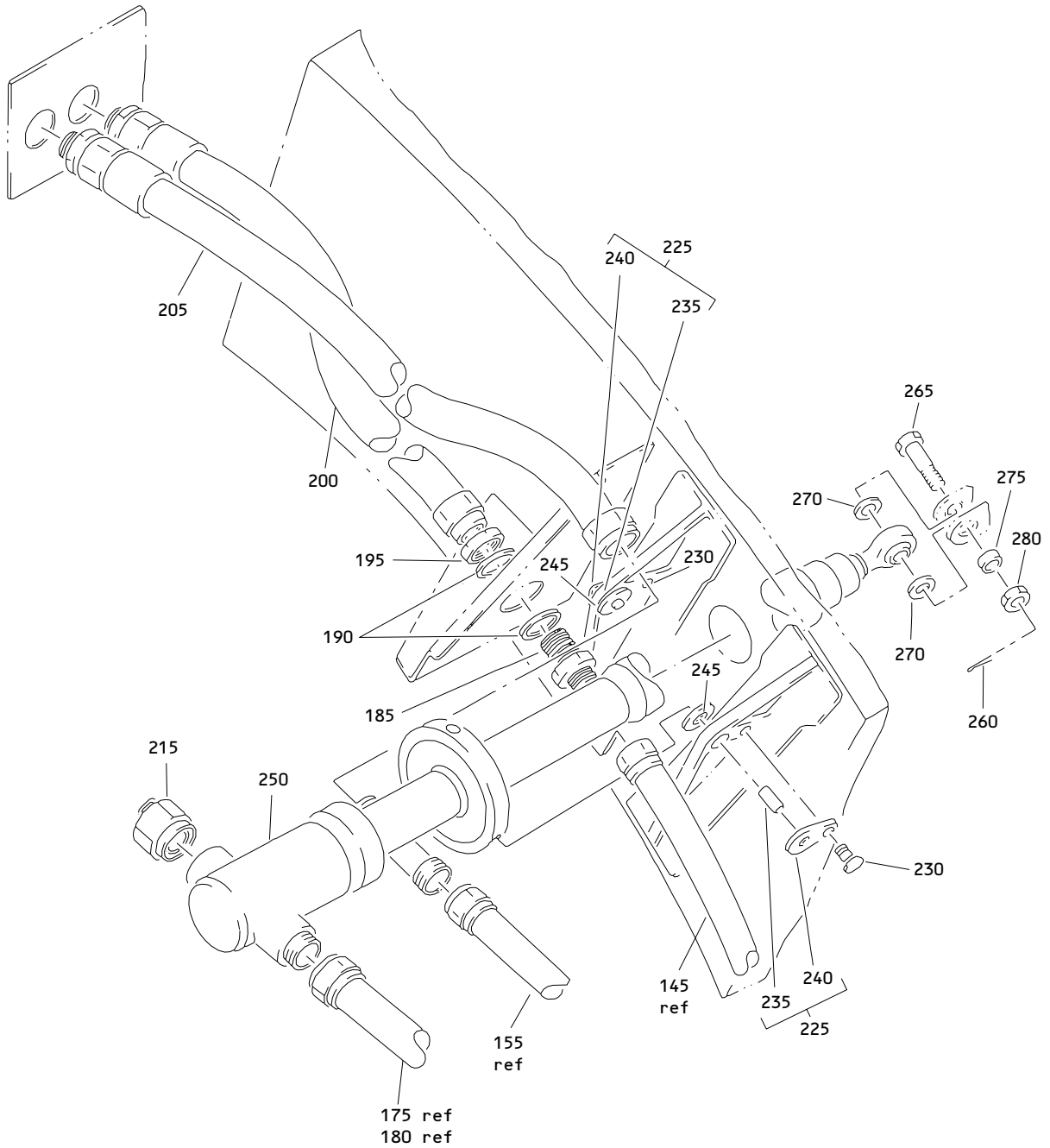


Thrust Reverser Actuator and Tubing Installation
 Figure 2 (Sheet 3)

78-31-14

ILLUSTRATED PARTS LIST
 01.1 Page 1030J
 Jul 01/04

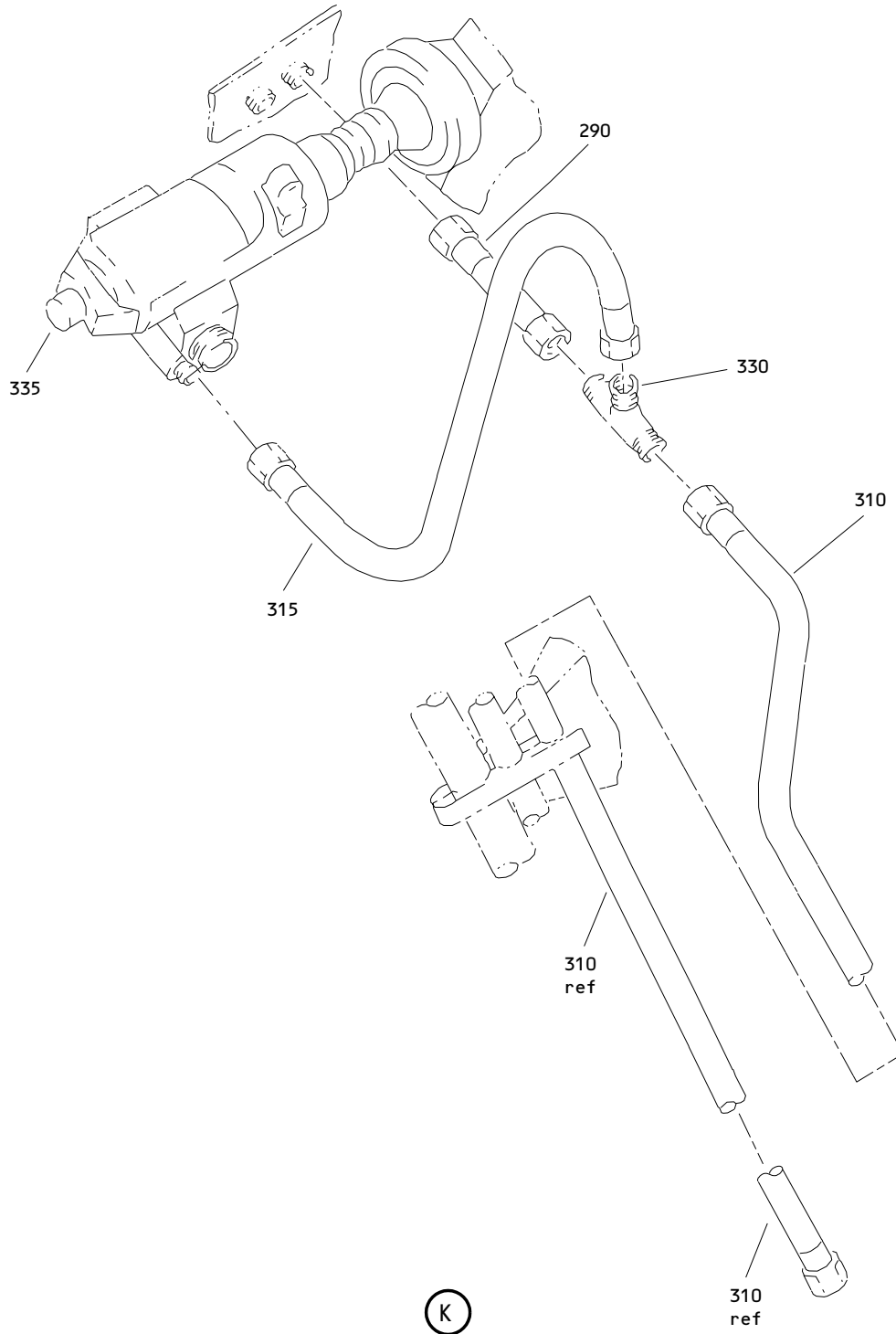
015T0438
315T3001
315T4726
315T3055



Thrust Reverser Actuator and Tubing Installation
Figure 2 (Sheet 4)

78-31-14

ILLUSTRATED PARTS LIST
01.1 Page 1030K
Jul 01/04

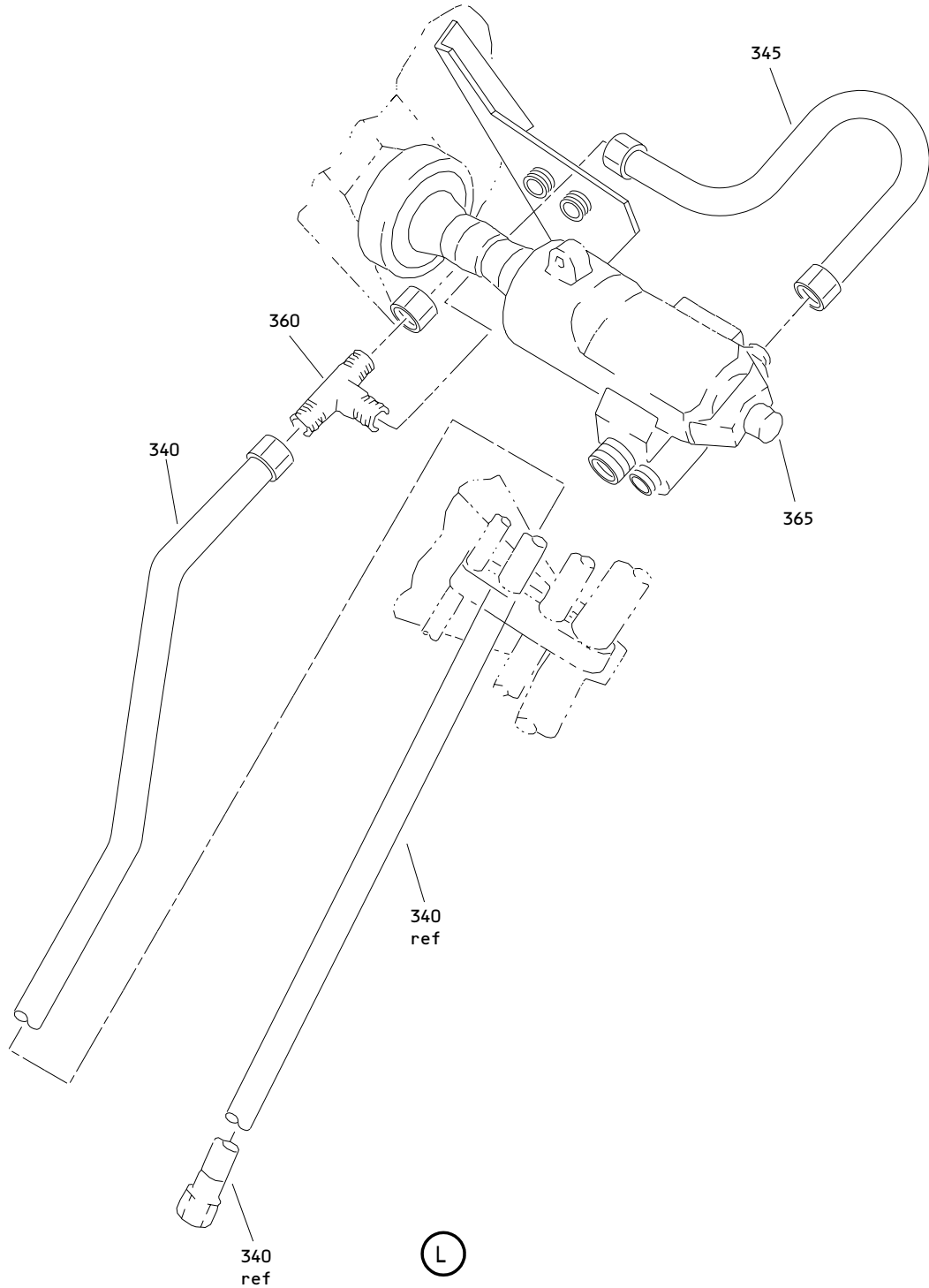


Thrust Reverser Actuator and Tubing Installation
Figure 2 (Sheet 5)

78-31-14

ILLUSTRATED PARTS LIST
01.1 Page 1030L
Jul 01/04

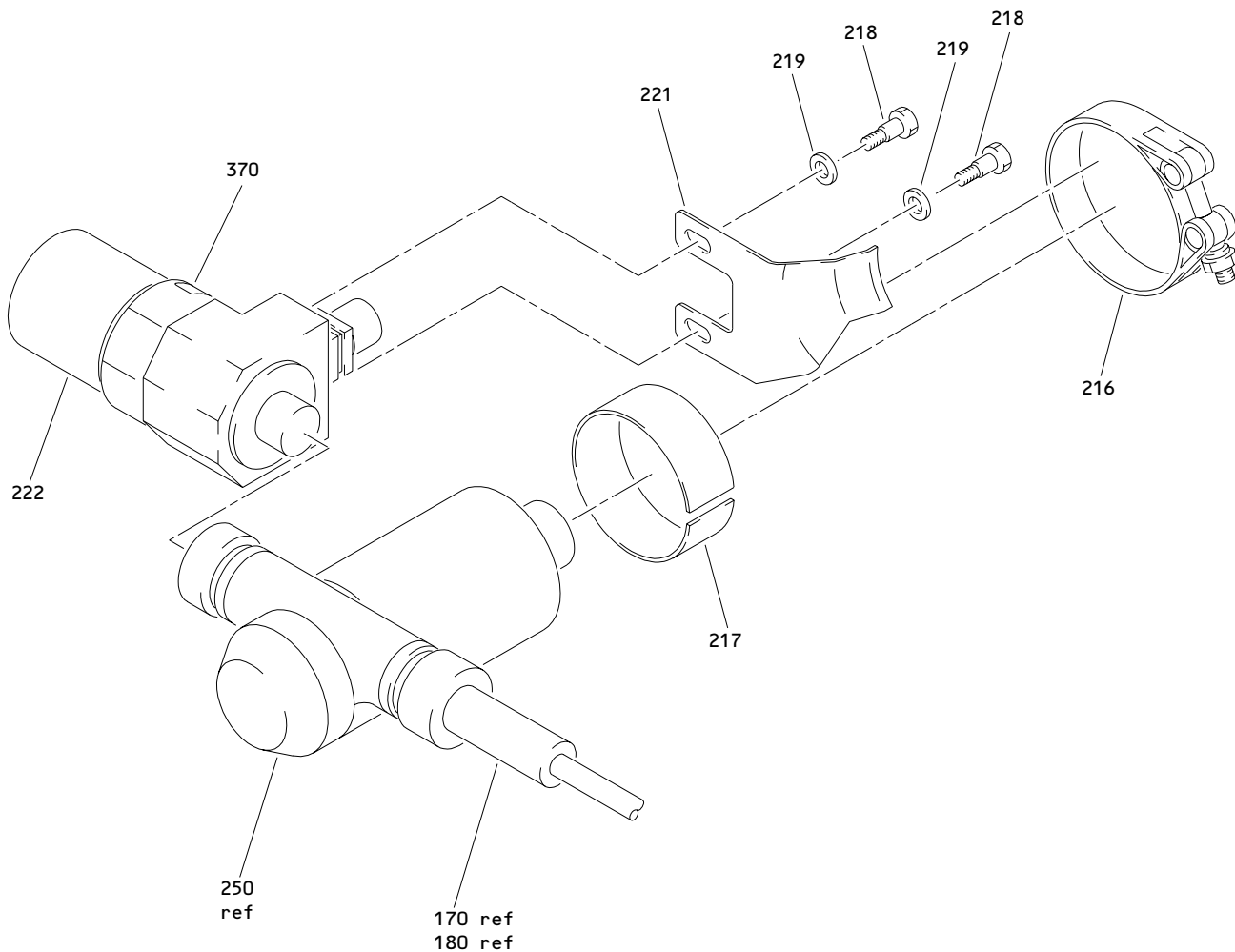
015T0438
315T3001
315T4726
315T3055



Thrust Reverser Actuator and Tubing Installation
Figure 2 (Sheet 6)

78-31-14

ILLUSTRATED PARTS LIST
01.1 Page 1030M
Jul 01/04



Thrust Reverser Actuator and Tubing Installation
Figure 2 (Sheet 7)

78-31-14

ILLUSTRATED PARTS LIST
01.1 Page 1030N
Jul 01/04

015T0438
 315T3001
 315T4726
 315T3055

 **BOEING**
 COMPONENT
 MAINTENANCE MANUAL

FIG. & ITEM	PART NO.	AIRLINE PART NUMBER	NOMENCLATURE	EFF CODE	QTY PER ASSY
02-1	315T3602-13		1234567 ACTUATOR AND TUBING- INSTL-THRUST REVERSER	A,C,E ,G, J-P, S-U,A A,AE, AG AJ,AL ,AN,A Q,AS, AU,AW ,AY BA,BC ,BE-B G,B L-BN, BS-CB CN-CX ,DJ,D L,DN, DQ,DS ,DU DW,DY ,EA, EC,EE ,EG,E J,EL EN,EQ ,ES,E U,EW, EY,F A-FC FE,FJ ,FL,F N,FQ,	RF

78-31-14

ILLUSTRATED PARTS LIST
 01.1 Page 10300
 Jul 01/04

FIG. & ITEM	PART NO.	AIRLINE PART NUMBER	NOMENCLATURE 1234567	EFF CODE	QTY PER ASSY
02-				FS, FU ,FW FY, GA ,GC, GE, GG ,GJ, G L, GN GQ, GS ,GT, G W, GY, HA, HC JD-JG ,JM-J Q	

78-31-14

015T0438
 315T3001
 315T4726
 315T3055

 **BOEING**
 COMPONENT
 MAINTENANCE MANUAL

FIG. & ITEM	PART NO.	AIRLINE PART NUMBER	NOMENCLATURE	EFF CODE	QTY PER ASSY
02- -1A -5	315T3602-1 315T3602-14		1234567 DELETED ACTUATOR AND TUBING- INSTL-THRUST REVERSER	B,D,F ,H,Q, R,V-Z ,AB-A D,AF AH,AK ,AM,A P,AR, AT,AV ,AX AZ,BB ,BD,B H-BK, BP-BR CC-CM ,CY-D H,DK, DM,DP ,DR DT,DV ,DX,D Z,EB, ED,EF ,EH EK,EM ,EP,E R,ET, EV,EX ,EZ FD,FF ,FG,F H,FK, FM,FP	RF

78-31-14

ILLUSTRATED PARTS LIST
 01.1 Page 1030Q
 Jul 01/04

FIG. & ITEM	PART NO.	AIRLINE PART NUMBER	NOMENCLATURE 1234567	EFF CODE	QTY PER ASSY
02-				,FR FT ,FV ,FX ,F Z ,GB , GD ,GF ,GH GK ,GM ,GP ,G R ,GU , GV ,GX ,GZ HB ,HD ,JH-J L ,J R-JU	

78-31-14

015T0438
 315T3001
 315T4726
 315T3055

 **BOEING**
 COMPONENT
 MAINTENANCE MANUAL

FIG. & ITEM	PART NO.	AIRLINE PART NUMBER	NOMENCLATURE	EFF CODE	QTY PER ASSY
02-10	315T3602-5009		1234567 .ACTUATOR AND TUBING INSTL- (LIMITED)	A,C,E ,G, J-P, S-U,A A,AE, AG AJ,AL ,AN,A Q,AS, AU,AW ,AY BA,BC ,BE-B G,B L-BN, BS-CB CN-CX ,DJ,D L,DN, DQ,DS ,DU DW,DY ,EA, EC,EE ,EG,E J,EL EN,EQ ,ES,E U,EW, EY,F A-FC FE,FJ ,FL,F N,FQ,	1

78-31-14

ILLUSTRATED PARTS LIST
 01.1 Page 1030S
 Jul 01/04

FIG. & ITEM	PART NO.	AIRLINE PART NUMBER	NOMENCLATURE 1234567	EFF CODE	QTY PER ASSY
02-				FS, FU ,FW FY, GA ,GC, GE, GG ,GJ, G L, GN GQ, GS ,GT, G W, GY, HA, HC JD-JG ,JM-J Q	

78-31-14

015T0438
 315T3001
 315T4726
 315T3055

 **BOEING**
 COMPONENT
 MAINTENANCE MANUAL

FIG. & ITEM	PART NO.	AIRLINE PART NUMBER	NOMENCLATURE	EFF CODE	QTY PER ASSY
02-10A	315T3602-5011		1234567 .ACTUATOR AND TUBING INSTL- (LIMITED)	A,C,E ,G, J-P, S-U,A A,AE, AG AJ,AL ,AN,A Q,AS, AU,AW ,AY BA,BC ,BE-B G,B L-BN, BS-CB CN-CX ,DJ,D L,DN, DQ,DS ,DU DW,DY ,EA, EC,EE ,EG,E J,EL EN,EQ ,ES,E U,EW, EY,F A-FC FE,FJ ,FL,F N,FQ,	1

78-31-14

ILLUSTRATED PARTS LIST
 01.1 Page 1030U
 Jul 01/04

FIG. & ITEM	PART NO.	AIRLINE PART NUMBER	NOMENCLATURE 1234567	EFF CODE	QTY PER ASSY
02-				FS, FU ,FW FY, GA ,GC, GE, GG ,GJ, G L, GN GQ, GS ,GT, G W, GY, HA, HC JD-JG ,JM-J Q	

78-31-14

015T0438
 315T3001
 315T4726
 315T3055

 **BOEING**
 COMPONENT
 MAINTENANCE MANUAL

FIG. & ITEM	PART NO.	AIRLINE PART NUMBER	NOMENCLATURE	EFF CODE	QTY PER ASSY
02-10B	315T3602-5013		1234567 .ACTUATOR AND TUBING INSTL- (LIMITED)	A,C,E ,G, J-P, S-U,A A,AE, AG AJ,AL ,AN,A Q,AS, AU,AW ,AY BA,BC ,BE-B G,B L-BN, BS-CB CN-CX ,DJ,D L,DN, DQ,DS ,DU DW,DY ,EA, EC,EE ,EG,E J,EL EN,EQ ,ES,E U,EW, EY,F A-FC FE,FJ ,FL,F N,FQ,	1

78-31-14

ILLUSTRATED PARTS LIST
 01.1 Page 1030W
 Jul 01/04

FIG. & ITEM	PART NO.	AIRLINE PART NUMBER	NOMENCLATURE 1234567	EFF CODE	QTY PER ASSY
02-				FS, FU ,FW FY, GA ,GC, GE, GG ,GJ, G L, GN GQ, GS ,GT, G W, GY, HA, HC JD-JG ,JM-J Q	

78-31-14

ILLUSTRATED PARTS LIST
 01.1 Page 1030X
 Jul 01/04

015T0438
 315T3001
 315T4726
 315T3055

 **BOEING**
 COMPONENT
 MAINTENANCE MANUAL

FIG. & ITEM	PART NO.	AIRLINE PART NUMBER	NOMENCLATURE	EFF CODE	QTY PER ASSY
02- -10C	315T3602-5015		1234567 ACTUATOR AND TUBING INSTL- (LIMITED)	A,C,E ,G, J-P, S-U,A A,AE, AG AJ,AL ,AN,A Q,AS, AU,AW ,AY BA,BC ,BE-B G,B L-BN, BS-CB CN-CX ,DJ,D L,DN, DQ,DS ,DU DW,DY ,EA, EC,EE ,EG,E J,EL EN,EQ ,ES,E U,EW, EY,F A-FC FE,FJ ,FL,F N,FQ,	1

78-31-14

ILLUSTRATED PARTS LIST
 01.1 Page 1030Y
 Jul 01/04

FIG. & ITEM	PART NO.	AIRLINE PART NUMBER	NOMENCLATURE 1234567	EFF CODE	QTY PER ASSY
02-				FS, FU ,FW FY, GA ,GC, GE, GG ,GJ, G L, GN GQ, GS ,GT, G W, GY, HA, HC JD-JG ,JM-J Q	

78-31-14

015T0438
 315T3001
 315T4726
 315T3055

 **BOEING**
 COMPONENT
 MAINTENANCE MANUAL

FIG. & ITEM	PART NO.	AIRLINE PART NUMBER	NOMENCLATURE	EFF CODE	QTY PER ASSY
02- -10D	315T3602-5017		1234567 .ACTUATOR AND TUBING INSTL- (LIMITED)	A,C,E ,G, J-P, S-U,A A,AE, AG AJ,AL ,AN,A Q,AS, AU,AW ,AY BA,BC ,BE-B G,B L-BN, BS-CB CN-CX ,DJ,D L,DN, DQ,DS ,DU DW,DY ,EA, EC,EE ,EG,E J,EL EN,EQ ,ES,E U,EW, EY,F A-FC FE,FJ ,FL,F N,FQ,	1

78-31-14

ILLUSTRATED PARTS LIST
 01.1 Page 1031
 Jul 01/04

FIG. & ITEM	PART NO.	AIRLINE PART NUMBER	NOMENCLATURE	EFF CODE	QTY PER ASSY
02-			1234567		
				FS, FU ,FW FY, GA ,GC, GE, GG ,GJ, G L, GN GQ, GS ,GT, G W, GY, HA, HC JD-JG ,JM-J Q	
-10E	315T3602-5001		DELETED		
-10F	315T3602-5003		DELETED		
-10G	315T3602-5005		DELETED		
-10H	315T3602-5007		DELETED		

78-31-14

015T0438
 315T3001
 315T4726
 315T3055

 **BOEING**
 COMPONENT
 MAINTENANCE MANUAL

FIG. & ITEM	PART NO.	AIRLINE PART NUMBER	NOMENCLATURE	EFF CODE	QTY PER ASSY
02- -10J	315T3602-5021		1234567 .ACTUATOR AND TUBING INSTL- (LIMITED)	A,C,E ,G, J-P, S-U,A A,AE, AG AJ,AL ,AN,A Q,AS, AU,AW ,AY BA,BC ,BE-B G,B L-BN, BS-CB CN-CX ,DJ,D L,DN, DQ,DS ,DU DW,DY ,EA, EC,EE ,EG,E J,EL EN,EQ ,ES,E U,EW, EY,F A-FC FE,FJ ,FL,F N,FQ,	1

78-31-14

ILLUSTRATED PARTS LIST
 01.1 Page 1032A
 Jul 01/04

FIG. & ITEM	PART NO.	AIRLINE PART NUMBER	NOMENCLATURE 1234567	EFF CODE	QTY PER ASSY
02-				FS, FU ,FW FY, GA ,GC, GE, GG ,GJ, G L, GN GQ, GS ,GT, G W, GY, HA, HC JD-JG ,JM-J Q	

78-31-14

015T0438
 315T3001
 315T4726
 315T3055

 **BOEING**
 COMPONENT
 MAINTENANCE MANUAL

FIG. & ITEM	PART NO.	AIRLINE PART NUMBER	NOMENCLATURE	EFF CODE	QTY PER ASSY
02- -10K	315T3602-5029		1234567 ACTUATOR AND TUBING INSTL- (LIMITED)	A,C,E ,G, J-P, S-U,A A,AE, AG AJ,AL ,AN,A Q,AS, AU,AW ,AY BA,BC ,BE-B G,B L-BN, BS-CB CN-CX ,DJ,D L,DN, DQ,DS ,DU DW,DY ,EA, EC,EE ,EG,E J,EL EN,EQ ,ES,E U,EW, EY,F A-FC FE,FJ ,FL,F N,FQ,	1

78-31-14

ILLUSTRATED PARTS LIST
 01.1 Page 1032C
 Jul 01/04

FIG. & ITEM	PART NO.	AIRLINE PART NUMBER	NOMENCLATURE 1234567	EFF CODE	QTY PER ASSY
02-				FS, FU ,FW FY, GA ,GC, GE, GG ,GJ, G L, GN GQ, GS ,GT, G W, GY, HA, HC JD-JG ,JM-J Q	

78-31-14

015T0438
 315T3001
 315T4726
 315T3055

 **BOEING**
 COMPONENT
 MAINTENANCE MANUAL

FIG. & ITEM	PART NO.	AIRLINE PART NUMBER	NOMENCLATURE	EFF CODE	QTY PER ASSY
02-15	315T3602-5010		1234567 .ACTUATOR AND TUBING INSTL- (LIMITED)	B,D,F ,H,Q, R,V-Z ,AB-A D,AF AH,AK ,AM,A P,AR, AT,AV ,AX AZ,BB ,BD,B H-BK, BP-BR CC-CM ,CY-D H,DK, DM,DP ,DR DT,DV ,DX,D Z,EB, ED,EF ,EH EK,EM ,EP,E R,ET, EV,EX ,EZ FD,FF ,FG,F H,FK, FM,FP ,FR	1

78-31-14

ILLUSTRATED PARTS LIST
 01.1 Page 1032E
 Jul 01/04

FIG. & ITEM	PART NO.	AIRLINE PART NUMBER	NOMENCLATURE 1234567	EFF CODE	QTY PER ASSY
02-				FT,FV ,FX,F Z,GB, GD,GF ,GH GK,GM ,GP,G R,GU, GV,GX ,GZ HB,HD ,JH-J L,J R-JU	

78-31-14

015T0438
 315T3001
 315T4726
 315T3055

 **BOEING**
 COMPONENT
 MAINTENANCE MANUAL

FIG. & ITEM	PART NO.	AIRLINE PART NUMBER	NOMENCLATURE	EFF CODE	QTY PER ASSY
02-15A	315T3602-5012		1234567 .ACTUATOR AND TUBING INSTL- (LIMITED)	B,D,F ,H,Q, R,V-Z ,AB-A D,AF AH,AK ,AM,A P,AR, AT,AV ,AX AZ,BB ,BD,B H-BK, BP-BR CC-CM ,CY-D H,DK, DM,DP ,DR DT,DV ,DX,D Z,EB, ED,EF ,EH EK,EM ,EP,E R,ET, EV,EX ,EZ FD,FF ,FG,F H,FK, FM,FP ,FR	1

78-31-14

ILLUSTRATED PARTS LIST
 01.1 Page 1032G
 Jul 01/04

FIG. & ITEM	PART NO.	AIRLINE PART NUMBER	NOMENCLATURE 1234567	EFF CODE	QTY PER ASSY
02-				FT, FV ,FX, F Z, GB, GD, GF ,GH GK, GM ,GP, G R, GU, GV, GX ,GZ HB, HD ,JH-J L, J R-JU	

78-31-14

015T0438
 315T3001
 315T4726
 315T3055

 **BOEING**
 COMPONENT
 MAINTENANCE MANUAL

FIG. & ITEM	PART NO.	AIRLINE PART NUMBER	NOMENCLATURE	EFF CODE	QTY PER ASSY
02-15B	315T3602-5014		1234567 .ACTUATOR AND TUBING INSTL- (LIMITED)	B,D,F ,H,Q, R,V-Z ,AB-A D,AF AH,AK ,AM,A P,AR, AT,AV ,AX AZ,BB ,BD,B H-BK, BP-BR CC-CM ,CY-D H,DK, DM,DP ,DR DT,DV ,DX,D Z,EB, ED,EF ,EH EK,EM ,EP,E R,ET, EV,EX ,EZ FD,FF ,FG,F H,FK, FM,FP ,FR	1

78-31-14

ILLUSTRATED PARTS LIST
 01.1 Page 1032I
 Jul 01/04

FIG. & ITEM	PART NO.	AIRLINE PART NUMBER	NOMENCLATURE 1234567	EFF CODE	QTY PER ASSY
02-				FT,FV ,FX,F Z,GB, GD,GF ,GH GK,GM ,GP,G R,GU, GV,GX ,GZ HB,HD ,JH-J L,J R-JU	

78-31-14

015T0438
 315T3001
 315T4726
 315T3055

 **BOEING**
 COMPONENT
 MAINTENANCE MANUAL

FIG. & ITEM	PART NO.	AIRLINE PART NUMBER	NOMENCLATURE	EFF CODE	QTY PER ASSY
02- -15C	315T3602-5016		1234567 .ACTUATOR AND TUBING INSTL- (LIMITED)	B,D,F ,H,Q, R,V-Z ,AB-A D,AF AH,AK ,AM,A P,AR, AT,AV ,AX AZ,BB ,BD,B H-BK, BP-BR CC-CM ,CY-D H,DK, DM,DP ,DR DT,DV ,DX,D Z,EB, ED,EF ,EH EK,EM ,EP,E R,ET, EV,EX ,EZ FD,FF ,FG,F H,FK, FM,FP ,FR	1

78-31-14

ILLUSTRATED PARTS LIST
 01.1 Page 1032K
 Jul 01/04

FIG. & ITEM	PART NO.	AIRLINE PART NUMBER	NOMENCLATURE 1234567	EFF CODE	QTY PER ASSY
02-				FT,FV ,FX,F Z,GB, GD,GF ,GH GK,GM ,GP,G R,GU, GV,GX ,GZ HB,HD ,JH-J L,J R-JU	

78-31-14

015T0438
 315T3001
 315T4726
 315T3055

 **BOEING**
 COMPONENT
 MAINTENANCE MANUAL

FIG. & ITEM	PART NO.	AIRLINE PART NUMBER	NOMENCLATURE	EFF CODE	QTY PER ASSY
02-15D	315T3602-5018		1234567 .ACTUATOR AND TUBING INSTL- (LIMITED)	B,D,F ,H,Q, R,V-Z ,AB-A D,AF AH,AK ,AM,A P,AR, AT,AV ,AX AZ,BB ,BD,B H-BK, BP-BR CC-CM ,CY-D H,DK, DM,DP ,DR DT,DV ,DX,D Z,EB, ED,EF ,EH EK,EM ,EP,E R,ET, EV,EX ,EZ FD,FF ,FG,F H,FK, FM,FP ,FR	1

78-31-14

ILLUSTRATED PARTS LIST
 01.1 Page 1032M
 Jul 01/04

FIG. & ITEM	PART NO.	AIRLINE PART NUMBER	NOMENCLATURE 1234567	EFF CODE	QTY PER ASSY
02-				FT, FV ,FX, F Z, GB, GD, GF ,GH GK, GM ,GP, G R, GU, GV, GX ,GZ HB, HD ,JH-J L, J R-JU	

78-31-14

015T0438
 315T3001
 315T4726
 315T3055

 **BOEING**
 COMPONENT
 MAINTENANCE MANUAL

FIG. & ITEM	PART NO.	AIRLINE PART NUMBER	NOMENCLATURE	EFF CODE	QTY PER ASSY
02- -15E	315T3602-5022		1234567 ACTUATOR AND TUBING INSTL- (LIMITED)	B,D,F ,H,Q, R,V-Z ,AB-A D,AF AH,AK ,AM,A P,AR, AT,AV ,AX AZ,BB ,BD,B H-BK, BP-BR CC-CM ,CY-D H,DK, DM,DP ,DR DT,DV ,DX,D Z,EB, ED,EF ,EH EK,EM ,EP,E R,ET, EV,EX ,EZ FD,FF ,FG,F H,FK, FM,FP ,FR	1

78-31-14

ILLUSTRATED PARTS LIST
 01.1 Page 10320
 Jul 01/04

FIG. & ITEM	PART NO.	AIRLINE PART NUMBER	NOMENCLATURE 1234567	EFF CODE	QTY PER ASSY
02-				FT, FV ,FX, F Z, GB, GD, GF ,GH GK, GM ,GP, G R, GU, GV, GX ,GZ HB, HD ,JH-J L, J R-JU	

78-31-14

015T0438
 315T3001
 315T4726
 315T3055

 **BOEING**
 COMPONENT
 MAINTENANCE MANUAL

FIG. & ITEM	PART NO.	AIRLINE PART NUMBER	NOMENCLATURE	EFF CODE	QTY PER ASSY
02- -15F	315T3602-5030		1234567 .ACTUATOR AND TUBING INSTL- (LIMITED)	B,D,F ,H,Q, R,V-Z ,AB-A D,AF AH,AK ,AM,A P,AR, AT,AV ,AX AZ,BB ,BD,B H-BK, BP-BR CC-CM ,CY-D H,DK, DM,DP ,DR DT,DV ,DX,D Z,EB, ED,EF ,EH EK,EM ,EP,E R,ET, EV,EX ,EZ FD,FF ,FG,F H,FK, FM,FP ,FR	1

78-31-14

ILLUSTRATED PARTS LIST
 01.1 Page 1032Q
 Jul 01/04

FIG. & ITEM	PART NO.	AIRLINE PART NUMBER	NOMENCLATURE 1234567	EFF CODE	QTY PER ASSY
02-				FT, FV ,FX, F Z, GB, GD, GF ,GH GK, GM ,GP, G R, GU, GV, GX ,GZ HB, HD ,JH-J L, J R-JU	

78-31-14

015T0438
 315T3001
 315T4726
 315T3055

BOEING
 COMPONENT
 MAINTENANCE MANUAL

FIG. & ITEM	PART NO.	AIRLINE PART NUMBER	NOMENCLATURE 1234567	EFF CODE	QTY PER ASSY
02-20	BACB30LM3-22		..BOLT	A,C,E ,G, J-P, S-U,A A,AE, AG AJ,AL ,AN,A Q,AS, AU,AW ,AY BA,BC ,BE-B G,B L-BN, BS-CB CN-CX ,DJ,D L,DN, DQ,DS ,DU DW,DY ,EA, EC,EE ,EG,E J,EL EN,EQ ,ES,E U,EW, EY,F A-FC FE,FJ ,FL,F N,FQ,	18

78-31-14

ILLUSTRATED PARTS LIST
 01.1 Page 1032S
 Jul 01/04

FIG. & ITEM	PART NO.	AIRLINE PART NUMBER	NOMENCLATURE 1234567	EFF CODE	QTY PER ASSY
02-				FS, FU ,FW FY, GA ,GC, GE, GG ,GJ, G L, GN GQ, GS ,GT, G W, GY, HA, HC JD-JG ,JM-J Q	

78-31-14

ILLUSTRATED PARTS LIST
 01.1 Page 1032T
 Jul 01/04

015T0438
 315T3001
 315T4726
 315T3055

 **BOEING**
 COMPONENT
 MAINTENANCE MANUAL

FIG. & ITEM	PART NO.	AIRLINE PART NUMBER	NOMENCLATURE	EFF CODE	QTY PER ASSY
02-25	BACB30LM3-22		1234567 ..BOLT	B,D,F ,H,Q, R,V-Z ,AB-A D,AF AH,AK ,AM,A P,AR, AT,AV ,AX AZ,BB ,BD,B H-BK, BP-BR CC-CM ,CY-D H,DK, DM,DP ,DR DT,DV ,DX,D Z,EB, ED,EF ,EH EK,EM ,EP,E R,ET, EV,EX ,EZ FD,FF ,FG,F H,FK, FM,FP ,FR	16

78-31-14

ILLUSTRATED PARTS LIST
 01.1 Page 1032U
 Jul 01/04

FIG. & ITEM	PART NO.	AIRLINE PART NUMBER	NOMENCLATURE 1234567	EFF CODE	QTY PER ASSY
02-				FT,FV ,FX,F Z,GB, GD,GF ,GH GK,GM ,GP,G R,GU, GV,GX ,GZ HB,HD ,JH-J L,J R-JU	

78-31-14

015T0438
 315T3001
 315T4726
 315T3055

 **BOEING**
 COMPONENT
 MAINTENANCE MANUAL

FIG. & ITEM	PART NO.	AIRLINE PART NUMBER	NOMENCLATURE	EFF CODE	QTY PER ASSY
02-30	AN960PD10		1234567 ..WASHER	A,C,E ,G, J-P, S-U,A A,AE, AG AJ,AL ,AN,A Q,AS, AU,AW ,AY BA,BC ,BE-B G,B L-BN, BS-CB CN-CX ,DJ,D L,DN, DQ,DS ,DU DW,DY ,EA, EC,EE ,EG,E J,EL EN,EQ ,ES,E U,EW, EY,F A-FC FE,FJ ,FL,F N,FQ,	18

78-31-14

ILLUSTRATED PARTS LIST
 01.1 Page 1032W
 Jul 01/04

FIG. & ITEM	PART NO.	AIRLINE PART NUMBER	NOMENCLATURE 1234567	EFF CODE	QTY PER ASSY
02-				FS, FU ,FW FY, GA ,GC, GE, GG ,GJ, G L, GN GQ, GS ,GT, G W, GY, HA, HC JD-JG ,JM-J Q	

78-31-14

ILLUSTRATED PARTS LIST
 01.1 Page 1032X
 Jul 01/04

015T0438
 315T3001
 315T4726
 315T3055

 **BOEING**
 COMPONENT
 MAINTENANCE MANUAL

FIG. & ITEM	PART NO.	AIRLINE PART NUMBER	NOMENCLATURE	EFF CODE	QTY PER ASSY
02-35	AN960PD10		1234567 ..WASHER	B,D,F ,H,Q, R,V-Z ,AB-A D,AF AH,AK ,AM,A P,AR, AT,AV ,AX AZ,BB ,BD,B H-BK, BP-BR CC-CM ,CY-D H,DK, DM,DP ,DR DT,DV ,DX,D Z,EB, ED,EF ,EH EK,EM ,EP,E R,ET, EV,EX ,EZ FD,FF ,FG,F H,FK, FM,FP ,FR	16

78-31-14

ILLUSTRATED PARTS LIST
 01.1 Page 1032Y
 Jul 01/04

FIG. & ITEM	PART NO.	AIRLINE PART NUMBER	NOMENCLATURE 1234567	EFF CODE	QTY PER ASSY
02-				FT, FV ,FX, F Z, GB, GD, GF ,GH GK, GM ,GP, G R, GU, GV, GX ,GZ HB, HD ,JH-J L, J R-JU	

78-31-14

015T0438
 315T3001
 315T4726
 315T3055

 **BOEING**
 COMPONENT
 MAINTENANCE MANUAL

FIG. & ITEM	PART NO.	AIRLINE PART NUMBER	NOMENCLATURE	EFF CODE	QTY PER ASSY
02-40	NAS43DD3-68		1234567 ..SPACER	A,C,E ,G, J-P, S-U,A A,AE, AG AJ,AL ,AN,A Q,AS, AU,AW ,AY BA,BC ,BE-B G,B L-BN, BS-CB CN-CX ,DJ,D L,DN, DQ,DS ,DU DW,DY ,EA, EC,EE ,EG,E J,EL EN,EQ ,ES,E U,EW, EY,F A-FC FE,FJ ,FL,F N,FQ,	18

78-31-14

ILLUSTRATED PARTS LIST
 01.1 Page 1033
 Jul 01/04

FIG. & ITEM	PART NO.	AIRLINE PART NUMBER	NOMENCLATURE 1234567	EFF CODE	QTY PER ASSY
02-				FS, FU ,FW FY, GA ,GC, GE, GG ,GJ, G L, GN GQ, GS ,GT, G W, GY, HA, HC JD-JG ,JM-J Q	

78-31-14

ILLUSTRATED PARTS LIST
 01.1 Page 1034
 Jul 01/04

015T0438
 315T3001
 315T4726
 315T3055

 **BOEING**
 COMPONENT
 MAINTENANCE MANUAL

FIG. & ITEM	PART NO.	AIRLINE PART NUMBER	NOMENCLATURE	EFF CODE	QTY PER ASSY
02-45	NAS43DD3-68		1234567 ..SPACER	B,D,F ,H,Q, R,V-Z ,AB-A D,AF AH,AK ,AM,A P,AR, AT,AV ,AX AZ,BB ,BD,B H-BK, BP-BR CC-CM ,CY-D H,DK, DM,DP ,DR DT,DV ,DX,D Z,EB, ED,EF ,EH EK,EM ,EP,E R,ET, EV,EX ,EZ FD,FF ,FG,F H,FK, FM,FP ,FR	16

78-31-14

ILLUSTRATED PARTS LIST
 01.1 Page 1034A
 Jul 01/04

FIG. & ITEM	PART NO.	AIRLINE PART NUMBER	NOMENCLATURE 1234567	EFF CODE	QTY PER ASSY
02-				FT, FV ,FX, F Z, GB, GD, GF ,GH GK, GM ,GP, G R, GU, GV, GX ,GZ HB, HD ,JH-J L, J R-JU	

78-31-14

015T0438
 315T3001
 315T4726
 315T3055

 **BOEING**
 COMPONENT
 MAINTENANCE MANUAL

FIG. & ITEM	PART NO.	AIRLINE PART NUMBER	NOMENCLATURE	EFF CODE	QTY PER ASSY
02-50	BRH10C3M		1234567 ..NUT- (V52828) (SPEC BACN10JC3CM) (OPT T6C1032JM (V11815)) (OPT 97E02 (V80539)) (OPT 109LH9075-3W (V72962)) (OPT VN303D02 (V92215)) (OPT NS202101SE02 (V80539)) (OPT H01-3BAC (V15653))	A,C,E ,G, J-P, S-U,A A,AE, AG AJ,AL ,AN,A Q,AS, AU,AW ,AY BA,BC ,BE-B G,B L-BN, BS-CB CN-CX ,DJ,D L,DN, DQ,DS ,DU DW,DY ,EA, EC,EE ,EG,E J,EL EN,EQ ,ES,E U,EW, EY,F A-FC FE,FJ ,FL,F N,FQ,	16

78-31-14

ILLUSTRATED PARTS LIST
 01.1 Page 1034C
 Jul 01/04

FIG. & ITEM	PART NO.	AIRLINE PART NUMBER	NOMENCLATURE 1234567	EFF CODE	QTY PER ASSY
02-				FS, FU ,FW FY, GA ,GC, GE, GG ,GJ, G L, GN GQ, GS ,GT, G W, GY, HA, HC JD-JG ,JM-J Q	

78-31-14

015T0438
 315T3001
 315T4726
 315T3055

 **BOEING**
 COMPONENT
 MAINTENANCE MANUAL

FIG. & ITEM	PART NO.	AIRLINE PART NUMBER	NOMENCLATURE 1234567	EFF CODE	QTY PER ASSY
02-55	BRH10C3M		..NUT- (V52828) (SPEC BACN10JC3CM) (OPT T6C1032JM (V11815)) (OPT 97E02 (V80539)) (OPT 109LH9075-3W (V72962)) (OPT VN303D02 (V92215)) (OPT NS202101SE02 (V80539)) (OPT H01-3BAC (V15653))	B,D,F ,H,Q, R,V-Z ,AB-A D,AF AH,AK ,AM,A P,AR, AT,AV ,AX AZ,BB ,BD,B H-BK, BP-BR CC-CM ,CY-D H,DK, DM,DP ,DR DT,DV ,DX,D Z,EB, ED,EF ,EH EK,EM ,EP,E R,ET, EV,EX ,EZ FD,FF ,FG,F H,FK, FM,FP ,FR	14

78-31-14

ILLUSTRATED PARTS LIST
 01.1 Page 1034E
 Jul 01/04

FIG. & ITEM	PART NO.	AIRLINE PART NUMBER	NOMENCLATURE	EFF CODE	QTY PER ASSY
02-			1234567		
				FT, FV , FX, F Z, GB, GD, GF , GH GK, GM , GP, G R, GU, GV, GX , GZ HB, HD , JH-J L, J R-JU	
60	315T3635-8		..CHANNEL		4
65	315T3635-7		..FAIRLEAD		4
70	BACS40R6F44F		..SHIM		AR
75	315T3635-4		..CHANNEL	A, C, E , G,	7

78-31-14

 ILLUSTRATED PARTS LIST
 01.1 Page 1034F
 Jul 01/04

015T0438
 315T3001
 315T4726
 315T3055

 **BOEING**
 COMPONENT
 MAINTENANCE MANUAL

FIG. & ITEM	PART NO.	AIRLINE PART NUMBER	NOMENCLATURE 1234567	EFF CODE	QTY PER ASSY
02-				S-U,A A,AE, AG AJ,AL ,AN,A Q,AS, AU,AW ,AY BA,BC ,BE-B G,B L-BN, BS-CB CN-CX ,DJ,D L,DN, DQ,DS ,DU DW,DY ,EA, EC,EE ,EG,E J,EL EN,EQ ,ES,E U,EW, EY,F A-FC FE,FJ ,FL,F N,FQ, FS,FU ,FW FY,GA ,GC, GE,GG ,GJ,G L,GN GQ,GS ,GT,G W,GY, HA,HC JD-JG ,JM-J Q	

78-31-14

ILLUSTRATED PARTS LIST
 01.1 Page 1034G
 Jul 01/04

FIG. & ITEM	PART NO.	AIRLINE PART NUMBER	NOMENCLATURE	EFF CODE	QTY PER ASSY
02-80	315T3635-17		1234567 ..CHANNEL- (USED ON ITEM 10C)	A,C,E ,G, J-P, S-U,A A,AE, AG AJ,AL ,AN,A Q,AS, AU,AW ,AY BA,BC ,BE-B G,B L-BN, BS-CB CN-CX ,DJ,D L,DN, DQ,DS ,DU DW,DY ,EA, EC,EE ,EG,E J,EL EN,EQ ,ES,E U,EW, EY,F A-FC FE,FJ ,FL,F N,FQ,	1

78-31-14

 ILLUSTRATED PARTS LIST
 01.1 Page 1034H
 Jul 01/04

015T0438
 315T3001
 315T4726
 315T3055

 **BOEING**
 COMPONENT
 MAINTENANCE MANUAL

FIG. & ITEM	PART NO.	AIRLINE PART NUMBER	NOMENCLATURE 1234567	EFF CODE	QTY PER ASSY
02-				FS, FU ,FW FY, GA ,GC, GE, GG ,GJ, G L, GN GQ, GS ,GT, G W, GY, HA, HC JD- JG ,JM- J Q	

78-31-14

ILLUSTRATED PARTS LIST
 01.1 Page 1034I
 Jul 01/04

FIG. & ITEM	PART NO.	AIRLINE PART NUMBER	NOMENCLATURE	EFF CODE	QTY PER ASSY
02-80A	315T3635-20		1234567 ..CHANNEL- (USED ON ITEMS 10, 10A, 10B, 10D, 10J, 10K)	A,C,E ,G, J-P, S-U,A A,AE, AG AJ,AL ,AN,A Q,AS, AU,AW ,AY BA,BC ,BE-B G,B L-BN, BS-CB CN-CX ,DJ,D L,DN, DQ,DS ,DU DW,DY ,EA, EC,EE ,EG,E J,EL EN,EQ ,ES,E U,EW, EY,F A-FC FE,FJ ,FL,F N,FQ,	1

78-31-14

015T0438
 315T3001
 315T4726
 315T3055

 **BOEING**
 COMPONENT
 MAINTENANCE MANUAL

FIG. & ITEM	PART NO.	AIRLINE PART NUMBER	NOMENCLATURE 1234567	EFF CODE	QTY PER ASSY
02-				FS, FU ,FW FY, GA ,GC, GE, GG ,GJ, G L, GN GQ, GS ,GT, G W, GY, HA, HC JD- JG ,JM- J Q	

78-31-14

ILLUSTRATED PARTS LIST
 01.1 Page 1034K
 Jul 01/04

FIG. & ITEM	PART NO.	AIRLINE PART NUMBER	NOMENCLATURE	EFF CODE	QTY PER ASSY
02-85	315T3635-4		1234567 ..CHANNEL	B,D,F ,H,Q, R,V-Z ,AB-A D,AF AH,AK ,AM,A P,AR, AT,AV ,AX AZ,BB ,BD,B H-BK, BP-BR CC-CM ,CY-D H,DK, DM,DP ,DR DT,DV ,DX,D Z,EB, ED,EF ,EH EK,EM ,EP,E R,ET, EV,EX ,EZ FD,FF ,FG,F H,FK, FM,FP ,FR	5

78-31-14

ILLUSTRATED PARTS LIST
 01.1 Page 1034L
 Jul 01/04

015T0438
 315T3001
 315T4726
 315T3055

 **BOEING**
 COMPONENT
 MAINTENANCE MANUAL

FIG. & ITEM	PART NO.	AIRLINE PART NUMBER	NOMENCLATURE 1234567	EFF CODE	QTY PER ASSY
02-				FT, FV ,FX, F Z, GB, GD, GF ,GH GK, GM ,GP, G R, GU, GV, GX ,GZ HB, HD ,JH-J L, J R-JU	

78-31-14

ILLUSTRATED PARTS LIST
 01.1 Page 1034M
 Jul 01/04

FIG. & ITEM	PART NO.	AIRLINE PART NUMBER	NOMENCLATURE	EFF CODE	QTY PER ASSY
02-90	315T3635-17		1234567 ..CHANNEL- (USED ON ITEM 15C)	B,D,F ,H,Q, R,V-Z ,AB-A D,AF AH,AK ,AM,A P,AR, AT,AV ,AX AZ,BB ,BD,B H-BK, BP-BR CC-CM ,CY-D H,DK, DM,DP ,DR DT,DV ,DX,D Z,EB, ED,EF ,EH EK,EM ,EP,E R,ET, EV,EX ,EZ FD,FF ,FG,F H,FK, FM,FP ,FR	1

78-31-14

ILLUSTRATED PARTS LIST
 01.1 Page 1034N
 Jul 01/04

015T0438
 315T3001
 315T4726
 315T3055

 **BOEING**
 COMPONENT
 MAINTENANCE MANUAL

FIG. & ITEM	PART NO.	AIRLINE PART NUMBER	NOMENCLATURE 1234567	EFF CODE	QTY PER ASSY
02-				FT, FV ,FX, F Z, GB, GD, GF ,GH GK, GM ,GP, G R, GU, GV, GX ,GZ HB, HD ,JH-J L, J R-JU	

78-31-14

ILLUSTRATED PARTS LIST
 01.1 Page 10340
 Jul 01/04

FIG. & ITEM	PART NO.	AIRLINE PART NUMBER	NOMENCLATURE	EFF CODE	QTY PER ASSY
02-90A	315T3635-20		1234567 ..CHANNEL- (USED ON ITEMS 15, 15A, 15B, 15D, 15E, 15F)	B,D,F ,H,Q, R,V-Z ,AB-A D,AF AH,AK ,AM,A P,AR, AT,AV ,AX AZ,BB ,BD,B H-BK, BP-BR CC-CM ,CY-D H,DK, DM,DP ,DR DT,DV ,DX,D Z,EB, ED,EF ,EH EK,EM ,EP,E R,ET, EV,EX ,EZ FD,FF ,FG,F H,FK, FM,FP ,FR	1

78-31-14

ILLUSTRATED PARTS LIST
 01.1 Page 1034P
 Jul 01/04

015T0438
 315T3001
 315T4726
 315T3055

 **BOEING**
 COMPONENT
 MAINTENANCE MANUAL

FIG. & ITEM	PART NO.	AIRLINE PART NUMBER	NOMENCLATURE 1234567	EFF CODE	QTY PER ASSY
02-				FT,FV ,FX,F Z,GB, GD,GF ,GH GK,GM ,GP,G R,GU, GV,GX ,GZ HB,HD ,JH-J L,J R-JU	

78-31-14

ILLUSTRATED PARTS LIST
 01.1 Page 1034Q
 Jul 01/04

FIG. & ITEM	PART NO.	AIRLINE PART NUMBER	NOMENCLATURE	EFF CODE	QTY PER ASSY
02-95	315T3635-3		1234567 ..FAIRLEAD	A,C,E ,G, J-P, S-U,A A,AE, AG AJ,AL ,AN,A Q,AS, AU,AW ,AY BA,BC ,BE-B G,B L-BN, BS-CB CN-CX ,DJ,D L,DN, DQ,DS ,DU DW,DY ,EA, EC,EE ,EG,E J,EL EN,EQ ,ES,E U,EW, EY,F A-FC FE,FJ ,FL,F N,FQ,	8

78-31-14

ILLUSTRATED PARTS LIST
 01.1 Page 1034R
 Jul 01/04

015T0438
 315T3001
 315T4726
 315T3055

 **BOEING**
 COMPONENT
 MAINTENANCE MANUAL

FIG. & ITEM	PART NO.	AIRLINE PART NUMBER	NOMENCLATURE 1234567	EFF CODE	QTY PER ASSY
02-				FS, FU ,FW FY, GA ,GC, GE, GG ,GJ, G L, GN GQ, GS ,GT, G W, GY, HA, HC JD-JG ,JM-J Q	

78-31-14

ILLUSTRATED PARTS LIST
 01.1 Page 1034S
 Jul 01/04

FIG. & ITEM	PART NO.	AIRLINE PART NUMBER	NOMENCLATURE	EFF CODE	QTY PER ASSY
02-100	BACS40R6F22F		1234567 ..SHIM	A,C,E ,G, J-P, S-U,A A,AE, AG AJ,AL ,AN,A Q,AS, AU,AW ,AY BA,BC ,BE-B G,B L-BN, BS-CB CN-CX ,DJ,D L,DN, DQ,DS ,DU DW,DY ,EA, EC,EE ,EG,E J,EL EN,EQ ,ES,E U,EW, EY,F A-FC FE,FJ ,FL,F N,FQ,	AR

78-31-14

 ILLUSTRATED PARTS LIST
 01.1 Page 1034T
 Jul 01/04

015T0438
 315T3001
 315T4726
 315T3055

 **BOEING**
 COMPONENT
 MAINTENANCE MANUAL

FIG. & ITEM	PART NO.	AIRLINE PART NUMBER	NOMENCLATURE 1234567	EFF CODE	QTY PER ASSY
02-				FS, FU ,FW FY, GA ,GC, GE, GG ,GJ, G L, GN GQ, GS ,GT, G W, GY, HA, HC JD- JG ,JM- J Q	

78-31-14

ILLUSTRATED PARTS LIST
 01.1 Page 1034U
 Jul 01/04

FIG. & ITEM	PART NO.	AIRLINE PART NUMBER	NOMENCLATURE	EFF CODE	QTY PER ASSY
02-105	315T3635-3		1234567 ..FAIRLEAD	B,D,F ,H,Q, R,V-Z ,AB-A D,AF AH,AK ,AM,A P,AR, AT,AV ,AX AZ,BB ,BD,B H-BK, BP-BR CC-CM ,CY-D H,DK, DM,DP ,DR DT,DV ,DX,D Z,EB, ED,EF ,EH EK,EM ,EP,E R,ET, EV,EX ,EZ FD,FF ,FG,F H,FK, FM,FP ,FR	6

78-31-14

ILLUSTRATED PARTS LIST
 01.1 Page 1034V
 Jul 01/04

015T0438
 315T3001
 315T4726
 315T3055

 **BOEING**
 COMPONENT
 MAINTENANCE MANUAL

FIG. & ITEM	PART NO.	AIRLINE PART NUMBER	NOMENCLATURE 1234567	EFF CODE	QTY PER ASSY
02-				FT, FV ,FX, F Z, GB, GD, GF ,GH GK, GM ,GP, G R, GU, GV, GX ,GZ HB, HD ,JH-J L, J R-JU	

78-31-14

ILLUSTRATED PARTS LIST
 01.1 Page 1034W
 Jul 01/04

FIG. & ITEM	PART NO.	AIRLINE PART NUMBER	NOMENCLATURE	EFF CODE	QTY PER ASSY
02-110	BACS40R6F22F		1234567 ..SHIM	B,D,F ,H,Q, R,V-Z ,AB-A D,AF AH,AK ,AM,A P,AR, AT,AV ,AX AZ,BB ,BD,B H-BK, BP-BR CC-CM ,CY-D H,DK, DM,DP ,DR DT,DV ,DX,D Z,EB, ED,EF ,EH EK,EM ,EP,E R,ET, EV,EX ,EZ FD,FF ,FG,F H,FK, FM,FP ,FR	AR

78-31-14

ILLUSTRATED PARTS LIST
 01.1 Page 1034X
 Jul 01/04

015T0438
 315T3001
 315T4726
 315T3055

 **BOEING**
 COMPONENT
 MAINTENANCE MANUAL

FIG. & ITEM	PART NO.	AIRLINE PART NUMBER	NOMENCLATURE	EFF CODE	QTY PER ASSY
02-			1234567		
				FT, FV ,FX, F Z, GB, GD, GF ,GH GK, GM ,GP, G R, GU, GV, GX ,GZ HB, HD ,JH-J L, J R-JU	
115	315T3635-6		..CHANNEL		4
120	315T3635-5		..FAIRLEAD		4
125	BACS40R6F24F		..SHIM		AR
130	315T3635-2		..CHANNEL		2
135	315T3635-9		..FAIRLEAD		2

78-31-14

ILLUSTRATED PARTS LIST
 01.1 Page 1034Y
 Jul 01/04

FIG. & ITEM	PART NO.	AIRLINE PART NUMBER	NOMENCLATURE	EFF CODE	QTY PER ASSY
02- 140 145	BACS40R6F34F 315T3602-3		1234567 ..SHIM ..TUBE ASSY- (MFD FROM TUBING CRES 21-6-9 BMS7-185 F-25.01 0.375 IN. OD 0.020 IN. WALL 66.0 IN. LG)	A,C,E ,G, J-P, S-U,A A,AE, AG AJ,AL ,AN,A Q,AS, AU,AW ,AY BA,BC ,BE-B G,B L-BN, BS-CB CN-CX ,DJ,D L,DN, DQ,DS ,DU DW,DY ,EA, EC,EE ,EG,E J,EL EN,EQ ,ES,E U,EW, EY,F A-FC FE,FJ ,FL,F N,FQ,	AR 1

78-31-14

015T0438
 315T3001
 315T4726
 315T3055

 **BOEING**
 COMPONENT
 MAINTENANCE MANUAL

FIG. & ITEM	PART NO.	AIRLINE PART NUMBER	NOMENCLATURE 1234567	EFF CODE	QTY PER ASSY
02-				FS, FU ,FW FY, GA ,GC, GE, GG ,GJ, G L, GN GQ, GS ,GT, G W, GY, HA, HC JD-JG ,JM-J Q	

78-31-14

ILLUSTRATED PARTS LIST

01.1

Page 1035

Jul 01/04

FIG. & ITEM	PART NO.	AIRLINE PART NUMBER	NOMENCLATURE	EFF CODE	QTY PER ASSY
02-150	315T3602-11		1234567 ..TUBE ASSY- (MFD FROM TUBING CRES 21-6-9 BMS7-185 F-25.01 0.375 IN. OD 0.020 IN. WALL 66.0 IN. LG) (PRE SB 767-78-0068)	B,D,F ,H,Q, R,V-Z ,AB-A D,AF AH,AK ,AM,A P,AR, AT,AV ,AX AZ,BB ,BD,B H-BK, BP-BR CC-CM ,CY-D H,DK, DM,DP ,DR DT,DV ,DX,D Z,EB, ED,EF ,EH EK,EM ,EP,E R,ET, EV,EX ,EZ FD,FF ,FG,F H,FK, FM,FP ,FR	1

78-31-14

 ILLUSTRATED PARTS LIST
 01.1 Page 1036
 Jul 01/04

015T0438
 315T3001
 315T4726
 315T3055

 **BOEING**
 COMPONENT
 MAINTENANCE MANUAL

FIG. & ITEM	PART NO.	AIRLINE PART NUMBER	NOMENCLATURE 1234567	EFF CODE	QTY PER ASSY
02-				FT,FV ,FX,F Z,GB, GD,GF ,GH GK,GM ,GP,G R,GU, GV,GX ,GZ HB,HD ,JH-J L,J R-JU	

78-31-14

ILLUSTRATED PARTS LIST
 01.1 Page 1036A
 Jul 01/04

FIG. & ITEM	PART NO.	AIRLINE PART NUMBER	NOMENCLATURE	EFF CODE	QTY PER ASSY
02-155	315T3602-9		1234567 ..TUBE ASSY- (MFD FROM TUBING CRES 21-6-9 BMS7-185 F-25.01 0.375 IN. OD 0.020 IN. WALL 72.0 IN. LG) (PRE SB 767-78-0068)	A,C,E ,G, J-P, S-U,A A,AE, AG AJ,AL ,AN,A Q,AS, AU,AW ,AY BA,BC ,BE-B G,B L-BN, BS-CB CN-CX ,DJ,D L,DN, DQ,DS ,DU DW,DY ,EA, EC,EE ,EG,E J,EL EN,EQ ,ES,E U,EW, EY,F A-FC FE,FJ ,FL,F N,FQ,	1

78-31-14

015T0438
 315T3001
 315T4726
 315T3055

 **BOEING**
 COMPONENT
 MAINTENANCE MANUAL

FIG. & ITEM	PART NO.	AIRLINE PART NUMBER	NOMENCLATURE 1234567	EFF CODE	QTY PER ASSY
02-				FS, FU ,FW FY, GA ,GC, GE, GG ,GJ, G L, GN GQ, GS ,GT, G W, GY, HA, HC JD- JG ,JM- J Q	

78-31-14

ILLUSTRATED PARTS LIST
 01.1 Page 1036C
 Jul 01/04

FIG. & ITEM	PART NO.	AIRLINE PART NUMBER	NOMENCLATURE 1234567	EFF CODE	QTY PER ASSY
02-160	315T3602-4		..TUBE ASSY- (MFD FROM TUBING CRES 21-6-9 BMS7-185 F-25.01 0.375 IN. OD 0.020 IN. WALL 66.0 IN. LG)	B,D,F ,H,Q, R,V-Z ,AB-A D,AF AH,AK ,AM,A P,AR, AT,AV ,AX AZ,BB ,BD,B H-BK, BP-BR CC-CM ,CY-D H,DK, DM,DP ,DR DT,DV ,DX,D Z,EB, ED,EF ,EH EK,EM ,EP,E R,ET, EV,EX ,EZ FD,FF ,FG,F H,FK, FM,FP ,FR FT,FV ,FX,F Z,GB,	1

78-31-14

ILLUSTRATED PARTS LIST
 01.1 Page 1036D
 Jul 01/04

015T0438
 315T3001
 315T4726
 315T3055

 **BOEING**
 COMPONENT
 MAINTENANCE MANUAL

FIG. & ITEM	PART NO.	AIRLINE PART NUMBER	NOMENCLATURE 1234567	EFF CODE	QTY PER ASSY
02-				GD,GF ,GH GK,GM ,GP,G R,GU, GV,GX ,GZ HB,HD ,JH-J L,J R-JU	
165	315T3602-7		..TUBE ASSY- (MFD FROM TUBING CRES 21-6-9 BMS7-185 F-25.01 0.375 IN. OD 0.020 IN. WALL 66.0 IN. LG)		1
-168	DB0S13BX06H		...SLEEVE- (V14798) (SPEC BACS13BX06H) (OPT 2-02903-06H (V11328)) (OPT 35235V06 (V08199)) (OPT AP2097-06H (V01673)) (OPT AFP175V06 (V30974))		2
-169	BACN10CS06J		...NUT		2
170	BACE21AU0606		..ELBOW		1
175	4242200-1		..SHAFT-FLEX (V93835) (SPEC S315T360-5)		2

78-31-14

ILLUSTRATED PARTS LIST
 01.1 Page 1036E
 Jul 01/04

FIG. & ITEM	PART NO.	AIRLINE PART NUMBER	NOMENCLATURE 1234567	EFF CODE	QTY PER ASSY
02-180	4242100-11		..TUBING-ROTARY FLEX (V93835) (SPEC S315T360-35)		2
185	AFP238-0806J		..UNION- (V30974) (SPEC BACU24AA0806J) (OPT ER832-0806J (V50948)) (OPT LER832-0806J (V11328)) (OPT 2-010890806J (V11328)) (OPT APX832-0806J (V01673)) (OPT DBOU24AA0806J (V61498)) (OPT FER1579-0806J (V14397)) (OPT US2113-0806J (V50808)) (OPT APX832J0806 (V01673))		1
190	AN960PD1216		..WASHER		2
195	AN924-8J		..NUT		1
200	AS152G0151DDN		..HOSE ASSY- (V00624) (SPEC BACH6P0151DDN) (OPT B464DDD0181CN (V03925)) (OPT R8963P0181DDN (V06851)) (OPT 96854P0181CCN (V78570)) (OPT AS119G0151DDN (V00624)) (OPT R8947P0151DDN (V06851)) (OPT R8947P0151DDN (V50599)) (OPT R8963P0151DDN (V06851))		1

78-31-14

 ILLUSTRATED PARTS LIST
 01.1 Page 1036F
 Jul 01/04

015T0438
 315T3001
 315T4726
 315T3055

 **BOEING**
 COMPONENT
 MAINTENANCE MANUAL

FIG. & ITEM	PART NO.	AIRLINE PART NUMBER	NOMENCLATURE 1234567	EFF CODE	QTY PER ASSY
02-205	AS152G0181CCN		..HOSE ASSY- (V00624) (SPEC BACH6P0181CCN) (OPT B464DDD0181CN (V03925)) (OPT R8963P0181CCN (V06851)) (OPT 96854P0181CCN (V78570)) (OPT AS119G0181CCN (V00624)) (OPT R8947P0181CCN (V06851)) (OPT R8947P0181CCN (V50599)) (OPT R8963P0181CCN (V06851))		1
210	AP1008-06J		..CAP ASSY- (V01673) (SPEC BACC14AD06J) (OPT DBOC14AD06J (V14798)) (OPT FER22661-06J (V14397)) (OPT 2-02813-06J (V11328)) (OPT 4690009-06J (V50948)) (OPT AFP241-06J (V30974)) (OPT US2103-06J (V50808))		1

78-31-14

ILLUSTRATED PARTS LIST
 01.1 Page 1036G
 Jul 01/04

FIG. & ITEM	PART NO.	AIRLINE PART NUMBER	NOMENCLATURE	EFF CODE	QTY PER ASSY
02-215	AP1008-12J		1234567 ..CAP ASSY- (V01673) (SPEC BACC14AD12J) (OPT DBOC14AD12J (V14798)) (OPT FER22661-12J (V14397)) (OPT 2-02813-12J (V11328)) (OPT 4690009-12J (V50948)) (OPT AFP241-12J (V30974)) (OPT US2103-12J (V50808))		1
R 216	MBC5825275LM		..CLAMP- (V98625) (SPEC BACC10BN275LM) (OPT 3078C275LM (V94581)) (OPT 1044275LM (V94581)) (OPT BC1080S275LZ (V14242)) (OPT MBC5825275LM (V00624)) (OPT 19396N275LM (V00624)) (POST SB 767-78-0061)		1

78-31-14

 ILLUSTRATED PARTS LIST
 01.1 Page 1036H
 Jul 01/04

015T0438
 315T3001
 315T4726
 315T3055

 **BOEING**
 COMPONENT
 MAINTENANCE MANUAL

FIG. & ITEM	PART NO.	AIRLINE PART NUMBER	NOMENCLATURE 1234567	EFF CODE	QTY PER ASSY
R 02-217	315T4717-1		..GASKET- (POST SB 767-78-0061)		1
R 218	NAS6703U1		..BOLT- (POST SB 767-78-0061)		2
R 219	BACW10BP3ACU		..WASHER- (POST SB 767-78-0061)		2
220	4242300-1		..ADAPTER-MANUAL (V93835) (SPEC S315T360-7) (PRE SB 767-78-0061)		1
R -220A 221	TY1878-21 315T4716-1		DELETED ..BRACKET- (POST SB 767-78-0061)		1
R 222	TY1878-21		..LOCK ASSY-MANUAL (VK0377) (SPEC S315N370-2) (POST SB 767-78-0061)		1
225	315T3631-7		..FITTING ASSY-ACTR RTNR (USED ON ITEMS 10, 10A, 10B, 10C, 15, 15A, 15B, 15C) (PRE SB 767-78-0068)		6
-225A	315T3631-7		DELETED		
-225B	315T3631-11		DELETED		
-225C	315T3631-1		DELETED		
-225D	315T4246-9		..FITTING ASSY-ATTACH (REWORK) (SELECT FROM) (POST SB 767-78-0068)		6
-225E	315T4246-11		..FITTING ASSY-ATTACH (REWORK) (SELECT FROM) (POST SB 767-78-0068)		6

78-31-14

ILLUSTRATED PARTS LIST
 01.1 Page 1036I
 Jul 01/04

FIG. & ITEM	PART NO.	AIRLINE PART NUMBER	NOMENCLATURE 1234567	EFF CODE	QTY PER ASSY
02- -226	315T3631-7		..FITTING ASSY-ACTR RTNR (USED ON ITEMS 10D, 10J, 10K, 15D, 15E, 15F) (PRE SB 767-78-0068)		5
-227	315T3631-11		..FITTING ASSY-ACTR RTNR (USED ON ITEMS 10D, 10J, 10K, 15D, 15E, 15F) (PRE SB 767-78-0068)		1
230	NAS6704-2		..BOLT -----*		6
235	315T3631-3		...PIN		1
240	315T3631-8		...PLATE- (USED ON ITEM 225)		1
-240A	315T3631-2		DELETED		
240B	315T3631-8		...PLATE- (USED ON ITEM 226)		1
-240C	315T3631-11		DELETED		
-240D	315T3631-12		...PLATE- (USED ON ITEM 227)		1
245	315T3633-26		..SHIM		6
250	2190000-13		..ACTUATOR-NON-LOCKING (V93835) (SPEC S315T360-29) (OPT ITEM 250A) (USED ON ITEMS 10, 10A, 10B, 10C, 10D, 10E, 15, 15A, 15B, 15C, 15D) (PRE SB 767-78-0068)		2
-250A	2190000-15		..ACTUATOR-NON-LOCKING (V93835) (SPEC S315T360-31) (OPT ITEM 250) (USED ON ITEMS 10, 10A, 10B, 10C, 10D, 15, 15A, 15B, 15C, 15D) (PRE SB 767-78-0068)		2

78-31-14

 ILLUSTRATED PARTS LIST
 01.1 Page 1036J
 Jul 01/04

015T0438
 315T3001
 315T4726
 315T3055

 **BOEING**
 COMPONENT
 MAINTENANCE MANUAL

FIG. & ITEM	PART NO.	AIRLINE PART NUMBER	NOMENCLATURE 1234567	EFF CODE	QTY PER ASSY
02- -250B -250C	S315T360-39 2190000-21		DELETED ..ACTUATOR-NON-LOCKING (V93835) (S315T360-39) (USED ON ITEMS 10J, 10K, 15E, 15F) (PRE SB 767-78-0068)		2
-250D	S315T360-47		..ACTUATOR- (OPT ITEM 250E) (POST SB 767-78-0068)		2
-250E	S315T360-51		..ACTUATOR- (OPT ITEM 250D) (POST SB 767-78-0068)		2
255	2190000-18		..ACTUATOR-LOCKING (V93835) (SPEC S315T360-28) (2190000-22 TOGETHER WITH 315T3721-9 I/W 2190000-18 OR -20 TOGETHER WITH 315T3721-1 FOR P & W ENGINE ONLY) (OPT ITEM 255A) (USED ON ITEMS 10, 10B, 10C, 15, 15B, 15C)		1
-255A	2190000-20		..ACTUATOR-LOCKING (V93835) (SPEC S315T360-30) (2190000-22 TOGETHER WITH 315T3721-9 I/W 2190000-18 OR -20 TOGETHER WITH 315T3721-1 FOR P & W ENGINE ONLY) (OPT ITEM 255) (USED ON ITEMS 10, 10B, 10C, 15, 15B, 15C)		1

78-31-14

ILLUSTRATED PARTS LIST
 01.1 Page 1036K
 Jul 01/04

FIG. & ITEM	PART NO.	AIRLINE PART NUMBER	NOMENCLATURE 1234567	EFF CODE	QTY PER ASSY
02- -255B	2190000-20		..ACTUATOR-LOCKING (V93835) (SPEC S315T360-30) (2190000-22 TOGETHER WITH 315T3721-9 I/W 2190000-18 OR -20 TOGETHER WITH 315T3721-1 FOR P & W ENGINE ONLY) (OPT ITEM 255C) (USED ON ITEMS 10A, 10D, 15A, 15D)		1
-255C	2190000-22		..ACTUATOR-LOCKING *(2) (V93835) (SPEC S315T360-34) (2190000-24 T/W 315T3721-1 I/W 2190000-22 T/W 315T3721-9 FOR PW ENGINE ONLY) (OPT ITEM 255B) (2190000-22 TOGETHER WITH 315T3721-9 I/W 2190000-18 OR -20 TOGETHER WITH 315T3721-1 FOR P & W ENGINE ONLY) (USED ON ITEMS 10A, 10D, 15A, 15D)		1
-255D	S315T360-40		DELETED		
-255E	2190000-24		..ACTUATOR-LOCKING (V93835) (SPEC S315T360-40) (2190000-24 T/W 315T3721-1 I/W 2190000-22 T/W 315T3721-9 FOR PW ENGINE ONLY) (USED ON ITEMS 10J, 15E) (FOR SPARES PROCURE 2190000-42)		1

78-31-14

 ILLUSTRATED PARTS LIST
 01.1 Page 1036L
 Jul 01/04

015T0438
 315T3001
 315T4726
 315T3055

 **BOEING**
 COMPONENT
 MAINTENANCE MANUAL

FIG. & ITEM	PART NO.	AIRLINE PART NUMBER	NOMENCLATURE 1234567	EFF CODE	QTY PER ASSY
02-					
-255F	S315T360-43		DELETED		
-255G	2190000-32		..ACTUATOR-LOCKING (V93835) (USED ON ITEMS 10K, 15F)		1
260	MS24665-153		..PIN-COTTER		3
265	NAS6705D18		..BOLT		3
270	AN960-516		..WASHER		6
275	BACB28AK05-038		..BUSHING-		3
-275A	NAS74A5E006P		DELETED		
-275B	315T3636-1		DELETED		
-275C	315T3636-1		DELETED		
280	BACN10JD105		..NUT		3
285	BACT11SH18F		..TAPE		4

78-31-14

ILLUSTRATED PARTS LIST
 01.1 Page 1036M
 Jul 01/04

FIG. & ITEM	PART NO.	AIRLINE PART NUMBER	NOMENCLATURE	EFF CODE	QTY PER ASSY
02-290	315T4726-7		1234567 ..TUBE ASSY- (POST SB 767-78-0068)	A,C,E ,G, J-P, S-U,A A,AE, AG AJ,AL ,AN,A Q,AS, AU,AW ,AY BA,BC ,BE-B G,B L-BN, BS-CB CN-CX ,DJ,D L,DN, DQ,DS ,DU DW,DY ,EA, EC,EE ,EG,E J,EL EN,EQ ,ES,E U,EW, EY,F A-FC FE,FJ ,FL,F N,FQ,	1

78-31-14

015T0438
 315T3001
 315T4726
 315T3055

 **BOEING**
 COMPONENT
 MAINTENANCE MANUAL

FIG. & ITEM	PART NO.	AIRLINE PART NUMBER	NOMENCLATURE 1234567	EFF CODE	QTY PER ASSY
02-				FS, FU ,FW FY, GA ,GC, GE, GG ,GJ, G L, GN GQ, GS ,GT, G W, GY, HA, HC JD- JG ,JM- J Q	

78-31-14

ILLUSTRATED PARTS LIST
 01.1 Page 10360
 Jul 01/04

FIG. & ITEM	PART NO.	AIRLINE PART NUMBER	NOMENCLATURE	EFF CODE	QTY PER ASSY
02-295	DB0S13BX06H		1234567 ...SLEEVE- (V14798) (SPEC BACS13BX06H) (OPT 2-02903-06H (V11328)) (OPT 35235V06 (V08199)) (OPT AP2097-06H (V01673)) (OPT AFP175V06 (V30974))	A,C,E ,G, J-P, S-U,A A,AE, AG AJ,AL ,AN,A Q,AS, AU,AW ,AY BA,BC ,BE-B G,B L-BN, BS-CB CN-CX ,DJ,D L,DN, DQ,DS ,DU DW,DY ,EA, EC,EE ,EG,E J,EL EN,EQ ,ES,E U,EW, EY,F A-FC FE,FJ ,FL,F N,FQ,	1

78-31-14

 ILLUSTRATED PARTS LIST
 01.1 Page 1036P
 Jul 01/04

015T0438
 315T3001
 315T4726
 315T3055

 **BOEING**
 COMPONENT
 MAINTENANCE MANUAL

FIG. & ITEM	PART NO.	AIRLINE PART NUMBER	NOMENCLATURE 1234567	EFF CODE	QTY PER ASSY
02-				FS, FU ,FW FY, GA ,GC, GE, GG ,GJ, G L, GN GQ, GS ,GT, G W, GY, HA, HC JD- JG ,JM- J Q	

78-31-14

ILLUSTRATED PARTS LIST
 01.1 Page 1036Q
 Jul 01/04

FIG. & ITEM	PART NO.	AIRLINE PART NUMBER	NOMENCLATURE	EFF CODE	QTY PER ASSY
02-300	DBOU24AB6H		1234567 ...UNION- (V14798) (SPEC BACU24AB6H) (OPT 2-01027-6H (V11328)) (OPT 31875-6H (V14397)) (OPT 4671097H6 (V50948)) (OPT 35056V06 (V08199)) (OPT AP1004H06 (V01673)) (OPT AFP941H6 (V30974))	A,C,E ,G, J-P, S-U,A A,AE, AG AJ,AL ,AN,A Q,AS, AU,AW ,AY BA,BC ,BE-B G,B L-BN, BS-CB CN-CX ,DJ,D L,DN, DQ,DS ,DU DW,DY ,EA, EC,EE ,EG,E J,EL EN,EQ ,ES,E U,EW, EY,F A-FC FE,FJ ,FL,F N,FQ,	1

78-31-14

 ILLUSTRATED PARTS LIST
 01.1 Page 1036R
 Jul 01/04

015T0438
 315T3001
 315T4726
 315T3055

 **BOEING**
 COMPONENT
 MAINTENANCE MANUAL

FIG. & ITEM	PART NO.	AIRLINE PART NUMBER	NOMENCLATURE 1234567	EFF CODE	QTY PER ASSY
02-				FS, FU ,FW FY, GA ,GC, GE, GG ,GJ, G L, GN GQ, GS ,GT, G W, GY, HA, HC JD- JG ,JM- J Q	

78-31-14

ILLUSTRATED PARTS LIST
 01.1 Page 1036S
 Jul 01/04

FIG. & ITEM	PART NO.	AIRLINE PART NUMBER	NOMENCLATURE	EFF CODE	QTY PER ASSY
02-305	AFP107-6		1234567 ...NUT- (V30974) (SPEC BACN10NR6) (OPT AP1028T6 (V01673)) (OPT BC921T6 (V50948)) (OPT DBON10NR6 (V14798)) (OPT ER01921-6T (V88334)) (OPT FER8928-6 (V14397)) (OPT F11-6 (V73197)) (OPT 2-03005T6 (V11328)) (OPT 31783-6 (V14397)) (OPT ITEM 305A)	A,C,E ,G, J-P, S-U,A A,AE, AG AJ,AL ,AN,A Q,AS, AU,AW ,AY BA,BC ,BE-B G,B L-BN, BS-CB CN-CX ,DJ,D L,DN, DQ,DS ,DU DW,DY ,EA, EC,EE ,EG,E J,EL EN,EQ ,ES,E U,EW, EY,F A-FC FE,FJ ,FL,F N,FQ,	1

78-31-14

015T0438
 315T3001
 315T4726
 315T3055

 **BOEING**
 COMPONENT
 MAINTENANCE MANUAL

FIG. & ITEM	PART NO.	AIRLINE PART NUMBER	NOMENCLATURE 1234567	EFF CODE	QTY PER ASSY
02-				FS, FU ,FW FY, GA ,GC, GE, GG ,GJ, G L, GN GQ, GS ,GT, G W, GY, HA, HC JD-JG ,JM-J Q	

78-31-14

ILLUSTRATED PARTS LIST
 01.1 Page 1036U
 Jul 01/04

FIG. & ITEM	PART NO.	AIRLINE PART NUMBER	NOMENCLATURE	EFF CODE	QTY PER ASSY
02- -305A	MS21921-6J		1234567 ...NUT- (OPT ITEM 305)	A,C,E ,G, J-P, S-U,A A,AE, AG AJ,AL ,AN,A Q,AS, AU,AW ,AY BA,BC ,BE-B G,B L-BN, BS-CB CN-CX ,DJ,D L,DN, DQ,DS ,DU DW,DY ,EA, EC,EE ,EG,E J,EL EN,EQ ,ES,E U,EW, EY,F A-FC FE,FJ ,FL,F N,FQ,	1

78-31-14

 ILLUSTRATED PARTS LIST
 01.1 Page 1036V
 Jul 01/04

015T0438
 315T3001
 315T4726
 315T3055

 **BOEING**
 COMPONENT
 MAINTENANCE MANUAL

FIG. & ITEM	PART NO.	AIRLINE PART NUMBER	NOMENCLATURE 1234567	EFF CODE	QTY PER ASSY
02-				FS, FU ,FW FY, GA ,GC, GE, GG ,GJ, G L, GN GQ, GS ,GT, G W, GY, HA, HC JD- JG ,JM- J Q	

78-31-14

ILLUSTRATED PARTS LIST
 01.1 Page 1036W
 Jul 01/04

FIG. & ITEM	PART NO.	AIRLINE PART NUMBER	NOMENCLATURE	EFF CODE	QTY PER ASSY
02-310	315T4726-11		1234567 ..TUBE ASSY- (POST SB 767-78-0068)	A,C,E ,G, J-P, S-U,A A,AE, AG AJ,AL ,AN,A Q,AS, AU,AW ,AY BA,BC ,BE-B G,B L-BN, BS-CB CN-CX ,DJ,D L,DN, DQ,DS ,DU DW,DY ,EA, EC,EE ,EG,E J,EL EN,EQ ,ES,E U,EW, EY,F A-FC FE,FJ ,FL,F N,FQ,	1

78-31-14

ILLUSTRATED PARTS LIST
 01.1 Page 1036X
 Jul 01/04

015T0438
 315T3001
 315T4726
 315T3055

 **BOEING**
 COMPONENT
 MAINTENANCE MANUAL

FIG. & ITEM	PART NO.	AIRLINE PART NUMBER	NOMENCLATURE 1234567	EFF CODE	QTY PER ASSY
02-				FS, FU ,FW FY, GA ,GC, GE, GG ,GJ, G L, GN GQ, GS ,GT, G W, GY, HA, HC JD- JG ,JM- J Q	

78-31-14

ILLUSTRATED PARTS LIST
 01.1 Page 1036Y
 Jul 01/04

FIG. & ITEM	PART NO.	AIRLINE PART NUMBER	NOMENCLATURE	EFF CODE	QTY PER ASSY
02-315	315T4726-9		1234567 ..TUBE ASSY- (POST SB 767-78-0068)	A,C,E ,G, J-P, S-U,A A,AE, AG AJ,AL ,AN,A Q,AS, AU,AW ,AY BA,BC ,BE-B G,B L-BN, BS-CB CN-CX ,DJ,D L,DN, DQ,DS ,DU DW,DY ,EA, EC,EE ,EG,E J,EL EN,EQ ,ES,E U,EW, EY,F A-FC FE,FJ ,FL,F N,FQ,	1

78-31-14

 ILLUSTRATED PARTS LIST
 01.1 Page 1036Z
 Jul 01/04

015T0438
 315T3001
 315T4726
 315T3055

 **BOEING**
 COMPONENT
 MAINTENANCE MANUAL

FIG. & ITEM	PART NO.	AIRLINE PART NUMBER	NOMENCLATURE 1234567	EFF CODE	QTY PER ASSY
02-				FS, FU ,FW FY, GA ,GC, GE, GG ,GJ, G L, GN GQ, GS ,GT, G W, GY, HA, HC JD- JG ,JM- J Q	

78-31-14

ILLUSTRATED PARTS LIST

01.1

Page 1037

Jul 01/04

FIG. & ITEM	PART NO.	AIRLINE PART NUMBER	NOMENCLATURE	EFF CODE	QTY PER ASSY
02-320	DB0S13BX06H		1234567 ...SLEEVE- (V14798) (SPEC BACS13BX06H) (OPT 2-02903-06H (V11328)) (OPT 35235V06 (V08199)) (OPT AP2097-06H (V01673)) (OPT AFP175V06 (V30974))	A,C,E ,G, J-P, S-U,A A,AE, AG AJ,AL ,AN,A Q,AS, AU,AW ,AY BA,BC ,BE-B G,B L-BN, BS-CB CN-CX ,DJ,D L,DN, DQ,DS ,DU DW,DY ,EA, EC,EE ,EG,E J,EL EN,EQ ,ES,E U,EW, EY,F A-FC FE,FJ ,FL,F N,FQ,	2

78-31-14

 ILLUSTRATED PARTS LIST
 01.1 Page 1038
 Jul 01/04

015T0438
 315T3001
 315T4726
 315T3055

 **BOEING**
 COMPONENT
 MAINTENANCE MANUAL

FIG. & ITEM	PART NO.	AIRLINE PART NUMBER	NOMENCLATURE 1234567	EFF CODE	QTY PER ASSY
02-				FS, FU ,FW FY, GA ,GC, GE, GG ,GJ, G L, GN GQ, GS ,GT, G W, GY, HA, HC JD- JG ,JM- J Q	

78-31-14

ILLUSTRATED PARTS LIST
 01.1 Page 1038A
 Jul 01/04

FIG. & ITEM	PART NO.	AIRLINE PART NUMBER	NOMENCLATURE 1234567	EFF CODE	QTY PER ASSY
02- -325	AFP107-6		...NUT- (V30974) (SPEC BACN10NR6) (OPT AP1028T6 (V01673)) (OPT BC921T6 (V50948)) (OPT DBON10NR6 (V14798)) (OPT ER01921-6T (V88334)) (OPT FER8928-6 (V14397)) (OPT F11-6 (V73197)) (OPT 2-03005T6 (V11328)) (OPT 31783-6 (V14397)) (OPT ITEM 325A)	A,C,E ,G, J-P, S-U,A A,AE, AG AJ,AL ,AN,A Q,AS, AU,AW ,AY BA,BC ,BE-B G,B L-BN, BS-CB CN-CX ,DJ,D L,DN, DQ,DS ,DU DW,DY ,EA, EC,EE ,EG,E J,EL EN,EQ ,ES,E U,EW, EY,F A-FC FE,FJ ,FL,F N,FQ,	2

78-31-14

 ILLUSTRATED PARTS LIST
 01.1 Page 1038B
 Jul 01/04

015T0438
 315T3001
 315T4726
 315T3055

 **BOEING**
 COMPONENT
 MAINTENANCE MANUAL

FIG. & ITEM	PART NO.	AIRLINE PART NUMBER	NOMENCLATURE 1234567	EFF CODE	QTY PER ASSY
02-				FS, FU ,FW FY, GA ,GC, GE, GG ,GJ, G L, GN GQ, GS ,GT, G W, GY, HA, HC JD- JG ,JM- J Q	

78-31-14

ILLUSTRATED PARTS LIST
 01.1 Page 1038C
 Jul 01/04

FIG. & ITEM	PART NO.	AIRLINE PART NUMBER	NOMENCLATURE	EFF CODE	QTY PER ASSY
02- -325A	MS21921-6J		1234567 ...NUT- (OPT ITEM 325)	A,C,E ,G, J-P, S-U,A A,AE, AG AJ,AL ,AN,A Q,AS, AU,AW ,AY BA,BC ,BE-B G,B L-BN, BS-CB CN-CX ,DJ,D L,DN, DQ,DS ,DU DW,DY ,EA, EC,EE ,EG,E J,EL EN,EQ ,ES,E U,EW, EY,F A-FC FE,FJ ,FL,F N,FQ,	2

78-31-14

 ILLUSTRATED PARTS LIST
 01.1 Page 1038D
 Jul 01/04

015T0438
 315T3001
 315T4726
 315T3055

 **BOEING**
 COMPONENT
 MAINTENANCE MANUAL

FIG. & ITEM	PART NO.	AIRLINE PART NUMBER	NOMENCLATURE 1234567	EFF CODE	QTY PER ASSY
02-				FS, FU ,FW FY, GA ,GC, GE, GG ,GJ, G L, GN GQ, GS ,GT, G W, GY, HA, HC JD- JG ,JM- J Q	

78-31-14

ILLUSTRATED PARTS LIST
 01.1 Page 1038E
 Jul 01/04

FIG. & ITEM	PART NO.	AIRLINE PART NUMBER	NOMENCLATURE	EFF CODE	QTY PER ASSY
02-330	BACT16BR060606J		1234567 ..TEE- (POST SB 767-78-0068)	A,C,E ,G, J-P, S-U,A A,AE, AG AJ,AL ,AN,A Q,AS, AU,AW ,AY BA,BC ,BE-B G,B L-BN, BS-CB CN-CX ,DJ,D L,DN, DQ,DS ,DU DW,DY ,EA, EC,EE ,EG,E J,EL EN,EQ ,ES,E U,EW, EY,F A-FC FE,FJ ,FL,F N,FQ,	1

78-31-14

015T0438
 315T3001
 315T4726
 315T3055

 **BOEING**
 COMPONENT
 MAINTENANCE MANUAL

FIG. & ITEM	PART NO.	AIRLINE PART NUMBER	NOMENCLATURE 1234567	EFF CODE	QTY PER ASSY
02-				FS, FU ,FW FY, GA ,GC, GE, GG ,GJ, G L, GN GQ, GS ,GT, G W, GY, HA, HC JD- JG ,JM- J Q	

78-31-14

ILLUSTRATED PARTS LIST
 01.1 Page 1038G
 Jul 01/04

FIG. & ITEM	PART NO.	AIRLINE PART NUMBER	NOMENCLATURE	EFF CODE	QTY PER ASSY
02-335	S315T360-47		1234567 ..ACTUATOR- (POST SB 767-78-0068)	A,C,E ,G, J-P, S-U,A A,AE, AG AJ,AL ,AN,A Q,AS, AU,AW ,AY BA,BC ,BE-B G,B L-BN, BS-CB CN-CX ,DJ,D L,DN, DQ,DS ,DU DW,DY ,EA, EC,EE ,EG,E J,EL EN,EQ ,ES,E U,EW, EY,F A-FC FE,FJ ,FL,F N,FQ,	1

78-31-14

 ILLUSTRATED PARTS LIST
 01.1 Page 1038H
 Jul 01/04

015T0438
 315T3001
 315T4726
 315T3055

 **BOEING**
 COMPONENT
 MAINTENANCE MANUAL

FIG. & ITEM	PART NO.	AIRLINE PART NUMBER	NOMENCLATURE 1234567	EFF CODE	QTY PER ASSY
02-				FS, FU ,FW FY, GA ,GC, GE, GG ,GJ, G L, GN GQ, GS ,GT, G W, GY, HA, HC JD- JG ,JM- J Q	

78-31-14

ILLUSTRATED PARTS LIST
 01.1 Page 1038I
 Jul 01/04

FIG. & ITEM	PART NO.	AIRLINE PART NUMBER	NOMENCLATURE	EFF CODE	QTY PER ASSY
02-340	315T4726-8		1234567 ..TUBE ASSY- (POST SB 767-78-0068)	B,D,F ,H,Q, R,V-Z ,AB-A D,AF AH,AK ,AM,A P,AR, AT,AV ,AX AZ,BB ,BD,B H-BK, BP-BR CC-CM ,CY-D H,DK, DM,DP ,DR DT,DV ,DX,D Z,EB, ED,EF ,EH EK,EM ,EP,E R,ET, EV,EX ,EZ FD,FF ,FG,F H,FK, FM,FP ,FR	1

78-31-14

ILLUSTRATED PARTS LIST

01.1 Page 1038J

Jul 01/04

015T0438
 315T3001
 315T4726
 315T3055

 **BOEING**
 COMPONENT
 MAINTENANCE MANUAL

FIG. & ITEM	PART NO.	AIRLINE PART NUMBER	NOMENCLATURE 1234567	EFF CODE	QTY PER ASSY
02-				FT, FV ,FX, F Z, GB, GD, GF ,GH GK, GM ,GP, G R, GU, GV, GX ,GZ HB, HD ,JH-J L, J R-JU	

78-31-14

ILLUSTRATED PARTS LIST
 01.1 Page 1038K
 Jul 01/04

FIG. & ITEM	PART NO.	AIRLINE PART NUMBER	NOMENCLATURE	EFF CODE	QTY PER ASSY
02-345	315T4726-18		1234567 ..TUBE ASSY- (POST SB 767-78-0068)	B,D,F ,H,Q, R,V-Z ,AB-A D,AF AH,AK ,AM,A P,AR, AT,AV ,AX AZ,BB ,BD,B H-BK, BP-BR CC-CM ,CY-D H,DK, DM,DP ,DR DT,DV ,DX,D Z,EB, ED,EF ,EH EK,EM ,EP,E R,ET, EV,EX ,EZ FD,FF ,FG,F H,FK, FM,FP ,FR	1

78-31-14

 ILLUSTRATED PARTS LIST
 01.1 Page 1038L
 Jul 01/04

015T0438
 315T3001
 315T4726
 315T3055

 **BOEING**
 COMPONENT
 MAINTENANCE MANUAL

FIG. & ITEM	PART NO.	AIRLINE PART NUMBER	NOMENCLATURE 1234567	EFF CODE	QTY PER ASSY
02-				FT,FV ,FX,F Z,GB, GD,GF ,GH GK,GM ,GP,G R,GU, GV,GX ,GZ HB,HD ,JH-J L,J R-JU	

78-31-14

ILLUSTRATED PARTS LIST
 01.1 Page 1038M
 Jul 01/04

FIG. & ITEM	PART NO.	AIRLINE PART NUMBER	NOMENCLATURE	EFF CODE	QTY PER ASSY
02-350	DB0S13BX06H		1234567 ...SLEEVE- (V14798) (SPEC BACS13BX06H) (OPT 2-02903-06H (V11328)) (OPT 35235V06 (V08199)) (OPT AP2097-06H (V01673)) (OPT AFP175V06 (V30974))	B,D,F ,H,Q, R,V-Z ,AB-A D,AF AH,AK ,AM,A P,AR, AT,AV ,AX AZ,BB ,BD,B H-BK, BP-BR CC-CM ,CY-D H,DK, DM,DP ,DR DT,DV ,DX,D Z,EB, ED,EF ,EH EK,EM ,EP,E R,ET, EV,EX ,EZ FD,FF ,FG,F H,FK, FM,FP ,FR	2

78-31-14

015T0438
 315T3001
 315T4726
 315T3055

 **BOEING**
 COMPONENT
 MAINTENANCE MANUAL

FIG. & ITEM	PART NO.	AIRLINE PART NUMBER	NOMENCLATURE 1234567	EFF CODE	QTY PER ASSY
02-				FT, FV ,FX, F Z, GB, GD, GF ,GH GK, GM ,GP, G R, GU, GV, GX ,GZ HB, HD ,JH-J L, J R-JU	

78-31-14

ILLUSTRATED PARTS LIST
 01.1 Page 10380
 Jul 01/04

FIG. & ITEM	PART NO.	AIRLINE PART NUMBER	NOMENCLATURE	EFF CODE	QTY PER ASSY
02-355	AFP107-6		1234567 ...NUT- (V30974) (SPEC BACN10NR6) (OPT AP1028T6 (V01673)) (OPT BC921T6 (V50948)) (OPT DBON10NR6 (V14798)) (OPT ER01921-6T (V88334)) (OPT FER8928-6 (V14397)) (OPT F11-6 (V73197)) (OPT 2-03005T6 (V11328)) (OPT 31783-6 (V14397)) (OPT ITEM 355A)	B,D,F ,H,Q, R,V-Z ,AB-A D,AF AH,AK ,AM,A P,AR, AT,AV ,AX AZ,BB ,BD,B H-BK, BP-BR CC-CM ,CY-D H,DK, DM,DP ,DR DT,DV ,DX,D Z,EB, ED,EF ,EH EK,EM ,EP,E R,ET, EV,EX ,EZ FD,FF ,FG,F H,FK, FM,FP ,FR	2

78-31-14

ILLUSTRATED PARTS LIST
 01.1 Page 1038P
 Jul 01/04

015T0438
 315T3001
 315T4726
 315T3055

 **BOEING**
 COMPONENT
 MAINTENANCE MANUAL

FIG. & ITEM	PART NO.	AIRLINE PART NUMBER	NOMENCLATURE 1234567	EFF CODE	QTY PER ASSY
02-				FT,FV ,FX,F Z,GB, GD,GF ,GH GK,GM ,GP,G R,GU, GV,GX ,GZ HB,HD ,JH-J L,J R-JU	

78-31-14

ILLUSTRATED PARTS LIST
 01.1 Page 1038Q
 Jul 01/04

FIG. & ITEM	PART NO.	AIRLINE PART NUMBER	NOMENCLATURE	EFF CODE	QTY PER ASSY
02-355A	MS21921-6J		1234567 ...NUT- (OPT ITEM 355)	B,D,F ,H,Q, R,V-Z ,AB-A D,AF AH,AK ,AM,A P,AR, AT,AV ,AX AZ,BB ,BD,B H-BK, BP-BR CC-CM ,CY-D H,DK, DM,DP ,DR DT,DV ,DX,D Z,EB, ED,EF ,EH EK,EM ,EP,E R,ET, EV,EX ,EZ FD,FF ,FG,F H,FK, FM,FP ,FR	2

78-31-14

 ILLUSTRATED PARTS LIST
 01.1 Page 1038R
 Jul 01/04

015T0438
 315T3001
 315T4726
 315T3055

 **BOEING**
 COMPONENT
 MAINTENANCE MANUAL

FIG. & ITEM	PART NO.	AIRLINE PART NUMBER	NOMENCLATURE 1234567	EFF CODE	QTY PER ASSY
02-				FT, FV ,FX, F Z, GB, GD, GF ,GH GK, GM ,GP, G R, GU, GV, GX ,GZ HB, HD ,JH-J L, J R-JU	

78-31-14

ILLUSTRATED PARTS LIST
 01.1 Page 1038S
 Jul 01/04

FIG. & ITEM	PART NO.	AIRLINE PART NUMBER	NOMENCLATURE	EFF CODE	QTY PER ASSY
02-360	BACT16BR060606J		1234567 ..TEE- (POST SB 767-78-0068)	B,D,F ,H,Q, R,V-Z ,AB-A D,AF AH,AK ,AM,A P,AR, AT,AV ,AX AZ,BB ,BD,B H-BK, BP-BR CC-CM ,CY-D H,DK, DM,DP ,DR DT,DV ,DX,D Z,EB, ED,EF ,EH EK,EM ,EP,E R,ET, EV,EX ,EZ FD,FF ,FG,F H,FK, FM,FP ,FR	1

78-31-14

 ILLUSTRATED PARTS LIST
 01.1 Page 1038T
 Jul 01/04

015T0438
 315T3001
 315T4726
 315T3055

 **BOEING**
 COMPONENT
 MAINTENANCE MANUAL

FIG. & ITEM	PART NO.	AIRLINE PART NUMBER	NOMENCLATURE 1234567	EFF CODE	QTY PER ASSY
02-				FT, FV ,FX, F Z, GB, GD, GF ,GH GK, GM ,GP, G R, GU, GV, GX ,GZ HB, HD ,JH-J L, J R-JU	

78-31-14

ILLUSTRATED PARTS LIST
 01.1 Page 1038U
 Jul 01/04

FIG. & ITEM	PART NO.	AIRLINE PART NUMBER	NOMENCLATURE	EFF CODE	QTY PER ASSY
02-365	S315T360-47		1234567 ..ACTUATOR- (POST SB 767-78-0068)	B,D,F ,H,Q, R,V-Z ,AB-A D,AF AH,AK ,AM,A P,AR, AT,AV ,AX AZ,BB ,BD,B H-BK, BP-BR CC-CM ,CY-D H,DK, DM,DP ,DR DT,DV ,DX,D Z,EB, ED,EF ,EH EK,EM ,EP,E R,ET, EV,EX ,EZ FD,FF ,FG,F H,FK, FM,FP ,FR	1

78-31-14

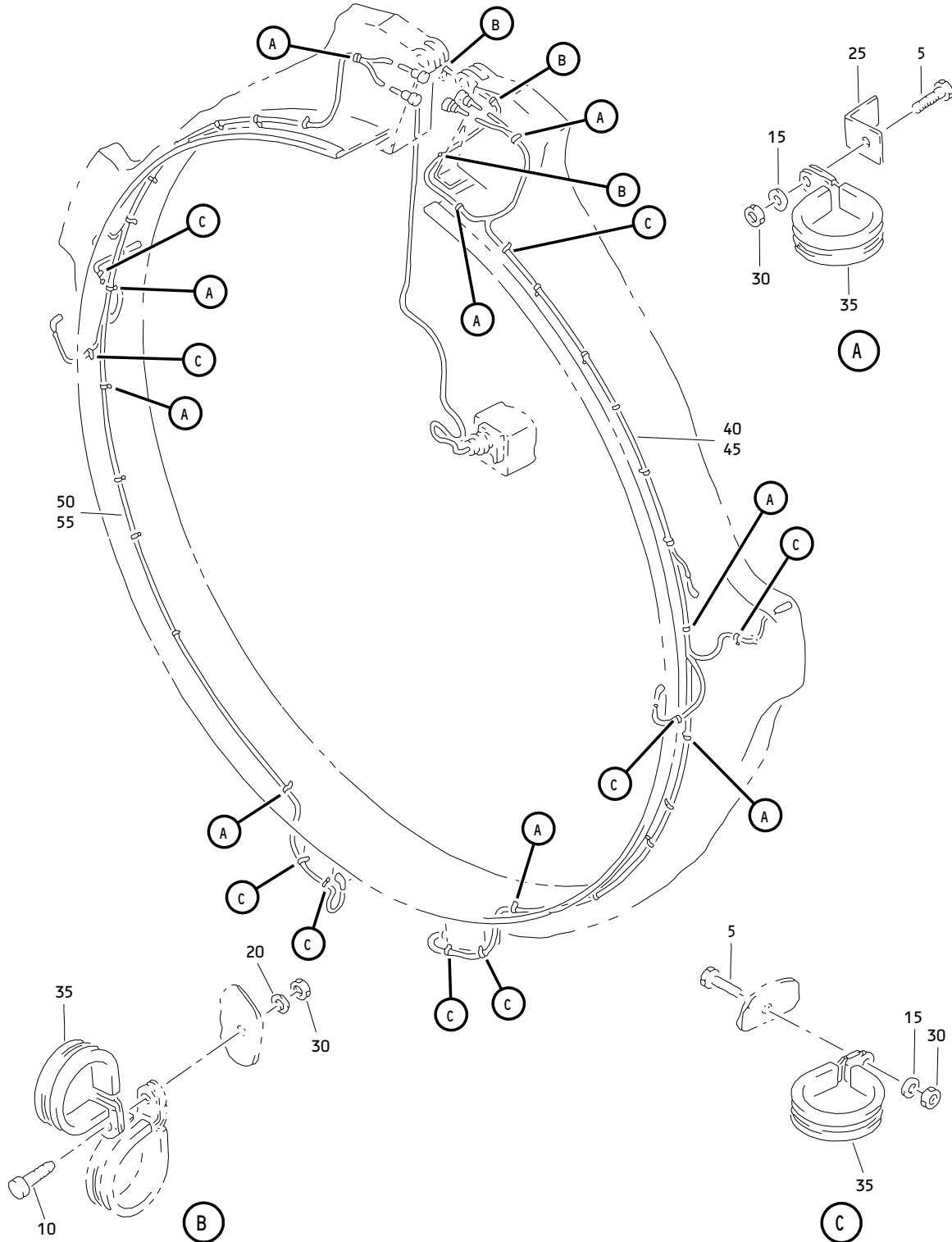
ILLUSTRATED PARTS LIST
 01.1 Page 1038V
 Jul 01/04

015T0438
 315T3001
 315T4726
 315T3055

 **BOEING**
 COMPONENT
 MAINTENANCE MANUAL

FIG. & ITEM	PART NO.	AIRLINE PART NUMBER	NOMENCLATURE	EFF CODE	QTY PER ASSY
02-			1234567		
R 370	BAC27TTR59		..MARKER-ALUMINUM FOIL- V170 (POST SB 767-78-0061) DELETED ACTUATOR USE 78-31-14-05 315T3721-1 LINK ASSY ONLY *(2) FOR 2190000-22 ACTUATOR USE 78-31-14-05 315T3721-9 LINK ASSY ONLY	FT,FV ,FX,F Z,GB, GD,GF ,GH GK,GM ,GP,G R,GU, GV,GX ,GZ HB,HD ,JH-J L,J R-JU	1

- Item Not Illustrated



Cowling and Thrust Reverser Actuator Wire Bundle Installation
Figure 3

78-31-14

ILLUSTRATED PARTS LIST
 01.1 Page 1038X
 Jul 01/04

015T0438
 315T3001
 315T4726
 315T3055

 **BOEING**
 COMPONENT
 MAINTENANCE MANUAL

FIG. & ITEM	PART NO.	AIRLINE PART NUMBER	NOMENCLATURE 1234567	EFF CODE	QTY PER ASSY
03-					
-1A	288T3199		INSTALLATION PARTS WIRE BUNDLE INSTL-COWLING AND THRUST REVERSER		RF
5	NAS1801-3		.SCREW		38
10	NAS6703U4		.BOLT		3
15	AN960PD10L		.WASHER		38
20	AN960PD10		.WASHER		3
25	AN743-12		.BRACKET		24
30	H10-3BAC		.NUT- (V15653) (SPEC BACN10JC3) (OPT NS202101-02 (V80539)) (OPT RMLH9075-3W (V72962)) (OPT T6S1032J (V71087)) (OPT VN303A02 (V92215)) (OPT 96-02 (V80539)) (OPT BRH10A3 (V52828))		41
35	BACC10GU		.CLAMP		38
40	286T0326		.WIRE BUNDLE ASSY-W326		1
45	286T0330		.WIRE BUNDLE ASSY-W330		1
50	286T0328		.WIRE BUNDLE ASSY-W328		1
55	286T0332		.WIRE BUNDLE ASSY-W332		1

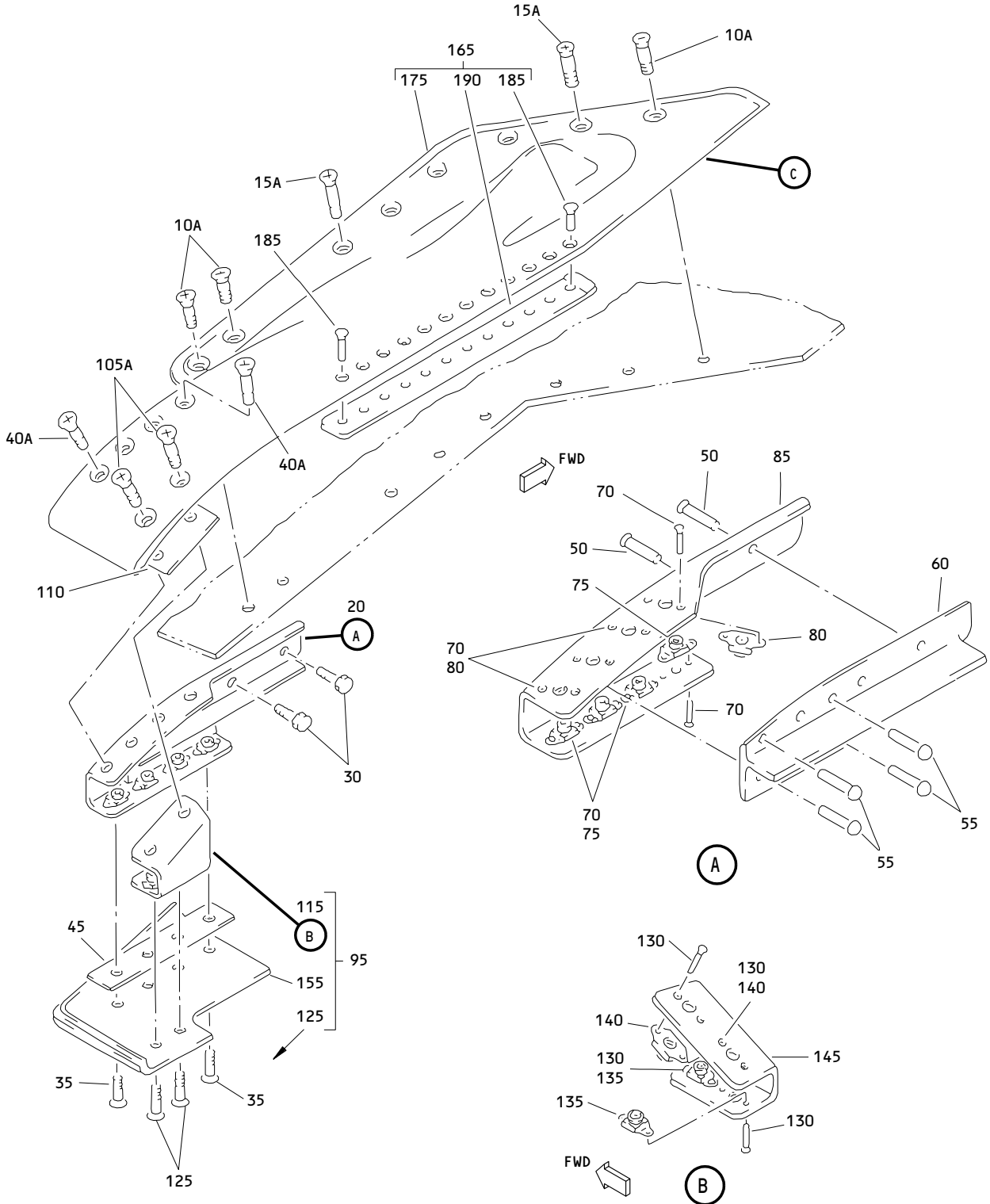
- Item Not Illustrated

78-31-14

ILLUSTRATED PARTS LIST
 01.1 Page 1038Y
 Jul 01/04

015T0438
315T3001
315T4726
315T3055

BOEING
COMPONENT
MAINTENANCE MANUAL

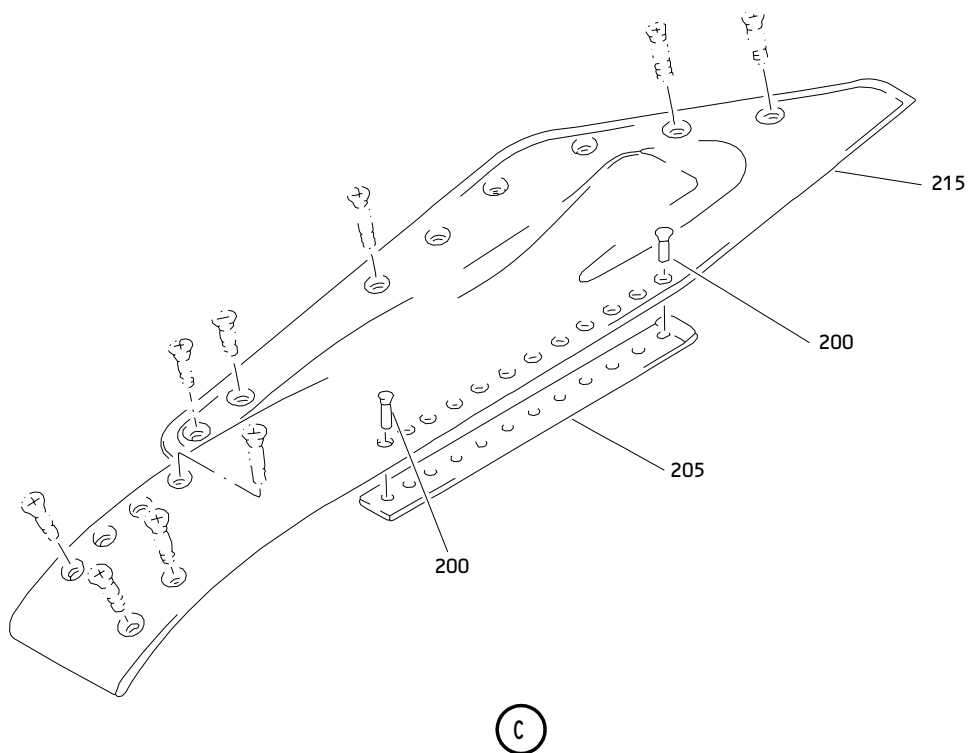


Track Fairing Installation
Figure 4 (Sheet 1)

78-31-14

ILLUSTRATED PARTS LIST
01.1 Page 1039
Jul 01/04

787246



Track Fairing Installation
Figure 4 (Sheet 2)

78-31-14

ILLUSTRATED PARTS LIST
01.1 Page 1040
Jul 01/04

015T0438
 315T3001
 315T4726
 315T3055

 **BOEING**
 COMPONENT
 MAINTENANCE MANUAL

FIG. & ITEM	PART NO.	AIRLINE PART NUMBER	NOMENCLATURE	EFF CODE	QTY PER ASSY
04-1	315T3579-5SP		1234567 FAIRING INSTL-TRACK	A,C,E ,G, J-P, S-U,A A,AE, AG AJ,AL ,AN,A Q,AS, AU,AW ,AY BA,BC ,BE-B G,B L-BN, BS-CB CN-CX ,DJ,D L,DN, DQ,DS ,DU DW,DY ,EA, EC,EE ,EG,E J,EL EN,EQ ,ES,E U,EW, EY,F A-FC FE,FJ ,FL,F N,FQ,	RF

78-31-14

ILLUSTRATED PARTS LIST
 01.1 Page 1040A
 Jul 01/04

FIG. & ITEM	PART NO.	AIRLINE PART NUMBER	NOMENCLATURE 1234567	EFF CODE	QTY PER ASSY
04-				FS, FU ,FW FY, GA ,GC, GE, GG ,GJ, G L, GN GQ, GS ,GT, G W, GY, HA, HC JD-JG ,JM-J Q	

78-31-14

ILLUSTRATED PARTS LIST
 01.1 Page 1040B
 Jul 01/04

015T0438
 315T3001
 315T4726
 315T3055

 **BOEING**
 COMPONENT
 MAINTENANCE MANUAL

FIG. & ITEM	PART NO.	AIRLINE PART NUMBER	NOMENCLATURE	EFF CODE	QTY PER ASSY
04-5	315T3579-6SP		1234567 FAIRING INSTL-TRACK	B,D,F ,H,Q, R,V-Z ,AB-A D,AF AH,AK ,AM,A P,AR, AT,AV ,AX AZ,BB ,BD,B H-BK, BP-BR CC-CM ,CY-D H,DK, DM,DP ,DR DT,DV ,DX,D Z,EB, ED,EF ,EH EK,EM ,EP,E R,ET, EV,EX ,EZ FD,FF ,FG,F H,FK, FM,FP ,FR	RF

78-31-14

ILLUSTRATED PARTS LIST
 01.1 Page 1040C
 Jul 01/04

FIG. & ITEM	PART NO.	AIRLINE PART NUMBER	NOMENCLATURE	EFF CODE	QTY PER ASSY
04-			1234567		
				FT, FV ,FX, F Z, GB, GD, GF , GH GK, GM , GP, G R, GU, GV, GX , GZ HB, HD , JH-J L, J R-JU	
10	BACB30NN4K2		DELETED		
10A	BACB30VF4K2		.BOLT		3
15	BACB30NN4K3		DELETED		
15A	BACB30VF4K3		.BOLT		5

78-31-14

ILLUSTRATED PARTS LIST
 01.1 Page 1040D
 Jul 01/04

015T0438
 315T3001
 315T4726
 315T3055

 **BOEING**
 COMPONENT
 MAINTENANCE MANUAL

FIG. & ITEM	PART NO.	AIRLINE PART NUMBER	NOMENCLATURE 1234567	EFF CODE	QTY PER ASSY
04-20	315T3705-67		.BRACKET ASSY-ATTACH	A,C,E ,G, J-P, S-U,A A,AE, AG AJ,AL ,AN,A Q,AS, AU,AW ,AY BA,BC ,BE-B G,B L-BN, BS-CB CN-CX ,DJ,D L,DN, DQ,DS ,DU DW,DY ,EA, EC,EE ,EG,E J,EL EN,EQ ,ES,E U,EW, EY,F A-FC FE,FJ ,FL,F N,FQ,	1

78-31-14

ILLUSTRATED PARTS LIST
 01.1 Page 1040E
 Jul 01/04

FIG. & ITEM	PART NO.	AIRLINE PART NUMBER	NOMENCLATURE 1234567	EFF CODE	QTY PER ASSY
04-				FS, FU ,FW FY, GA ,GC, GE, GG ,GJ, G L, GN GQ, GS ,GT, G W, GY, HA, HC JD-JG ,JM-J Q	

78-31-14

ILLUSTRATED PARTS LIST
 01.1 Page 1040F
 Jul 01/04

015T0438
 315T3001
 315T4726
 315T3055

 **BOEING**
 COMPONENT
 MAINTENANCE MANUAL

FIG. & ITEM	PART NO.	AIRLINE PART NUMBER	NOMENCLATURE	EFF CODE	QTY PER ASSY
04- -25	315T3705-68		1234567 .BRACKET ASSY-ATTACH	B,D,F ,H,Q, R,V-Z ,AB-A D,AF AH,AK ,AM,A P,AR, AT,AV ,AX AZ,BB ,BD,B H-BK, BP-BR CC-CM ,CY-D H,DK, DM,DP ,DR DT,DV ,DX,D Z,EB, ED,EF ,EH EK,EM ,EP,E R,ET, EV,EX ,EZ FD,FF ,FG,F H,FK, FM,FP ,FR FT,FV	1

78-31-14

ILLUSTRATED PARTS LIST
 01.1 Page 1040G
 Jul 01/04

FIG. & ITEM	PART NO.	AIRLINE PART NUMBER	NOMENCLATURE 1234567	EFF CODE	QTY PER ASSY
04-				,FX,F Z,GB, GD,GF ,GH GK,GM ,GP,G R,GU, GV,GX J-P, ,GZ HB,HD ,JH-J L,J R-JU	
			ATTACHING PARTS		
30	BACB30LJ3-7		.BOLT		2
35	BACB30LL3-3		.BOLT		4
40	BACB30NN4K3		DELETED		
40A	BACB30VF4K3		.BOLT		4
45	BACS40R08C48F		.SHIM		1
			-----*-----		
50	BACR15BA5AD		..RIVET- (SIZE DETERMINE ON INST)		2
55	BACR15BB5AD3		..RIVET		6

78-31-14

 ILLUSTRATED PARTS LIST
 01.1 Page 1040H
 Jul 01/04

015T0438
 315T3001
 315T4726
 315T3055

 **BOEING**
 COMPONENT
 MAINTENANCE MANUAL

FIG. & ITEM	PART NO.	AIRLINE PART NUMBER	NOMENCLATURE	EFF CODE	QTY PER ASSY
04-60	315T3705-45		1234567 ..TEE	A,C,E ,G, J-P, S-U,A A,AE, AG AJ,AL ,AN,A Q,AS, AU,AW ,AY BA,BC ,BE-B G,B L-BN, BS-CB CN-CX ,DJ,D L,DN, DQ,DS ,DU DW,DY ,EA, EC,EE ,EG,E J,EL EN,EQ ,ES,E U,EW, EY,F A-FC FE,FJ ,FL,F N,FQ,	1

78-31-14

ILLUSTRATED PARTS LIST
 01.1 Page 1040I
 Jul 01/04

FIG. & ITEM	PART NO.	AIRLINE PART NUMBER	NOMENCLATURE 1234567	EFF CODE	QTY PER ASSY
04-				FS, FU ,FW FY, GA ,GC, GE, GG ,GJ, G L, GN GQ, GS ,GT, G W, GY, HA, HC JD-JG ,JM-J Q	

78-31-14

015T0438
 315T3001
 315T4726
 315T3055

 **BOEING**
 COMPONENT
 MAINTENANCE MANUAL

FIG. & ITEM	PART NO.	AIRLINE PART NUMBER	NOMENCLATURE	EFF CODE	QTY PER ASSY
04- -65	315T3705-46		1234567 ..TEE	B,D,F ,H,Q, R,V-Z ,AB-A D,AF AH,AK ,AM,A P,AR, AT,AV ,AX AZ,BB ,BD,B H-BK, BP-BR CC-CM ,CY-D H,DK, DM,DP ,DR DT,DV ,DX,D Z,EB, ED,EF ,EH EK,EM ,EP,E R,ET, EV,EX ,EZ FD,FF ,FG,F H,FK, FM,FP ,FR	1

78-31-14

ILLUSTRATED PARTS LIST
 01.1 Page 1040K
 Jul 01/04

FIG. & ITEM	PART NO.	AIRLINE PART NUMBER	NOMENCLATURE	EFF CODE	QTY PER ASSY
04-			1234567		
70 75	BACR15BA3AD2 BRF200C3M		..RIVET ..NUTPLATE- (V52828) (SPEC BACN10JR3CFM) (OPT F5001-3BAC (V15653)) (OPT NS103203SE02 (V80539)) (OPT T8092C1032 (V11815)) (OPT VN152D1-02 (V92215)) (OPT 109F9201-3 (V72962))	FT,FV ,FX,F Z,GB, GD,GF ,GH GK,GM ,GP,G R,GU, GV,GX ,GZ HB,HD ,JH-J L,J R-JU	16 4
80	BRF200C4M		..NUTPLATE- (V52828) (SPEC BACN10JR4CFM) (OPT F5001-4BAC (V15653)) (OPT NS103203SE048 (V80539)) (OPT T8092C428 (V11815)) (OPT VN152D1-048 (V92215)) (OPT 109F9201-4 (V72962))		4

78-31-14

ILLUSTRATED PARTS LIST
01.1 Page 1040L
Jul 01/04

015T0438
 315T3001
 315T4726
 315T3055

 **BOEING**
 COMPONENT
 MAINTENANCE MANUAL

FIG. & ITEM	PART NO.	AIRLINE PART NUMBER	NOMENCLATURE	EFF CODE	QTY PER ASSY
04-85	315T3705-69		1234567 ..BRACKET	A,C,E ,G, J-P, S-U,A A,AE, AG AJ,AL ,AN,A Q,AS, AU,AW ,AY BA,BC ,BE-B G,B L-BN, BS-CB CN-CX ,DJ,D L,DN, DQ,DS ,DU DW,DY ,EA, EC,EE ,EG,E J,EL EN,EQ ,ES,E U,EW, EY,F A-FC FE,FJ ,FL,F N,FQ,	1

78-31-14

ILLUSTRATED PARTS LIST
 01.1 Page 1040M
 Jul 01/04

FIG. & ITEM	PART NO.	AIRLINE PART NUMBER	NOMENCLATURE 1234567	EFF CODE	QTY PER ASSY
04-				FS, FU ,FW FY, GA ,GC, GE, GG ,GJ, G L, GN GQ, GS ,GT, G W, GY, HA, HC JD-JG ,JM-J Q	

78-31-14

ILLUSTRATED PARTS LIST
 01.1 Page 1040N
 Jul 01/04

015T0438
 315T3001
 315T4726
 315T3055

 **BOEING**
 COMPONENT
 MAINTENANCE MANUAL

FIG. & ITEM	PART NO.	AIRLINE PART NUMBER	NOMENCLATURE	EFF CODE	QTY PER ASSY
04-90	315T3705-70		1234567 ..BRACKET	B,D,F ,H,Q, R,V-Z ,AB-A D,AF AH,AK ,AM,A P,AR, AT,AV ,AX AZ,BB ,BD,B H-BK, BP-BR CC-CM ,CY-D H,DK, DM,DP ,DR DT,DV ,DX,D Z,EB, ED,EF ,EH EK,EM ,EP,E R,ET, EV,EX ,EZ FD,FF ,FG,F H,FK, FM,FP ,FR	1

78-31-14

ILLUSTRATED PARTS LIST
 01.1 Page 10400
 Jul 01/04

FIG. & ITEM	PART NO.	AIRLINE PART NUMBER	NOMENCLATURE 1234567	EFF CODE	QTY PER ASSY
04-				FT,FV ,FX,F Z,GB, GD,GF ,GH GK,GM ,GP,G R,GU, GV,GX ,GZ HB,HD ,JH-J L,J R-JU	

78-31-14

ILLUSTRATED PARTS LIST
 01.1 Page 1040P
 Jul 01/04

015T0438
 315T3001
 315T4726
 315T3055

 **BOEING**
 COMPONENT
 MAINTENANCE MANUAL

FIG. & ITEM	PART NO.	AIRLINE PART NUMBER	NOMENCLATURE	EFF CODE	QTY PER ASSY
04-95	315T3530-11		1234567 .FAIRING ASSY	A,C,E ,G, J-P, S-U,A A,AE, AG AJ,AL ,AN,A Q,AS, AU,AW ,AY BA,BC ,BE-B G,B L-BN, BS-CB CN-CX ,DJ,D L,DN, DQ,DS ,DU DW,DY ,EA, EC,EE ,EG,E J,EL EN,EQ ,ES,E U,EW, EY,F A-FC FE,FJ ,FL,F N,FQ,	1

78-31-14

ILLUSTRATED PARTS LIST
 01.1 Page 1040Q
 Jul 01/04

FIG. & ITEM	PART NO.	AIRLINE PART NUMBER	NOMENCLATURE 1234567	EFF CODE	QTY PER ASSY
04-				FS, FU ,FW FY, GA ,GC, GE, GG ,GJ, G L, GN GQ, GS ,GT, G W, GY, HA, HC JD-JG ,JM-J Q	

78-31-14

ILLUSTRATED PARTS LIST
 01.1 Page 1040R
 Jul 01/04

015T0438
 315T3001
 315T4726
 315T3055

 **BOEING**
 COMPONENT
 MAINTENANCE MANUAL

FIG. & ITEM	PART NO.	AIRLINE PART NUMBER	NOMENCLATURE	EFF CODE	QTY PER ASSY
04- -100	315T3530-12		1234567 FAIRING ASSY	B,D,F ,H,Q, R,V-Z ,AB-A D,AF AH,AK ,AM,A P,AR, AT,AV ,AX AZ,BB ,BD,B H-BK, BP-BR CC-CM ,CY-D H,DK, DM,DP ,DR DT,DV ,DX,D Z,EB, ED,EF ,EH EK,EM ,EP,E R,ET, EV,EX ,EZ FD,FF ,FG,F H,FK, FM,FP ,FR FT,FV	1

78-31-14

ILLUSTRATED PARTS LIST
 01.1 Page 1040S
 Jul 01/04

FIG. & ITEM	PART NO.	AIRLINE PART NUMBER	NOMENCLATURE	EFF CODE	QTY PER ASSY
04-			1234567		
				,FX,F Z,GB, GD,GF ,GH GK,GM ,GP,G R,GU, GV,GX ,GZ HB,HD ,JH-J L,J R-JU	
105	BACB30NN4K3		ATTACHING PARTS DELETED		
105A	BACB30VF4K3		.BOLT		2

78-31-14

015T0438
 315T3001
 315T4726
 315T3055

 **BOEING**
 COMPONENT
 MAINTENANCE MANUAL

FIG. & ITEM	PART NO.	AIRLINE PART NUMBER	NOMENCLATURE	EFF CODE	QTY PER ASSY
			1234567		
04-110	BACS40R12C26F		.SHIM -----*		1
115	315T3705-37		..CLIP ASSY	A,C,E ,G, J-P, S-U,A A,AE, AG AJ,AL ,AN,A Q,AS, AU,AW ,AY BA,BC ,BE-B G,B L-BN, BS-CB CN-CX ,DJ,D L,DN, DQ,DS ,DU DW,DY ,EA, EC,EE ,EG,E J,EL EN,EQ ,ES,E U,EW, EY,F A-FC FE,FJ ,FL,F N,FQ,	1

78-31-14

ILLUSTRATED PARTS LIST
 01.1 Page 1040U
 Jul 01/04

FIG. & ITEM	PART NO.	AIRLINE PART NUMBER	NOMENCLATURE 1234567	EFF CODE	QTY PER ASSY
04-				FS, FU ,FW FY, GA ,GC, GE, GG ,GJ, G L, GN GQ, GS ,GT, G W, GY, HA, HC JD-JG ,JM-J Q	

78-31-14

015T0438
 315T3001
 315T4726
 315T3055

 **BOEING**
 COMPONENT
 MAINTENANCE MANUAL

FIG. & ITEM	PART NO.	AIRLINE PART NUMBER	NOMENCLATURE	EFF CODE	QTY PER ASSY
04- -120	315T3705-38		1234567 ..CLIP ASSY	B,D,F ,H,Q, R,V-Z ,AB-A D,AF AH,AK ,AM,A P,AR, AT,AV ,AX AZ,BB ,BD,B H-BK, BP-BR CC-CM ,CY-D H,DK, DM,DP ,DR DT,DV ,DX,D Z,EB, ED,EF ,EH EK,EM ,EP,E R,ET, EV,EX ,EZ FD,FF ,FG,F H,FK, FM,FP ,FR FT,FV	1

78-31-14

ILLUSTRATED PARTS LIST
 01.1 Page 1040W
 Jul 01/04

FIG. & ITEM	PART NO.	AIRLINE PART NUMBER	NOMENCLATURE	EFF CODE	QTY PER ASSY
04-			1234567		
				,FX,F Z,GB, GD,GF ,GH GK,GM ,GP,G R,GU, GV,GX ,GZ HB,HD ,JH-J L,J R-JU	
125	BACB30LL3-4		ATTACHING PARTS ..BOLT -----*-----		2
130	BACR15BA3AD2		...RIVET		8
135	BRF200C3M		...NUTPLATE- (V52828) (SPEC BACN10JR3CFM) (OPT F5001-3BAC (V15653)) (OPT NS103203SE02 (V80539)) (OPT T8092C1032 (V11815)) (OPT VN152D1-02 (V92215)) (OPT 109F9201-3 (V72962))		2

78-31-14

 ILLUSTRATED PARTS LIST
 01.1 Page 1040X
 Jul 01/04

015T0438
 315T3001
 315T4726
 315T3055

 **BOEING**
 COMPONENT
 MAINTENANCE MANUAL

FIG. & ITEM	PART NO.	AIRLINE PART NUMBER	NOMENCLATURE 1234567	EFF CODE	QTY PER ASSY
04-140	BRF200C4M		...NUTPLATE- (V52828) (SPEC BACN10JR4CFM) (OPT F5001-4BAC (V15653)) (OPT NS103203SE048 (V80539)) (OPT T8092C428 (V11815)) (OPT VN152D1-048 (V92215)) (OPT 109F9201-4 (V72962))		2

78-31-14

ILLUSTRATED PARTS LIST
 01.1 Page 1040Y
 Jul 01/04

FIG. & ITEM	PART NO.	AIRLINE PART NUMBER	NOMENCLATURE	EFF CODE	QTY PER ASSY
04-145	315T3705-39		1234567 ...CLIP	A,C,E ,G, J-P, S-U,A A,AE, AG AJ,AL ,AN,A Q,AS, AU,AW ,AY BA,BC ,BE-B G,B L-BN, BS-CB CN-CX ,DJ,D L,DN, DQ,DS ,DU DW,DY ,EA, EC,EE ,EG,E J,EL EN,EQ ,ES,E U,EW, EY,F A-FC FE,FJ ,FL,F N,FQ,	1

78-31-14

 ILLUSTRATED PARTS LIST
 01.1 Page 1040Z
 Jul 01/04

015T0438
 315T3001
 315T4726
 315T3055

 **BOEING**
 COMPONENT
 MAINTENANCE MANUAL

FIG. & ITEM	PART NO.	AIRLINE PART NUMBER	NOMENCLATURE 1234567	EFF CODE	QTY PER ASSY
04-				FS, FU ,FW FY, GA ,GC, GE, GG ,GJ, G L, GN GQ, GS ,GT, G W, GY, HA, HC JD- JG ,JM- J Q	

78-31-14

ILLUSTRATED PARTS LIST

01.1

Page 1041

Jul 01/04

FIG. & ITEM	PART NO.	AIRLINE PART NUMBER	NOMENCLATURE	EFF CODE	QTY PER ASSY
04-150	315T3705-40		1234567 ...CLIP	B,D,F ,H,Q, R,V-Z ,AB-A D,AF AH,AK ,AM,A P,AR, AT,AV ,AX AZ,BB ,BD,B H-BK, BP-BR CC-CM ,CY-D H,DK, DM,DP ,DR DT,DV ,DX,D Z,EB, ED,EF ,EH EK,EM ,EP,E R,ET, EV,EX ,EZ FD,FF ,FG,F H,FK, FM,FP ,FR	1

78-31-14

ILLUSTRATED PARTS LIST
 01.1 Page 1042
 Jul 01/04

015T0438
 315T3001
 315T4726
 315T3055

 **BOEING**
 COMPONENT
 MAINTENANCE MANUAL

FIG. & ITEM	PART NO.	AIRLINE PART NUMBER	NOMENCLATURE 1234567	EFF CODE	QTY PER ASSY
04-				FT, FV ,FX, F Z, GB, GD, GF ,GH GK, GM ,GP, G R, GU, GV, GX ,GZ HB, HD ,JH-J L, J R-JU	

78-31-14

ILLUSTRATED PARTS LIST
 01.1 Page 1042A
 Jul 01/04

FIG. & ITEM	PART NO.	AIRLINE PART NUMBER	NOMENCLATURE	EFF CODE	QTY PER ASSY
04-155	315T3530-13		1234567 ..BOND ASSY	A,C,E ,G, J-P, S-U,A A,AE, AG AJ,AL ,AN,A Q,AS, AU,AW ,AY BA,BC ,BE-B G,B L-BN, BS-CB CN-CX ,DJ,D L,DN, DQ,DS ,DU DW,DY ,EA, EC,EE ,EG,E J,EL EN,EQ ,ES,E U,EW, EY,F A-FC FE,FJ ,FL,F N,FQ,	1

78-31-14

 ILLUSTRATED PARTS LIST
 01.1 Page 1042B
 Jul 01/04

015T0438
 315T3001
 315T4726
 315T3055

 **BOEING**
 COMPONENT
 MAINTENANCE MANUAL

FIG. & ITEM	PART NO.	AIRLINE PART NUMBER	NOMENCLATURE 1234567	EFF CODE	QTY PER ASSY
04-				FS, FU ,FW FY, GA ,GC, GE, GG ,GJ, G L, GN GQ, GS ,GT, G W, GY, HA, HC JD- JG ,JM- J Q	

78-31-14

ILLUSTRATED PARTS LIST
 01.1 Page 1042C
 Jul 01/04

FIG. & ITEM	PART NO.	AIRLINE PART NUMBER	NOMENCLATURE	EFF CODE	QTY PER ASSY
04-160	315T3530-14		1234567 ..BOND ASSY	B,D,F ,H,Q, R,V-Z ,AB-A D,AF AH,AK ,AM,A P,AR, AT,AV ,AX AZ,BB ,BD,B H-BK, BP-BR CC-CM ,CY-D H,DK, DM,DP ,DR DT,DV ,DX,D Z,EB, ED,EF ,EH EK,EM ,EP,E R,ET, EV,EX ,EZ FD,FF ,FG,F H,FK, FM,FP ,FR	1

78-31-14

ILLUSTRATED PARTS LIST
 01.1 Page 1042D
 Jul 01/04

015T0438
 315T3001
 315T4726
 315T3055

 **BOEING**
 COMPONENT
 MAINTENANCE MANUAL

FIG. & ITEM	PART NO.	AIRLINE PART NUMBER	NOMENCLATURE 1234567	EFF CODE	QTY PER ASSY
04-				FT, FV ,FX, F Z, GB, GD, GF ,GH GK, GM ,GP, G R, GU, GV, GX ,GZ HB, HD ,JH-J L, J R-JU	

78-31-14

ILLUSTRATED PARTS LIST
 01.1 Page 1042E
 Jul 01/04

FIG. & ITEM	PART NO.	AIRLINE PART NUMBER	NOMENCLATURE	EFF CODE	QTY PER ASSY
04-165	315T3530-7		.FAIRING ASSY- (LIMITED) (315T4531-5 TOGETHER WITH 315T3530-5 RUB STRIP I/W 315T3530-7)	A,C,E ,G, J-P, S-U,A A,AE, AG AJ,AL ,AN,A Q,AS, AU,AW ,AY BA,BC ,BE-B G,B L-BN, BS-CB CN-CX ,DJ,D L,DN, DQ,DS ,DU DW,DY ,EA, EC,EE ,EG,E J,EL EN,EQ ,ES,E U,EW, EY,F A-FC FE,FJ ,FL,F N,FQ,	1

78-31-14

ILLUSTRATED PARTS LIST
 01.1 Page 1042F
 Jul 01/04

015T0438
 315T3001
 315T4726
 315T3055

 **BOEING**
 COMPONENT
 MAINTENANCE MANUAL

FIG. & ITEM	PART NO.	AIRLINE PART NUMBER	NOMENCLATURE 1234567	EFF CODE	QTY PER ASSY
04-				FS, FU ,FW FY, GA ,GC, GE, GG ,GJ, G L, GN GQ, GS ,GT, G W, GY, HA, HC JD- JG ,JM- J Q	

78-31-14

ILLUSTRATED PARTS LIST
 01.1 Page 1042G
 Jul 01/04

FIG. & ITEM	PART NO.	AIRLINE PART NUMBER	NOMENCLATURE	EFF CODE	QTY PER ASSY
04-170	315T3530-8		1234567 .FAIRING ASSY- (LIMITED) (315T4531-6 TOGETHER WITH 315T3530-6 RUB STRIP I/W 315T3530-8)	B,D,F ,H,Q, R,V-Z ,AB-A D,AF AH,AK ,AM,A P,AR, AT,AV ,AX AZ,BB ,BD,B H-BK, BP-BR CC-CM ,CY-D H,DK, DM,DP ,DR DT,DV ,DX,D Z,EB, ED,EF ,EH EK,EM ,EP,E R,ET, EV,EX ,EZ FD,FF ,FG,F H,FK, FM,FP ,FR	1

78-31-14

ILLUSTRATED PARTS LIST
 01.1 Page 1042H
 Jul 01/04

015T0438
 315T3001
 315T4726
 315T3055

 **BOEING**
 COMPONENT
 MAINTENANCE MANUAL

FIG. & ITEM	PART NO.	AIRLINE PART NUMBER	NOMENCLATURE 1234567	EFF CODE	QTY PER ASSY
04-				FT,FV ,FX,F Z,GB, GD,GF ,GH GK,GM ,GP,G R,GU, GV,GX ,GZ HB,HD ,JH-J L,J R-JU	

78-31-14

ILLUSTRATED PARTS LIST
 01.1 Page 1042I
 Jul 01/04

FIG. & ITEM	PART NO.	AIRLINE PART NUMBER	NOMENCLATURE	EFF CODE	QTY PER ASSY
04-175	315T3530-9		1234567 ..BOND ASSY	A,C,E ,G, J-P, S-U,A A,AE, AG AJ,AL ,AN,A Q,AS, AU,AW ,AY BA,BC ,BE-B G,B L-BN, BS-CB CN-CX ,DJ,D L,DN, DQ,DS ,DU DW,DY ,EA, EC,EE ,EG,E J,EL EN,EQ ,ES,E U,EW, EY,F A-FC FE,FJ ,FL,F N,FQ,	1

78-31-14

 ILLUSTRATED PARTS LIST
 01.1 Page 1042J
 Jul 01/04

015T0438
 315T3001
 315T4726
 315T3055

 **BOEING**
 COMPONENT
 MAINTENANCE MANUAL

FIG. & ITEM	PART NO.	AIRLINE PART NUMBER	NOMENCLATURE 1234567	EFF CODE	QTY PER ASSY
04-				FS, FU ,FW FY, GA ,GC, GE, GG ,GJ, G L, GN GQ, GS ,GT, G W, GY, HA, HC JD- JG ,JM- J Q	

78-31-14

ILLUSTRATED PARTS LIST
 01.1 Page 1042K
 Jul 01/04

FIG. & ITEM	PART NO.	AIRLINE PART NUMBER	NOMENCLATURE	EFF CODE	QTY PER ASSY
04-180	315T3530-10		1234567 ..BOND ASSY	B,D,F ,H,Q, R,V-Z ,AB-A D,AF AH,AK ,AM,A P,AR, AT,AV ,AX AZ,BB ,BD,B H-BK, BP-BR CC-CM ,CY-D H,DK, DM,DP ,DR DT,DV ,DX,D Z,EB, ED,EF ,EH EK,EM ,EP,E R,ET, EV,EX ,EZ FD,FF ,FG,F H,FK, FM,FP ,FR	1

78-31-14

 ILLUSTRATED PARTS LIST
 01.1 Page 1042L
 Jul 01/04

015T0438
 315T3001
 315T4726
 315T3055

 **BOEING**
 COMPONENT
 MAINTENANCE MANUAL

FIG. & ITEM	PART NO.	AIRLINE PART NUMBER	NOMENCLATURE	EFF CODE	QTY PER ASSY
04-			1234567		
185	BACR15BA5AD		..RIVET- (SIZE DETERMINE ON INST)	FT, FV , FX, F Z, GB, GD, GF , GH GK, GM , GP, G R, GU, GV, GX , GZ HB, HD , JH-J L, J R-JU	12

78-31-14

ILLUSTRATED PARTS LIST
 01.1 Page 1042M
 Jul 01/04

FIG. & ITEM	PART NO.	AIRLINE PART NUMBER	NOMENCLATURE	EFF CODE	QTY PER ASSY
04-190	315T3530-5		1234567 ..STRIP-RUB	A,C,E ,G, J-P, S-U,A A,AE, AG AJ,AL ,AN,A Q,AS, AU,AW ,AY BA,BC ,BE-B G,B L-BN, BS-CB CN-CX ,DJ,D L,DN, DQ,DS ,DU DW,DY ,EA, EC,EE ,EG,E J,EL EN,EQ ,ES,E U,EW, EY,F A-FC FE,FJ ,FL,F N,FQ,	1

78-31-14

ILLUSTRATED PARTS LIST
 01.1 Page 1042N
 Jul 01/04

015T0438
 315T3001
 315T4726
 315T3055

 **BOEING**
 COMPONENT
 MAINTENANCE MANUAL

FIG. & ITEM	PART NO.	AIRLINE PART NUMBER	NOMENCLATURE 1234567	EFF CODE	QTY PER ASSY
04-				FS, FU ,FW FY, GA ,GC, GE, GG ,GJ, G L, GN GQ, GS ,GT, G W, GY, HA, HC JD- JG ,JM- J Q	

78-31-14

ILLUSTRATED PARTS LIST
 01.1 Page 10420
 Jul 01/04

FIG. & ITEM	PART NO.	AIRLINE PART NUMBER	NOMENCLATURE	EFF CODE	QTY PER ASSY
04-195	315T3530-6		1234567 ..STRIP-RUB	B,D,F ,H,Q, R,V-Z ,AB-A D,AF AH,AK ,AM,A P,AR, AT,AV ,AX AZ,BB ,BD,B H-BK, BP-BR CC-CM ,CY-D H,DK, DM,DP ,DR DT,DV ,DX,D Z,EB, ED,EF ,EH EK,EM ,EP,E R,ET, EV,EX ,EZ FD,FF ,FG,F H,FK, FM,FP ,FR	1

78-31-14

 ILLUSTRATED PARTS LIST
 01.1 Page 1042P
 Jul 01/04

015T0438
 315T3001
 315T4726
 315T3055

 **BOEING**
 COMPONENT
 MAINTENANCE MANUAL

FIG. & ITEM	PART NO.	AIRLINE PART NUMBER	NOMENCLATURE 1234567	EFF CODE	QTY PER ASSY
04-				FT,FV ,FX,F Z,GB, GD,GF ,GH GK,GM ,GP,G R,GU, GV,GX ,GZ HB,HD ,JH-J L,J R-JU	

78-31-14

ILLUSTRATED PARTS LIST
 01.1 Page 1042Q
 Jul 01/04

FIG. & ITEM	PART NO.	AIRLINE PART NUMBER	NOMENCLATURE	EFF CODE	QTY PER ASSY
04-200	BACR15BA5B		.RIVET- (LIMITED) (SIZE DETERMINE ON INST)		12
205	315T3530-5		.STRIP-RUB (LIMITED)	A,C,E ,G, J-P, S-U,A A,AE, AG AJ,AL ,AN,A Q,AS, AU,AW ,AY BA,BC ,BE-B G,B L-BN, BS-CB CN-CX ,DJ,D L,DN, DQ,DS ,DU DW,DY ,EA, EC,EE ,EG,E J,EL EN,EQ ,ES,E U,EW, EY,F A-FC FE,FJ ,FL,F N,FQ,	1

78-31-14

 ILLUSTRATED PARTS LIST
 01.1 Page 1042R
 Jul 01/04

015T0438
 315T3001
 315T4726
 315T3055

 **BOEING**
 COMPONENT
 MAINTENANCE MANUAL

FIG. & ITEM	PART NO.	AIRLINE PART NUMBER	NOMENCLATURE 1234567	EFF CODE	QTY PER ASSY
04-				FS, FU ,FW FY, GA ,GC, GE, GG ,GJ, G L, GN GQ, GS ,GT, G W, GY, HA, HC JD- JG ,JM- J Q	

78-31-14

ILLUSTRATED PARTS LIST
 01.1 Page 1042S
 Jul 01/04

FIG. & ITEM	PART NO.	AIRLINE PART NUMBER	NOMENCLATURE	EFF CODE	QTY PER ASSY
04-210	315T3530-6		1234567 .STRIP-RUB (LIMITED)	B,D,F ,H,Q, R,V-Z ,AB-A D,AF AH,AK ,AM,A P,AR, AT,AV ,AX AZ,BB ,BD,B H-BK, BP-BR CC-CM ,CY-D H,DK, DM,DP ,DR DT,DV ,DX,D Z,EB, ED,EF ,EH EK,EM ,EP,E R,ET, EV,EX ,EZ FD,FF ,FG,F H,FK, FM,FP ,FR	1

78-31-14

 ILLUSTRATED PARTS LIST
 01.1 Page 1042T
 Jul 01/04

015T0438
 315T3001
 315T4726
 315T3055

 **BOEING**
 COMPONENT
 MAINTENANCE MANUAL

FIG. & ITEM	PART NO.	AIRLINE PART NUMBER	NOMENCLATURE 1234567	EFF CODE	QTY PER ASSY
04-				FT,FV ,FX,F Z,GB, GD,GF ,GH GK,GM ,GP,G R,GU, GV,GX ,GZ HB,HD ,JH-J L,J R-JU	

78-31-14

ILLUSTRATED PARTS LIST
 01.1 Page 1042U
 Jul 01/04

FIG. & ITEM	PART NO.	AIRLINE PART NUMBER	NOMENCLATURE	EFF CODE	QTY PER ASSY
04-215	315T4531-5		1234567 .FAIRING- (LIMITED) (315T4531-5 TOGETHER WITH 315T3530-5 RUB STRIP I/W 315T3530-7)	A,C,E ,G, J-P, S-U,A A,AE, AG AJ,AL ,AN,A Q,AS, AU,AW ,AY BA,BC ,BE-B G,B L-BN, BS-CB CN-CX ,DJ,D L,DN, DQ,DS ,DU DW,DY ,EA, EC,EE ,EG,E J,EL EN,EQ ,ES,E U,EW, EY,F A-FC FE,FJ ,FL,F N,FQ,	1

78-31-14

 ILLUSTRATED PARTS LIST
 01.1 Page 1042V
 Jul 01/04

015T0438
 315T3001
 315T4726
 315T3055

 **BOEING**
 COMPONENT
 MAINTENANCE MANUAL

FIG. & ITEM	PART NO.	AIRLINE PART NUMBER	NOMENCLATURE 1234567	EFF CODE	QTY PER ASSY
04-				FS, FU ,FW FY, GA ,GC, GE, GG ,GJ, G L, GN GQ, GS ,GT, G W, GY, HA, HC JD- JG ,JM- J Q	

78-31-14

ILLUSTRATED PARTS LIST
 01.1 Page 1042W
 Jul 01/04

FIG. & ITEM	PART NO.	AIRLINE PART NUMBER	NOMENCLATURE	EFF CODE	QTY PER ASSY
04- -220	315T4531-6		1234567 . FAIRING- (LIMITED) (315T4531-6 TOGETHER WITH 315T3530-6 RUB STRIP I/W 315T3530-8)	B,D,F ,H,Q, R,V-Z ,AB-A D,AF AH,AK ,AM,A P,AR, AT,AV ,AX AZ,BB ,BD,B H-BK, BP-BR CC-CM ,CY-D H,DK, DM,DP ,DR DT,DV ,DX,D Z,EB, ED,EF ,EH EK,EM ,EP,E R,ET, EV,EX ,EZ FD,FF ,FG,F H,FK, FM,FP ,FR	1

78-31-14

ILLUSTRATED PARTS LIST
 01.1 Page 1042X
 Jul 01/04

015T0438
 315T3001
 315T4726
 315T3055

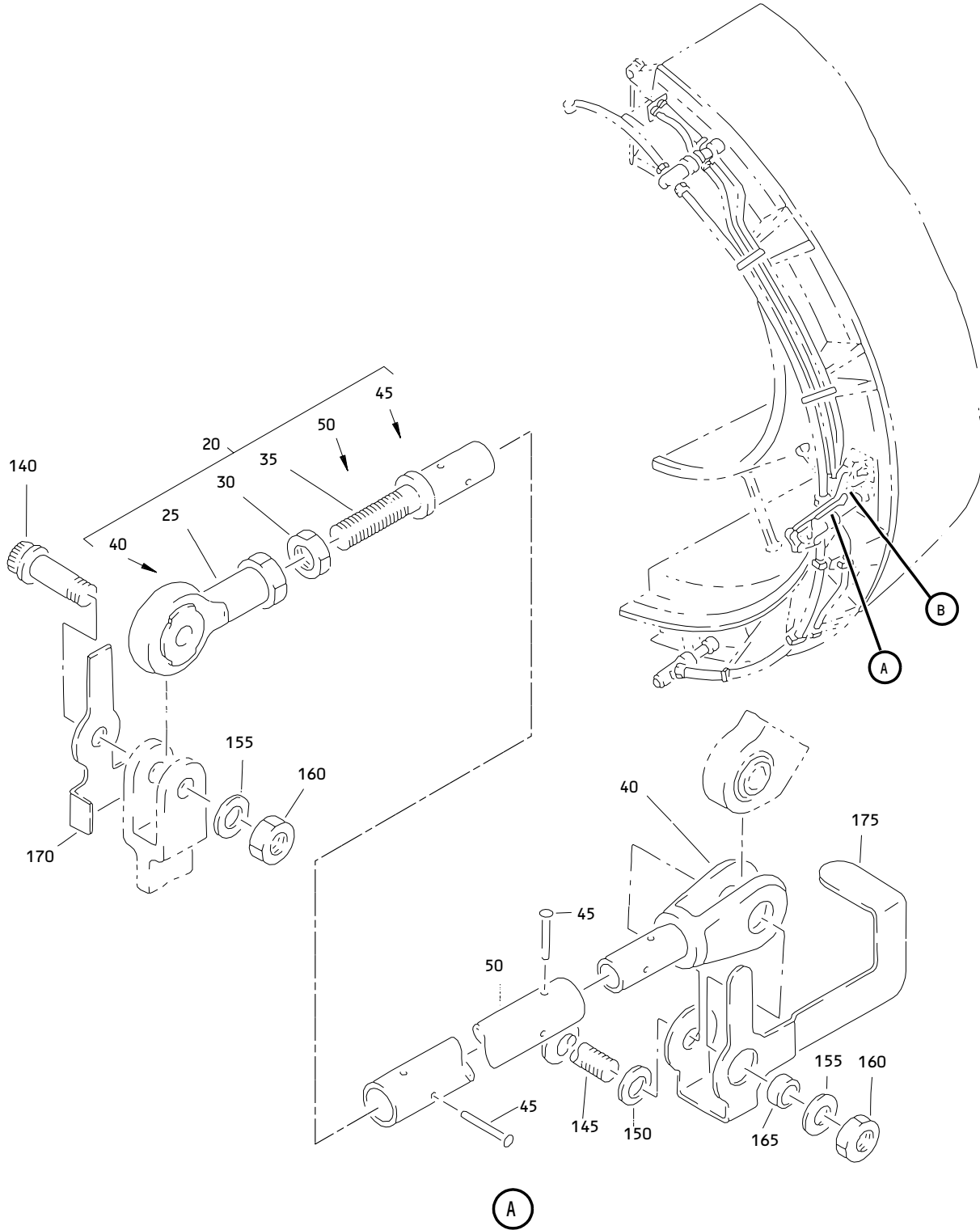
 **BOEING**
 COMPONENT
 MAINTENANCE MANUAL

FIG. & ITEM	PART NO.	AIRLINE PART NUMBER	NOMENCLATURE	EFF CODE	QTY PER ASSY
04-			1234567	FT, FV ,FX, F Z, GB, GD, GF , GH GK, GM , GP, G R, GU, GV, GX , GZ HB, HD , JH-J L, J R-JU	

- Item Not Illustrated

78-31-14

ILLUSTRATED PARTS LIST
 01.1 Page 1042Y
 Jul 01/04



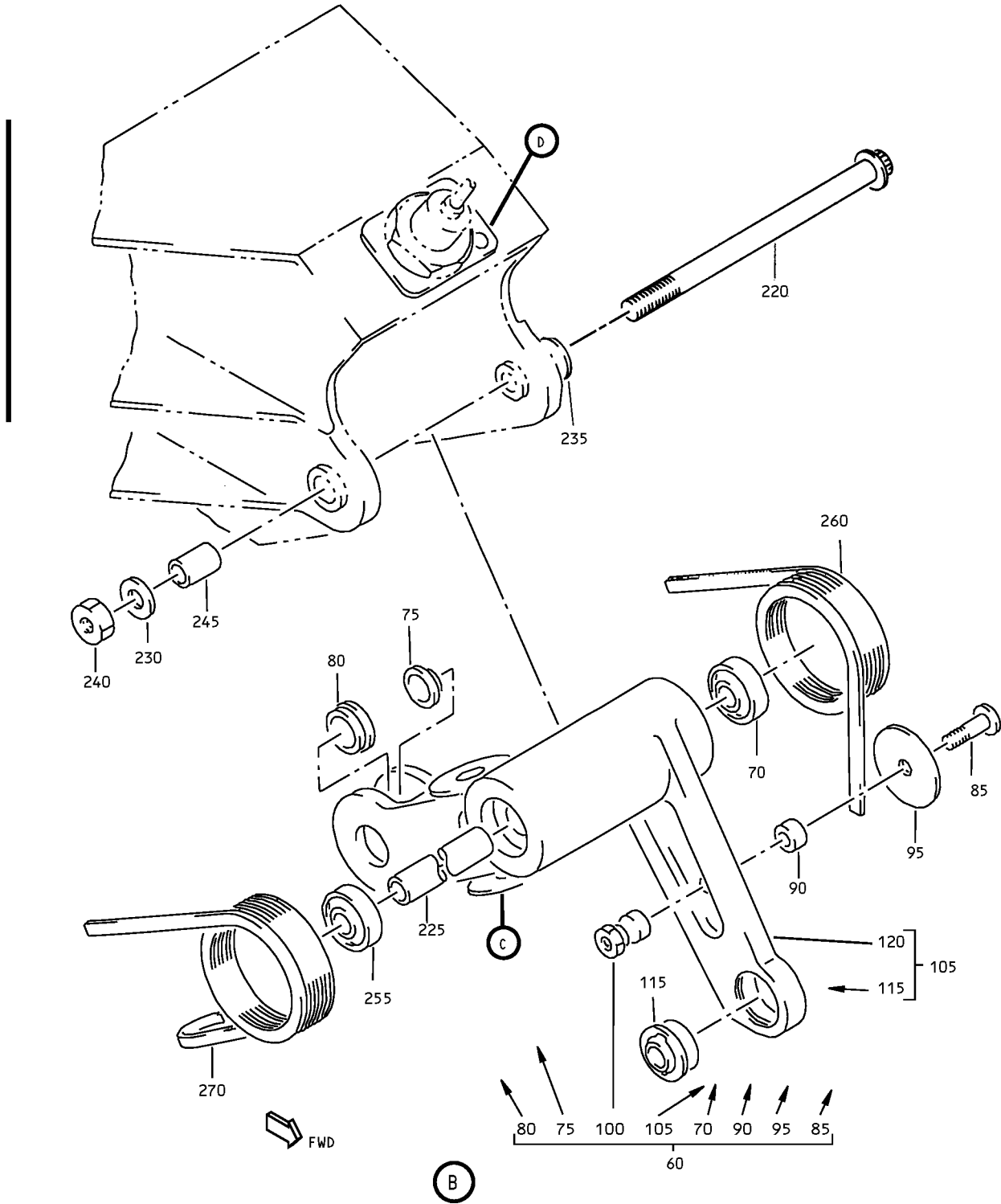
Thrust Reverser Feedback Interlock Installation
 Figure 5 (Sheet 1)

78-31-14

ILLUSTRATED PARTS LIST
 01.1 Page 1042Z
 Jul 01/04

015T0438
315T3001
315T4726
315T3055

BOEING
COMPONENT
MAINTENANCE MANUAL

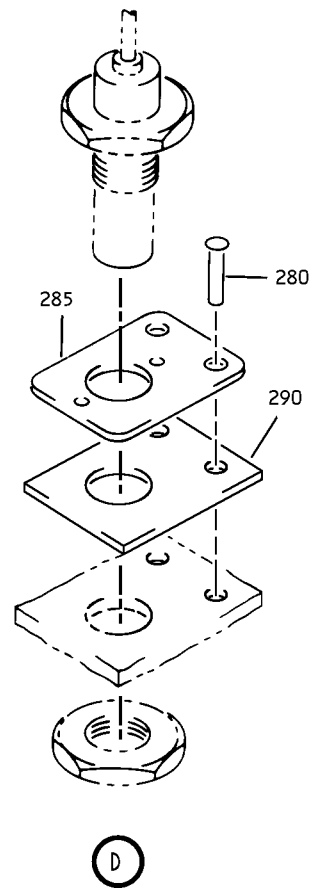
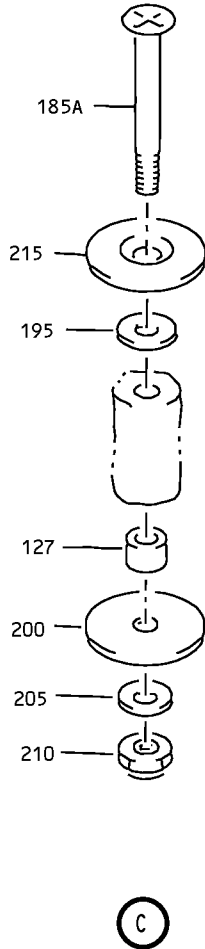


Thrust Reverser Feedback Interlock Installation
Figure 5 (Sheet 2)

78-31-14

ILLUSTRATED PARTS LIST
01.1 Page 1043
Jul 01/04

787618



Thrust Reverser Feedback Interlock Installation
 Figure 5 (Sheet 3)

78-31-14

ILLUSTRATED PARTS LIST
 01.1 Page 1044
 Jul 01/04

015T0438
 315T3001
 315T4726
 315T3055

 **BOEING**
 COMPONENT
 MAINTENANCE MANUAL

FIG. & ITEM	PART NO.	AIRLINE PART NUMBER	NOMENCLATURE	EFF CODE	QTY PER ASSY
05- -1	315T3701-1		1234567 INTERLOCK INSTL-THRUST REVERSER FEEDBACK	A,C,E ,G, J-P, S-U,A A,AE, AG AJ,AL ,AN,A Q,AS, AU,AW ,AY BA,BC ,BE-B G,B L-BN, BS-CB CN-CX ,DJ,D L,DN, DQ,DS ,DU DW,DY ,EA, EC,EE ,EG,E J,EL EN,EQ ,ES,E U,EW, EY,F A-FC FE,FJ ,FL,F N,FQ,	RF

78-31-14

ILLUSTRATED PARTS LIST
 01.1 Page 1044A
 Jul 01/04

FIG. & ITEM	PART NO.	AIRLINE PART NUMBER	NOMENCLATURE 1234567	EFF CODE	QTY PER ASSY
05-				FS, FU ,FW FY, GA ,GC, GE, GG ,GJ, G L, GN GQ, GS ,GT, G W, GY, HA, HC JD-JG ,JM-J Q	

78-31-14

015T0438
 315T3001
 315T4726
 315T3055

 **BOEING**
 COMPONENT
 MAINTENANCE MANUAL

FIG. & ITEM	PART NO.	AIRLINE PART NUMBER	NOMENCLATURE	EFF CODE	QTY PER ASSY
05-5	315T3701-2		1234567 INTERLOCK INSTL-THRUST REVERSER FEEDBACK	B,D,F ,H,Q, R,V-Z ,AB-A D,AF AH,AK ,AM,A P,AR, AT,AV ,AX AZ,BB ,BD,B H-BK, BP-BR CC-CM ,CY-D H,DK, DM,DP ,DR DT,DV ,DX,D Z,EB, ED,EF ,EH EK,EM ,EP,E R,ET, EV,EX ,EZ FD,FF ,FG,F H,FK, FM,FP ,FR	RF

78-31-14

ILLUSTRATED PARTS LIST
 01.1 Page 1044C
 Jul 01/04

FIG. & ITEM	PART NO.	AIRLINE PART NUMBER	NOMENCLATURE 1234567	EFF CODE	QTY PER ASSY
05-				FT,FV ,FX,F Z,GB, GD,GF ,GH GK,GM ,GP,G R,GU, GV,GX ,GZ HB,HD ,JH-J L,J R-JU	

78-31-14

015T0438
 315T3001
 315T4726
 315T3055

 **BOEING**
 COMPONENT
 MAINTENANCE MANUAL

FIG. & ITEM	PART NO.	AIRLINE PART NUMBER	NOMENCLATURE	EFF CODE	QTY PER ASSY
05-10	315T3701-5001		1234567 .COLLECTOR ASSY-LIMITED PT (LIMITED)	A,C,E ,G, J-P, S-U,A A,AE, AG AJ,AL ,AN,A Q,AS, AU,AW ,AY BA,BC ,BE-B G,B L-BN, BS-CB CN-CX ,DJ,D L,DN, DQ,DS ,DU DW,DY ,EA, EC,EE ,EG,E J,EL EN,EQ ,ES,E U,EW, EY,F A-FC FE,FJ ,FL,F N,FQ,	1

78-31-14

ILLUSTRATED PARTS LIST
 01.1 Page 1044E
 Jul 01/04

FIG. & ITEM	PART NO.	AIRLINE PART NUMBER	NOMENCLATURE 1234567	EFF CODE	QTY PER ASSY
05-				FS, FU ,FW FY, GA ,GC, GE, GG ,GJ, G L, GN GQ, GS ,GT, G W, GY, HA, HC JD-JG ,JM-J Q	

78-31-14

015T0438
 315T3001
 315T4726
 315T3055

 **BOEING**
 COMPONENT
 MAINTENANCE MANUAL

FIG. & ITEM	PART NO.	AIRLINE PART NUMBER	NOMENCLATURE 1234567	EFF CODE	QTY PER ASSY
05- -10A	315T3701-5005		.COLLECTOR ASSY-LIMITED PT (LIMITED)	A,C,E ,G, J-P, S-U,A A,AE, AG AJ,AL ,AN,A Q,AS, AU,AW ,AY BA,BC ,BE-B G,B L-BN, BS-CB CN-CX ,DJ,D L,DN, DQ,DS ,DU DW,DY ,EA, EC,EE ,EG,E J,EL EN,EQ ,ES,E U,EW, EY,F A-FC FE,FJ ,FL,F N,FQ,	1

78-31-14

ILLUSTRATED PARTS LIST
 01.1 Page 1044G
 Jul 01/04

FIG. & ITEM	PART NO.	AIRLINE PART NUMBER	NOMENCLATURE 1234567	EFF CODE	QTY PER ASSY
05-				FS, FU ,FW FY, GA ,GC, GE, GG ,GJ, G L, GN GQ, GS ,GT, G W, GY, HA, HC JD-JG ,JM-J Q	

78-31-14

ILLUSTRATED PARTS LIST
 01.1 Page 1044H
 Jul 01/04

015T0438
 315T3001
 315T4726
 315T3055

 **BOEING**
 COMPONENT
 MAINTENANCE MANUAL

FIG. & ITEM	PART NO.	AIRLINE PART NUMBER	NOMENCLATURE	EFF CODE	QTY PER ASSY
05-10B	315T3701-5003		1234567 .COLLECTOR ASSY-LIMITED PT (LIMITED)	A,C,E ,G, J-P, S-U,A A,AE, AG AJ,AL ,AN,A Q,AS, AU,AW ,AY BA,BC ,BE-B G,B L-BN, BS-CB CN-CX ,DJ,D L,DN, DQ,DS ,DU DW,DY ,EA, EC,EE ,EG,E J,EL EN,EQ ,ES,E U,EW, EY,F A-FC FE,FJ ,FL,F N,FQ,	1

78-31-14

ILLUSTRATED PARTS LIST
 01.1 Page 1044I
 Jul 01/04

FIG. & ITEM	PART NO.	AIRLINE PART NUMBER	NOMENCLATURE 1234567	EFF CODE	QTY PER ASSY
05-				FS, FU ,FW FY, GA ,GC, GE, GG ,GJ, G L, GN GQ, GS ,GT, G W, GY, HA, HC JD-JG ,JM-J Q	

78-31-14

ILLUSTRATED PARTS LIST
 01.1 Page 1044J
 Jul 01/04

015T0438
 315T3001
 315T4726
 315T3055

 **BOEING**
 COMPONENT
 MAINTENANCE MANUAL

FIG. & ITEM	PART NO.	AIRLINE PART NUMBER	NOMENCLATURE	EFF CODE	QTY PER ASSY
05-10C	315T3701-5007		1234567 .COLLECTOR ASSY-LIMITED PT (LIMITED)	A,C,E ,G, J-P, S-U,A A,AE, AG AJ,AL ,AN,A Q,AS, AU,AW ,AY BA,BC ,BE-B G,B L-BN, BS-CB CN-CX ,DJ,D L,DN, DQ,DS ,DU DW,DY ,EA, EC,EE ,EG,E J,EL EN,EQ ,ES,E U,EW, EY,F A-FC FE,FJ ,FL,F N,FQ,	1

78-31-14

ILLUSTRATED PARTS LIST
 01.1 Page 1044K
 Jul 01/04

FIG. & ITEM	PART NO.	AIRLINE PART NUMBER	NOMENCLATURE 1234567	EFF CODE	QTY PER ASSY
05-				FS, FU ,FW FY, GA ,GC, GE, GG ,GJ, G L, GN GQ, GS ,GT, G W, GY, HA, HC JD-JG ,JM-J Q	

78-31-14

015T0438
 315T3001
 315T4726
 315T3055

 **BOEING**
 COMPONENT
 MAINTENANCE MANUAL

FIG. & ITEM	PART NO.	AIRLINE PART NUMBER	NOMENCLATURE	EFF CODE	QTY PER ASSY
05-15	315T3701-5002		1234567 .COLLECTOR ASSY-LIMITED PT (LIMITED)	B,D,F ,H,Q, R,V-Z ,AB-A D,AF AH,AK ,AM,A P,AR, AT,AV ,AX AZ,BB ,BD,B H-BK, BP-BR CC-CM ,CY-D H,DK, DM,DP ,DR DT,DV ,DX,D Z,EB, ED,EF ,EH EK,EM ,EP,E R,ET, EV,EX ,EZ FD,FF ,FG,F H,FK, FM,FP ,FR	1

78-31-14

ILLUSTRATED PARTS LIST
 01.1 Page 1044M
 Jul 01/04

FIG. & ITEM	PART NO.	AIRLINE PART NUMBER	NOMENCLATURE 1234567	EFF CODE	QTY PER ASSY
05-				FT,FV ,FX,F Z,GB, GD,GF ,GH GK,GM ,GP,G R,GU, GV,GX ,GZ HB,HD ,JH-J L,J R-JU	

78-31-14

015T0438
 315T3001
 315T4726
 315T3055

 **BOEING**
 COMPONENT
 MAINTENANCE MANUAL

FIG. & ITEM	PART NO.	AIRLINE PART NUMBER	NOMENCLATURE	EFF CODE	QTY PER ASSY
05-15A	315T3701-5006		1234567 .COLLECTOR ASSY-LIMITED PT (LIMITED)	B,D,F ,H,Q, R,V-Z ,AB-A D,AF AH,AK ,AM,A P,AR, AT,AV ,AX AZ,BB ,BD,B H-BK, BP-BR CC-CM ,CY-D H,DK, DM,DP ,DR DT,DV ,DX,D Z,EB, ED,EF ,EH EK,EM ,EP,E R,ET, EV,EX ,EZ FD,FF ,FG,F H,FK, FM,FP ,FR	1

78-31-14

ILLUSTRATED PARTS LIST
 01.1 Page 10440
 Jul 01/04

FIG. & ITEM	PART NO.	AIRLINE PART NUMBER	NOMENCLATURE 1234567	EFF CODE	QTY PER ASSY
05-				FT, FV ,FX, F Z, GB, GD, GF ,GH GK, GM ,GP, G R, GU, GV, GX ,GZ HB, HD ,JH-J L, J R-JU	

78-31-14

ILLUSTRATED PARTS LIST
 01.1 Page 1044P
 Jul 01/04

015T0438
 315T3001
 315T4726
 315T3055

 **BOEING**
 COMPONENT
 MAINTENANCE MANUAL

FIG. & ITEM	PART NO.	AIRLINE PART NUMBER	NOMENCLATURE	EFF CODE	QTY PER ASSY
05- -15B	315T3701-5004		1234567 .COLLECTOR ASSY-LIMITED PT (LIMITED)	B,D,F ,H,Q, R,V-Z ,AB-A D,AF AH,AK ,AM,A P,AR, AT,AV ,AX AZ,BB ,BD,B H-BK, BP-BR CC-CM ,CY-D H,DK, DM,DP ,DR DT,DV ,DX,D Z,EB, ED,EF ,EH EK,EM ,EP,E R,ET, EV,EX ,EZ FD,FF ,FG,F H,FK, FM,FP ,FR	1

78-31-14

ILLUSTRATED PARTS LIST
 01.1 Page 1044Q
 Jul 01/04

FIG. & ITEM	PART NO.	AIRLINE PART NUMBER	NOMENCLATURE 1234567	EFF CODE	QTY PER ASSY
05-				FT, FV ,FX, F Z, GB, GD, GF ,GH GK, GM ,GP, G R, GU, GV, GX ,GZ HB, HD ,JH-J L, J R-JU	

78-31-14

ILLUSTRATED PARTS LIST
 01.1 Page 1044R
 Jul 01/04

015T0438
 315T3001
 315T4726
 315T3055

 **BOEING**
 COMPONENT
 MAINTENANCE MANUAL

FIG. & ITEM	PART NO.	AIRLINE PART NUMBER	NOMENCLATURE	EFF CODE	QTY PER ASSY
05- -15C	315T3701-5008		1234567 .COLLECTOR ASSY-LIMITED PT (LIMITED)	B,D,F ,H,Q, R,V-Z ,AB-A D,AF AH,AK ,AM,A P,AR, AT,AV ,AX AZ,BB ,BD,B H-BK, BP-BR CC-CM ,CY-D H,DK, DM,DP ,DR DT,DV ,DX,D Z,EB, ED,EF ,EH EK,EM ,EP,E R,ET, EV,EX ,EZ FD,FF ,FG,F H,FK, FM,FP ,FR	1

78-31-14

ILLUSTRATED PARTS LIST
 01.1 Page 1044S
 Jul 01/04

FIG. & ITEM	PART NO.	AIRLINE PART NUMBER	NOMENCLATURE	EFF CODE	QTY PER ASSY
05-			1234567		
20	315T3721-1		..LINK ASSY-*(1) (315T3721-9 TOGETHER WITH 2190000-22 I/W 315T3721-1 TOGETHER WITH 2190000-18 OR -20 FOR P & W ENGINE ONLY) (USED ON ITEMS 10, 15)	FT, FV ,FX, F Z, GB, GD, GF ,GH GK, GM ,GP, G R, GU, GV, GX ,GZ HB, HD ,JH-J L, J R-JU	1
-20A	315T3721-1		..LINK ASSY-*(2) (315T3721-9 TOGETHER WITH 2190000-22 I/W 315T3721-1 TOGETHER WITH 2190000-18 OR -20 FOR P & W ENGINE ONLY) (OPT ITEM 20B) (USED ON ITEMS 10A, 10B, 15A, 15B)		1
-20B	315T3721-9		..LINK ASSY-*(2) (315T3721-9 TOGETHER WITH 2190000-22 I/W 315T3721-1 TOGETHER WITH 2190000-18 OR -20 FOR P & W ENGINE ONLY) (OPT ITEM 20A) (USED ON ITEMS 10A, 10B, 15A, 15B)		1

78-31-14

 ILLUSTRATED PARTS LIST
 01.1 Page 1044T
 Jul 01/04

015T0438
 315T3001
 315T4726
 315T3055

 **BOEING**
 COMPONENT
 MAINTENANCE MANUAL

FIG. & ITEM	PART NO.	AIRLINE PART NUMBER	NOMENCLATURE 1234567	EFF CODE	QTY PER ASSY
05-25	VTA04560		...ROD END ASSY- (V06710) (SPEC S302T001-304A) (FOR DETAILS SEE FIG. 80)		1
30	NAS509-5C		...NUT		1
35	315T3721-4		...ROD END		1
40	315T3721-3		...CLEVIS		1
45	BACR15BB3AD		...RIVET- (SIZE DETERMINE ON INST)		4
50	315T3721-2		...TUBE- (USED ON ITEMS 20, 20A)		1
-50A	315T3721-10		...TUBE- (USED ON ITEM 20B)		1

78-31-14

ILLUSTRATED PARTS LIST
 01.1 Page 1044U
 Jul 01/04

FIG. & ITEM	PART NO.	AIRLINE PART NUMBER	NOMENCLATURE	EFF CODE	QTY PER ASSY
05-60	315T3722-1		1234567 ..BELLCRANK ASSY- (USED ON ITEMS 10, 10B)	A,C,E ,G, J-P, S-U,A A,AE, AG AJ,AL ,AN,A Q,AS, AU,AW ,AY BA,BC ,BE-B G,B L-BN, BS-CB CN-CX ,DJ,D L,DN, DQ,DS ,DU DW,DY ,EA, EC,EE ,EG,E J,EL EN,EQ ,ES,E U,EW, EY,F A-FC FE,FJ ,FL,F N,FQ,	1

78-31-14

ILLUSTRATED PARTS LIST
 01.1 Page 1044V
 Jul 01/04

015T0438
 315T3001
 315T4726
 315T3055

 **BOEING**
 COMPONENT
 MAINTENANCE MANUAL

FIG. & ITEM	PART NO.	AIRLINE PART NUMBER	NOMENCLATURE 1234567	EFF CODE	QTY PER ASSY
05-				FS, FU ,FW FY, GA ,GC, GE, GG ,GJ, G L, GN GQ, GS ,GT, G W, GY, HA, HC JD- JG ,JM- J Q	

78-31-14

ILLUSTRATED PARTS LIST
 01.1 Page 1044W
 Jul 01/04

FIG. & ITEM	PART NO.	AIRLINE PART NUMBER	NOMENCLATURE	EFF CODE	QTY PER ASSY
05-60A	315T3722-9		1234567 ..BELLCRANK ASSY- (USED ON ITEM 10A)	A,C,E ,G, J-P, S-U,A A,AE, AG AJ,AL ,AN,A Q,AS, AU,AW ,AY BA,BC ,BE-B G,B L-BN, BS-CB CN-CX ,DJ,D L,DN, DQ,DS ,DU DW,DY ,EA, EC,EE ,EG,E J,EL EN,EQ ,ES,E U,EW, EY,F A-FC FE,FJ ,FL,F N,FQ,	1

78-31-14

ILLUSTRATED PARTS LIST
 01.1 Page 1044X
 Jul 01/04

015T0438
 315T3001
 315T4726
 315T3055

 **BOEING**
 COMPONENT
 MAINTENANCE MANUAL

FIG. & ITEM	PART NO.	AIRLINE PART NUMBER	NOMENCLATURE 1234567	EFF CODE	QTY PER ASSY
05-				FS, FU ,FW FY, GA ,GC, GE, GG ,GJ, G L, GN GQ, GS ,GT, G W, GY, HA, HC JD- JG ,JM- J Q	

78-31-14

ILLUSTRATED PARTS LIST
 01.1 Page 1044Y
 Jul 01/04

FIG. & ITEM	PART NO.	AIRLINE PART NUMBER	NOMENCLATURE	EFF CODE	QTY PER ASSY
05-65	315T3722-2		1234567 ..BELLCRANK ASSY- (USED ON ITEMS 15, 15B)	B,D,F ,H,Q, R,V-Z ,AB-A D,AF AH,AK ,AM,A P,AR, AT,AV ,AX AZ,BB ,BD,B H-BK, BP-BR CC-CM ,CY-D H,DK, DM,DP ,DR DT,DV ,DX,D Z,EB, ED,EF ,EH EK,EM ,EP,E R,ET, EV,EX ,EZ FD,FF ,FG,F H,FK, FM,FP ,FR	1

78-31-14

ILLUSTRATED PARTS LIST
 01.1 Page 1044Z
 Jul 01/04

015T0438
 315T3001
 315T4726
 315T3055

 **BOEING**
 COMPONENT
 MAINTENANCE MANUAL

FIG. & ITEM	PART NO.	AIRLINE PART NUMBER	NOMENCLATURE 1234567	EFF CODE	QTY PER ASSY
05-				FT, FV ,FX, F Z, GB, GD, GF ,GH GK, GM ,GP, G R, GU, GV, GX ,GZ HB, HD ,JH-J L, J R-JU	

78-31-14

ILLUSTRATED PARTS LIST

01.1

Page 1045

Jul 01/04

FIG. & ITEM	PART NO.	AIRLINE PART NUMBER	NOMENCLATURE	EFF CODE	QTY PER ASSY
05-65A	315T3722-10		1234567 ..BELLCRANK ASSY- (USED ON ITEM 15A)	B,D,F ,H,Q, R,V-Z ,AB-A D,AF AH,AK ,AM,A P,AR, AT,AV ,AX AZ,BB ,BD,B H-BK, BP-BR CC-CM ,CY-D H,DK, DM,DP ,DR DT,DV ,DX,D Z,EB, ED,EF ,EH EK,EM ,EP,E R,ET, EV,EX ,EZ FD,FF ,FG,F H,FK, FM,FP ,FR	1

78-31-14

ILLUSTRATED PARTS LIST
 01.1 Page 1046
 Jul 01/04

015T0438
 315T3001
 315T4726
 315T3055

 **BOEING**
 COMPONENT
 MAINTENANCE MANUAL

FIG. & ITEM	PART NO.	AIRLINE PART NUMBER	NOMENCLATURE	EFF CODE	QTY PER ASSY
05-			1234567		
70	KP4ANJC		... BEARING- (V06144) (SPEC BACB10BX4) (OPT KP4AFS428 (V21335)) (OPT KP4A2TS (V43991)) (OPT LLKP4A (V38443)) (OPT KP4AG27 (V30163)) (OPT KP4A (V38443)) (OPT KP4ALY196 (V40920)) (OPT KP4ASD610 (V83086)) (OPT CS204E (VK8455)) (OPT KP4A (V21760))	FT, FV , FX, F Z, GB, GD, GF , GH GK, GM , GP, G R, GU, GV, GX , GZ HB, HD , JH-J L, J R-JU	1

78-31-14

ILLUSTRATED PARTS LIST
 01.1 Page 1046A
 Jul 01/04

FIG. & ITEM	PART NO.	AIRLINE PART NUMBER	NOMENCLATURE 1234567	EFF CODE	QTY PER ASSY
05-					
75	BACB28AP04P012		...BUSHING		1
80	BACB28AP06P012		...BUSHING		1
85	HL1012AZ6-6		...BOLT- (V97928) (SPEC BACB30NX6K6) (OPT HL12VAZ6-6 (V73197)) (OPT HL12VAZ6-6 (V92215)) (OPT HL12VAZ6-6 (V97928)) (OPT L802-6K6 (V06725)) (OPT HL12VAZ6-6 (V56878)) (OPT HL1012AZ6-6 (V0PTK6)) (OPT HL1012AZ6-6 (V06725)) (OPT HL1012AZ6-6 (V06950)) (OPT HL1012AZ6-6 (V17446)) (OPT HL1012AZ6-6 (V56878)) (OPT HL1012AZ6-6 (V60516)) (OPT HL1012AZ6-6 (V73197))		1

78-31-14

 ILLUSTRATED PARTS LIST
 01.1 Page 1046B
 Jul 01/04

015T0438
 315T3001
 315T4726
 315T3055

 **BOEING**
 COMPONENT
 MAINTENANCE MANUAL

FIG. & ITEM	PART NO.	AIRLINE PART NUMBER	NOMENCLATURE 1234567	EFF CODE	QTY PER ASSY
05-					
90	NAS43DD3-8		...SPACER		1
95	BACW10P69S		...WASHER		1
100	HL1187DUW6		...COLLAR- (V5M902) (SPEC BACC30X6SW) (OPT HL87DUW6 (V73197)) (OPT HL87DUW6 (V92215)) (OPT HL1187DUW6 (V56878)) (OPT HL1187DUW6 (V92215)) (OPT HL87DUW6 (V56878)) (OPT HL1187DUW6 (V73197))		1

78-31-14

ILLUSTRATED PARTS LIST
 01.1 Page 1046C
 Jul 01/04

FIG. & ITEM	PART NO.	AIRLINE PART NUMBER	NOMENCLATURE	EFF CODE	QTY PER ASSY
05-105	315T3722-7		1234567 ...BELLCRANK ASSY- (USED ON ITEM 60)	A,C,E ,G, J-P, S-U,A A,AE, AG AJ,AL ,AN,A Q,AS, AU,AW ,AY BA,BC ,BE-B G,B L-BN, BS-CB CN-CX ,DJ,D L,DN, DQ,DS ,DU DW,DY ,EA, EC,EE ,EG,E J,EL EN,EQ ,ES,E U,EW, EY,F A-FC FE,FJ ,FL,F N,FQ,	1

78-31-14

ILLUSTRATED PARTS LIST
 01.1 Page 1046D
 Jul 01/04

015T0438
 315T3001
 315T4726
 315T3055

 **BOEING**
 COMPONENT
 MAINTENANCE MANUAL

FIG. & ITEM	PART NO.	AIRLINE PART NUMBER	NOMENCLATURE 1234567	EFF CODE	QTY PER ASSY
05-				FS, FU ,FW FY, GA ,GC, GE, GG ,GJ, G L, GN GQ, GS ,GT, G W, GY, HA, HC JD- JG ,JM- J Q	

78-31-14

ILLUSTRATED PARTS LIST
 01.1 Page 1046E
 Jul 01/04

FIG. & ITEM	PART NO.	AIRLINE PART NUMBER	NOMENCLATURE	EFF CODE	QTY PER ASSY
05-105A	315T3722-11		1234567 ...BELLCRANK ASSY- (USED ON ITEM 60A)	A,C,E ,G, J-P, S-U,A A,AE, AG AJ,AL ,AN,A Q,AS, AU,AW ,AY BA,BC ,BE-B G,B L-BN, BS-CB CN-CX ,DJ,D L,DN, DQ,DS ,DU DW,DY ,EA, EC,EE ,EG,E J,EL EN,EQ ,ES,E U,EW, EY,F A-FC FE,FJ ,FL,F N,FQ,	1

78-31-14

015T0438
 315T3001
 315T4726
 315T3055

 **BOEING**
 COMPONENT
 MAINTENANCE MANUAL

FIG. & ITEM	PART NO.	AIRLINE PART NUMBER	NOMENCLATURE 1234567	EFF CODE	QTY PER ASSY
05-				FS, FU ,FW FY, GA ,GC, GE, GG ,GJ, G L, GN GQ, GS ,GT, G W, GY, HA, HC JD-JG ,JM-J Q	

78-31-14

ILLUSTRATED PARTS LIST
 01.1 Page 1046G
 Jul 01/04

FIG. & ITEM	PART NO.	AIRLINE PART NUMBER	NOMENCLATURE	EFF CODE	QTY PER ASSY
05-110	315T3722-8		1234567 ...BELLCRANK ASSY- (USED ON ITEM 65)	B,D,F ,H,Q, R,V-Z ,AB-A D,AF AH,AK ,AM,A P,AR, AT,AV ,AX AZ,BB ,BD,B H-BK, BP-BR CC-CM ,CY-D H,DK, DM,DP ,DR DT,DV ,DX,D Z,EB, ED,EF ,EH EK,EM ,EP,E R,ET, EV,EX ,EZ FD,FF ,FG,F H,FK, FM,FP ,FR	1

78-31-14

ILLUSTRATED PARTS LIST
 01.1 Page 1046H
 Jul 01/04

015T0438
 315T3001
 315T4726
 315T3055

 **BOEING**
 COMPONENT
 MAINTENANCE MANUAL

FIG. & ITEM	PART NO.	AIRLINE PART NUMBER	NOMENCLATURE 1234567	EFF CODE	QTY PER ASSY
05-				FT,FV ,FX,F Z,GB, GD,GF ,GH GK,GM ,GP,G R,GU, GV,GX ,GZ HB,HD ,JH-J L,J R-JU	

78-31-14

ILLUSTRATED PARTS LIST
 01.1 Page 1046I
 Jul 01/04

FIG. & ITEM	PART NO.	AIRLINE PART NUMBER	NOMENCLATURE	EFF CODE	QTY PER ASSY
05-110A	315T3722-12		1234567 ...BELLCRANK ASSY- (USED ON ITEM 65A)	B,D,F ,H,Q, R,V-Z ,AB-A D,AF AH,AK ,AM,A P,AR, AT,AV ,AX AZ,BB ,BD,B H-BK, BP-BR CC-CM ,CY-D H,DK, DM,DP ,DR DT,DV ,DX,D Z,EB, ED,EF ,EH EK,EM ,EP,E R,ET, EV,EX ,EZ FD,FF ,FG,F H,FK, FM,FP ,FR	1

78-31-14

ILLUSTRATED PARTS LIST
 01.1 Page 1046J
 Jul 01/04

015T0438
 315T3001
 315T4726
 315T3055

 **BOEING**
 COMPONENT
 MAINTENANCE MANUAL

FIG. & ITEM	PART NO.	AIRLINE PART NUMBER	NOMENCLATURE	EFF CODE	QTY PER ASSY
			1234567		
05-				FT, FV , FX, F Z, GB, GD, GF , GH GK, GM , GP, G R, GU, GV, GX , GZ HB, HD , JH-J L, J R-JU	
115	VTB04540	BEARING ASSY- (V06710) (SPEC S302T001-301A) (OPT USB4-136 (V02758)) (OPT P21620 (V57606)) (FOR DETAILS SEE FIG. 81)		1
115A -115B	S302T001-301A USB4-136		DELETEDBEARING ASSY- (V02758) (SPEC S302T001-301A) (OPT P21620 (V57606)) (OPT VTB04540 (V06710))		1

78-31-14

ILLUSTRATED PARTS LIST
 01.1 Page 1046K
 Jul 01/04

FIG. & ITEM	PART NO.	AIRLINE PART NUMBER	NOMENCLATURE	EFF CODE	QTY PER ASSY
05-120	315T3722-3		1234567 BELLCRANK- (USED ON ITEM 105)	A,C,E ,G, J-P, S-U,A A,AE, AG AJ,AL ,AN,A Q,AS, AU,AW ,AY BA,BC ,BE-B G,B L-BN, BS-CB CN-CX ,DJ,D L,DN, DQ,DS ,DU DW,DY ,EA, EC,EE ,EG,E J,EL EN,EQ ,ES,E U,EW, EY,F A-FC FE,FJ ,FL,F N,FQ,	1

78-31-14

015T0438
 315T3001
 315T4726
 315T3055

 **BOEING**
 COMPONENT
 MAINTENANCE MANUAL

FIG. & ITEM	PART NO.	AIRLINE PART NUMBER	NOMENCLATURE 1234567	EFF CODE	QTY PER ASSY
05-				FS, FU ,FW FY, GA ,GC, GE, GG ,GJ, G L, GN GQ, GS ,GT, G W, GY, HA, HC JD- JG ,JM- J Q	

78-31-14

ILLUSTRATED PARTS LIST
 01.1 Page 1046M
 Jul 01/04

FIG. & ITEM	PART NO.	AIRLINE PART NUMBER	NOMENCLATURE	EFF CODE	QTY PER ASSY
05-120A	315T3722-11		1234567 BELLCRANK ASSY- (USED ON ITEM 105A)	A,C,E ,G, J-P, S-U,A A,AE, AG AJ,AL ,AN,A Q,AS, AU,AW ,AY BA,BC ,BE-B G,B L-BN, BS-CB CN-CX ,DJ,D L,DN, DQ,DS ,DU DW,DY ,EA, EC,EE ,EG,E J,EL EN,EQ ,ES,E U,EW, EY,F A-FC FE,FJ ,FL,F N,FQ,	1

78-31-14

ILLUSTRATED PARTS LIST
 01.1 Page 1046N
 Jul 01/04

015T0438
 315T3001
 315T4726
 315T3055

 **BOEING**
 COMPONENT
 MAINTENANCE MANUAL

FIG. & ITEM	PART NO.	AIRLINE PART NUMBER	NOMENCLATURE 1234567	EFF CODE	QTY PER ASSY
05-				FS, FU ,FW FY, GA ,GC, GE, GG ,GJ, G L, GN GQ, GS ,GT, G W, GY, HA, HC JD- JG ,JM- J Q	

78-31-14

ILLUSTRATED PARTS LIST
 01.1 Page 10460
 Jul 01/04

FIG. & ITEM	PART NO.	AIRLINE PART NUMBER	NOMENCLATURE	EFF CODE	QTY PER ASSY
05-125	315T3722-4		1234567 BELLCRANK- (USED ON ITEM 110)	B,D,F ,H,Q, R,V-Z ,AB-A D,AF AH,AK ,AM,A P,AR, AT,AV ,AX AZ,BB ,BD,B H-BK, BP-BR CC-CM ,CY-D H,DK, DM,DP ,DR DT,DV ,DX,D Z,EB, ED,EF ,EH EK,EM ,EP,E R,ET, EV,EX ,EZ FD,FF ,FG,F H,FK, FM,FP ,FR	1

78-31-14

ILLUSTRATED PARTS LIST
 01.1 Page 1046P
 Jul 01/04

015T0438
 315T3001
 315T4726
 315T3055

 **BOEING**
 COMPONENT
 MAINTENANCE MANUAL

FIG. & ITEM	PART NO.	AIRLINE PART NUMBER	NOMENCLATURE 1234567	EFF CODE	QTY PER ASSY
05-				FT,FV ,FX,F Z,GB, GD,GF ,GH GK,GM ,GP,G R,GU, GV,GX ,GZ HB,HD ,JH-J L,J R-JU	

78-31-14

ILLUSTRATED PARTS LIST
 01.1 Page 1046Q
 Jul 01/04

FIG. & ITEM	PART NO.	AIRLINE PART NUMBER	NOMENCLATURE	EFF CODE	QTY PER ASSY
05-125A	315T3722-14		1234567 BELLCRANK- (USED ON ITEM 110A)	B,D,F ,H,Q, R,V-Z ,AB-A D,AF AH,AK ,AM,A P,AR, AT,AV ,AX AZ,BB ,BD,B H-BK, BP-BR CC-CM ,CY-D H,DK, DM,DP ,DR DT,DV ,DX,D Z,EB, ED,EF ,EH EK,EM ,EP,E R,ET, EV,EX ,EZ FD,FF ,FG,F H,FK, FM,FP ,FR	1

78-31-14

ILLUSTRATED PARTS LIST
 01.1 Page 1046R
 Jul 01/04

015T0438
 315T3001
 315T4726
 315T3055

 **BOEING**
 COMPONENT
 MAINTENANCE MANUAL

FIG. & ITEM	PART NO.	AIRLINE PART NUMBER	NOMENCLATURE	EFF CODE	QTY PER ASSY
05-			1234567		
				FT, FV , FX, F Z, GB, GD, GF , GH GK, GM , GP, G R, GU, GV, GX , GZ HB, HD , JH-J L, J R-JU	
127	NAS43DD3-8		..SPACER- (USED ON ITEMS 10, 10A, 10B, 15, 15A, 15B)		1
-127A	NAS43DD3-12		..SPACER- (USED ON ITEMS 10C, 15C)		1

78-31-14

ILLUSTRATED PARTS LIST
 01.1 Page 1046S
 Jul 01/04

FIG. & ITEM	PART NO.	AIRLINE PART NUMBER	NOMENCLATURE	EFF CODE	QTY PER ASSY
05-130	315T3701-7001		1234567 .COLLECTOR ASSY-COMMON PT	A,C,E ,G, J-P, S-U,A A,AE, AG AJ,AL ,AN,A Q,AS, AU,AW ,AY BA,BC ,BE-B G,B L-BN, BS-CB CN-CX ,DJ,D L,DN, DQ,DS ,DU DW,DY ,EA, EC,EE ,EG,E J,EL EN,EQ ,ES,E U,EW, EY,F A-FC FE,FJ ,FL,F N,FQ,	1

78-31-14

ILLUSTRATED PARTS LIST
 01.1 Page 1046T
 Jul 01/04

015T0438
 315T3001
 315T4726
 315T3055

 **BOEING**
 COMPONENT
 MAINTENANCE MANUAL

FIG. & ITEM	PART NO.	AIRLINE PART NUMBER	NOMENCLATURE 1234567	EFF CODE	QTY PER ASSY
05-				FS, FU ,FW FY, GA ,GC, GE, GG ,GJ, G L, GN GQ, GS ,GT, G W, GY, HA, HC JD- JG ,JM- J Q	

78-31-14

ILLUSTRATED PARTS LIST
 01.1 Page 1046U
 Jul 01/04

FIG. & ITEM	PART NO.	AIRLINE PART NUMBER	NOMENCLATURE	EFF CODE	QTY PER ASSY
05-135	315T3701-7002		1234567 .COLLECTOR ASSY-COMMON PT	B,D,F ,H,Q, R,V-Z ,AB-A D,AF AH,AK ,AM,A P,AR, AT,AV ,AX AZ,BB ,BD,B H-BK, BP-BR CC-CM ,CY-D H,DK, DM,DP ,DR DT,DV ,DX,D Z,EB, ED,EF ,EH EK,EM ,EP,E R,ET, EV,EX ,EZ FD,FF ,FG,F H,FK, FM,FP ,FR	1

78-31-14

ILLUSTRATED PARTS LIST
 01.1 Page 1046V
 Jul 01/04

015T0438
 315T3001
 315T4726
 315T3055

 **BOEING**
 COMPONENT
 MAINTENANCE MANUAL

FIG. & ITEM	PART NO.	AIRLINE PART NUMBER	NOMENCLATURE	EFF CODE	QTY PER ASSY
05-			1234567		
140	BACB30LE4-10		..BOLT	FT, FV ,FX, F Z, GB, GD, GF ,GH GK, GM ,GP, G R, GU, GV, GX ,GZ HB, HD ,JH-J L, J R-JU	1
145	HL441UC8-11		..BOLT- (V60516) (SPEC BACB30FM8A11) (OPT HL440UC8-11 (V73197)) (OPT HL440UC8-11 (V92215)) (OPT HL440UC8-11 (V97928)) (OPT HL440UC8-11 (V80539)) (OPT WC130-8-11 (V60516)) (OPT 67067-8A11 (V56878)) (OPT L8058A11 (V06725)) (OPT HL440UC8-11 (V56878))		1

78-31-14

ILLUSTRATED PARTS LIST
 01.1 Page 1046W
 Jul 01/04

FIG. & ITEM	PART NO.	AIRLINE PART NUMBER	NOMENCLATURE	EFF CODE	QTY PER ASSY
05-			1234567		
150	BACW10P321S		..WASHER		1
155	AN960-416		..WASHER		2
160	NAS1805-4N		..NUT		2
165	BACB28AK04-020		..BUSHING		1
170	315T1015-1		..RETAINER-BOLT		1
175	315T3706-1		..RETAINER-BOLT	A,C,E ,G, J-P, S-U,A A,AE, AG AJ,AL ,AN,A Q,AS, AU,AW ,AY BA,BC ,BE-B G,B L-BN, BS-CB CN-CX ,DJ,D L,DN, DQ,DS ,DU DW,DY ,EA, EC,EE ,EG,E J,EL EN,EQ ,ES,E U,EW, EY,F A-FC FE,FJ ,FL,F N,FQ,	1

78-31-14

 ILLUSTRATED PARTS LIST
 01.1 Page 1046X
 Jul 01/04

015T0438
 315T3001
 315T4726
 315T3055

 **BOEING**
 COMPONENT
 MAINTENANCE MANUAL

FIG. & ITEM	PART NO.	AIRLINE PART NUMBER	NOMENCLATURE 1234567	EFF CODE	QTY PER ASSY
05-				FS, FU ,FW FY, GA ,GC, GE, GG ,GJ, G L, GN GQ, GS ,GT, G W, GY, HA, HC JD- JG ,JM- J Q	

78-31-14

ILLUSTRATED PARTS LIST
 01.1 Page 1046Y
 Jul 01/04

FIG. & ITEM	PART NO.	AIRLINE PART NUMBER	NOMENCLATURE 1234567	EFF CODE	QTY PER ASSY
05-180	315T3706-2		..RETAINER-BOLT	B,D,F ,H,Q, R,V-Z ,AB-A D,AF AH,AK ,AM,A P,AR, AT,AV ,AX AZ,BB ,BD,B H-BK, BP-BR CC-CM ,CY-D H,DK, DM,DP ,DR DT,DV ,DX,D Z,EB, ED,EF ,EH EK,EM ,EP,E R,ET, EV,EX ,EZ FD,FF ,FG,F H,FK, FM,FP ,FR	1

78-31-14

ILLUSTRATED PARTS LIST
 01.1 Page 1046Z
 Jul 01/04

015T0438
 315T3001
 315T4726
 315T3055

 **BOEING**
 COMPONENT
 MAINTENANCE MANUAL

FIG. & ITEM	PART NO.	AIRLINE PART NUMBER	NOMENCLATURE	EFF CODE	QTY PER ASSY
05-			1234567		
				FT, FV ,FX, F Z, GB, GD, GF , GH GK, GM , GP, G R, GU, GV, GX , GZ HB, HD , JH-J L, J R-JU	
185	BACB30LH3-21		DELETED		
185A	BACB30LU3-21		..BOLT		1
190	NAS43DD3-8		DELETED		
195	AN960PD416L		..WASHER		AR
200	BACW10P69S		..WASHER		1
205	AN960-10		..WASHER		1
210	BRH10C3M		..NUT- (V52828) (SPEC BACN10JC3CM) (OPT T6C1032JM (V11815)) (OPT 97E02 (V80539)) (OPT 109LH9075-3W (V72962)) (OPT VN303D02 (V92215)) (OPT NS202101SE02 (V80539)) (OPT H01-3BAC (V15653))		1

78-31-14

ILLUSTRATED PARTS LIST
 01.1 Page 1047
 Jul 01/04

FIG. & ITEM	PART NO.	AIRLINE PART NUMBER	NOMENCLATURE 1234567	EFF CODE	QTY PER ASSY
05-					
215	315T3723-1		..TARGET		1
220	BACB30LE4-58		..BOLT		1
225	NAS43HT4-139		..SPACER		1
230	BACW10BP4AP		..WASHER		1
235	BACW10BP4AC		..WASHER		1
240	NAS1805-4N		..NUT		1
245	BACB28AK04-053		..BUSHING		1
250	315T1015-3		DELETED		
255	KP4ANJC		..BEARING- (V06144) (SPEC BACB10BX4) (OPT KP4AFS428 (V21335)) (OPT KP4A2TS (V43991)) (OPT LLKP4A (V38443)) (OPT KP4AG27 (V30163)) (OPT KP4A (V38443)) (OPT KP4ALY196 (V40920)) (OPT KP4ASD610 (V83086)) (OPT CS204E (VK8455)) (OPT KP4A (V21760))		1

78-31-14

 ILLUSTRATED PARTS LIST
 01.1 Page 1048
 Jul 01/04

015T0438
 315T3001
 315T4726
 315T3055

 **BOEING**
 COMPONENT
 MAINTENANCE MANUAL

FIG. & ITEM	PART NO.	AIRLINE PART NUMBER	NOMENCLATURE	EFF CODE	QTY PER ASSY
05-260	315T3632-1		1234567 ..SPRING	A,C,E ,G, J-P, S-U,A A,AE, AG AJ,AL ,AN,A Q,AS, AU,AW ,AY BA,BC ,BE-B G,B L-BN, BS-CB CN-CX ,DJ,D L,DN, DQ,DS ,DU DW,DY ,EA, EC,EE ,EG,E J,EL EN,EQ ,ES,E U,EW, EY,F A-FC FE,FJ ,FL,F N,FQ,	1

78-31-14

ILLUSTRATED PARTS LIST
 01.1 Page 1048A
 Jul 01/04

FIG. & ITEM	PART NO.	AIRLINE PART NUMBER	NOMENCLATURE 1234567	EFF CODE	QTY PER ASSY
05-				FS, FU ,FW FY, GA ,GC, GE, GG ,GJ, G L, GN GQ, GS ,GT, G W, GY, HA, HC JD-JG ,JM-J Q	

78-31-14

ILLUSTRATED PARTS LIST
 01.1 Page 1048B
 Jul 01/04

015T0438
 315T3001
 315T4726
 315T3055

 **BOEING**
 COMPONENT
 MAINTENANCE MANUAL

FIG. & ITEM	PART NO.	AIRLINE PART NUMBER	NOMENCLATURE	EFF CODE	QTY PER ASSY
05- -265	315T3632-2		1234567 ..SPRING	B,D,F ,H,Q, R,V-Z ,AB-A D,AF AH,AK ,AM,A P,AR, AT,AV ,AX AZ,BB ,BD,B H-BK, BP-BR CC-CM ,CY-D H,DK, DM,DP ,DR DT,DV ,DX,D Z,EB, ED,EF ,EH EK,EM ,EP,E R,ET, EV,EX ,EZ FD,FF ,FG,F H,FK, FM,FP ,FR	1

78-31-14

ILLUSTRATED PARTS LIST
 01.1 Page 1048C
 Jul 01/04

FIG. & ITEM	PART NO.	AIRLINE PART NUMBER	NOMENCLATURE 1234567	EFF CODE	QTY PER ASSY
05-				FT,FV ,FX,F Z,GB, GD,GF ,GH GK,GM ,GP,G R,GU, GV,GX ,GZ HB,HD ,JH-J L,J R-JU	

78-31-14

015T0438
 315T3001
 315T4726
 315T3055

 **BOEING**
 COMPONENT
 MAINTENANCE MANUAL

FIG. & ITEM	PART NO.	AIRLINE PART NUMBER	NOMENCLATURE	EFF CODE	QTY PER ASSY
05-270	315T3632-3		1234567 ..SPRING	A,C,E ,G, J-P, S-U,A A,AE, AG AJ,AL ,AN,A Q,AS, AU,AW ,AY BA,BC ,BE-B G,B L-BN, BS-CB CN-CX ,DJ,D L,DN, DQ,DS ,DU DW,DY ,EA, EC,EE ,EG,E J,EL EN,EQ ,ES,E U,EW, EY,F A-FC FE,FJ ,FL,F N,FQ,	1

78-31-14

ILLUSTRATED PARTS LIST
 01.1 Page 1048E
 Jul 01/04

FIG. & ITEM	PART NO.	AIRLINE PART NUMBER	NOMENCLATURE 1234567	EFF CODE	QTY PER ASSY
05-				FS, FU ,FW FY, GA ,GC, GE, GG ,GJ, G L, GN GQ, GS ,GT, G W, GY, HA, HC JD-JG ,JM-J Q	

78-31-14

015T0438
 315T3001
 315T4726
 315T3055

 **BOEING**
 COMPONENT
 MAINTENANCE MANUAL

FIG. & ITEM	PART NO.	AIRLINE PART NUMBER	NOMENCLATURE	EFF CODE	QTY PER ASSY
05- -275	315T3632-4		1234567 ..SPRING	B,D,F ,H,Q, R,V-Z ,AB-A D,AF AH,AK ,AM,A P,AR, AS,AU ,AW AY,BA ,BC,B E-BG, BL-BN CC-CM ,CY-D H,DK, DM,DP ,DR DT,DV ,DX,D Z,EB, ED,EF ,EH EK,EM ,EP,E R,ET, EV,EX ,EZ FD,FF ,FG,F H,FK, FM,FP ,FR	1

78-31-14

ILLUSTRATED PARTS LIST
 01.1 Page 1048G
 Jul 01/04

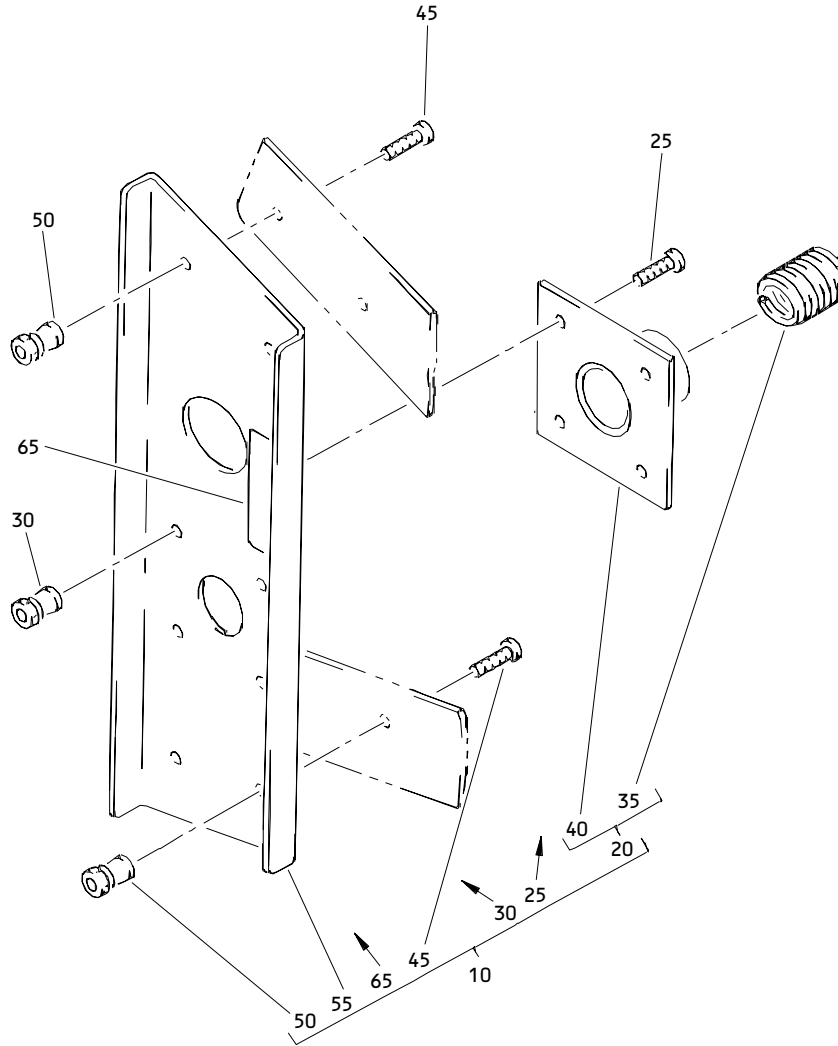
FIG. & ITEM	PART NO.	AIRLINE PART NUMBER	NOMENCLATURE	EFF CODE	QTY PER ASSY
05-			1234567		
				FT, FV ,FX, F Z, GB, GD, GF , GH GK, GM , GP, G R, GU, GV, GX , GZ HB, HD , JH-J L, J R-JU	
280	BACR15BB3AD		..RIVET- (SIZE DETERMINE ON INST)		2
285	315T3701-5		..SPACER		1
R 290	BACS40R011B017F		..SHIM		1

- Item Not Illustrated

*[1] 78-31-14-05 ITEM 20 LINK ASSY USED WITH 78-31-14-02
ITEM 255A ACTUATOR.

*[2] 78-31-14-05 ITEM 20A LINK ASSY USED WITH 78-31-14-02
ITEM 255B ACTUATOR OPTIONAL TO 78-31-14-05 ITEM 20B LINK
ASSY USED WITH 78-31-14-02 ITEM 255C ACTUATOR.

78-31-14



Deactivation Pin Storage Bracket Installation
Figure 6

78-31-14

ILLUSTRATED PARTS LIST
01.1 Page 1048J
Jul 01/04

015T0438
 315T3001
 315T4726
 315T3055

 **BOEING**
 COMPONENT
 MAINTENANCE MANUAL

FIG. & ITEM	PART NO.	AIRLINE PART NUMBER	NOMENCLATURE	EFF CODE	QTY PER ASSY
06-1	315T3156-1		1234567 BRACKET INSTL-DEACTIVATION PIN STOWAGE	E,G, L-P, S-U,A A,AE, AG,AJ AL,AN ,AQ,A S,AU, AW,AY ,BA BC,B E-BG, BL-BN ,BT,B V-CB CP,C R-CX, DJ,DL ,DN,D Q,DS DU,DW ,DY, EA,EC ,EN,E Q FA-FC ,FE,F J,FL, FN,FQ ,FS FU,FW ,FY, GA,GC ,GE,G	RF

78-31-14

ILLUSTRATED PARTS LIST
 01.1 Page 1048K
 Jul 01/04

FIG. & ITEM	PART NO.	AIRLINE PART NUMBER	NOMENCLATURE 1234567	EFF CODE	QTY PER ASSY
06-				G,GJ GL,GN ,GQ,G S,GU, GW,GY ,HA HC,HG ,HH,H K,HL, HS,HT ,HV HW,J D-JG, JM-JQ	

78-31-14

015T0438
 315T3001
 315T4726
 315T3055

 **BOEING**
 COMPONENT
 MAINTENANCE MANUAL

FIG. & ITEM	PART NO.	AIRLINE PART NUMBER	NOMENCLATURE	EFF CODE	QTY PER ASSY
06-5	315T3156-2		1234567 BRACKET INSTL-DEACTIVATION PIN STOWAGE	Q,R, V-Z,A B-AD, AF,AH ,AK,A M AP,AR ,AT,A V,AX, AZ,BB ,BD BH-BK ,BP-B R,C E-CM, DA-DH DK,DM ,DP,D R,DT, DV,DX ,DZ EB,ED ,EP,E R,FD, FF-FH ,FK FM,FP ,FR,F T,FV, FX,FZ ,GB GD,GF ,GH,G K,GM, GP,GR GT-GV ,GX,G Z,HD, HM-HQ HX-JA ,JH-J L,J R-JU	RF

78-31-14

ILLUSTRATED PARTS LIST
 01.1 Page 1048M
 Jul 01/04

FIG. & ITEM	PART NO.	AIRLINE PART NUMBER	NOMENCLATURE	EFF CODE	QTY PER ASSY
06-10	315T3156-5		.BRACKET ASSY	E,G, L-P, S-U,A A,AE, AG,AJ AL,AN ,AQ,A S,AU, AW,AY ,BA BC,B E-BG, BL-BN ,BT,B V-CB CP,C R-CX, DJ,DL ,DN,D Q,DS DU,DW ,DY, EA,EC ,EN,E Q FA-FC ,FE,F J,FL, FN,FQ ,FS FU,FW ,FY, GA,GC ,GE,G	1

78-31-14

 ILLUSTRATED PARTS LIST
 01.1 Page 1048N
 Jul 01/04

015T0438
 315T3001
 315T4726
 315T3055

 **BOEING**
 COMPONENT
 MAINTENANCE MANUAL

FIG. & ITEM	PART NO.	AIRLINE PART NUMBER	NOMENCLATURE 1234567	EFF CODE	QTY PER ASSY
06-				G,GJ GL,GN ,GQ,G S,GU, GW,GY ,HA HC,HG ,HH,H K,HL, HS,HT ,HV HW,J D-JG, JM-JQ	

78-31-14

ILLUSTRATED PARTS LIST
 01.1 Page 10480
 Jul 01/04

FIG. & ITEM	PART NO.	AIRLINE PART NUMBER	NOMENCLATURE	EFF CODE	QTY PER ASSY
06-15	315T3156-6		.BRACKET ASSY	Q,R, V-Z,A B-AD, AF,AH ,AK,A M AP,AR ,AT,A V,AX, AZ,BB ,BD BH-BK ,BP-B R,C F-CM, DA-DH DK,DM ,DP,D R,DT, DV,DX ,DZ EB,ED ,EP,E R,FD, FF-FH ,FK FM,FP ,FR,F T,FV, FX,FZ ,GB GD,GF ,GH,G K,GM, GP,GR GT-GV ,GX,G Z,HD, HM-HQ HX-JA ,JH-J L,J R-JU	1

78-31-14

 ILLUSTRATED PARTS LIST
 01.1 Page 1048P
 Jul 01/04

015T0438
 315T3001
 315T4726
 315T3055

 **BOEING**
 COMPONENT
 MAINTENANCE MANUAL

FIG. & ITEM	PART NO.	AIRLINE PART NUMBER	NOMENCLATURE 1234567	EFF CODE	QTY PER ASSY
06-20	315T3245-1		..RETAINER ASSY	E,G, L-BR, BT,B V-CB, CE-CM CP,CM R-CX, DA-DH ,DJ- ED EN-ER ,FA- HD,HG ,HH,H K-HQ HS,HT ,HV- JA,J D-JU	1
25	HL10VAZ5-3		ATTACHING PARTS ..BOLT- (V60516) (SPEC BACB30MY5K3) (OPT B30MY5K3 (V97928))	E,G, L-BR, BT,B V-CB, CE-CM CP,CM R-CX, DA-DH ,DJ- ED EN-ER ,FA- HD,HG ,HH,H K-HQ HS,HT ,HV- JA,J D-JU	4

78-31-14

ILLUSTRATED PARTS LIST
 01.1 Page 1048Q
 Jul 01/04

FIG. & ITEM	PART NO.	AIRLINE PART NUMBER	NOMENCLATURE	EFF CODE	QTY PER ASSY
06-30	HL70-5		1234567 ..COLLAR- (V5M902) (SPEC BACC30M5) (OPT HL70-5 (V73197)) (OPT HL70-5 (V92215)) (OPT 66014-5 (V56878)) (OPT HL70-5 (V56878))	E,G, L-BR, BT,B V-CB, CE-CM CP,CM R-CX, DA-DH ,DJ- ED EN-ER ,FA- HD,HG ,HH,H K-HQ HS,HT ,HV- JA,J D-JU	4
35	MS21209F8-10		-----*----- ...INSERT	E,G, L-BR, BT,B V-CB, CE-CM CP,CM R-CX, DA-DH ,DJ- ED EN-ER ,FA- HD,HG ,HH,H K-HQ HS,HT ,HV- JA,J D-JU	1

78-31-14

 ILLUSTRATED PARTS LIST
 01.1 Page 1048R
 Jul 01/04

015T0438
 315T3001
 315T4726
 315T3055

 **BOEING**
 COMPONENT
 MAINTENANCE MANUAL

FIG. & ITEM	PART NO.	AIRLINE PART NUMBER	NOMENCLATURE 1234567	EFF CODE	QTY PER ASSY
06-40	315T3245-2		...RETAINER	E,G, L-BR, BT,B V-CB, CE-CM CP,CM R-CX, DA-DH ,DJ- ED EN-ER ,FA- HD,HG ,HH,H K-HQ HS,HT ,HV- JA	1
45	HL10VAZ6-3		..BOLT- (V60516) (SPEC BACB30MY6K3) (OPT B30MY6K3 (V97928))	E,G, L-BR, BT,B V-CB, CE-CM CP,CM R-CX, DA-DH ,DJ- ED EN-ER ,FA- HD,HG ,HH,H K-HQ HS,HT ,HV- JA,J D-JU	4

78-31-14

ILLUSTRATED PARTS LIST
 01.1 Page 1048S
 Jul 01/04

FIG. & ITEM	PART NO.	AIRLINE PART NUMBER	NOMENCLATURE 1234567	EFF CODE	QTY PER ASSY
06- -45A	HL110AZ6-3		..BOLT-(REWORK) (V60516) (SPEC BACB30MY6K3X) (OPT HL10VAZ6-3X (V73197))	E,G, L-BR, BT,B V-CB, CE-CM CP,CM R-CX, DA-DH ,DJ- ED EN-ER ,FA- HD,HG ,HH,H K-HQ HS,HT ,HV- JA,J D-JU	2
50	HL79-6		..COLLAR- (V5M902) (SPEC BACC30M6) (OPT HL79-6 (V73197)) (OPT HL79-6 (V92215)) (OPT 66014-6 (V56878)) (OPT HL79-6 (V56878))	E,G, L-BR, BT,B V-CB, CE-CM CP,CM R-CX, DA-DH ,DJ- ED EN-ER ,FA- HD,HG ,HH,H K-HQ HS,HT ,HV- JA,J D-JU	3

78-31-14

 ILLUSTRATED PARTS LIST
 01.1 Page 1048T
 Jul 01/04

015T0438
 315T3001
 315T4726
 315T3055

 **BOEING**
 COMPONENT
 MAINTENANCE MANUAL

FIG. & ITEM	PART NO.	AIRLINE PART NUMBER	NOMENCLATURE 1234567	EFF CODE	QTY PER ASSY
06-50A	HL79-6		.. COLLAR-(REWORK) (V5M902) (SPEC BACC30M6) (OPT HL79-6 (V73197)) (OPT HL79-6 (V92215)) (OPT 66014-6 (V56878)) (OPT HL79-6 (V56878))	E,G, L-BR, BT,B V-CB, CE-CM CP,CM R-CX, DA-DH ,DJ- ED EN-ER ,FA- HD,HG ,HH,H K-HQ HS,HT ,HV- JA,J D-JU	2

78-31-14

ILLUSTRATED PARTS LIST
 01.1 Page 1048U
 Jul 01/04

FIG. & ITEM	PART NO.	AIRLINE PART NUMBER	NOMENCLATURE	EFF CODE	QTY PER ASSY
06-55	315T3156-7		1234567 ..CHANNEL	E,G, L-P, S-U,A A,AE, AG,AJ AL,AN ,AQ,A S,AU, AW,AY ,BA BC,B E-BG, BL-BN ,BT,B V-CB CP,C R-CX, DJ,DL ,DN,D Q,DS DU,DW ,DY, EA,EC ,EN,E Q FA-FC ,FE,F J,FL, FN,FQ ,FS FU,FW ,FY, GA,GC ,GE,G	1

78-31-14

ILLUSTRATED PARTS LIST
 01.1 Page 1048V
 Jul 01/04

015T0438
 315T3001
 315T4726
 315T3055

 **BOEING**
 COMPONENT
 MAINTENANCE MANUAL

FIG. & ITEM	PART NO.	AIRLINE PART NUMBER	NOMENCLATURE 1234567	EFF CODE	QTY PER ASSY
06-				G,GJ GL,GN ,GQ,G S,GU, GW,GY ,HA HC,HG ,HH,H K,HL, HS,HT ,HV HW,J D-JG, JM-JQ	

78-31-14

ILLUSTRATED PARTS LIST
 01.1 Page 1048W
 Jul 01/04

FIG. & ITEM	PART NO.	AIRLINE PART NUMBER	NOMENCLATURE	EFF CODE	QTY PER ASSY
06-60	315T3156-8		1234567 ..CHANNEL	Q,R, V-Z,A B-AD, AF,AH ,AK,A M AP,AR ,AT,A V,AX, AZ,BB ,BD BH-BK ,BP-B R,C E-CM, DA-DH DK,DM ,DP,D R,DT, DV,DX ,DZ EB,ED ,EP,E R,FD, FF-FH ,FK FM,FP ,FR,F T,FV, FX,FZ ,GB GD,GF ,GH,G K,GM, GP,GR GT-GV ,GX,G Z,HD, HM-HQ HX-JA ,JH-J L,J R-JU	1

78-31-14

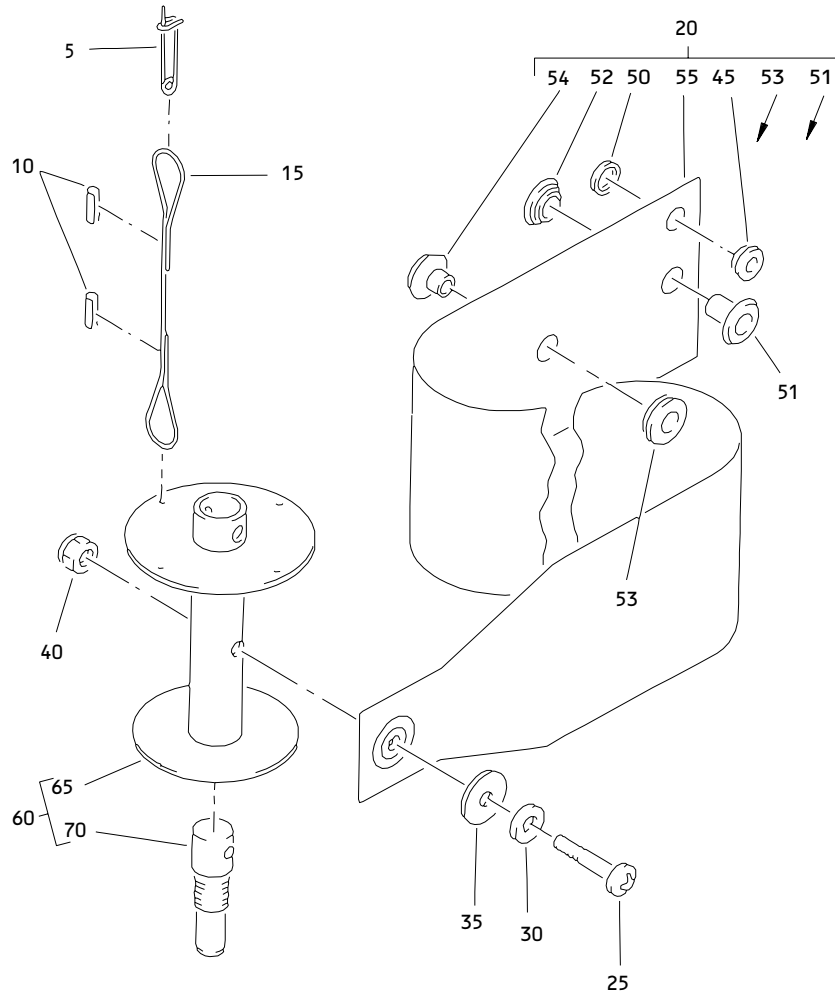
ILLUSTRATED PARTS LIST
 01.1 Page 1048X
 Jul 01/04

015T0438
 315T3001
 315T4726
 315T3055

 **BOEING**
 COMPONENT
 MAINTENANCE MANUAL

FIG. & ITEM	PART NO.	AIRLINE PART NUMBER	NOMENCLATURE	EFF CODE	QTY PER ASSY
06-65	BAC27TTR0006		1234567 ..MARKER-ALUMINUM FOIL-PIN STORAGE	E,G, L-BR, BT,B V-CB, CE-CM CP,CM R-CX, DA-DH ,DJ- ED EN-ER ,FA- HD,HG ,HH,H K-HQ HS,HT ,HV- JA,J D-JU	1

- Item Not Illustrated



Ground Maintenance Deactivation Pin Assembly
 Figure 7

78-31-14

ILLUSTRATED PARTS LIST
 01.1 Page 1048Z
 Jul 01/04

015T0438
 315T3001
 315T4726
 315T3055

 **BOEING**
 COMPONENT
 MAINTENANCE MANUAL

FIG. & ITEM	PART NO.	AIRLINE PART NUMBER	NOMENCLATURE	EFF CODE	QTY PER ASSY
07- -1	315T3157-1		1234567 PIN ASSY-GND MAINT DEACTIVATION	L-Y,A A-AC, AN-AR ,BV,B W BZ-CB ,CE,C F,C K-CM, CR,CS CV-CX ,DA, DB,D F-ED, EN-ER FC-FF ,FN-F V,G A-GD, HG,HH HK-HQ ,HS,H T,H V-JA, JD-JU E,G,Z ,AD-A M,A S-AV, BE-BR BT,BX ,BY,C G-CJ, CP,CT ,CV DC-DE ,FA, FB,F G-FM, FW-FZ GE-GH ,GS- HD	RF
-1A	315T3157-7		PIN ASSY-GND MAINT DEACTIVATION		RF

78-31-14

ILLUSTRATED PARTS LIST
 01.1 Page 1049
 Jul 01/04

FIG. & ITEM	PART NO.	AIRLINE PART NUMBER	NOMENCLATURE	EFF CODE	QTY PER ASSY
07-5	AN416-1		.PIN-RETAINING	L-Y,A A-AC, AN-AR ,BV,B W BZ-CB ,CE,C F,C K-CM, CR,CS CV-CX ,DA, DB,D F-ED, EN-ER FC-FF ,FN-F V,G A-GD, HG,HH HK-HQ ,HS,H T,H V-JA, JD-JU	1

78-31-14

ILLUSTRATED PARTS LIST
 01.1 Page 1050
 Jul 01/04

015T0438
 315T3001
 315T4726
 315T3055

 **BOEING**
 COMPONENT
 MAINTENANCE MANUAL

FIG. & ITEM	PART NO.	AIRLINE PART NUMBER	NOMENCLATURE	EFF CODE	QTY PER ASSY
07-10	CL4F		1234567 .FERRULE- (V99862) (SPEC BACF22U2) (OPT 325167 (V00779))	L-Y,A A-AC, AN-AR ,BV,B W BZ-CB ,CE,C F,C K-CM, CR,CS CV-CX ,DA, DB,D F-ED, EN-ER FC-FF ,FN-F V,G A-GD, HG,HH HK-HQ ,HS,H T,H V-JA, JD-JU	2

78-31-14

ILLUSTRATED PARTS LIST
 01.1 Page 1050A
 Jul 01/04

FIG. & ITEM	PART NO.	AIRLINE PART NUMBER	NOMENCLATURE	EFF CODE	QTY PER ASSY
07-15	BACC13Y3A30		1234567 .CABLE	L-Y,A A-AC, AN-AR ,BV,B W BZ-CB ,CE,C F,C K-CM, CR,CS CV-CX ,DA, DB,D F-ED, EN-ER FC-FF ,FN-F V,G A-GD, HG,HH HK-HQ ,HS,H T,H V-JA, JD-JU	1

78-31-14

ILLUSTRATED PARTS LIST
 01.1 Page 1050B
 Jul 01/04

015T0438
 315T3001
 315T4726
 315T3055

 **BOEING**
 COMPONENT
 MAINTENANCE MANUAL

FIG. & ITEM	PART NO.	AIRLINE PART NUMBER	NOMENCLATURE	EFF CODE	QTY PER ASSY
07-20	315T3157-6		.STREAMER ASSY	L-Y,A A-AC, AN-AR ,BV,B W BZ-CB ,CE,C F,C K-CM, CR,CS CV-CX ,DA, DB,D F-ED, EN-ER FC-FF ,FN-F V,G A-GD, HG,HH HK-HQ ,HS,H T,H V-JA, JD-JU E,G,Z ,AD-A M,A S-AV, BE-BR BT,BX ,BY,C G-CJ, CP,CT ,CV DC-DE ,FA, FB,F G-FM, FW-FZ GE-GH ,GS- HD	1
-20A	315T3157-10		.STREAMER ASSY		1
			ATTACHING PARTS		

78-31-14

ILLUSTRATED PARTS LIST
 01.1 Page 1050C
 Jul 01/04

FIG. & ITEM	PART NO.	AIRLINE PART NUMBER	NOMENCLATURE	EFF CODE	QTY PER ASSY
07-25	NAS603-22P		.BOLT	E,G, L-AV, BE-BR ,BT,B V-CB CE-CM ,CP,C R-CX, DA-ED EN-ER ,FA-G H,G S-HD, HG,HH HK-HQ ,HS,H T,H V-JA, JD-JU	1
30	AN960C11		.WASHER	E,G, L-AV, BE-BR ,BT,B V-CB CE-CM ,CP,C R-CX, DA-ED EN-ER ,FA-G H,G S-HD, HG,HH HK-HQ ,HS,H T,H V-JA, JD-JU	1

78-31-14

 ILLUSTRATED PARTS LIST
 01.1 Page 1050D
 Jul 01/04

015T0438
 315T3001
 315T4726
 315T3055

BOEING
 COMPONENT
 MAINTENANCE MANUAL

FIG. & ITEM	PART NO.	AIRLINE PART NUMBER	NOMENCLATURE	EFF CODE	QTY PER ASSY
07-35	NAS43DD3-15		.SPACER	E,G, L-AV, BE-BR ,BT,B V-CB CE-CM ,CP,C R-CX, DA-ED EN-ER ,FA-G H,G S-HD, HG,HH HK-HQ ,HS,H T,H V-JA, JD-JU	1
40	BRH10C3M		.NUT- (V52828) (SPEC BACN10JC3CM) (OPT T6C1032JM (V11815)) (OPT 97E02 (V80539)) (OPT 109LH9075-3W (V72962)) (OPT VN303D02 (V92215)) (OPT NS202101SE02 (V80539)) (OPT H01-3BAC (V15653)) -----*	E,G, L-AV, BE-BR ,BT,B V-CB CE-CM ,CP,C R-CX, DA-ED EN-ER ,FA-G H,G S-HD, HG,HH HK-HQ ,HS,H T,H V-JA, JD-JU	1

78-31-14

ILLUSTRATED PARTS LIST
 01.1 Page 1050E
 Jul 01/04

FIG. & ITEM	PART NO.	AIRLINE PART NUMBER	NOMENCLATURE	EFF CODE	QTY PER ASSY
07-45	MS20230GB10		1234567 ..GROMMET	L-Y,A A-AC, AN-AR ,BV,B W BZ-CB ,CE,C F,C K-CM, CR,CS CV-CX ,DA, DB,D F-ED, EN-ER FC-FF ,FN-F V,G A-GD, HG,HH HK-HQ ,HS,H T,H V-JA, JD-JU	1

78-31-14

ILLUSTRATED PARTS LIST
 01.1 Page 1050F
 Jul 01/04

015T0438
 315T3001
 315T4726
 315T3055

 **BOEING**
 COMPONENT
 MAINTENANCE MANUAL

FIG. & ITEM	PART NO.	AIRLINE PART NUMBER	NOMENCLATURE	EFF CODE	QTY PER ASSY
07-50	MS20230WB10		1234567 ..WASHER	L-Y,A A-AC, AN-AR ,BV,B W BZ-CB ,CE,C F,C K-CM, CR,CS CV-CX ,DA, DB,D F-ED, EN-ER FC-FF ,FN-F V,G A-GD, HG,HH HK-HQ ,HS,H T,H V-JA, JD-JU E,G,Z ,AD-A M,A S-AV, BE-BR BT,BX ,BY,C G-CJ, CP,CT ,CV DC-DE ,FA, FB,F G-FM, FW-FZ GE-GH ,GS- HD	1
51	MS27980-1N		..FASTENER		1

78-31-14

ILLUSTRATED PARTS LIST
 01.1 Page 1050G
 Jul 01/04

FIG. & ITEM	PART NO.	AIRLINE PART NUMBER	NOMENCLATURE 1234567	EFF CODE	QTY PER ASSY
07-52	MS27980-6N		..FASTENER	E,G,Z ,AD-A M,A S-AV, BE-BR BT,BX ,BY,C G-CJ, CP,CT ,CV DC-DE ,FA, FB,F G-FM, FW-FZ GE-GH ,GS- HD	1
53	MS27980-7N		..FASTENER	E,G,Z ,AD-A M,A S-AV, BE-BR BT,BX ,BY,C G-CJ, CP,CT ,CV DC-DE ,FA, FB,F G-FM, FW-FZ GE-GH ,GS- HD	1

78-31-14

 ILLUSTRATED PARTS LIST
 01.1 Page 1050H
 Jul 01/04

015T0438
 315T3001
 315T4726
 315T3055

BOEING
 COMPONENT
 MAINTENANCE MANUAL

FIG. & ITEM	PART NO.	AIRLINE PART NUMBER	NOMENCLATURE 1234567	EFF CODE	QTY PER ASSY
07-54	MS27980-8N		..FASTENER	E,G,Z ,AD-A M,A S-AV, BE-BR BT,BX ,BY,C G-CJ, CP,CT ,CV DC-DE ,FA, FB,F G-FM, FW-FZ GE-GH ,GS- HD	1
55	NAS1756-24		..STREAMER	E,G, L-AV, BE-BR ,BT,B V-CB CE-CM ,CP,C R-CX, DA-ED EN-ER ,FA-G H,G S-HD, HG,HH HK-HQ ,HS,H T,H V-JA, JD-JU	1

78-31-14

ILLUSTRATED PARTS LIST
 01.1 Page 1050I
 Jul 01/04

FIG. & ITEM	PART NO.	AIRLINE PART NUMBER	NOMENCLATURE	EFF CODE	QTY PER ASSY
07-60	315T3157-2		.SPOOL ASSY	L-Y,A A-AC, AN-AR ,BV,B W BZ-CB ,CE,C F,C K-CM, CR,CS CV-CX ,DA, DB,D F-ED, EN-ER FC-FF ,FN-F V,G A-GD, HG,HH HK-HQ ,HS,H T,H V-JA, JD-JU E,G,Z ,AD-A M,A S-AV, BE-BR BT,BX ,BY,C G-CJ, CP,CT ,CV DC-DE ,FA, FB,F G-FM, FW-FZ GE-GH ,GS- HD	1
-60A	315T3157-2		.SPOOL ASSY- (OPT ITEM 60B)		1

78-31-14

ILLUSTRATED PARTS LIST
 01.1 Page 1050J
 Jul 01/04

015T0438
 315T3001
 315T4726
 315T3055

 **BOEING**
 COMPONENT
 MAINTENANCE MANUAL

FIG. & ITEM	PART NO.	AIRLINE PART NUMBER	NOMENCLATURE	EFF CODE	QTY PER ASSY
07- -60B	315T3157-8		.SPOOL ASSY- (OPT ITEM 60A)	E,G,Z ,AD-A M,A S-AV, BE-BR BT,BX ,BY,C G-CJ, CP,CT ,CV DC-DE ,FA, FB,F G-FM, FW-FZ GE-GH ,GS- HD	1
65	315T3157-3		..TUBE	E,G, L-AV, BE-BR ,BT,B V-CB CE-CM ,CP,C R-CX, DA-ED EN-ER ,FA-G H,G S-HD, HG,HH HK-HQ ,HS,H T,H V-JA, JD-JU	1

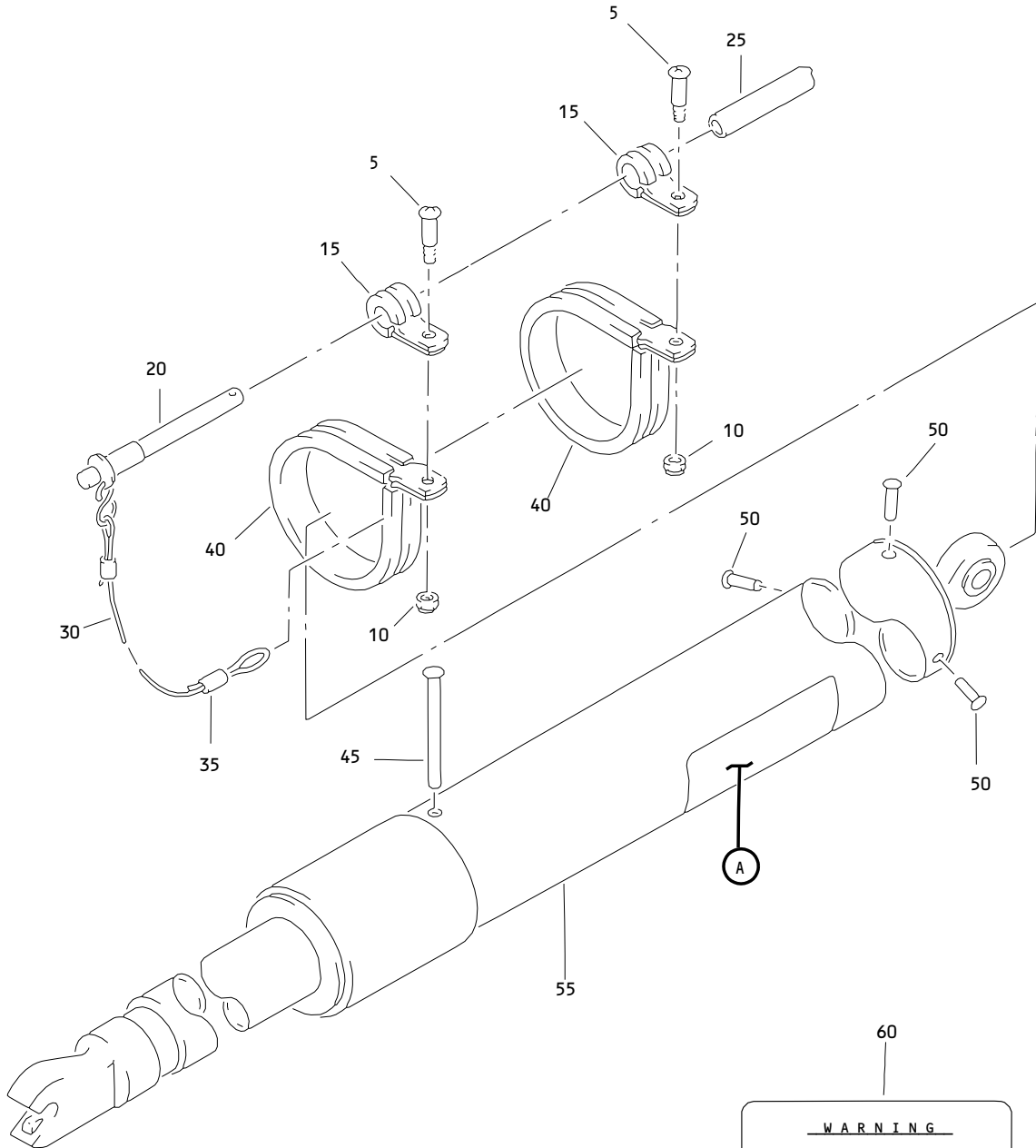
78-31-14

ILLUSTRATED PARTS LIST
 01.1 Page 1050K
 Jul 01/04

FIG. & ITEM	PART NO.	AIRLINE PART NUMBER	NOMENCLATURE	EFF CODE	QTY PER ASSY
07-70	315T1604-3		1234567 ..PIN	E,G, L-AV, BE-BR ,BT,B V-CB CE-CM ,CP,C R-CX, DA-ED EN-ER ,FA-G H,G S-HD, HG,HH HK-HQ ,HS,H T,H V-JA, JD-JU	1

- Item Not Illustrated

78-31-14



WARNING
 INSERT LOCKING
 PIN THRU ROD
 WHEN EXTENDED

A

Hold Open Rod Assembly
 Figure 8

78-31-14

ILLUSTRATED PARTS LIST
 01.1 Page 1050N
 Jul 01/04

015T0438
 315T3001
 315T4726
 315T3055

BOEING
 COMPONENT
 MAINTENANCE MANUAL

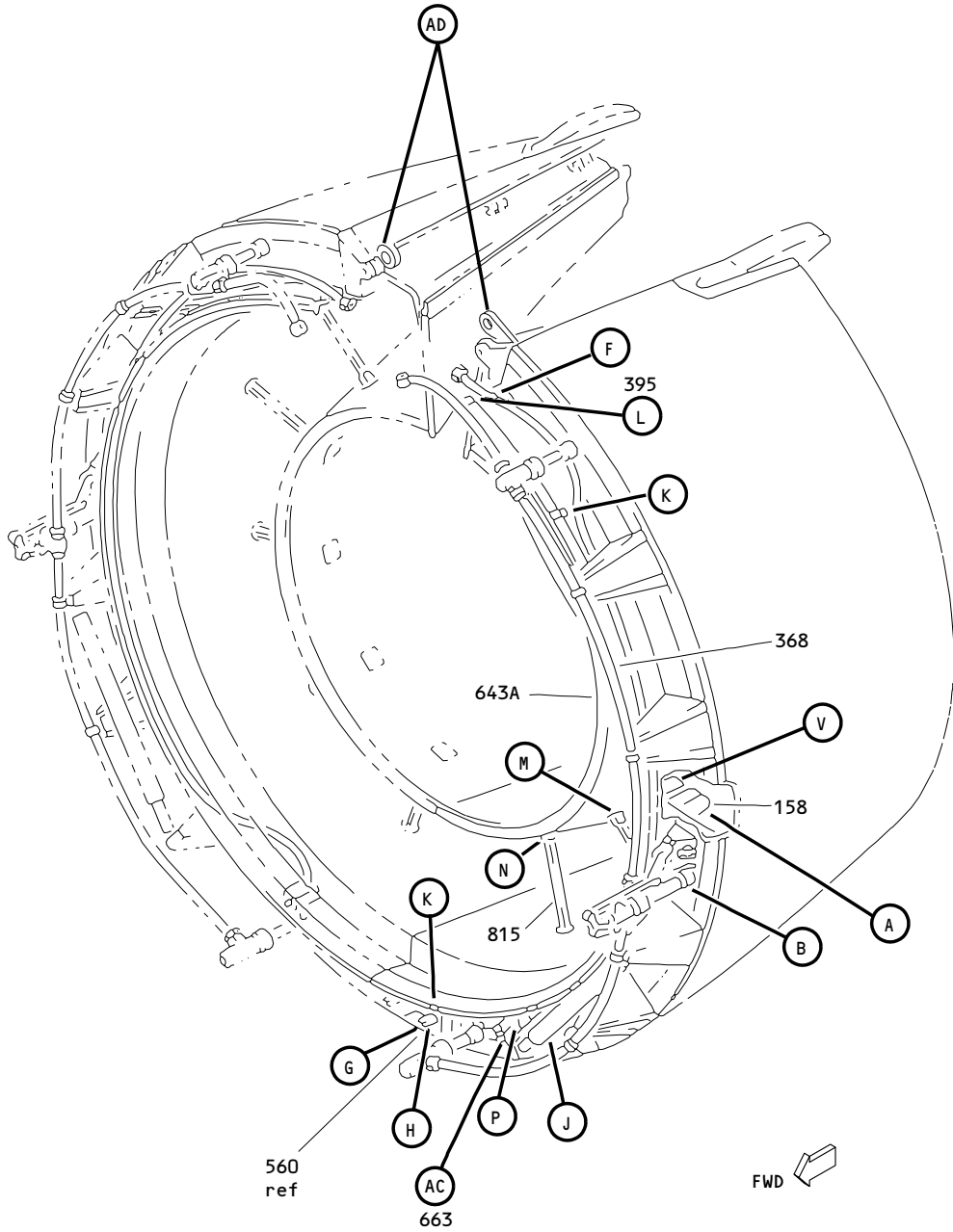
FIG. & ITEM	PART NO.	AIRLINE PART NUMBER	NOMENCLATURE 1234567	EFF CODE	QTY PER ASSY
08- -1	315T3159-1		ROD ASSY-HOLD OPEN (REWORK)		RF
5 10	BACB30NT3K2 BRH10C3D		.BOLT .NUT- (V52828) (SPEC BACN10JC3CD) (OPT T6C1032JCD (V11815)) (OPT NS202486-02 (V80539)) (OPT 102LH9075-3W (V72962)) (OPT H51650-3BAC (V15653))		2 2
15 20	MS21919WCH5 CL4BLPB1-8S		.CLAMP .PIN-BALL LOCK (V99862) (OPT ITEMS 20A, 20B)		2 1
-20A	BLC4BC18S		.PIN-BALL LOCK (V84256) (OPT ITEMS 20, 20B)		1
-20B	MS17984C418		.PIN-BALL LOCK (OPT ITEMS 20, 20A)		1
25	315T3159-3		.RETAINER-PIN (MFD FROM 304 CRES TUBE F17.09 MIL-T-6845 5/8 IN. OD X 30.28 IN X 1.79 IN. LG)		1
30 35	BACC13Y3B42 CL4F		.CABLE ASSY .FERRULE- (V99862) (SPEC BACF22U2) (OPT 325167 (V00779))		1 1
40 45 50	MS21919WCH28 MS20613-6C30 SSD66SSBS		.CLAMP .RIVET .RIVET- (V07707)		2 1 3
55	A2724-3		.STRUT ASSY- (V08844) (SPEC S315T366-2)		1
60	BAC27TTR0043		.MARKER-ALUMINUM FOIL		1

- Item Not Illustrated

78-31-14

ILLUSTRATED PARTS LIST
 01.1 Page 10500
 Jul 01/04

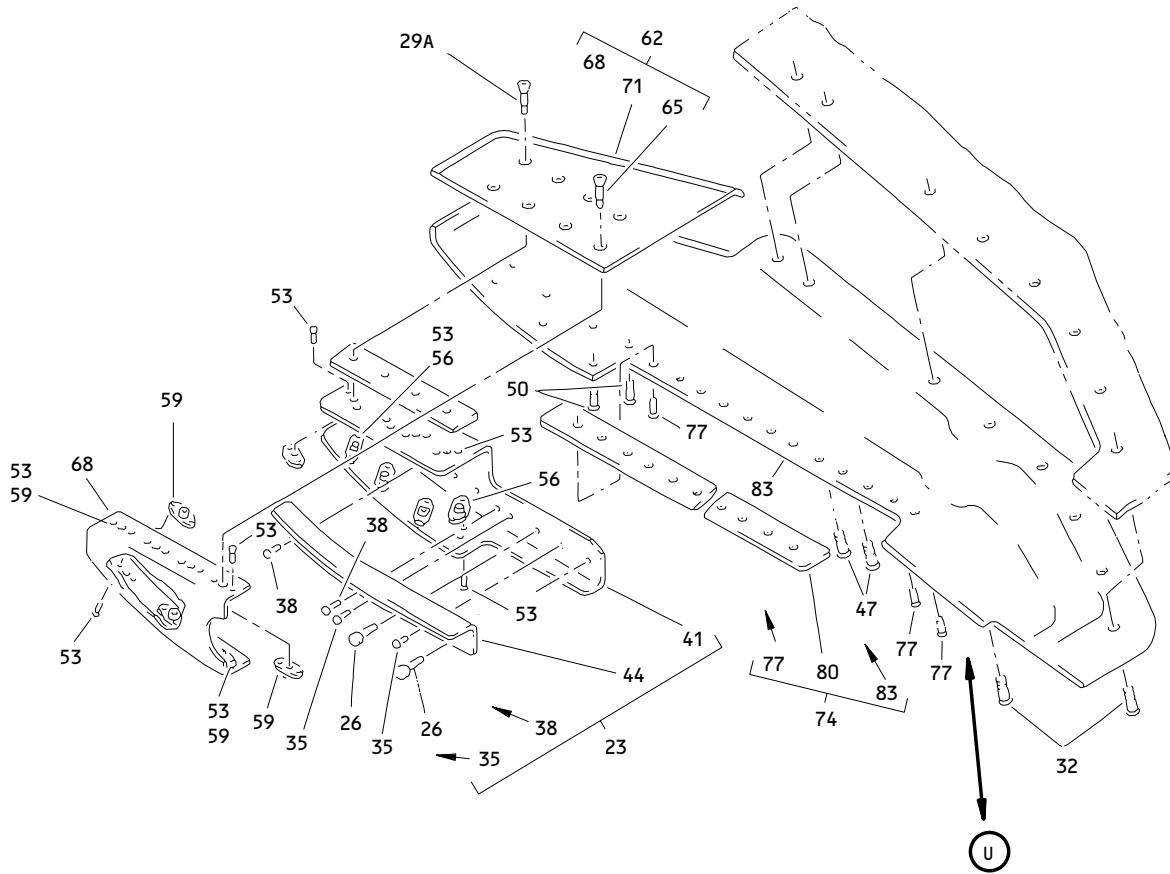
015T0438
315T3001
315T4726
315T3055



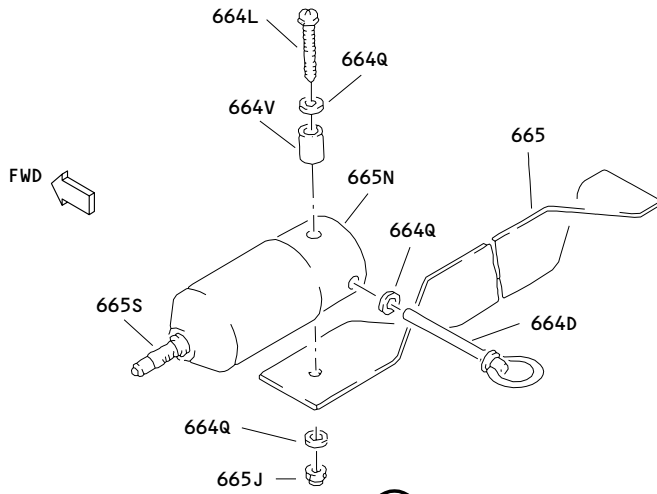
Fan Duct Cowl and Thrust Reverser Assembly
Figure 9 (Sheet 1)

78-31-14

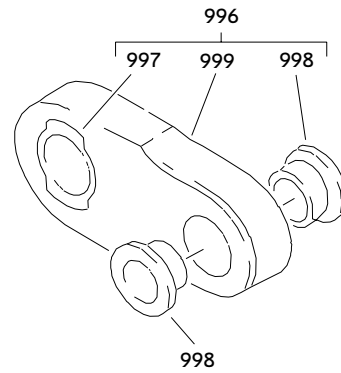
ILLUSTRATED PARTS LIST
01.1 Page 1050Q
Jul 01/04



(A)



(AC)



(AD)

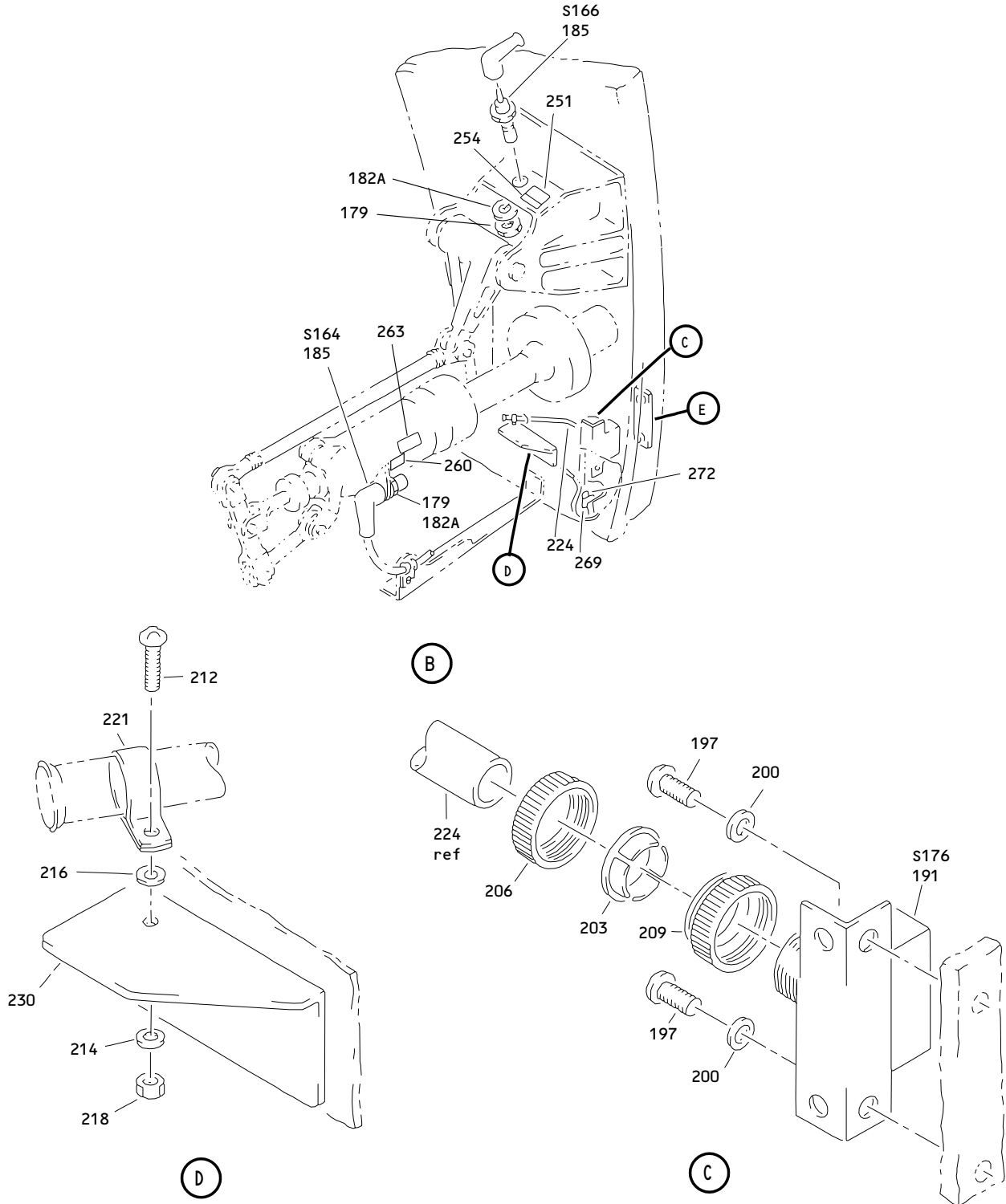
Fan Duct Cowl and Thrust Reverser Assembly
 Figure 9 (Sheet 2)

78-31-14

ILLUSTRATED PARTS LIST
 01.1 Page 1050R
 Jul 01/04

015T0438
 315T3001
 315T4726
 315T3055

BOEING
 COMPONENT
 MAINTENANCE MANUAL

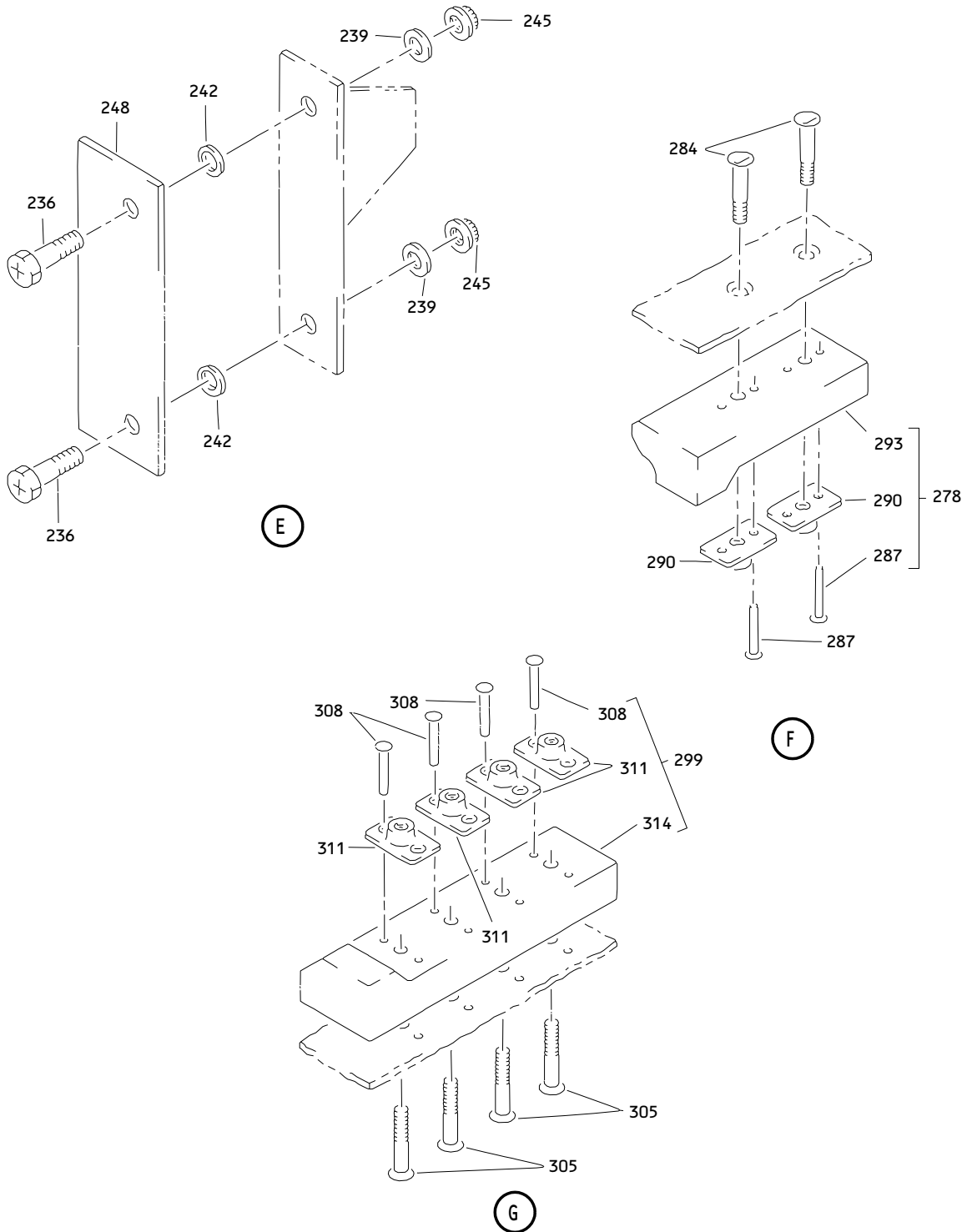


Fan Duct Cowl and Thrust Reverser Assembly
 Figure 9 (Sheet 3)

78-31-14

ILLUSTRATED PARTS LIST
 01.1 Page 1050S
 Jul 01/04

787624



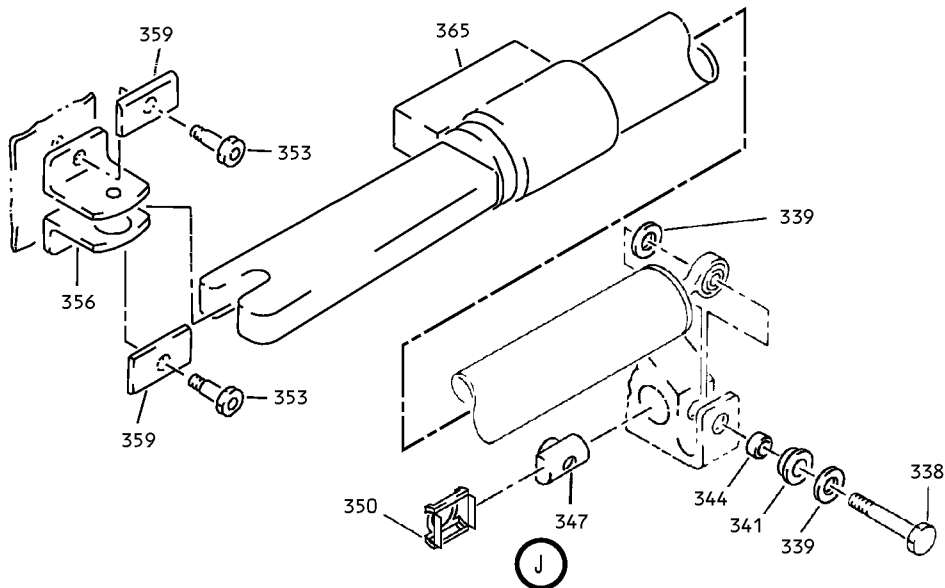
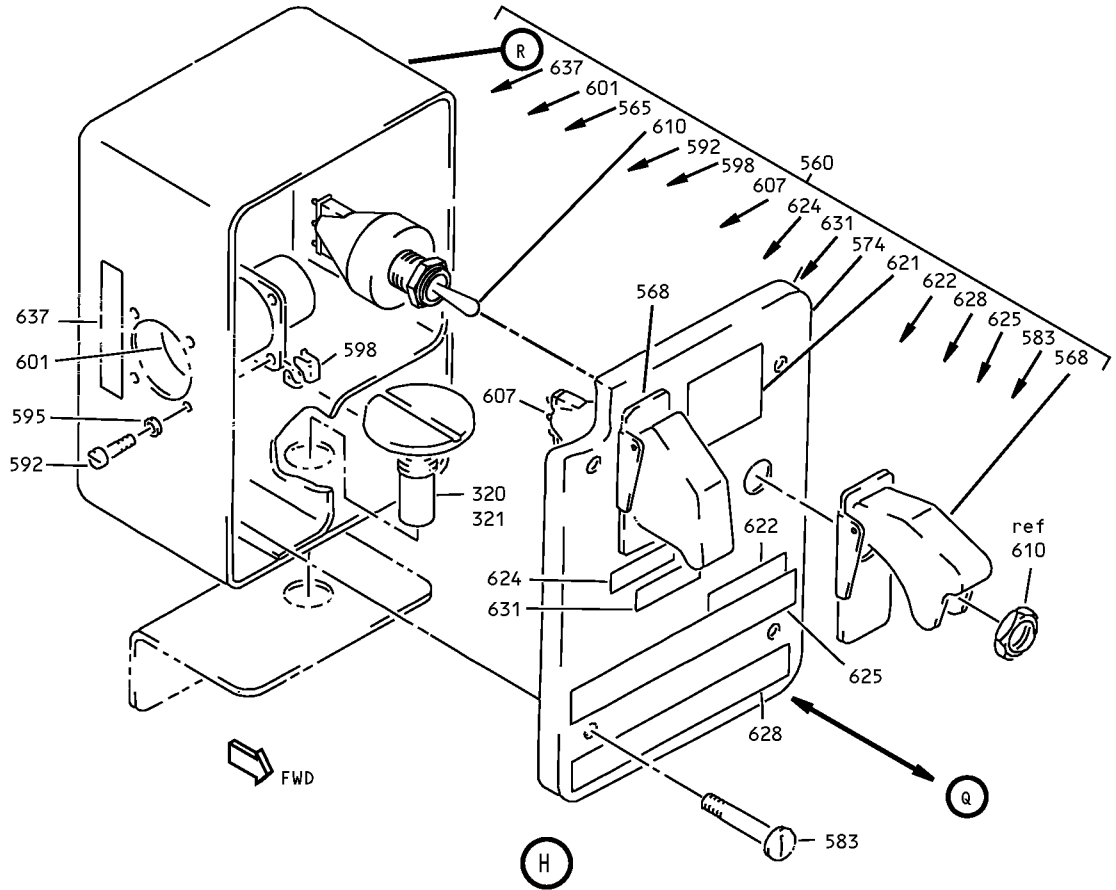
Fan Duct Cowl and Thrust Reverser Assembly
 Figure 9 (Sheet 4)

78-31-14

ILLUSTRATED PARTS LIST
 01.1 Page 1050T
 Jul 01/04

015T0438
315T3001
315T4726
315T3055

BOEING
COMPONENT
MAINTENANCE MANUAL

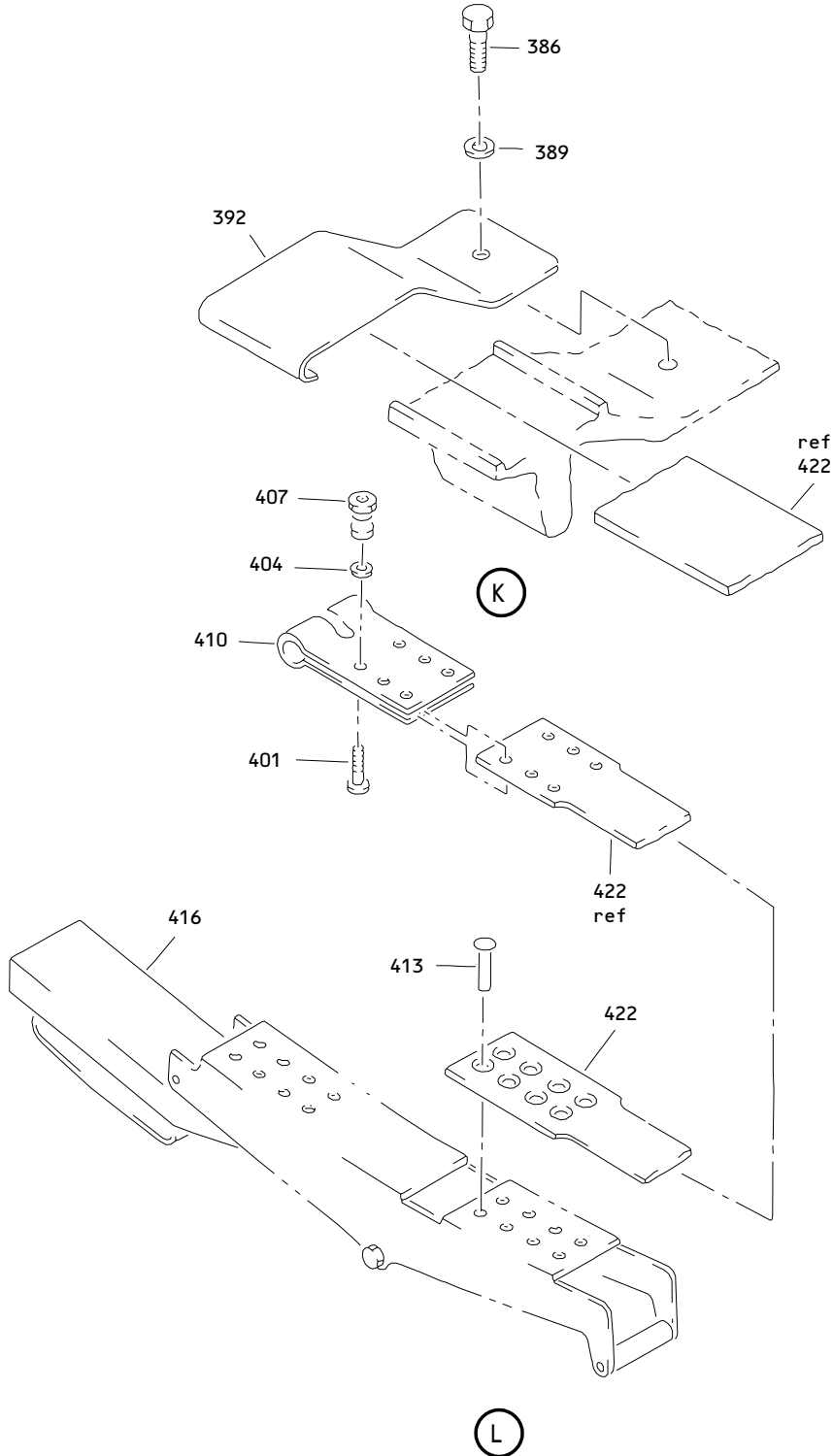


Fan Duct Cowl and Thrust Reverser Assembly
Figure 9 (Sheet 5)

78-31-14

ILLUSTRATED PARTS LIST
01.1 Page 1050U
Jul 01/04

787626

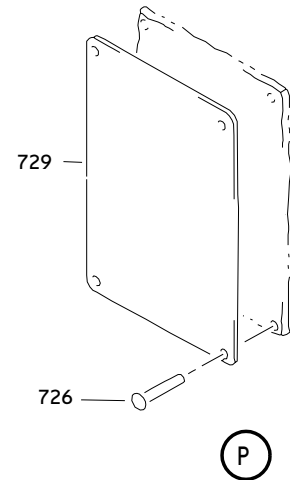
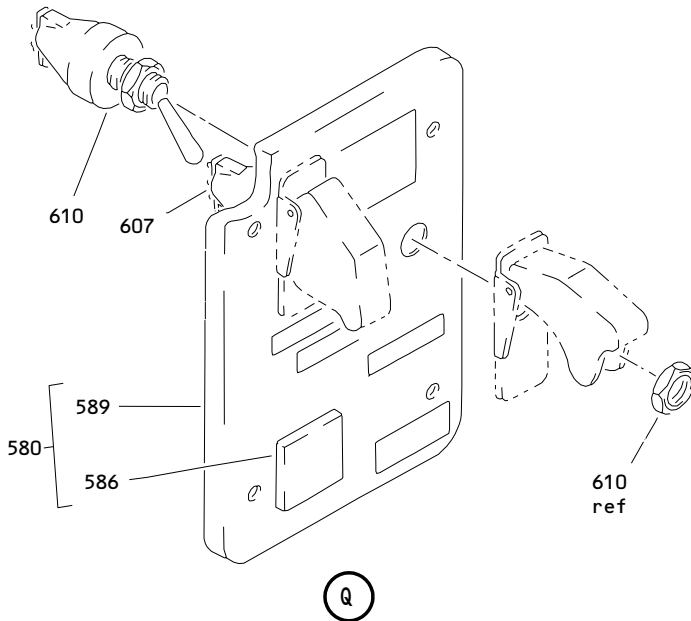
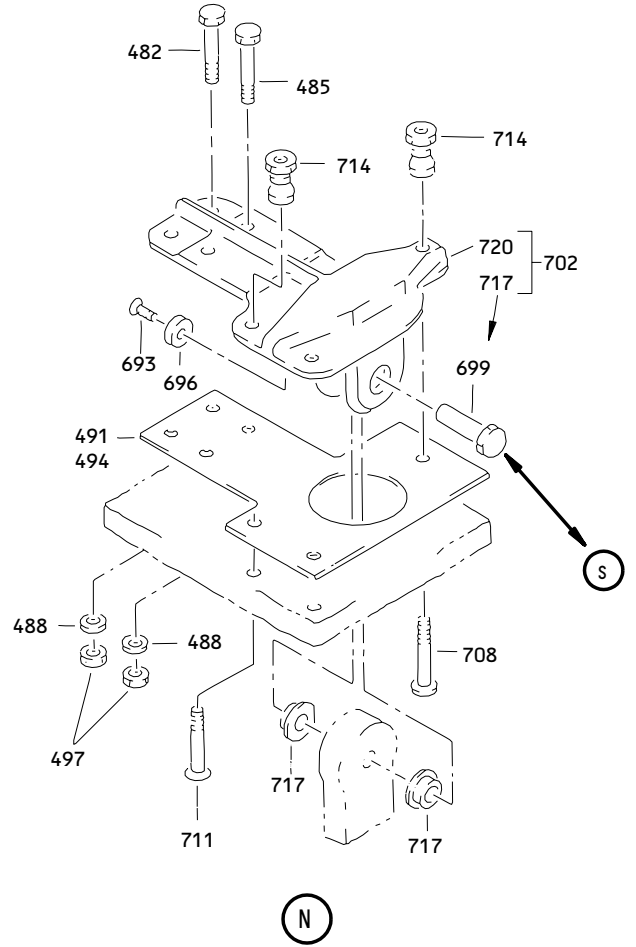
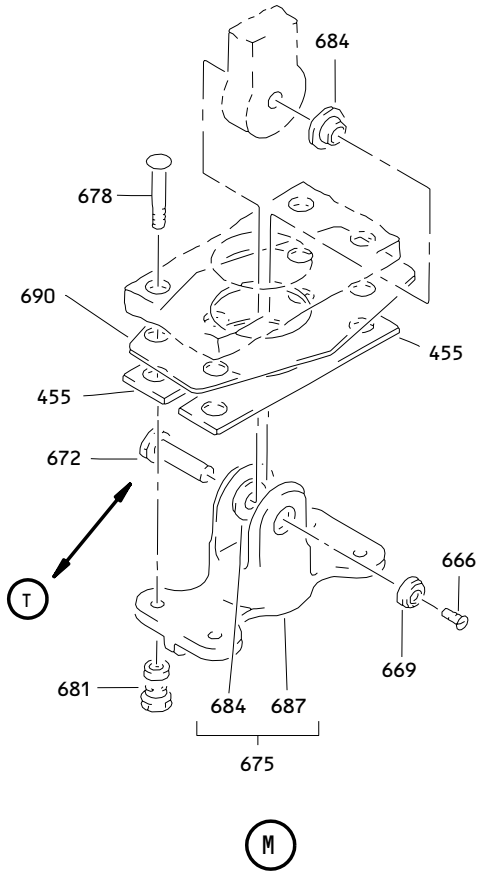


Fan Duct Cowl and Thrust Reverser Assembly
 Figure 9 (Sheet 6)

78-31-14

ILLUSTRATED PARTS LIST
 01.1 Page 1050V
 Jul 01/04

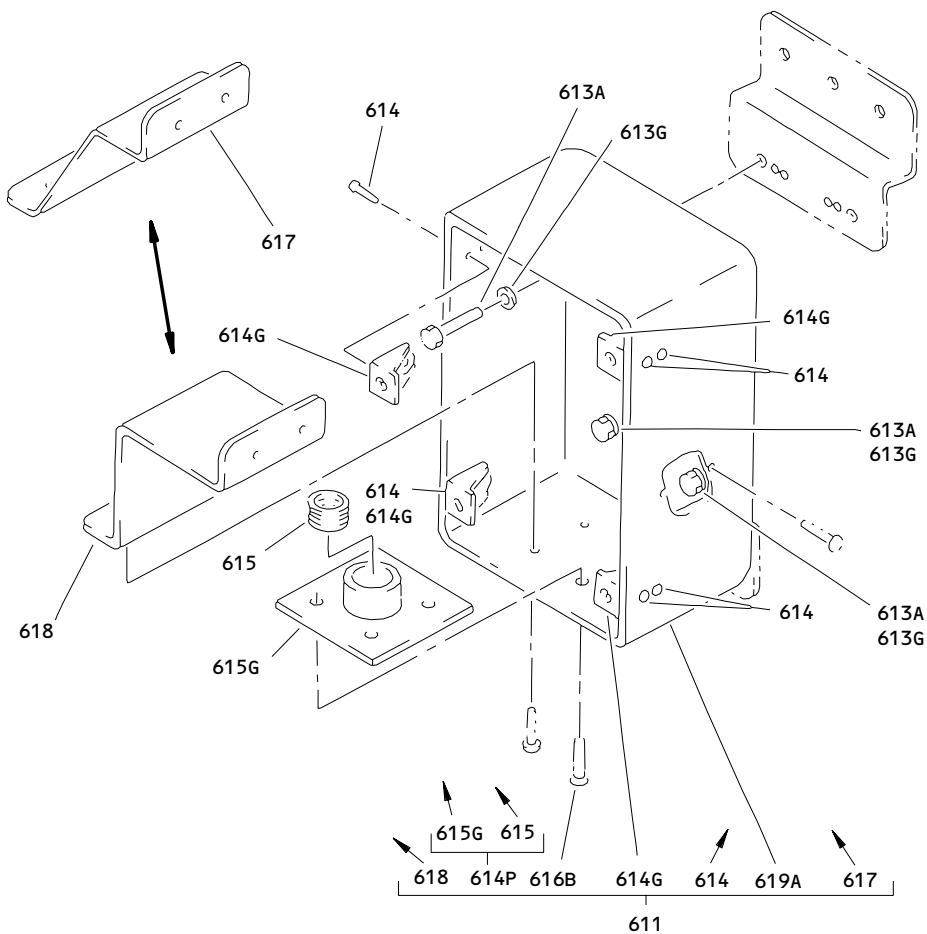
015T0438
 315T3001
 315T4726
 315T3055



Fan Duct Cowl and Thrust Reverser Assembly
 Figure 9 (Sheet 7)

78-31-14

ILLUSTRATED PARTS LIST
 01.1 Page 1050W
 Jul 01/04



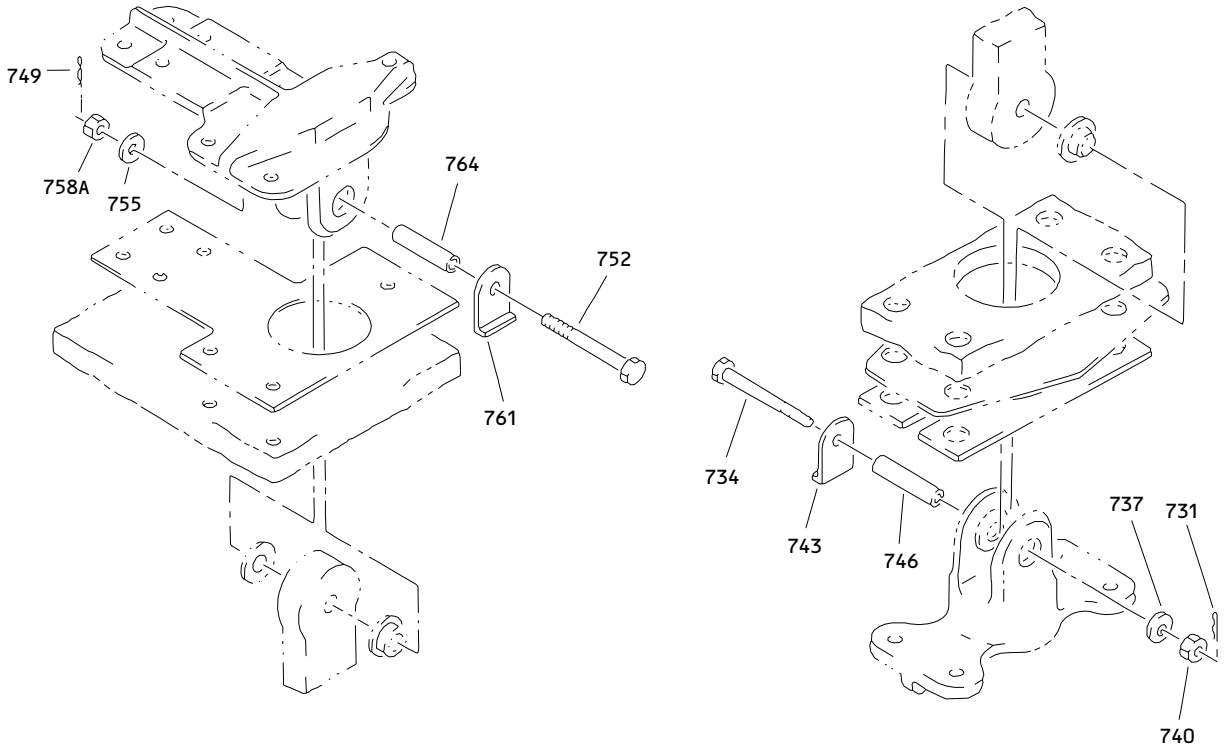
(R)

Fan Duct Cowl and Thrust Reverser Assembly
 Figure 9 (Sheet 8)

78-31-14

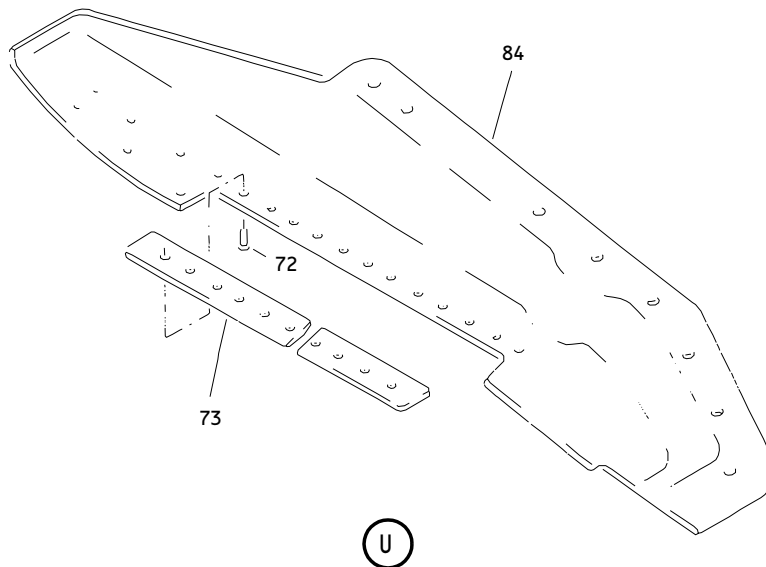
ILLUSTRATED PARTS LIST
 01.1 Page 1050X
 Jul 01/04

015T0438
315T3001
315T4726
315T3055



S

T

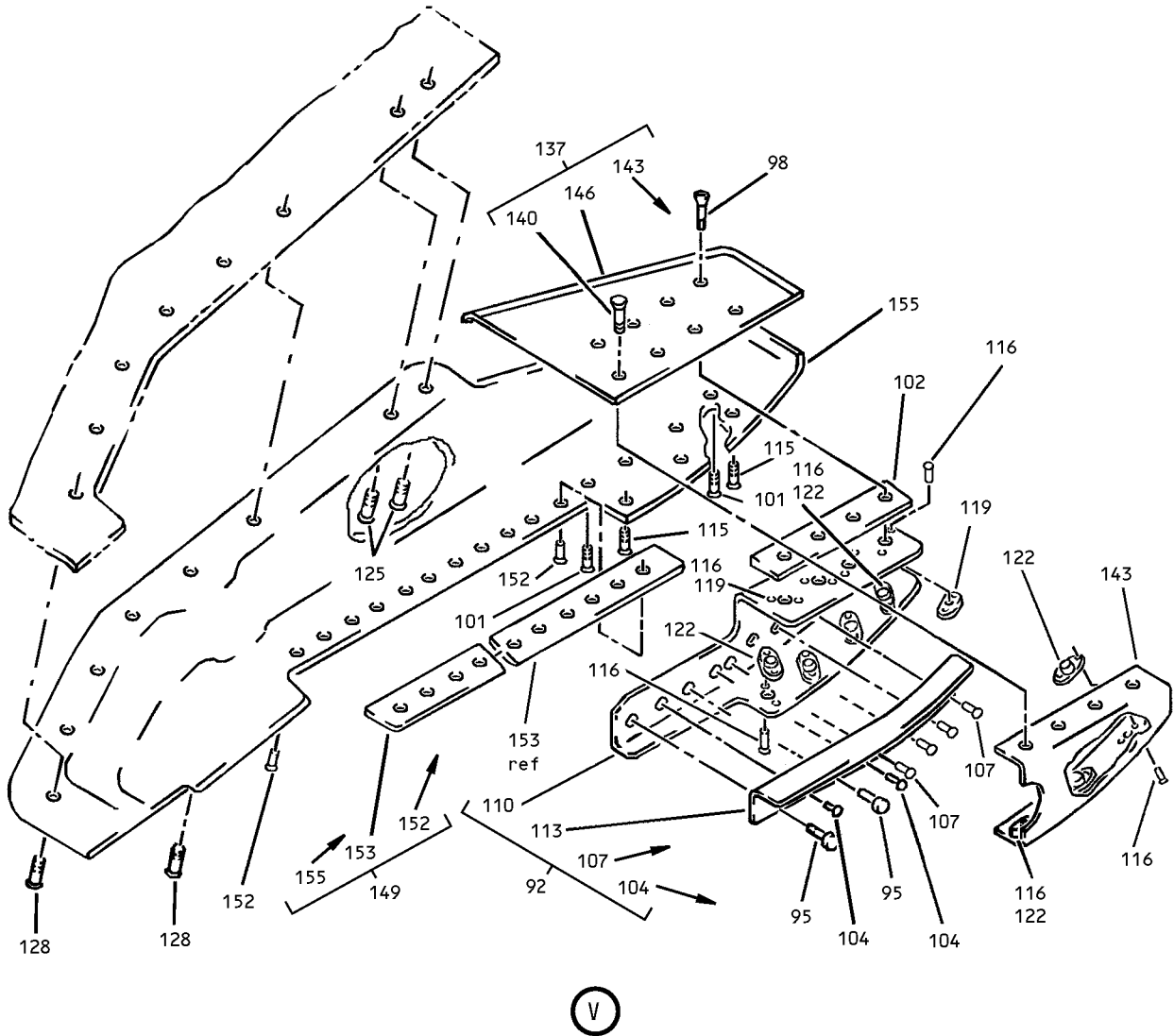


U

Fan Duct Cowl and Thrust Reverser Assembly
Figure 9 (Sheet 9)

78-31-14

ILLUSTRATED PARTS LIST
01.1 Page 1050Y
Jul 01/04



Fan Duct Cowl and Thrust Reverser Assembly
 Figure 9 (Sheet 10)

78-31-14

ILLUSTRATED PARTS LIST
 01.1 Page 1050Z
 Jul 01/04

015T0438
 315T3001
 315T4726
 315T3055

 **BOEING**
 COMPONENT
 MAINTENANCE MANUAL

FIG. & ITEM	PART NO.	AIRLINE PART NUMBER	NOMENCLATURE 1234567	EFF CODE	QTY PER ASSY
09- -1	315T3001-43SP		FAN DUCT COWL AND THRUST- REVERSER ASSY-(LH SIDE LH ENG) (PRE SB 767-54A0027) (PRE SB 767-78-0061)	L	RF
-1A	315T3001-55SP		FAN DUCT COWL AND THRUST- REVERSER ASSY-(LH SIDE LH ENG) (PRE SB 767-54A0027) (PRE SB 767-78-0061)	E	RF
-1B	315T3001-65SP		FAN DUCT COWL AND THRUST- REVERSER ASSY-(LH SIDE LH ENG) (PRE SB 767-54A0027) (PRE SB 767-78-0061) (PRE SB 767-78-0043)	M	RF
-1C	315T3001-73SP		FAN DUCT COWL AND THRUST- REVERSER ASSY-(LH SIDE LH ENG) (PRE SB 767-54A0027) (PRE SB 767-78-0061)	HG	RF
-1D	315T3001-77SP		FAN DUCT COWL AND THRUST- REVERSER ASSY-(LH SIDE LH ENG) (PRE SB 767-54A0027) (PRE SB 767-78-0061)	HH	RF
-1E	315T3001-93SP		FAN DUCT COWL AND THRUST- REVERSER ASSY-(VARIABLE) (LH SIDE LH ENG) (PRE SB 767-54A0027) (PRE SB 767-78-0061)	AE	RF
-1F	315T3001-105SP		FAN DUCT COWL AND THRUST- REVERSER ASSY-(LH SIDE LH ENG) (PRE SB 767-54A0027) (PRE SB 767-78-0061)	AJ	RF
-1G	315T3001-97		DELETED		
-1H	315T3001-101		DELETED		
-1J	315T3001-97SP		FAN DUCT COWL AND THRUST- REVERSER ASSY-(REWORK) (LH SIDE LH ENG) (PRE SB 767-54A0027) (PRE SB 767-78-0061)	N	RF

78-31-14

ILLUSTRATED PARTS LIST
 01.1 Page 1051
 Jul 01/04

FIG. & ITEM	PART NO.	AIRLINE PART NUMBER	NOMENCLATURE 1234567	EFF CODE	QTY PER ASSY
09- -1K	315T3001-101SP		FAN DUCT COWL AND THRUST- REVERSER ASSY-(REWORK) (LH SIDE LH ENG) (PRE SB 767-54A0027) (PRE SB 767-78-0061) (PRE SB 767-78-0043)	P	RF
-1L	315T3001-117SP		FAN DUCT COWL AND THRUST- REVERSER ASSY-(REWORK) (LH SIDE LH ENG) (PRE SB 767-54A0027) (PRE SB 767-78-0061)	AN	RF
-1M	315T3001-121SP		FAN DUCT COWL AND THRUST- REVERSER ASSY-(LH SIDE LH ENG) (PRE SB 767-78-0061)	AS	RF
-1N	315T3001-125SP		FAN DUCT COWL AND THRUST- REVERSER ASSY-(LH SIDE LH ENG) (PRE SB 767-78-0061)	AW	RF
-1P	315T3001-129SP		FAN DUCT COWL AND THRUST- REVERSER ASSY- (VARIABLE) (LH SIDE LH ENG) (PRE SB 767-78-0061)	BA	RF
-1Q	315T3001-133SP		FAN DUCT COWL AND THRUST- REVERSER ASSY-(LH SIDE LH ENG)	BE	RF
-1R	315T3001-137SP		FAN DUCT COWL AND THRUST- REVERSER ASSY-(LH SIDE LH ENG)	BF	RF
-1S	315T3001-141SP		FAN DUCT COWL AND THRUST- REVERSER ASSY-(VARIABLE) (RH SIDE LH ENG)	BG	RF
-1T	015T0438-27		FAN DUCT COWL AND THRUST- REVERSER ASSY-(LH SIDE LH ENG) (POST SB 767-54A0027) (PRE SB 767-78-0061)	BV	RF
-1U	315T3001-133SP		FAN DUCT COWL AND THRUST- REVERSER ASSY-(LH SIDE LH ENG) (POST SB 767-54A0027) (PRE SB 767-78-0061)	BT	RF

78-31-14

 ILLUSTRATED PARTS LIST
 01.1 Page 1052
 Jul 01/04

015T0438
 315T3001
 315T4726
 315T3055

 **BOEING**
 COMPONENT
 MAINTENANCE MANUAL

FIG. & ITEM	PART NO.	AIRLINE PART NUMBER	NOMENCLATURE 1234567	EFF CODE	QTY PER ASSY
09- -1V	015T0438-31		FAN DUCT COWL AND THRUST- REVERSER ASSY-(LH SIDE LH ENG) (POST SB 767-54A0027) (PRE SB 767-78-0061)	BW	RF
-1W	315T3001-141SP		FAN DUCT COWL AND THRUST- REVERSER ASSY-(VARIABLE) (LH SIDE LH ENG) (POST SB 767-54A0027) (PRE SB 767-78-0061)	BX	RF
-1X	315T3001-137SP		FAN DUCT COWL AND THRUST- REVERSER ASSY-(LH SIDE LH ENG) (POST SB 767-54A0027) (PRE SB 767-78-0061)	BY	RF
-1Y	015T0438-43		FAN DUCT COWL AND THRUST- REVERSER ASSY-(LH SIDE LH ENG) (POST SB 767-54A0027) (PRE SB 767-78-0061)	BZ	RF
-1Z	015T0438-51		FAN DUCT COWL AND THRUST- REVERSER ASSY-(LH SIDE LH ENG) (POST SB 767-54A0027) (PRE SB 767-78-0061)	CA	RF
-2	015T0438-47		FAN DUCT COWL AND THRUST- REVERSER ASSY-(LH SIDE LH ENG) (POST SB 767-54A0027) (PRE SB 767-78-0061)	CB	RF
-2A	315T4726-75		FAN DUCT COWL AND THRUST- REVERSER ASSY-(LH SIDE LH ENG) (POST SB 767-78-0061)	DW	RF
-2B	315T4726-131		FAN DUCT COWL AND THRUST- REVERSER ASSY-(LH SIDE LH ENG) (POST SB 767-78-0061)	HK	RF
-2C	315T4726-135		FAN DUCT COWL AND THRUST- REVERSER ASSY-(LH SIDE LH ENG) (POST SB 767-78-0061)	HL	RF

78-31-14

ILLUSTRATED PARTS LIST
 01.1 Page 1052A
 Jul 01/04

FIG. & ITEM	PART NO.	AIRLINE PART NUMBER	NOMENCLATURE 1234567	EFF CODE	QTY PER ASSY
09- -2D	315T3055-3		FAN DUCT COWL AND THRUST- REVERSER ASSY-(LH SIDE LH ENG) (POST SB 767-78-0043) (PRE SB 767-78-0061)	JD	RF
-2E	315T3055-7		FAN DUCT COWL AND THRUST- REVERSER ASSY-(LH SIDE LH ENG) (POST SB 767-78-0043) (PRE SB 767-78-0061)	JE	RF
-2F	315T4726-181		FAN DUCT COWL AND THRUST- REVERSER ASSY-(LH SIDE LH ENG) (POST SB 767-78-0061) (PRE SB 767-78-0061)	JF	RF
-2G	315T4726-185		FAN DUCT COWL AND THRUST- REVERSER ASSY-(LH SIDE LH ENG) (POST SB 767-78-0061) (PRE SB 767-78-0061)	JG	RF
R -2H	015T0438-35		FAN DUCT COWL AND THRUST- REVERSER ASSY-(LH SIDE LH ENG) (POST SB 767-78-0061) (PRE SB 767-78-0061)	JV	RF
R -2J	015T0438-39		FAN DUCT COWL AND THRUST- REVERSER ASSY-(LH SIDE LH ENG) (POST SB 767-54A0027) (PRE SB 767-78-0061)	JW	RF
R -2K	315T4726-79		FAN DUCT COWL AND THRUST- REVERSER ASSY-(LH SIDE LH ENG) (POST SB 767-78-0061) (PRE SB 767-78-0061)	JY	RF
R -2L	315T4726-151		FAN DUCT COWL AND THRUST- REVERSER ASSY-(LH SIDE LH ENG) (POST SB 767-78-0061) (PRE SB 767-78-0061)	KA	RF
-3	315T4726-59		FAN DUCT COWL AND THRUST- REVERSER ASSY-(LH SIDE LH ENG) (POST SB 767-78-0061) (PRE SB 767-78-0061)	DJ	RF
-3A	315T4726-71		FAN DUCT COWL AND THRUST- REVERSER ASSY-(LH SIDE LH ENG) (POST SB 767-78-0061) (PRE SB 767-78-0061)	DN	RF

78-31-14

 ILLUSTRATED PARTS LIST
 01.1 Page 1052B
 Jul 01/04

015T0438
 315T3001
 315T4726
 315T3055

 **BOEING**
 COMPONENT
 MAINTENANCE MANUAL

FIG. & ITEM	PART NO.	AIRLINE PART NUMBER	NOMENCLATURE 1234567	EFF CODE	QTY PER ASSY
09- -3B	315T4726-67		FAN DUCT COWL AND THRUST- REVERSER ASSY-(LH SIDE LH ENG) (POST SB 767-78-0061)	DS	RF
-3C	315T4726-63		FAN DUCT COWL AND THRUST- REVERSER ASSY-(LH SIDE LH ENG) (POST SB 767-78-0061)	EA	RF
-3D	315T4726-115		FAN DUCT COWL AND THRUST- REVERSER ASSY-(LH SIDE LH ENG) (POST SB 767-78-0061)	EN	RF
-3E	315T4726-51		FAN DUCT COWL AND THRUST- REVERSER ASSY-(LH SIDE LH ENG) (POST SB 767-78-0061)	FA	RF
-3F	315T4726-127		FAN DUCT COWL AND THRUST- REVERSER ASSY-(LH SIDE LH ENG) (POST SB 767-78-0061)	FC	RF
-3G	315T4726-147		FAN DUCT COWL AND THRUST- REVERSER ASSY-(LH SIDE LH ENG) (POST SB 767-78-0061)	FJ	RF
-3H	315T4726-155		FAN DUCT COWL AND THRUST- REVERSER ASSY-(LH SIDE LH ENG) (POST SB 767-78-0061)	FN	RF
-3J	315T4726-165		FAN DUCT COWL AND THRUST- REVERSER ASSY-(LH SIDE LH ENG) (POST SB 767-78-0061)	FS	RF
-3K	315T4726-169		FAN DUCT COWL AND THRUST- REVERSER ASSY-(LH SIDE LH ENG) (POST SB 767-78-0061)	FW	RF
-3L	315T4726-177		FAN DUCT COWL AND THRUST- REVERSER ASSY-(LH SIDE LH ENG) (POST SB 767-78-0061)	GA	RF
-3M	315T4726-55		FAN DUCT COWL AND THRUST- REVERSER ASSY-(LH SIDE LH ENG) (POST SB 767-78-0061)	GE	RF

78-31-14

ILLUSTRATED PARTS LIST
 01.1 Page 1052C
 Jul 01/04

FIG. & ITEM	PART NO.	AIRLINE PART NUMBER	NOMENCLATURE 1234567	EFF CODE	QTY PER ASSY
09- -3N	315T4726-87		FAN DUCT COWL AND THRUST- REVERSER ASSY-(LH SIDE LH ENG) (POST SB 767-78-0061)	GJ	RF
-3P	315T4726-95		FAN DUCT COWL AND THRUST- REVERSER ASSY-(LH SIDE LH ENG) (POST SB 767-78-0061)	GN	RF
-3Q	315T4726-47		FAN DUCT COWL AND THRUST- REVERSER ASSY-(LH SIDE LH ENG) (POST SB 767-78-0061)	GS	RF
-3R	315T4726-83		FAN DUCT COWL AND THRUST- REVERSER ASSY-(LH SIDE LH ENG) (POST SB 767-78-0061)	GW	RF
-3S	315T4726-91		FAN DUCT COWL AND THRUST- REVERSER ASSY-(LH SIDE LH ENG) (POST SB 767-78-0061)	HA	RF
-4	315T4726-49		FAN DUCT COWL AND THRUST- REVERSER ASSY-(RH SIDE LH ENG) (POST SB 767-78-0061)	GU	RF
-4A	315T4726-60		FAN DUCT COWL AND THRUST- REVERSER ASSY-(RH SIDE LH ENG) (POST SB 767-78-0061)	DK	RF
-4B	315T4726-72		FAN DUCT COWL AND THRUST- REVERSER ASSY-(RH SIDE LH ENG) (POST SB 767-78-0061)	DP	RF
-4C	315T4726-44		FAN DUCT COWL AND THRUST- REVERSER ASSY-(RH SIDE LH ENG) (POST SB 767-78-0061)	EK	RF
-4D	315T4726-116		FAN DUCT COWL AND THRUST- REVERSER ASSY-(RH SIDE LH ENG) (POST SB 767-78-0061)	EP	RF
-4E	315T4726-124		FAN DUCT COWL AND THRUST- REVERSER ASSY-(RH SIDE LH ENG) (POST SB 767-78-0061)	EX	RF

78-31-14

 ILLUSTRATED PARTS LIST
 01.1 Page 1052D
 Jul 01/04

015T0438
 315T3001
 315T4726
 315T3055

 **BOEING**
 COMPONENT
 MAINTENANCE MANUAL

FIG. & ITEM	PART NO.	AIRLINE PART NUMBER	NOMENCLATURE 1234567	EFF CODE	QTY PER ASSY
09- -4F	315T4726-128		FAN DUCT COWL AND THRUST- REVERSER ASSY-(RH SIDE LH ENG) (POST SB 767-78-0061)	FD	RF
-4G	315T4726-52		FAN DUCT COWL AND THRUST- REVERSER ASSY-(RH SIDE LH ENG) (POST SB 767-78-0061)	FG	RF
-4H	315T4726-148		FAN DUCT COWL AND THRUST- REVERSER ASSY-(RH SIDE LH ENG) (POST SB 767-78-0061)	FK	RF
-4J	315T4726-156		FAN DUCT COWL AND THRUST- REVERSER ASSY-(RH SIDE LH ENG) (POST SB 767-78-0061)	FP	RF
-4K	315T4726-166		FAN DUCT COWL AND THRUST- REVERSER ASSY-(RH SIDE LH ENG) (POST SB 767-78-0061)	FT	RF
-4L	315T4726-170		FAN DUCT COWL AND THRUST- REVERSER ASSY-(RH SIDE LH ENG) (POST SB 767-78-0061)	FX	RF
-4M	315T4726-178		FAN DUCT COWL AND THRUST- REVERSER ASSY-(RH SIDE LH ENG) (POST SB 767-78-0061)	GB	RF
-4N	315T4726-56		FAN DUCT COWL AND THRUST- REVERSER ASSY-(RH SIDE LH ENG) (POST SB 767-78-0061)	GF	RF
-4P	315T4726-88		FAN DUCT COWL AND THRUST- REVERSER ASSY-(RH SIDE LH ENG) (POST SB 767-78-0061)	GK	RF
-4Q	315T4726-96		FAN DUCT COWL AND THRUST- REVERSER ASSY-(RH SIDE LH ENG) (POST SB 767-78-0061)	GP	RF
-4R	315T4726-84		FAN DUCT COWL AND THRUST- REVERSER ASSY-(RH SIDE LH ENG) (POST SB 767-78-0061)	GX	RF

78-31-14

ILLUSTRATED PARTS LIST
 01.1 Page 1052E
 Jul 01/04

FIG. & ITEM	PART NO.	AIRLINE PART NUMBER	NOMENCLATURE 1234567	EFF CODE	QTY PER ASSY
09- -4S	315T4726-92		FAN DUCT COWL AND THRUST- REVERSER ASSY--(RH SIDE LH ENG) (POST SB 767-78-0061)	HB	RF
-5	315T3001-44SP		FAN DUCT COWL AND THRUST- REVERSER ASSY--(RH SIDE LH ENG) (PRE SB 767-54A0027) (PRE SB 767-78-0061)	Q	RF
-5A	315T3001-52SP		FAN DUCT COWL AND THRUST- REVERSER ASSY--(RH SIDE LH ENG) (PRE SB 767-54A0027) (PRE SB 767-78-0061)	F	RF
-5B	315T3001-66SP		FAN DUCT COWL AND THRUST- REVERSER ASSY--(RH SIDE LH ENG) (PRE SB 767-54A0027) (PRE SB 767-78-0061) (PRE SB 767-78-0043)	R	RF
-5C	315T3001-74SP		FAN DUCT COWL AND THRUST- REVERSER ASSY--(RH SIDE LH ENG) (PRE SB 767-78-0061)	HM	RF
-5D	315T3001-78SP		FAN DUCT COWL AND THRUST- REVERSER ASSY--(RH SIDE LH ENG) (PRE SB 767-54A0027) (PRE SB 767-78-0061)	HN	RF
-5E	315T3001-82SP		FAN DUCT COWL AND THRUST- REVERSER ASSY--(RH SIDE LH ENG) (PRE SB 767-54A0027) (PRE SB 767-78-0061)	Z	RF
-5F	315T3001-94SP		FAN DUCT COWL AND THRUST- REVERSER ASSY--(VARIABLE) (RH SIDE LH ENG) (PRE SB 767-54A0027) (PRE SB 767-78-0061)	AF	RF
-5G	315T3001-106SP		FAN DUCT COWL AND THRUST- REVERSER ASSY--(RH SIDE LH ENG) (PRE SB 767-54A0027) (PRE SB 767-78-0061)	AK	RF
-5H	315T3001-98		DELETED		

78-31-14

 ILLUSTRATED PARTS LIST
 01.1 Page 1052F
 Jul 01/04

015T0438
 315T3001
 315T4726
 315T3055

 **BOEING**
 COMPONENT
 MAINTENANCE MANUAL

FIG. & ITEM	PART NO.	AIRLINE PART NUMBER	NOMENCLATURE 1234567	EFF CODE	QTY PER ASSY
09-			DELETED		
-5J	315T3001-102		FAN DUCT COWL AND THRUST- REVERSER ASSY-(REWORK) (RH SIDE LH ENG) (PRE SB 767-54A0027)	X	RF
-5K	315T3001-98SP		(PRE SB 767-78-0061)		
-5L	315T3001-102SP		FAN DUCT COWL AND THRUST- REVERSER ASSY-(REWORK) (RH SIDE LH ENG) (PRE SB 767-54A0027) (PRE SB 767-78-0061) (PRE SB 767-78-0043)	Y	RF
-5M	315T3001-118SP		FAN DUCT COWL AND THRUST- REVERSER ASSY-(REWORK) (RH SIDE LH ENG) (PRE SB 767-54A0027) (PRE SB 767-78-0061)	AP	RF
-5N	315T3001-122SP		FAN DUCT COWL AND THRUST- REVERSER ASSY-(RH SIDE LH ENG) (PRE SB 767-78-0061)	AT	RF
-5P	315T3001-126SP		FAN DUCT COWL AND THRUST- REVERSER ASSY-(RH SIDE LH ENG) (PRE SB 767-78-0061)	AX	RF
-5Q	315T3001-130SP		FAN DUCT COWL AND THRUST- REVERSER ASSY-(VARIABLE) (RH SIDE LH ENG) (PRE SB 767-78-0061)	BB	RF
-5R	315T3001-134SP		FAN DUCT COWL AND THRUST- REVERSER ASSY-(RH SIDE LH ENG)	BH	RF
-5S	315T3001-138SP		FAN DUCT COWL AND THRUST- REVERSER ASSY-(RH SIDE LH ENG)	BJ	RF
-5T	315T3001-142SP		FAN DUCT COWL AND THRUST- REVERSER ASSY-(VARIABLE) (RH SIDE LH ENG)	BK	RF
-5U	015T0438-28		FAN DUCT COWL AND THRUST- REVERSER ASSY-(RH SIDE LH ENG) (POST SB 767-54A0027) (PRE SB 767-78-0061)	CE	RF

78-31-14

ILLUSTRATED PARTS LIST
 01.1 Page 1052G
 Jul 01/04

FIG. & ITEM	PART NO.	AIRLINE PART NUMBER	NOMENCLATURE 1234567	EFF CODE	QTY PER ASSY
09- -5V	015T0438-74		FAN DUCT COWL AND THRUST- REVERSER ASSY--(RH SIDE LH ENG) (POST SB 767-54A0027) (PRE SB 767-78-0061)	CD	RF
-5W	015T0438-32		FAN DUCT COWL AND THRUST- REVERSER ASSY--(RH SIDE LH ENG) (POST SB 767-54A0027) (PRE SB 767-78-0061)	CF	RF
-5X -5Y	315T3001-135SP 315T3001-142SP		DELETED FAN DUCT COWL AND THRUST- REVERSER ASSY--(VARIABLE) (RH SIDE LH ENG) (POST SB 767-54A0027) (PRE SB 767-78-0061)	CH	RF
-5Z	315T3001-138SP		FAN DUCT COWL AND THRUST- REVERSER ASSY--(RH SIDE LH ENG) (POST SB 767-54A0027) (PRE SB 767-78-0061)	CJ	RF
-6	015T0438-44		FAN DUCT COWL AND THRUST- REVERSER ASSY--(RH SIDE LH ENG) (POST SB 767-54A0027) (PRE SB 767-78-0061)	CK	RF
-6A	015T0438-52		FAN DUCT COWL AND THRUST- REVERSER ASSY--(RH SIDE LH ENG) (POST SB 767-54A0027) (PRE SB 767-78-0061)	CL	RF
-6B	015T0438-48		FAN DUCT COWL AND THRUST- REVERSER ASSY--(RH SIDE LH ENG) (POST SB 767-54A0027) (PRE SB 767-78-0061)	CM	RF
-6C	315T3001-134SP		FAN DUCT COWL AND THRUST- REVERSER ASSY--(RH SIDE LH ENG) (POST SB 767-54A0027) (PRE SB 767-78-0061)	CG	RF
-6D	015T0438-36		FAN DUCT COWL AND THRUST- REVERSER ASSY--(RH SIDE LH ENG) (PRE SB 767-78-0061)	JB	RF

78-31-14

 ILLUSTRATED PARTS LIST
 01.1 Page 1052H
 Jul 01/04

015T0438
 315T3001
 315T4726
 315T3055

 **BOEING**
 COMPONENT
 MAINTENANCE MANUAL

FIG. & ITEM	PART NO.	AIRLINE PART NUMBER	NOMENCLATURE 1234567	EFF CODE	QTY PER ASSY
09- -6E	315T3055-4		FAN DUCT COWL AND THRUST- REVERSER ASSY-(RH SIDE LH ENG) (POST SB 767-78-0043) (PRE SB 767-78-0061)	JH	RF
-6F	315T3055-8		FAN DUCT COWL AND THRUST- REVERSER ASSY-(RH SIDE LH ENG) (POST SB 767-78-0043) (PRE SB 767-78-0061)	JJ	RF
-6G	315T4726-182		FAN DUCT COWL AND THRUST- REVERSER ASSY-(RH SIDE LH ENG) (POST SB 767-78-0061)	JH	RF
-6H	315T4726-186		FAN DUCT COWL AND THRUST- REVERSER ASSY-(RH SIDE LH ENG) (POST SB 767-78-0061)	JL	RF
R -6J	015T0438-40		FAN DUCT COWL AND THRUST- REVERSER ASSY-(RH SIDE LH ENG) (POST SB 767-78-0061) (PRE SB 767-54A0027) (PRE SB 767-78-0061)	KB	RF
R -6K	315T4726-80		FAN DUCT COWL AND THRUST- REVERSER ASSY-(RH SIDE LH ENG) (POST SB 767-78-0061)	KC	RF
-7	315T4726-68		FAN DUCT COWL AND THRUST- REVERSER ASSY-(RH SIDE LH ENG) (POST SB 767-78-0061)	DT	RF
-7A	315T4726-76		FAN DUCT COWL AND THRUST- REVERSER ASSY-(RH SIDE LH ENG) (POST SB 767-78-0061)	DX	RF
-7B	315T4726-64		FAN DUCT COWL AND THRUST- REVERSER ASSY-(RH SIDE LH ENG) (POST SB 767-78-0061)	EB	RF
-7C	315T4726-132		FAN DUCT COWL AND THRUST- REVERSER ASSY-(RH SIDE LH ENG) (POST SB 767-78-0061)	HP	RF

78-31-14

ILLUSTRATED PARTS LIST
 01.1 Page 1052I
 Jul 01/04

FIG. & ITEM	PART NO.	AIRLINE PART NUMBER	NOMENCLATURE 1234567	EFF CODE	QTY PER ASSY
09- -7D	315T4726-136		FAN DUCT COWL AND THRUST- REVERSER ASSY-(RH SIDE LH ENG) (POST SB 767-78-0061)	HQ	RF
-7E	315T4726-152		FAN DUCT COWL AND THRUST- REVERSER ASSY-(RH SIDE LH ENG) (POST SB 767-78-0061)	JC	RF
-8	315T4726-61		FAN DUCT COWL AND THRUST- REVERSER ASSY-(LH SIDE RH ENG) (POST SB 767-78-0061)	DL	RF
-8A	315T4726-69		FAN DUCT COWL AND THRUST- REVERSER ASSY-(LH SIDE RH ENG) (POST SB 767-78-0061)	DU	RF
-8B	315T4726-65		FAN DUCT COWL AND THRUST- REVERSER ASSY-(LH SIDE RH ENG) (POST SB 767-78-0061)	EC	RF
-8C	315T4726-117		FAN DUCT COWL AND THRUST- REVERSER ASSY-(LH SIDE RH ENG) (POST SB 767-78-0061)	EQ	RF
-8D	315T4726-53		FAN DUCT COWL AND THRUST- REVERSER ASSY-(LH SIDE RH ENG) (POST SB 767-78-0061)	FB	RF
-8E	315T4726-129		FAN DUCT COWL AND THRUST- REVERSER ASSY-(LH SIDE RH ENG) (POST SB 767-78-0061)	FE	RF
-8F	315T4726-149		FAN DUCT COWL AND THRUST- REVERSER ASSY-(LH SIDE RH ENG) (POST SB 767-78-0061)	FL	RF
-8G	315T4726-157		FAN DUCT COWL AND THRUST- REVERSER ASSY-(LH SIDE RH ENG) (POST SB 767-78-0061)	FQ	RF
-8H	315T4726-167		FAN DUCT COWL AND THRUST- REVERSER ASSY-(LH SIDE RH ENG) (POST SB 767-78-0061)	FU	RF

78-31-14

 ILLUSTRATED PARTS LIST
 01.1 Page 1052J
 Jul 01/04

015T0438
 315T3001
 315T4726
 315T3055

 **BOEING**
 COMPONENT
 MAINTENANCE MANUAL

FIG. & ITEM	PART NO.	AIRLINE PART NUMBER	NOMENCLATURE 1234567	EFF CODE	QTY PER ASSY
09- -8J	315T4726-171		FAN DUCT COWL AND THRUST- REVERSER ASSY-(LH SIDE RH ENG) (POST SB 767-78-0061)	FY	RF
-8K	315T4726-179		FAN DUCT COWL AND THRUST- REVERSER ASSY-(LH SIDE RH ENG) (POST SB 767-78-0061)	GC	RF
-8L	315T4726-57		FAN DUCT COWL AND THRUST- REVERSER ASSY-(LH SIDE RH ENG) (POST SB 767-78-0061)	GG	RF
-8M	315T4726-89		FAN DUCT COWL AND THRUST- REVERSER ASSY-(LH SIDE RH ENG) (POST SB 767-78-0061)	GL	RF
-8N	315T4726-97		FAN DUCT COWL AND THRUST- REVERSER ASSY-(LH SIDE RH ENG) (POST SB 767-78-0061)	GQ	RF
-8P	315T4726-85		FAN DUCT COWL AND THRUST- REVERSER ASSY-(LH SIDE RH ENG) (POST SB 767-78-0061)	GY	RF
-8Q	315T4726-93		FAN DUCT COWL AND THRUST- REVERSER ASSY-(LH SIDE RH ENG) (POST SB 767-78-0061)	HC	RF
-8R	315T4726-48		FAN DUCT COWL AND THRUST- REVERSER ASSY-(LH SIDE RH ENG) (POST SB 767-78-0061)	GT	RF
-10	315T3001-45SP		FAN DUCT COWL AND THRUST- REVERSER ASSY-(LH SIDE RH ENG) (PRE SB 767-54A0027) (PRE SB 767-78-0061)	S	RF
-10A	315T3001-57SP		FAN DUCT COWL AND THRUST- REVERSER ASSY-(LH SIDE RH ENG) (PRE SB 767-54A0027) (PRE SB 767-78-0061)	G	RF

78-31-14

ILLUSTRATED PARTS LIST
 01.1 Page 1052K
 Jul 01/04

FIG. & ITEM	PART NO.	AIRLINE PART NUMBER	NOMENCLATURE 1234567	EFF CODE	QTY PER ASSY
09- -10B	315T3001-67SP		FAN DUCT COWL AND THRUST- REVERSER ASSY-(LH SIDE RH ENG) (PRE SB 767-54A0027) (PRE SB 767-78-0061) (PRE SB 767-78-0043)	T	RF
-10C	315T3001-75SP		FAN DUCT COWL AND THRUST- REVERSER ASSY-(LH SIDE RH ENG) (PRE SB 767-54A0027) (PRE SB 767-78-0061)	HS	RF
-10D	315T3001-79SP		FAN DUCT COWL AND THRUST- REVERSER ASSY-(LH SIDE RH ENG) (PRE SB 767-54A0027) (PRE SB 767-78-0061)	HT	RF
-10E	315T3001-95SP		FAN DUCT COWL AND THRUST- REVERSER ASSY-(VARIABLE) (LH SIDE RH ENG) (PRE SB 767-54A0027) (PRE SB 767-78-0061)	AG	RF
-10F	315T3001-107SP		FAN DUCT COWL AND THRUST- REVERSER ASSY-(LH SIDE RH ENG) (PRE SB 767-54A0027) (PRE SB 767-78-0061)	AL	RF
-10G	315T3001-99		DELETED		
-10H	315T3001-103		DELETED		
-10J	315T3001-99SP		FAN DUCT COWL AND THRUST- REVERSER ASSY-(REWORK) (LH SIDE RH ENG) (PRE SB 767-54A0027) (PRE SB 767-78-0061)	U	RF
-10K	315T3001-103SP		FAN DUCT COWL AND THRUST- REVERSER ASSY-(REWORK) (LH SIDE RH ENG) (PRE SB 767-54A0027) (PRE SB 767-78-0061) (PRE SB 767-78-0043)	AA	RF
-10L	315T3001-119SP		FAN DUCT COWL AND THRUST- REVERSER ASSY-(REWORK) (LH SIDE RH ENG) (PRE SB 767-54A0027) (PRE SB 767-78-0061)	AQ	RF

78-31-14

 ILLUSTRATED PARTS LIST
 01.1 Page 1052L
 Jul 01/04

015T0438
 315T3001
 315T4726
 315T3055

 **BOEING**
 COMPONENT
 MAINTENANCE MANUAL

FIG. & ITEM	PART NO.	AIRLINE PART NUMBER	NOMENCLATURE 1234567	EFF CODE	QTY PER ASSY
09- -10M	315T3001-123SP		FAN DUCT COWL AND THRUST- REVERSER ASSY-(LH SIDE RH ENG) (PRE SB 767-78-0061)	AU	RF
-10N	315T3001-127SP		FAN DUCT COWL AND THRUST- REVERSER ASSY-(LH SIDE RH ENG) (PRE SB 767-78-0061)	AY	RF
-10P	315T3001-131SP		FAN DUCT COWL AND THRUST- REVERSER ASSY-(VARIABLE) (LH SIDE RH ENG) (PRE SB 767-78-0061)	BC	RF
-10Q	315T3001-135SP		FAN DUCT COWL AND THRUST- REVERSER ASSY-(LH SIDE RH ENG)	BL	RF
-10R	315T3001-139SP		FAN DUCT COWL AND THRUST- REVERSER ASSY-(LH SIDE RH ENG)	BM	RF
-10S	315T3001-143SP		FAN DUCT COWL AND THRUST- REVERSER ASSY-(VARIABLE) (LH SIDE RH ENG)	BN	RF
-10T	015T0438-29		FAN DUCT COWL AND THRUST- REVERSER ASSY-(LH SIDE RH ENG) (POST SB 767-54A0027) (PRE SB 767-78-0061)	CR	RF
-10U	315T3001-134SP		DELETED		
-10V	015T0438-29		DELETED		
-10W	315T3001-143SP		FAN DUCT COWL AND THRUST- REVERSER ASSY-(VARIABLE) (LH SIDE RH ENG) (POST SB 767-54A0027) (PRE SB 767-78-0061)	CT	RF
-10X	315T3001-139SP		FAN DUCT COWL AND THRUST- REVERSER ASSY-(LH SIDE RH ENG) (POST SB 767-54A0027) (PRE SB 767-78-0061)	CU	RF
-10Y	015T0438-45		FAN DUCT COWL AND THRUST- REVERSER ASSY-(LH SIDE RH ENG) (POST SB 767-54A0027) (PRE SB 767-78-0061)	CV	RF

78-31-14

ILLUSTRATED PARTS LIST
 01.1 Page 1052M
 Jul 01/04

FIG. & ITEM	PART NO.	AIRLINE PART NUMBER	NOMENCLATURE 1234567	EFF CODE	QTY PER ASSY
09- -10Z	015T0438-53		FAN DUCT COWL AND THRUST- REVERSER ASSY-(LH SIDE RH ENG) (POST SB 767-54A0027) (PRE SB 767-78-0061)	CW	RF
-11	015T0438-49		FAN DUCT COWL AND THRUST- REVERSER ASSY-(LH SIDE RH ENG) (POST SB 767-54A0027) (PRE SB 767-78-0061)	CX	RF
-11A	015T0438-33		FAN DUCT COWL AND THRUST- REVERSER ASSY-(LH SIDE RH ENG) (POST SB 767-54A0027) (PRE SB 767-78-0061)	CS	RF
-11B	315T4726-73		FAN DUCT COWL AND THRUST- REVERSER ASSY-(LH SIDE RH ENG) (POST SB 767-78-0061)	DQ	RF
-11C	315T4726-77		FAN DUCT COWL AND THRUST- REVERSER ASSY-(LH SIDE RH ENG) (POST SB 767-78-0061)	DY	RF
-11D	315T3001-135SP		FAN DUCT COWL AND THRUST- REVERSER ASSY-(LH SIDE RH ENG) (POST SB 767-54A0027) (PRE SB 767-78-0061)	CP	RF
-11E	315T4726-133		FAN DUCT COWL AND THRUST- REVERSER ASSY-(LH SIDE RH ENG) (POST SB 767-78-0061)	HV	RF
-11F	315T4726-137		FAN DUCT COWL AND THRUST- REVERSER ASSY-(LH SIDE RH ENG) (POST SB 767-78-0061)	HW	RF
-11G	315T3055-5		FAN DUCT COWL AND THRUST- REVERSER ASSY-(LH SIDE RH ENG) (POST SB 767-78-0043) (PRE SB 767-78-0061)	JM	RF

78-31-14

 ILLUSTRATED PARTS LIST
 01.1 Page 1052N
 Jul 01/04

015T0438
 315T3001
 315T4726
 315T3055

 **BOEING**
 COMPONENT
 MAINTENANCE MANUAL

FIG. & ITEM	PART NO.	AIRLINE PART NUMBER	NOMENCLATURE 1234567	EFF CODE	QTY PER ASSY
09- -11H	315T3055-9		FAN DUCT COWL AND THRUST- REVERSER ASSY-(LH SIDE RH ENG) (POST SB 767-78-0043) (PRE SB 767-78-0061)	JN	RF
-11J	315T4726-183		FAN DUCT COWL AND THRUST- REVERSER ASSY-(LH SIDE RH ENG) (POST SB 767-78-0061)	JP	RF
-11K	315T4726-187		FAN DUCT COWL AND THRUST- REVERSER ASSY-(LH SIDE RH ENG) (POST SB 767-78-0061)	JQ	RF
R -11L	015T0438-37		FAN DUCT COWL AND THRUST- REVERSER ASSY-(LH SIDE RH ENG) (POST SB 767-54A0027) (PRE SB 767-78-0061)	KD	RF
R -11M	015T0438-41		FAN DUCT COWL AND THRUST- REVERSER ASSY-(LH SIDE RH ENG) (POST SB 767-54A0027) (PRE SB 767-78-0061)	KE	RF
R -11N	315T4726-81		FAN DUCT COWL AND THRUST- REVERSER ASSY-(LH SIDE RH ENG) (POST SB 767-78-0061)	KG	RF
R -11P	315T4726-153		FAN DUCT COWL AND THRUST- REVERSER ASSY-(LH SIDE RH ENG) (POST SB 767-78-0061)	KJ	RF
-12	315T4726-70		FAN DUCT COWL AND THRUST- REVERSER ASSY-(RH SIDE RH ENG) (POST SB 767-78-0061)	DV	RF
-12A	315T4726-78		FAN DUCT COWL AND THRUST- REVERSER ASSY-(RH SIDE RH ENG) (POST SB 767-78-0061)	DZ	RF
-12B	315T4726-66		FAN DUCT COWL AND THRUST- REVERSER ASSY-(RH SIDE RH ENG) (POST SB 767-78-0061)	ED	RF

78-31-14

ILLUSTRATED PARTS LIST
 01.1 Page 10520
 Jul 01/04

FIG. & ITEM	PART NO.	AIRLINE PART NUMBER	NOMENCLATURE 1234567	EFF CODE	QTY PER ASSY
09-13	315T4726-62		FAN DUCT COWL AND THRUST-REVERSER ASSY-(RH SIDE RH ENG) (POST SB 767-78-0061)	DM	RF
-13A	315T4726-74		FAN DUCT COWL AND THRUST-REVERSER ASSY-(RH SIDE RH ENG) (POST SB 767-78-0061)	DR	RF
-13B	315T4726-46		FAN DUCT COWL AND THRUST-REVERSER ASSY-(RH SIDE RH ENG) (POST SB 767-78-0061)	EM	RF
-13C	315T4726-118		FAN DUCT COWL AND THRUST-REVERSER ASSY-(RH SIDE RH ENG) (POST SB 767-78-0061)	ER	RF
-13D	315T4726-126		FAN DUCT COWL AND THRUST-REVERSER ASSY-(RH SIDE RH ENG) (POST SB 767-78-0061)	EZ	RF
-13E	315T4726-130		FAN DUCT COWL AND THRUST-REVERSER ASSY-(RH SIDE RH ENG) (POST SB 767-78-0061)	FF	RF
-13F	315T4726-54		FAN DUCT COWL AND THRUST-REVERSER ASSY-(RH SIDE RH ENG) (POST SB 767-78-0061)	FH	RF
-13G	315T4726-150		FAN DUCT COWL AND THRUST-REVERSER ASSY-(RH SIDE RH ENG) (POST SB 767-78-0061)	FM	RF
-13H	315T4726-158		FAN DUCT COWL AND THRUST-REVERSER ASSY-(RH SIDE RH ENG) (POST SB 767-78-0061)	FR	RF
-13J	315T4726-168		FAN DUCT COWL AND THRUST-REVERSER ASSY-(RH SIDE RH ENG) (POST SB 767-78-0061)	FV	RF
-13K	315T4726-172		FAN DUCT COWL AND THRUST-REVERSER ASSY-(RH SIDE RH ENG) (POST SB 767-78-0061)	FZ	RF

78-31-14

 ILLUSTRATED PARTS LIST
 01.1 Page 1052P
 Jul 01/04

015T0438
 315T3001
 315T4726
 315T3055

 **BOEING**
 COMPONENT
 MAINTENANCE MANUAL

FIG. & ITEM	PART NO.	AIRLINE PART NUMBER	NOMENCLATURE 1234567	EFF CODE	QTY PER ASSY
09- -13L	315T4726-180		FAN DUCT COWL AND THRUST- REVERSER ASSY-(RH SIDE RH ENG) (POST SB 767-78-0061)	GD	RF
-13M	315T4726-58		FAN DUCT COWL AND THRUST- REVERSER ASSY-(RH SIDE RH ENG) (POST SB 767-78-0061)	GH	RF
-13N	315T4726-90		FAN DUCT COWL AND THRUST- REVERSER ASSY-(RH SIDE RH ENG) (POST SB 767-78-0061)	GM	RF
-13P	315T4726-98		FAN DUCT COWL AND THRUST- REVERSER ASSY-(RH SIDE RH ENG) (POST SB 767-78-0061)	GR	RF
-13Q	315T4726-50		FAN DUCT COWL AND THRUST- REVERSER ASSY-(RH SIDE RH ENG) (POST SB 767-78-0061)	GV	RF
-13R	315T4726-86		FAN DUCT COWL AND THRUST- REVERSER ASSY-(RH SIDE RH ENG) (POST SB 767-78-0061)	GZ	RF
-13S	315T4726-94		FAN DUCT COWL AND THRUST- REVERSER ASSY-(RH SIDE RH ENG) (POST SB 767-78-0061)	HD	RF
-13T	315T4726-134		FAN DUCT COWL AND THRUST- REVERSER ASSY-(RH SIDE RH ENG) (POST SB 767-78-0061)	HZ	RF
-13U	315T4726-138		FAN DUCT COWL AND THRUST- REVERSER ASSY-(RH SIDE RH ENG) (POST SB 767-78-0061)	JA	RF
-13V	315T3055-6		FAN DUCT COWL AND THRUST- REVERSER ASSY-(RH SIDE RH ENG) (POST SB 767-78-0061) (POST SB 767-78-0043) (PRE SB 767-78-0061)	JR	RF

78-31-14

ILLUSTRATED PARTS LIST
 01.1 Page 1052Q
 Jul 01/04

FIG. & ITEM	PART NO.	AIRLINE PART NUMBER	NOMENCLATURE 1234567	EFF CODE	QTY PER ASSY
09- -13W	315T3055-10		FAN DUCT COWL AND THRUST- REVERSER ASSY-(RH SIDE RH ENG) (POST SB 767-78-0043) (PRE SB 767-78-0061)	JS	RF
-13X	315T4726-184		FAN DUCT COWL AND THRUST- REVERSER ASSY-(RH SIDE RH ENG) (POST SB 767-78-0061)	JT	RF
-13Y	315T4726-188		FAN DUCT COWL AND THRUST- REVERSER ASSY-(RH SIDE RH ENG) (POST SB 767-78-0061)	JU	RF
R -14T	015T0438-38		FAN DUCT COWL AND THRUST- REVERSER ASSY-(RH SIDE RH ENG) (POST SB 767-78-0061) (PRE SB 767-54A0027)	KK	RF
R -14U	015T0438-42		FAN DUCT COWL AND THRUST- REVERSER ASSY-(RH SIDE RH ENG) (POST SB 767-54A0027) (PRE SB 767-78-0061)	KL	RF
R -14V	315T4726-82		FAN DUCT COWL AND THRUST- REVERSER ASSY-(RH SIDE RH ENG) (POST SB 767-78-0061)	KM	RF
R -14W	315T4726-154		FAN DUCT COWL AND THRUST- REVERSER ASSY-(RH SIDE RH ENG) (POST SB 767-78-0061)	KN	RF
-14X	015T0438-46		FAN DUCT COWL AND THRUST- REVERSER ASSY-(RH SIDE RH ENG) (POST SB 767-54A0027) (PRE SB 767-78-0061)	DF	RF
-14Y	015T0438-54		FAN DUCT COWL AND THRUST- REVERSER ASSY-(RH SIDE RH ENG) (POST SB 767-54A0027) (PRE SB 767-78-0061)	DG	RF

78-31-14

 ILLUSTRATED PARTS LIST
 01.1 Page 1052R
 Jul 01/04

015T0438
 315T3001
 315T4726
 315T3055

 **BOEING**
 COMPONENT
 MAINTENANCE MANUAL

FIG. & ITEM	PART NO.	AIRLINE PART NUMBER	NOMENCLATURE 1234567	EFF CODE	QTY PER ASSY
09- -14Z	015T0438-50		FAN DUCT COWL AND THRUST- REVERSER ASSY-(RH SIDE RH ENG) (POST SB 767-54A0027) (PRE SB 767-78-0061)	DH	RF
-15	315T3001-46SP		FAN DUCT COWL AND THRUST- REVERSER ASSY-(RH SIDE RH ENG) (PRE SB 767-54A0027) (PRE SB 767-78-0061)	V	RF
-15A	315T3001-54SP		FAN DUCT COWL AND THRUST- REVERSER ASSY-(RH SIDE RH ENG) (PRE SB 767-54A0027) (PRE SB 767-78-0061)	H	RF
-15B	315T3001-68SP		FAN DUCT COWL AND THRUST- REVERSER ASSY-(RH SIDE RH ENG) (PRE SB 767-54A0027) (PRE SB 767-78-0061) (PRE SB 767-78-0043)	W	RF
-15C	315T3001-76SP		FAN DUCT COWL AND THRUST- REVERSER ASSY-(RH SIDE RH ENG) (PRE SB 767-54A0027) (PRE SB 767-78-0061)	HX	RF
-15D	315T3001-80SP		FAN DUCT COWL AND THRUST- REVERSER ASSY-(RH SIDE RH ENG) (PRE SB 767-54A0027) (PRE SB 767-78-0061)	HY	RF
-15E	315T3001-84SP		FAN DUCT COWL AND THRUST- REVERSER ASSY-(RH SIDE RH ENG) (PRE SB 767-54A0027) (PRE SB 767-78-0061)	AD	RF
-15F	315T3001-96SP		FAN DUCT COWL AND THRUST- REVERSER ASSY-(VARIABLE) (RH SIDE RH ENG) (PRE SB 767-54A0027) (PRE SB 767-78-0061)	AH	RF

78-31-14

ILLUSTRATED PARTS LIST
 01.1 Page 1052S
 Jul 01/04

FIG. & ITEM	PART NO.	AIRLINE PART NUMBER	NOMENCLATURE 1234567	EFF CODE	QTY PER ASSY
09- -15G	315T3001-108SP		FAN DUCT COWL AND THRUST- REVERSER ASSY--(RH SIDE RH ENG) (PRE SB 767-54A0027) (PRE SB 767-78-0061)	AM	RF
-15H	315T3001-100		DELETED		
-15J	315T3001-104		DELETED		
-15K	315T3001-100SP		FAN DUCT COWL AND THRUST- REVERSER ASSY--(REWORK) (RH SIDE RH ENG) (PRE SB 767-54A0027) (PRE SB 767-78-0061)	AB	RF
-15L	315T3001-104SP		FAN DUCT COWL AND THRUST- REVERSER ASSY--(REWORK) (RH SIDE RH ENG) (PRE SB 767-54A0027) (PRE SB 767-78-0061) (PRE SB 767-78-0043)	AC	RF
-15M	315T3001-120SP		FAN DUCT COWL AND THRUST- REVERSER ASSY--(REWORK) (RH SIDE RH ENG) (PRE SB 767-54A0027) (PRE SB 767-78-0061)	AR	RF
-15N	315T3001-124SP		FAN DUCT COWL AND THRUST- REVERSER ASSY--(RH SIDE RH ENG) (PRE SB 767-78-0061)	AV	RF
-15P	315T3001-128SP		FAN DUCT COWL AND THRUST- REVERSER ASSY--(RH SIDE RH ENG) (PRE SB 767-78-0061)	AZ	RF
-15Q	315T3001-132SP		FAN DUCT COWL AND THRUST- REVERSER ASSY--(VARIABLE) (RH SIDE RH ENG) (PRE SB 767-78-0061)	BD	RF
-15R	315T3001-136SP		FAN DUCT COWL AND THRUST- REVERSER ASSY--(RH SIDE RH ENG)	BP	RF
-15S	315T3001-140SP		FAN DUCT COWL AND THRUST- REVERSER ASSY--(RH SIDE RH ENG)	BQ	RF
-15T	315T3001-144SP		FAN DUCT COWL AND THRUST- REVERSER ASSY--(VARIABLE) (RH SIDE RH ENG)	BR	RF

78-31-14

 ILLUSTRATED PARTS LIST
 01.1 Page 1052T
 Jul 01/04

015T0438
 315T3001
 315T4726
 315T3055

 **BOEING**
 COMPONENT
 MAINTENANCE MANUAL

FIG. & ITEM	PART NO.	AIRLINE PART NUMBER	NOMENCLATURE 1234567	EFF CODE	QTY PER ASSY
09- -15U	015T0438-30		FAN DUCT COWL AND THRUST- REVERSER ASSY-(RH SIDE RH ENG) (POST SB 767-54A0027) (PRE SB 767-78-0061)	DA	RF
-15V	015T0438-76		FAN DUCT COWL AND THRUST- REVERSER ASSY-(RH SIDE RH ENG) (POST SB 767-54A0027) (PRE SB 767-78-0061)	CZ	RF
-15W	015T0438-34		FAN DUCT COWL AND THRUST- REVERSER ASSY-(RH SIDE RH ENG) (POST SB 767-54A0027) (PRE SB 767-78-0061)	DB	RF
-15X	315T3001-136SP		FAN DUCT COWL AND THRUST- REVERSER ASSY-(RH SIDE RH ENG) (POST SB 767-54A0027) (PRE SB 767-78-0061)	DC	RF
-15Y	315T3001-144SP		FAN DUCT COWL AND THRUST- REVERSER ASSY-(VARIABLE) (RH SIDE RH ENG) (POST SB 767-54A0027) (PRE SB 767-78-0061)	DD	RF
-15Z	315T3001-140SP		FAN DUCT COWL AND THRUST- REVERSER ASSY-(RH SIDE RH ENG) (POST SB 767-54A0027) (PRE SB 767-78-0061)	DE	RF

78-31-14

ILLUSTRATED PARTS LIST
 01.1 Page 1052U
 Jul 01/04

FIG. & ITEM	PART NO.	AIRLINE PART NUMBER	NOMENCLATURE	EFF CODE	QTY PER ASSY
09-16	315T3001-7001		1234567 .COLLECTOR-COMMON PARTS	E,G, L-P, S-U,A A,AE, AG,AJ AL,AN ,AQ,A S,AU, AW,AY ,BA BC,B E-BG, BL-BN ,BT,B V-CB CP,C R-CX, DJ,DL ,DN,D Q,DS DU,DW ,DY, EA,EC ,EN,E Q FA-FC ,FE,F J,FL, FN,FQ ,FS FU,FW ,FY, GA,GC ,GE,G G,GJ GL,GN ,GQ,G S,GT,	1

78-31-14

ILLUSTRATED PARTS LIST
 01.1 Page 1052V
 Jul 01/04

015T0438
 315T3001
 315T4726
 315T3055

 **BOEING**
 COMPONENT
 MAINTENANCE MANUAL

FIG. & ITEM	PART NO.	AIRLINE PART NUMBER	NOMENCLATURE 1234567	EFF CODE	QTY PER ASSY
09-				GW,GY ,HA HC,HG ,HH,H K,HL, HS,HT ,HV HW,J D-JG, JM-JQ ,JV,J W,JY KA,KD ,KE, KG,KJ	

78-31-14

ILLUSTRATED PARTS LIST
 01.1 Page 1052W
 Jul 01/04

FIG. & ITEM	PART NO.	AIRLINE PART NUMBER	NOMENCLATURE	EFF CODE	QTY PER ASSY
09-17	315T3001-7002		1234567 .COLLECTOR-COMMON PARTS	F,H,Q ,R, V-Z,A B-AD, AF,AH AK,AM ,AP,A R,AT, AV,AX ,AZ BB,BD ,BH-B K,B P-BR, CD-CM CZ-DH ,DK,D M,DP, DR,DT ,DV DX,DZ ,EB, ED,EK ,EM,E P,ER EX,EZ ,FD,F F,FG, FH,FK ,FM FP,FR ,FT,F V,FX, FZ,GB ,GD GF,GH ,GK,G M,GP,	1

78-31-14

 ILLUSTRATED PARTS LIST
 01.1 Page 1052X
 Jul 01/04

015T0438
 315T3001
 315T4726
 315T3055

 **BOEING**
 COMPONENT
 MAINTENANCE MANUAL

FIG. & ITEM	PART NO.	AIRLINE PART NUMBER	NOMENCLATURE 1234567	EFF CODE	QTY PER ASSY
09-				GR,GU ,GV GX,GZ ,HB, HD,H M-HQ, HX-JC JH-JL ,JR-J U,KB, KC,K K-KM	

78-31-14

ILLUSTRATED PARTS LIST
 01.1 Page 1052Y
 Jul 01/04

FIG. & ITEM	PART NO.	AIRLINE PART NUMBER	NOMENCLATURE	EFF CODE	QTY PER ASSY
09-20	315T3579-7SP		1234567 ..FAIRING INSTL-LWR TRACK	E,G, L-P, S-U,A A,AE, AG,AJ AL,AN ,AQ,A S,AU, AW,AY ,BA BC,B E-BG, BL-BN ,BT,B V-CB CP,C R-CX, DJ,DL ,DN,D Q,DS DU,DW ,DY, EA,EC ,EN,E Q FA-FC ,FE,F J,FL, FN,FQ ,FS FU,FW ,FY, GA,GC ,GE,G G,GJ GL,GN ,GQ,G S,GT,	1

78-31-14

015T0438
 315T3001
 315T4726
 315T3055

 **BOEING**
 COMPONENT
 MAINTENANCE MANUAL

FIG. & ITEM	PART NO.	AIRLINE PART NUMBER	NOMENCLATURE 1234567	EFF CODE	QTY PER ASSY
09-				GW,GY ,HA HC,HG ,HH,H K,HL, HS,HT ,HV HW,J D-JG, JM-JQ ,JV,J W,JY KA,KD ,KE, KG,KJ	

78-31-14

ILLUSTRATED PARTS LIST
 01.1 Page 1053
 Jul 01/04

FIG. & ITEM	PART NO.	AIRLINE PART NUMBER	NOMENCLATURE	EFF CODE	QTY PER ASSY
09-23	315T3705-65		1234567 ...BRACKET ASSY-ATTACH	E,G, L-P, S-U,A A,AE, AG,AJ AL,AN ,AQ,A S,AU, AW,AY ,BA BC,B E-BG, BL-BN ,BT,B V-CB CP,C R-CX, DJ,DL ,DN,D Q,DS DU,DW ,DY, EA,EC ,EN,E Q FA-FC ,FE,F J,FL, FN,FQ ,FS FU,FW ,FY, GA,GC ,GE,G G,GJ GL,GN ,GQ,G S,GT,	1

78-31-14

 ILLUSTRATED PARTS LIST
 01.1 Page 1054
 Jul 01/04

015T0438
 315T3001
 315T4726
 315T3055

 **BOEING**
 COMPONENT
 MAINTENANCE MANUAL

FIG. & ITEM	PART NO.	AIRLINE PART NUMBER	NOMENCLATURE 1234567	EFF CODE	QTY PER ASSY
09-				GW,GY ,HA HC,HG ,HH,H K,HL, HS,HT ,HV HW,J D-JG, JM-JQ ,JV,J W,JY KA,KD ,KE, KG,KJ	

78-31-14

ILLUSTRATED PARTS LIST
 01.1 Page 1054A
 Jul 01/04

FIG. & ITEM	PART NO.	AIRLINE PART NUMBER	NOMENCLATURE	EFF CODE	QTY PER ASSY
09- 26	BACB30LJ3-7		1234567 ATTACHING PARTS ...BOLT	E,G, L-P, S-U,A A,AE, AG,AJ AL,AN ,AQ,A S,AU, AW,AY ,BA BC,B E-BG, BL-BN ,BT,B V-CB CP,C R-CX, DJ,DL ,DN,D Q,DS DU,DW ,DY, EA,EC ,EN,E Q FA-FC ,FE,F J,FL, FN,FQ ,FS FU,FW ,FY, GA,GC ,GE,G G,GJ FL,GN ,GQ,G S,GT,	2

78-31-14

 ILLUSTRATED PARTS LIST
 01.1 Page 1054B
 Jul 01/04

015T0438
 315T3001
 315T4726
 315T3055

 **BOEING**
 COMPONENT
 MAINTENANCE MANUAL

FIG. & ITEM	PART NO.	AIRLINE PART NUMBER	NOMENCLATURE 1234567	EFF CODE	QTY PER ASSY
09-				GW,GY ,HA HC,HG ,HH,H K,HL, HS,HT ,HV HW,J D-JG, JM-JQ ,JV,J W,JY KA,KD ,KE, KG,KJ	

78-31-14

ILLUSTRATED PARTS LIST
 01.1 Page 1054C
 Jul 01/04

FIG. & ITEM	PART NO.	AIRLINE PART NUMBER	NOMENCLATURE	EFF CODE	QTY PER ASSY
09- 29 29A	BACB30LJ3-3 BACB30LL3-3		1234567 DELETED ...BOLT	E,G, L-P, S-U,A A,AE, AG,AJ AL,AN ,AQ,A S,AU, AW,AY ,BA BC,B E-BG, BL-BN ,BT,B V-CB CP,C R-CX, DJ,DL ,DN,D Q,DS DU,DW ,DY, EA,EC ,EN,E Q FA-FC ,FE,F J,FL, FN,FQ ,FS FU,FW ,FY, GA,GC ,GE,G G,GJ FL,GN ,GQ,G S,GT,	4

78-31-14

015T0438
 315T3001
 315T4726
 315T3055

 **BOEING**
 COMPONENT
 MAINTENANCE MANUAL

FIG. & ITEM	PART NO.	AIRLINE PART NUMBER	NOMENCLATURE 1234567	EFF CODE	QTY PER ASSY
09-				GW,GY ,HA HC,HG ,HH,H K,HL, HS,HT ,HV HW,J D-JG, JM-JQ ,JV,J W,JY KA,KD ,KE, KG,KJ	

78-31-14

ILLUSTRATED PARTS LIST
 01.1 Page 1054E
 Jul 01/04

FIG. & ITEM	PART NO.	AIRLINE PART NUMBER	NOMENCLATURE	EFF CODE	QTY PER ASSY
09-32	BACB30NN4K3		1234567 ...BOLT	E,G, L-P, S-U,A A,AE, AG,AJ AL,AN ,AQ,A S,AU, AW,AY ,BA BC,B E-BG, BL-BN ,BT,B V-CB CP,C R-CX, DJ,DL ,DN,D Q,DS DU,DW ,DY, EA,EC ,EN,E Q FA-FC ,FE,F J,FL, FN,FQ ,FS FU,FW ,FY, GA,GC ,GE,G G,GJ FL,GN ,GQ,G S,GT,	6

78-31-14

ILLUSTRATED PARTS LIST
 01.1 Page 1054F
 Jul 01/04

015T0438
 315T3001
 315T4726
 315T3055

 **BOEING**
 COMPONENT
 MAINTENANCE MANUAL

FIG. & ITEM	PART NO.	AIRLINE PART NUMBER	NOMENCLATURE 1234567	EFF CODE	QTY PER ASSY
09-			-----*	GW,GY ,HA HC,HG ,HH,H K,HL, HS,HT ,HV HW,J D-JG, JM-JQ ,JV,J W,JY KA,KD ,KE, KG,KJ	

78-31-14

ILLUSTRATED PARTS LIST
 01.1 Page 1054G
 Jul 01/04

FIG. & ITEM	PART NO.	AIRLINE PART NUMBER	NOMENCLATURE	EFF CODE	QTY PER ASSY
09-35	BACR15BA5AD		1234567 RIVET- (SIZE DETERMINE ON INST)	E,G, L-P, S-U,A A,AE, AG,AJ AL,AN ,AQ,A S,AU, AW,AY ,BA BC,B E-BG, BL-BN ,BT,B V-CB CP,C R-CX, DJ,DL ,DN,D Q,DS DU,DW ,DY, EA,EC ,EN,E Q FA-FC ,FE,F J,FL, FN,FQ ,FS FU,FW ,FY, GA,GC ,GE,G G,GJ GL,GN ,GQ,G S,GT,	2

78-31-14

015T0438
 315T3001
 315T4726
 315T3055

 **BOEING**
 COMPONENT
 MAINTENANCE MANUAL

FIG. & ITEM	PART NO.	AIRLINE PART NUMBER	NOMENCLATURE 1234567	EFF CODE	QTY PER ASSY
09-				GW,GY ,HA HC,HG ,HH,H K,HL, HS,HT ,HV HW,J D-JG, JM-JQ ,JV,J W,JY KA,KD ,KE, KG,KJ	

78-31-14

ILLUSTRATED PARTS LIST
 01.1 Page 1054I
 Jul 01/04

FIG. & ITEM	PART NO.	AIRLINE PART NUMBER	NOMENCLATURE	EFF CODE	QTY PER ASSY
09-38	BACR15BB5AD		1234567 RIVET- (SIZE DETERMINE ON INST)	E,G, L-P, S-U,A A,AE, AG,AJ AL,AN ,AQ,A S,AU, AW,AY ,BA BC,B E-BG, BL-BN ,BT,B V-CB CP,C R-CX, DJ,DL ,DN,D Q,DS DU,DW ,DY, EA,EC ,EN,E Q FA-FC ,FE,F J,FL, FN,FQ ,FS FU,FW ,FY, GA,GC ,GE,G G,GJ GL,GN ,GQ,G S,GT,	4

78-31-14

ILLUSTRATED PARTS LIST
 01.1 Page 1054J
 Jul 01/04

015T0438
 315T3001
 315T4726
 315T3055

 **BOEING**
 COMPONENT
 MAINTENANCE MANUAL

FIG. & ITEM	PART NO.	AIRLINE PART NUMBER	NOMENCLATURE 1234567	EFF CODE	QTY PER ASSY
09-				GW,GY ,HA HC,HG ,HH,H K,HL, HS,HT ,HV HW,J D-JG, JM-JQ ,JV,J W,JY KA,KD ,KE, KG,KJ	

78-31-14

ILLUSTRATED PARTS LIST
 01.1 Page 1054K
 Jul 01/04

FIG. & ITEM	PART NO.	AIRLINE PART NUMBER	NOMENCLATURE	EFF CODE	QTY PER ASSY
09-41	315T3705-61		1234567BRACKET	E,G, L-P, S-U,A A,AE, AG,AJ AL,AN ,AQ,A S,AU, AW,AY ,BA BC,B E-BG, BL-BN ,BT,B V-CB CP,C R-CX, DJ,DL ,DN,D Q,DS DU,DW ,DY, EA,EC ,EN,E Q FA-FC ,FE,F J,FL, FN,FQ ,FS FU,FW ,FY, GA,GC ,GE,G G,GJ GL,GN ,GQ,G S,GT,	1

78-31-14

015T0438
 315T3001
 315T4726
 315T3055

 **BOEING**
 COMPONENT
 MAINTENANCE MANUAL

FIG. & ITEM	PART NO.	AIRLINE PART NUMBER	NOMENCLATURE 1234567	EFF CODE	QTY PER ASSY
09-				GW,GY ,HA HC,HG ,HH,H K,HL, HS,HT ,HV HW,J D-JG, JM-JQ ,JV,J W,JY KA,KD ,KE, KG,KJ	

78-31-14

ILLUSTRATED PARTS LIST
 01.1 Page 1054M
 Jul 01/04

FIG. & ITEM	PART NO.	AIRLINE PART NUMBER	NOMENCLATURE	EFF CODE	QTY PER ASSY
09-44	315T3705-63		1234567 ANGLE	E,G, L-P, S-U,A A,AE, AG,AJ AL,AN ,AQ,A S,AU, AW,AY ,BA BC,B E-BG, BL-BN ,BT,B V-CB CP,C R-CX, DJ,DL ,DN,D Q,DS DU,DW ,DY, EA,EC ,EN,E Q FA-FC ,FE,F J,FL, FN,FQ ,FS FU,FW ,FY, GA,GC ,GE,G G,GJ GL,GN ,GQ,G S,GT,	1

78-31-14

 ILLUSTRATED PARTS LIST
 01.1 Page 1054N
 Jul 01/04

015T0438
 315T3001
 315T4726
 315T3055

 **BOEING**
 COMPONENT
 MAINTENANCE MANUAL

FIG. & ITEM	PART NO.	AIRLINE PART NUMBER	NOMENCLATURE 1234567	EFF CODE	QTY PER ASSY
09-				GW,GY ,HA HC,HG ,HH,H K,HL, HS,HT ,HV HW,J D-JG, JM-JQ ,JV,J W,JY KA,KD ,KE, KG,KJ	

78-31-14

ILLUSTRATED PARTS LIST
 01.1 Page 10540
 Jul 01/04

FIG. & ITEM	PART NO.	AIRLINE PART NUMBER	NOMENCLATURE	EFF CODE	QTY PER ASSY
09-47	BACB30NN4K2		1234567 ...BOLT	E,G, L-P, S-U,A A,AE, AG,AJ AL,AN ,AQ,A S,AU, AW,AY ,BA BC,B E-BG, BL-BN ,BT,B V-CB CP,C R-CX, DJ,DL ,DN,D Q,DS DU,DW ,DY, EA,EC ,EN,E Q FA-FC ,FE,F J,FL, FN,FQ ,FS FU,FW ,FY, GA,GC ,GE,G G,GJ GL,GN ,GQ,G S,GT,	2

78-31-14

ILLUSTRATED PARTS LIST
 01.1 Page 1054P
 Jul 01/04

015T0438
 315T3001
 315T4726
 315T3055

 **BOEING**
 COMPONENT
 MAINTENANCE MANUAL

FIG. & ITEM	PART NO.	AIRLINE PART NUMBER	NOMENCLATURE 1234567	EFF CODE	QTY PER ASSY
09-				GW,GY ,HA HC,HG ,HH,H K,HL, HS,HT ,HV HW,J D-JG, JM-JQ ,JV,J W,JY KA,KD ,KE, KG,KJ	

78-31-14

ILLUSTRATED PARTS LIST
 01.1 Page 1054Q
 Jul 01/04

FIG. & ITEM	PART NO.	AIRLINE PART NUMBER	NOMENCLATURE	EFF CODE	QTY PER ASSY
09-50	BACB30NN4K3		1234567 ...BOLT	E,G, L-P, S-U,A A,AE, AG,AJ AL,AN ,AQ,A S,AU, AW,AY ,BA BC,B E-BG, BL-BN ,BT,B V-CB CP,C R-CX, DJ,DL ,DN,D Q,DS DU,DW ,DY, EA,EC ,EN,E Q FA-FC ,FE,F J,FL, FN,FQ ,FS FU,FW ,FY, GA,GC ,GE,G G,GJ GL,GN ,GQ,G S,GT,	7

78-31-14

 ILLUSTRATED PARTS LIST
 01.1 Page 1054R
 Jul 01/04

015T0438
 315T3001
 315T4726
 315T3055

 **BOEING**
 COMPONENT
 MAINTENANCE MANUAL

FIG. & ITEM	PART NO.	AIRLINE PART NUMBER	NOMENCLATURE 1234567	EFF CODE	QTY PER ASSY
09-				GW,GY ,HA HC,HG ,HH,H K,HL, HS,HT ,HV HW,J D-JG, JM-JQ ,JV,J W,JY KA,KD ,KE, KG,KJ	

78-31-14

ILLUSTRATED PARTS LIST

01.1 Page 1054S

Jul 01/04

FIG. & ITEM	PART NO.	AIRLINE PART NUMBER	NOMENCLATURE	EFF CODE	QTY PER ASSY
09-53	BACR15BA3AD		1234567 ...RIVET- (SIZE DETERMINE ON INST)	E,G, L-P, S-U,A A,AE, AG,AJ AL,AN ,AQ,A S,AU, AW,AY ,BA BC,B E-BG, BL-BN ,BT,B V-CB CP,C R-CX, DJ,DL ,DN,D Q,DS DU,DW ,DY, EA,EC ,EN,E Q FA-FC ,FE,F J,FL, FN,FQ ,FS FU,FW ,FY, GA,GC ,GE,G G,GJ GL,GN ,GQ,G S,GT,	22

78-31-14

ILLUSTRATED PARTS LIST
 01.1 Page 1054T
 Jul 01/04

015T0438
 315T3001
 315T4726
 315T3055

 **BOEING**
 COMPONENT
 MAINTENANCE MANUAL

FIG. & ITEM	PART NO.	AIRLINE PART NUMBER	NOMENCLATURE 1234567	EFF CODE	QTY PER ASSY
09-				GW,GY ,HA HC,HG ,HH,H K,HL, HS,HT ,HV HW,J D-JG, JM-JQ ,JV,J W,JY KA,KD ,KE, KG,KJ	

78-31-14

ILLUSTRATED PARTS LIST
 01.1 Page 1054U
 Jul 01/04

FIG. & ITEM	PART NO.	AIRLINE PART NUMBER	NOMENCLATURE 1234567	EFF CODE	QTY PER ASSY
09-56	BRF200C3M		...NUTPLATE- (V52828) (SPEC BACN10JR3CFM) (OPT F5001-3BAC (V15653)) (OPT NS103203SE02 (V80539)) (OPT T8092C1032 (V11815)) (OPT VN152D1-02 (V92215)) (OPT 109F9201-3 (V72962))	E,G, L-P, S-U,A A,AE, AG,AJ AL,AN ,AQ,A S,AU, AW,AY ,BA BC,B E-BG, BL-BN ,BT,B V-CB CP,C R-CX, DJ,DL ,DN,D Q,DS DU,DW ,DY, EA,EC ,EN,E Q FA-FC ,FE,F J,FL, FN,FQ ,FS FU,FW ,FY, GA,GC ,GE,G G,GJ GL,GN ,GQ,G S,GT,	4

78-31-14

 ILLUSTRATED PARTS LIST
 01.1 Page 1054V
 Jul 01/04

015T0438
 315T3001
 315T4726
 315T3055

 **BOEING**
 COMPONENT
 MAINTENANCE MANUAL

FIG. & ITEM	PART NO.	AIRLINE PART NUMBER	NOMENCLATURE 1234567	EFF CODE	QTY PER ASSY
09-				GW,GY ,HA HC,HG ,HH,H K,HL, HS,HT ,HV HW,J D-JG, JM-JQ ,JV,J W,JY KA,KD ,KE, KG,KJ	

78-31-14

ILLUSTRATED PARTS LIST
 01.1 Page 1054W
 Jul 01/04

FIG. & ITEM	PART NO.	AIRLINE PART NUMBER	NOMENCLATURE 1234567	EFF CODE	QTY PER ASSY
09-59	BRF200C4M		...NUTPLATE- (V52828) (SPEC BACN10JR4CFM) (OPT F5001-4BAC (V15653)) (OPT NS103203SE048 (V80539)) (OPT T8092C428 (V11815)) (OPT VN152D1-048 (V92215)) (OPT 109F9201-4 (V72962))	E,G, L-P, S-U,A A,AE, AG,AJ AL,AN ,AQ,A S,AU, AW,AY ,BA BC,B E-BG, BL-BN ,BT,B V-CB CP,C R-CX, DJ,DL ,DN,D Q,DS DU,DW ,DY, EA,EC ,EN,E Q FA-FC ,FE,F J,FL, FN,FQ ,FS FU,FW ,FY, GA,GC ,GE,G G,GJ GL,GN ,GQ,G S,GT,	7

78-31-14

 ILLUSTRATED PARTS LIST
 01.1 Page 1054X
 Jul 01/04

015T0438
 315T3001
 315T4726
 315T3055

 **BOEING**
 COMPONENT
 MAINTENANCE MANUAL

FIG. & ITEM	PART NO.	AIRLINE PART NUMBER	NOMENCLATURE 1234567	EFF CODE	QTY PER ASSY
09-				GW,GY ,HA HC,HG ,HH,H K,HL, HS,HT ,HV HW,J D-JG, JM-JQ ,JV,J W,JY KA,KD ,KE, KG,KJ	

78-31-14

ILLUSTRATED PARTS LIST
 01.1 Page 1054Y
 Jul 01/04

FIG. & ITEM	PART NO.	AIRLINE PART NUMBER	NOMENCLATURE	EFF CODE	QTY PER ASSY
09-62	315T3529-21		1234567 ...FAIRING ASSY- (315T3529-21 TOGETHER WITH 315T3529-15 AND 315T3705-65 WHICH COMPRISE SPARES ASSY 315T3579-9 I/W 315T3529-11 TOGETHER WITH 315T3529-5 AND 315T3705-47)	E,G, L-P, S-U,A A,AE, AG,AJ AL,AN ,AQ,A S,AU, AW,AY ,BA BC,B E-BG, BL-BN ,BT,B V-CB CP,C R-CX, DJ,DL ,DN,D Q,DS DU,DW ,DY, EA,EC ,EN,E Q FA-FC ,FE,F J,FL, FN,FQ ,FS FU,FW ,FY, GA,GC ,GE,G G,GJ GL,GN ,GQ,G S,GT,	1

78-31-14

ILLUSTRATED PARTS LIST
 01.1 Page 1054Z
 Jul 01/04

015T0438
 315T3001
 315T4726
 315T3055

 **BOEING**
 COMPONENT
 MAINTENANCE MANUAL

FIG. & ITEM	PART NO.	AIRLINE PART NUMBER	NOMENCLATURE 1234567	EFF CODE	QTY PER ASSY
09-				GW,GY ,HA HC,HG ,HH,H K,HL, HS,HT ,HV HW,J D-JG, JM-JQ ,JV,J W,JY KA,KD ,KE, KG,KJ	

78-31-14

ILLUSTRATED PARTS LIST
 01.1 Page 1055
 Jul 01/04

FIG. & ITEM	PART NO.	AIRLINE PART NUMBER	NOMENCLATURE	EFF CODE	QTY PER ASSY
09-65	BACB30LL3-3		1234567 BOLT	E,G, L-P, S-U,A A,AE, AG,AJ AL,AN ,AQ,A S,AU, AW,AY ,BA BC,B E-BG, BL-BN ,BT,B V-CB CP,C R-CX, DJ,DL ,DN,D Q,DS DU,DW ,DY, EA,EC ,EN,E Q FA-FC ,FE,F J,FL, FN,FQ ,FS FU,FW ,FY, GA,GC ,GE,G G,GJ GL,GN ,GQ,G S,GT,	4

78-31-14

ILLUSTRATED PARTS LIST
 01.1 Page 1056
 Jul 01/04

015T0438
 315T3001
 315T4726
 315T3055

 **BOEING**
 COMPONENT
 MAINTENANCE MANUAL

FIG. & ITEM	PART NO.	AIRLINE PART NUMBER	NOMENCLATURE 1234567	EFF CODE	QTY PER ASSY
09-				GW,GY ,HA HC,HG ,HH,H K,HL, HS,HT ,HV HW,J D-JG, JM-JQ ,JV,J W,JY KA,KD ,KE, KG,KJ	

78-31-14

ILLUSTRATED PARTS LIST
 01.1 Page 1056A
 Jul 01/04

FIG. & ITEM	PART NO.	AIRLINE PART NUMBER	NOMENCLATURE	EFF CODE	QTY PER ASSY
09-68	315T3705-59		1234567 CLIP	E,G, L-P, S-U,A A,AE, AG,AJ AL,AN ,AQ,A S,AU, AW,AY ,BA BC,B E-BG, BL-BN ,BT,B V-CB CP,C R-CX, DJ,DL ,DN,D Q,DS DU,DW ,DY, EA,EC ,EN,E Q FA-FC ,FE,F J,FL, FN,FQ ,FS FU,FW ,FY, GA,GC ,GE,G G,GJ GL,GN ,GQ,G S,GT,	1

78-31-14

 ILLUSTRATED PARTS LIST
 01.1 Page 1056B
 Jul 01/04

015T0438
 315T3001
 315T4726
 315T3055

 **BOEING**
 COMPONENT
 MAINTENANCE MANUAL

FIG. & ITEM	PART NO.	AIRLINE PART NUMBER	NOMENCLATURE 1234567	EFF CODE	QTY PER ASSY
09-				GW,GY ,HA HC,HG ,HH,H K,HL, HS,HT ,HV HW,J D-JG, JM-JQ ,JV,J W,JY KA,KD ,KE, KG,KJ	

78-31-14

ILLUSTRATED PARTS LIST
 01.1 Page 1056C
 Jul 01/04

FIG. & ITEM	PART NO.	AIRLINE PART NUMBER	NOMENCLATURE	EFF CODE	QTY PER ASSY
09-71	315T3529-13		1234567 BOND ASSY	E,G, L-P, S-U,A A,AE, AG,AJ AL,AN ,AQ,A S,AU, AW,AY ,BA BC,B E-BG, BL-BN ,BT,B V-CB CP,C R-CX, DJ,DL ,DN,D Q,DS DU,DW ,DY, EA,EC ,EN,E Q FA-FC ,FE,F J,FL, FN,FQ ,FS FU,FW ,FY, GA,GC ,GE,G G,GJ GL,GN ,GQ,G S,GT,	1

78-31-14

 ILLUSTRATED PARTS LIST
 01.1 Page 1056D
 Jul 01/04

015T0438
 315T3001
 315T4726
 315T3055

 **BOEING**
 COMPONENT
 MAINTENANCE MANUAL

FIG. & ITEM	PART NO.	AIRLINE PART NUMBER	NOMENCLATURE 1234567	EFF CODE	QTY PER ASSY
09-				GW,GY ,HA HC,HG ,HH,H K,HL, HS,HT ,HV HW,J D-JG, JM-JQ ,JV,J W,JY KA,KD ,KE, KG,KJ	

78-31-14

ILLUSTRATED PARTS LIST
 01.1 Page 1056E
 Jul 01/04

FIG. & ITEM	PART NO.	AIRLINE PART NUMBER	NOMENCLATURE	EFF CODE	QTY PER ASSY
09-72	BACR15BA5B		1234567 ...RIVET- (LIMITED) (SIZE DETERMINE ON INST)	E,G, L-P, S-U,A A,AE, AG,AJ AL,AN ,AQ,A S,AU, AW,AY ,BA BC,B E-BG, BL-BN ,BT,B V-CB CP,C R-CX, DJ,DL ,DN,D Q,DS DU,DW ,DY, EA,EC ,EN,E Q FA-FC ,FE,F J,FL, FN,FQ ,FS FU,FW ,FY, GA,GC ,GE,G G,GJ GL,GN ,GQ,G S,GT,	11

78-31-14

015T0438
 315T3001
 315T4726
 315T3055

 **BOEING**
 COMPONENT
 MAINTENANCE MANUAL

FIG. & ITEM	PART NO.	AIRLINE PART NUMBER	NOMENCLATURE 1234567	EFF CODE	QTY PER ASSY
09-				GW,GY ,HA HC,HG ,HH,H K,HL, HS,HT ,HV HW,J D-JG, JM-JQ ,JV,J W,JY KA,KD ,KE, KG,KJ	

78-31-14

ILLUSTRATED PARTS LIST
 01.1 Page 1056G
 Jul 01/04

FIG. & ITEM	PART NO.	AIRLINE PART NUMBER	NOMENCLATURE	EFF CODE	QTY PER ASSY
09-73	315T3529-19		1234567 ...STRIP-RUB (LIMITED)	E,G, L-P, S-U,A A,AE, AG,AJ AL,AN ,AQ,A S,AU, AW,AY ,BA BC,B E-BG, BL-BN ,BT,B V-CB CP,C R-CX, DJ,DL ,DN,D Q,DS DU,DW ,DY, EA,EC ,EN,E Q FA-FC ,FE,F J,FL, FN,FQ ,FS FU,FW ,FY, GA,GC ,GE,G G,GJ GL,GN ,GQ,G S,GT,	1

78-31-14

 ILLUSTRATED PARTS LIST
 01.1 Page 1056H
 Jul 01/04

015T0438
 315T3001
 315T4726
 315T3055

 **BOEING**
 COMPONENT
 MAINTENANCE MANUAL

FIG. & ITEM	PART NO.	AIRLINE PART NUMBER	NOMENCLATURE 1234567	EFF CODE	QTY PER ASSY
09-				GW,GY ,HA HC,HG ,HH,H K,HL, HS,HT ,HV HW,J D-JG, JM-JQ ,JV,J W,JY KA,KD ,KE, KG,KJ	

78-31-14

ILLUSTRATED PARTS LIST
 01.1 Page 1056I
 Jul 01/04

FIG. & ITEM	PART NO.	AIRLINE PART NUMBER	NOMENCLATURE	EFF CODE	QTY PER ASSY
09-74	315T3529-15		1234567 ...FAIRING ASSY- (LIMITED) (315T3529-21 TOGETHER WITH 315T3529-15 AND 315T3705-65 WHICH COMPRISE SPARES ASSY 315T3579-9 I/W 315T3529-11 TOGETHER WITH 315T3529-5 AND 315T3705-47) (315T4531-1 TOGETHER WITH 315T3529-19 RUB STRIP I/W 315T3529-15)	E,G, L-P, S-U,A A,AE, AG,AJ AL,AN ,AQ,A S,AU, AW,AY ,BA BC,B E-BG, BL-BN ,BT,B V-CB CP,C R-CX, DJ,DL ,DN,D Q,DS DU,DW ,DY, EA,EC ,EN,E Q FA-FC ,FE,F J,FL, FN,FQ ,FS FU,FW ,FY, GA,GC ,GE,G G,GJ GL,GN ,GQ,G S,GT,	1

78-31-14

ILLUSTRATED PARTS LIST
01.1 Page 1056J
Jul 01/04

015T0438
 315T3001
 315T4726
 315T3055

 **BOEING**
 COMPONENT
 MAINTENANCE MANUAL

FIG. & ITEM	PART NO.	AIRLINE PART NUMBER	NOMENCLATURE 1234567	EFF CODE	QTY PER ASSY
09-				GW,GY ,HA HC,HG ,HH,H K,HL, HS,HT ,HV HW,J D-JG, JM-JQ ,JV,J W,JY KA,KD ,KE, KG,KJ	

78-31-14

ILLUSTRATED PARTS LIST
 01.1 Page 1056K
 Jul 01/04

FIG. & ITEM	PART NO.	AIRLINE PART NUMBER	NOMENCLATURE	EFF CODE	QTY PER ASSY
09-77	BACR15BA5B		1234567 RIVET- (SIZE DETERMINE ON INST)	E,G, L-P, S-U,A A,AE, AG,AJ AL,AN ,AQ,A S,AU, AW,AY ,BA BC,B E-BG, BL-BN ,BT,B V-CB CP,C R-CX, DJ,DL ,DN,D Q,DS DU,DW ,DY, EA,EC ,EN,E Q FA-FC ,FE,F J,FL, FN,FQ ,FS FU,FW ,FY, GA,GC ,GE,G G,GJ GL,GN ,GQ,G S,GT,	11

78-31-14

 ILLUSTRATED PARTS LIST
 01.1 Page 1056L
 Jul 01/04

015T0438
 315T3001
 315T4726
 315T3055

 **BOEING**
 COMPONENT
 MAINTENANCE MANUAL

FIG. & ITEM	PART NO.	AIRLINE PART NUMBER	NOMENCLATURE 1234567	EFF CODE	QTY PER ASSY
09-				GW,GY ,HA HC,HG ,HH,H K,HL, HS,HT ,HV HW,J D-JG, JM-JQ ,JV,J W,JY KA,KD ,KE, KG,KJ	

78-31-14

ILLUSTRATED PARTS LIST
 01.1 Page 1056M
 Jul 01/04

FIG. & ITEM	PART NO.	AIRLINE PART NUMBER	NOMENCLATURE	EFF CODE	QTY PER ASSY
09-80	315T3529-19		1234567 STRIP-RUB	E,G, L-P, S-U,A A,AE, AG,AJ AL,AN ,AQ,A S,AU, AW,AY ,BA BC,B E-BG, BL-BN ,BT,B V-CB CP,C R-CX, DJ,DL ,DN,D Q,DS DU,DW ,DY, EA,EC ,EN,E Q FA-FC ,FE,F J,FL, FN,FQ ,FS FU,FW ,FY, GA,GC ,GE,G G,GJ GL,GN ,GQ,G S,GT,	1

78-31-14

 ILLUSTRATED PARTS LIST
 01.1 Page 1056N
 Jul 01/04

015T0438
 315T3001
 315T4726
 315T3055

 **BOEING**
 COMPONENT
 MAINTENANCE MANUAL

FIG. & ITEM	PART NO.	AIRLINE PART NUMBER	NOMENCLATURE 1234567	EFF CODE	QTY PER ASSY
09-				GW,GY ,HA HC,HG ,HH,H K,HL, HS,HT ,HV HW,J D-JG, JM-JQ ,JV,J W,JY KA,KD ,KE, KG,KJ	

78-31-14

ILLUSTRATED PARTS LIST
 01.1 Page 10560
 Jul 01/04

FIG. & ITEM	PART NO.	AIRLINE PART NUMBER	NOMENCLATURE	EFF CODE	QTY PER ASSY
09-83	315T3529-17		1234567 BOND ASSY	E,G, L-P, S-U,A A,AE, AG,AJ AL,AN ,AQ,A S,AU, AW,AY ,BA BC,B E-BG, BL-BN ,BT,B V-CB CP,C R-CX, DJ,DL ,DN,D Q,DS DU,DW ,DY, EA,EC ,EN,E Q FA-FC ,FE,F J,FL, FN,FQ ,FS FU,FW ,FY, GA,GC ,GE,G G,GJ GL,GN ,GQ,G S,GT,	1

78-31-14

ILLUSTRATED PARTS LIST
 01.1 Page 1056P
 Jul 01/04

015T0438
 315T3001
 315T4726
 315T3055

 **BOEING**
 COMPONENT
 MAINTENANCE MANUAL

FIG. & ITEM	PART NO.	AIRLINE PART NUMBER	NOMENCLATURE 1234567	EFF CODE	QTY PER ASSY
09-				GW,GY ,HA HC,HG ,HH,H K,HL, HS,HT ,HV HW,J D-JG, JM-JQ ,JV,J W,JY KA,KD ,KE, KG,KJ	

78-31-14

ILLUSTRATED PARTS LIST
 01.1 Page 1056Q
 Jul 01/04

FIG. & ITEM	PART NO.	AIRLINE PART NUMBER	NOMENCLATURE	EFF CODE	QTY PER ASSY
09-84	315T4531-1		1234567 ...FAIRING- (LIMITED) (315T4531-1 TOGETHER WITH 315T3529-19 RUB STRIP I/W 315T3529-15)	E,G, L-P, S-U,A A,AE, AG,AJ AL,AN ,AQ,A S,AU, AW,AY ,BA BC,B E-BG, BL-BN ,BT,B V-CB CP,C R-CX, DJ,DL ,DN,D Q,DS DU,DW ,DY, EA,EC ,EN,E Q FA-FC ,FE,F J,FL, FN,FQ ,FS FU,FW ,FY, GA,GC ,GE,G G,GJ GL,GN ,GQ,G S,GT,	1

78-31-14

015T0438
 315T3001
 315T4726
 315T3055

 **BOEING**
 COMPONENT
 MAINTENANCE MANUAL

FIG. & ITEM	PART NO.	AIRLINE PART NUMBER	NOMENCLATURE 1234567	EFF CODE	QTY PER ASSY
09-				GW,GY ,HA HC,HG ,HH,H K,HL, HS,HT ,HV HW,J D-JG, JM-JQ ,JV,J W,JY KA,KD ,KE, KG,KJ	

78-31-14

ILLUSTRATED PARTS LIST
 01.1 Page 1056S
 Jul 01/04

FIG. & ITEM	PART NO.	AIRLINE PART NUMBER	NOMENCLATURE	EFF CODE	QTY PER ASSY
09-86	315T3579-8SP		1234567 ..FAIRING INSTL-LWR TRACK	F,H,Q ,R, V-Z,A B-AD, AF,AH AK,AM ,AP,A R,AT, AV,AX ,AZ BB,BD ,BH-B K,B P-BR, CD-CM CZ-DH ,DK,D M,DP, DR,DT ,DV DX,DZ ,EB, ED,EK ,EM,E P,ER EX,EZ ,FD,F F,FG, FH,FK ,FM FP,FR ,FT,F V,FX, FZ,GB ,GD GF,GH ,GK,G M,GP,	1

78-31-14

015T0438
 315T3001
 315T4726
 315T3055

 **BOEING**
 COMPONENT
 MAINTENANCE MANUAL

FIG. & ITEM	PART NO.	AIRLINE PART NUMBER	NOMENCLATURE 1234567	EFF CODE	QTY PER ASSY
09-				GR,GU ,GV GX,GZ ,HB, HD,H M-HQ, HX-JC JH-JL ,JR-J U,KB, KC,K K-KM ,GK,G M,GP, GR,GU	

78-31-14

ILLUSTRATED PARTS LIST
 01.1 Page 1056U
 Jul 01/04

FIG. & ITEM	PART NO.	AIRLINE PART NUMBER	NOMENCLATURE	EFF CODE	QTY PER ASSY
09-89	315T3579-5001		1234567 ...FAIRING INSTL- (LIMITED)	F,H,Q ,R, V-Z,A B-AD, AF,AH AK,AM ,AP,A R,AT, AV,AX ,AZ BB,BD ,BH-B K,B P-BR, CD-CM CZ-DH ,DK,D M,DP, DR,DT ,DV DX,DZ ,EB, ED,EK ,EM,E P,ER EX,EZ ,FD,F F,FG, FH,FK ,FM FP,FR ,FT,F V,FX, FZ,GB ,GD GF,GH ,GK,G M,GP,	1

78-31-14

 ILLUSTRATED PARTS LIST
 01.1 Page 1056V
 Jul 01/04

015T0438
 315T3001
 315T4726
 315T3055

 **BOEING**
 COMPONENT
 MAINTENANCE MANUAL

FIG. & ITEM	PART NO.	AIRLINE PART NUMBER	NOMENCLATURE	EFF CODE	QTY PER ASSY
09-			1234567		
-89A	315T3579-5002		...FAIRING INSTL- (LIMITED)	GR, GU ,GV GX, GZ ,HB, HD, H M-HQ, HX-JC JH-JL ,JR-J U, KB, KC, K K-KM F, H, Q ,R, V-Z, A B-AD, AF, AH AK, AM ,AP, A R, AT, AV, AX ,AZ BB, BD ,BH-B K, B P-BR, CD-CM CZ-DH ,DK, D M, DP, DR, DT ,DV DX, DZ ,EB, ED, EK ,EM, E P, ER EX, EZ ,FD, F F, FG, FH, FK ,FM FP, FR ,FT, F V, FX,	1

78-31-14

ILLUSTRATED PARTS LIST
 01.1 Page 1056W
 Jul 01/04

FIG. & ITEM	PART NO.	AIRLINE PART NUMBER	NOMENCLATURE	EFF CODE	QTY PER ASSY
09-			1234567		
				FZ,GB ,GD GF,GH ,GV GX,GZ ,HB, HD,H M-HQ, HX-JC JH-JL ,JR-J U,KB, KC,K K-KM	
-89B	315T3579-5003		DELETED		

78-31-14

ILLUSTRATED PARTS LIST
 01.1 Page 1056X
 Jul 01/04

015T0438
 315T3001
 315T4726
 315T3055

 **BOEING**
 COMPONENT
 MAINTENANCE MANUAL

FIG. & ITEM	PART NO.	AIRLINE PART NUMBER	NOMENCLATURE	EFF CODE	QTY PER ASSY
09-92	315T3705-66		1234567BRACKET ASSY-ATTACH	F,H,Q ,R, V-Z,A B-AD, AF,AH AK,AM ,AP,A R,AT, AV,AX ,AZ BB,BD ,BH-B K,B P-BR, CD-CM CZ-DH ,DK,D M,DP, DR,DT ,DV DX,DZ ,EB, ED,EK ,EM,E P,ER EX,EZ ,FD,F F,FG, FH,FK ,FM FP,FR ,FT,F V,FX, FZ,GB ,GD GF,GH ,GK,G M,GP,	1

78-31-14

ILLUSTRATED PARTS LIST
 01.1 Page 1056Y
 Jul 01/04

FIG. & ITEM	PART NO.	AIRLINE PART NUMBER	NOMENCLATURE 1234567	EFF CODE	QTY PER ASSY
09-			ATTACHING PARTS	GR, GU ,GV GX, GZ ,HB, HD, H M-HQ, HX-JC JH-JL ,JR-J U, KB, KC, K K-KM	

78-31-14

015T0438
 315T3001
 315T4726
 315T3055

 **BOEING**
 COMPONENT
 MAINTENANCE MANUAL

FIG. & ITEM	PART NO.	AIRLINE PART NUMBER	NOMENCLATURE	EFF CODE	QTY PER ASSY
09-95	BACB30LJ3-7		1234567BOLT	F,H,Q ,R, V-Z,A B-AD, AF,AH AK,AM ,AP,A R,AT, AV,AX ,AZ BB,BD ,BH-B K,B P-BR, CD-CM CZ-DH ,DK,D M,DP, DR,DT ,DV DX,DZ ,EB, ED,EK ,EM,E P,ER EX,EZ ,FD,F F,FG, FH,FK ,FM FP,FR ,FT,F V,FX, FZ,GB ,GD GF,GH ,GK,G M,GP,	2

78-31-14

ILLUSTRATED PARTS LIST
 01.1 Page 1057
 Jul 01/04

FIG. & ITEM	PART NO.	AIRLINE PART NUMBER	NOMENCLATURE 1234567	EFF CODE	QTY PER ASSY
09-				GR,GU ,GV GX,GZ ,HB, HD,H M-HQ, HX-JC JH-JL ,JR-J U,KB, KC,K K-KM	

78-31-14

ILLUSTRATED PARTS LIST
 01.1 Page 1058
 Jul 01/04

015T0438
 315T3001
 315T4726
 315T3055

 **BOEING**
 COMPONENT
 MAINTENANCE MANUAL

FIG. & ITEM	PART NO.	AIRLINE PART NUMBER	NOMENCLATURE	EFF CODE	QTY PER ASSY
09-98	BACB30LL3-3		1234567 BOLT	F,H,Q ,R, V-Z,A B-AD, AF,AH AK,AM ,AP,A R,AT, AV,AX ,AZ BB,BD ,BH-B K,B P-BR, CD-CM CZ-DH ,DK,D M,DP, DR,DT ,DV DX,DZ ,EB, ED,EK ,EM,E P,ER EX,EZ ,FD,F F,FG, FH,FK ,FM FP,FR ,FT,F V,FX, FZ,GB ,GD GF,GH ,GK,G M,GP,	4

78-31-14

ILLUSTRATED PARTS LIST
 01.1 Page 1058A
 Jul 01/04

FIG. & ITEM	PART NO.	AIRLINE PART NUMBER	NOMENCLATURE 1234567	EFF CODE	QTY PER ASSY
09-				GR, GU ,GV GX, GZ ,HB, HD, H M-HQ, HX-JC JH-JL ,JR-J U, KB, KC, K K-KM	

78-31-14

015T0438
 315T3001
 315T4726
 315T3055

 **BOEING**
 COMPONENT
 MAINTENANCE MANUAL

FIG. & ITEM	PART NO.	AIRLINE PART NUMBER	NOMENCLATURE	EFF CODE	QTY PER ASSY
09-101	BACB30NN4K3		1234567 BOLT	F,H,Q ,R, V-Z,A B-AD, AF,AH AK,AM ,AP,A R,AT, AV,AX ,AZ BB,BD ,BH-B K,B P-BR, CD-CM CZ-DH ,DK,D M,DP, DR,DT ,DV DX,DZ ,EB, ED,EK ,EM,E P,ER EX,EZ ,FD,F F,FG, FH,FK ,FM FP,FR ,FT,F V,FX, FZ,GB ,GD GF,GH ,GK,G M,GP,	4

78-31-14

ILLUSTRATED PARTS LIST
 01.1 Page 1058C
 Jul 01/04

FIG. & ITEM	PART NO.	AIRLINE PART NUMBER	NOMENCLATURE 1234567	EFF CODE	QTY PER ASSY
09-				GR,GU ,GV GX,GZ ,HB, HD,H M-HQ, HX-JC JH-JL ,JR-J U,KB, KC,K K-KM	

78-31-14

015T0438
 315T3001
 315T4726
 315T3055

 **BOEING**
 COMPONENT
 MAINTENANCE MANUAL

FIG. & ITEM	PART NO.	AIRLINE PART NUMBER	NOMENCLATURE	EFF CODE	QTY PER ASSY
09-102	BACS40R008C047F		1234567SHIM	F,H,Q ,R, V-Z,A B-AD, AF,AH AK,AM ,AP,A R,AT, AV,AX ,AZ BB,BD ,BH-B K,B P-BR, CD-CM CZ-DH ,DK,D M,DP, DR,DT ,DV DX,DZ ,EB, ED,EK ,EM,E P,ER EX,EZ ,FD,F F,FG, FH,FK ,FM FP,FR ,FT,F V,FX, FZ,GB ,GD GF,GH ,GK,G M,GP,	1

78-31-14

ILLUSTRATED PARTS LIST
 01.1 Page 1058E
 Jul 01/04

FIG. & ITEM	PART NO.	AIRLINE PART NUMBER	NOMENCLATURE 1234567	EFF CODE	QTY PER ASSY
09-			-----*	GR, GU ,GV GX, GZ ,HB, HD, H M-HQ, HX-JC JH-JL ,JR-J U, KB, KC, K K-KM	

78-31-14

015T0438
 315T3001
 315T4726
 315T3055

 **BOEING**
 COMPONENT
 MAINTENANCE MANUAL

FIG. & ITEM	PART NO.	AIRLINE PART NUMBER	NOMENCLATURE	EFF CODE	QTY PER ASSY
09-104	BACR15BA5AD		1234567RIVET- (SIZE DETERMINE ON INST)	F,H,Q ,R, V-Z,A B-AD, AF,AH AK,AM ,AP,A R,AT, AV,AX ,AZ BB,BD ,BH-B K,B P-BR, CD-CM CZ-DH ,DK,D M,DP, DR,DT ,DV DX,DZ ,EB, ED,EK ,EM,E P,ER EX,EZ ,FD,F F,FG, FH,FK ,FM FP,FR ,FT,F V,FX, FZ,GB ,GD GF,GH ,GK,G M,GP,	2

78-31-14

ILLUSTRATED PARTS LIST
 01.1 Page 1058G
 Jul 01/04

FIG. & ITEM	PART NO.	AIRLINE PART NUMBER	NOMENCLATURE 1234567	EFF CODE	QTY PER ASSY
09-				GR,GU ,GV GX,GZ ,HB, HD,H M-HQ, HX-JC JH-JL ,JR-J U,KB, KC,K K-KM	

78-31-14

015T0438
 315T3001
 315T4726
 315T3055

 **BOEING**
 COMPONENT
 MAINTENANCE MANUAL

FIG. & ITEM	PART NO.	AIRLINE PART NUMBER	NOMENCLATURE 1234567	EFF CODE	QTY PER ASSY
09-107	BACR15BB5AD	RIVET- (SIZE DETERMINE ON INST)	F,H,Q ,R, V-Z,A B-AD, AF,AH AK,AM ,AP,A R,AT, AV,AX ,AZ BB,BD ,BH-B K,B P-BR, CD-CM CZ-DH ,DK,D M,DP, DR,DT ,DV DX,DZ ,EB, ED,EK ,EM,E P,ER EX,EZ ,FD,F F,FG, FH,FK ,FM FP,FR ,FT,F V,FX, FZ,GB ,GD GF,GH ,GK,G M,GP,	4

78-31-14

ILLUSTRATED PARTS LIST
 01.1 Page 1058I
 Jul 01/04

FIG. & ITEM	PART NO.	AIRLINE PART NUMBER	NOMENCLATURE 1234567	EFF CODE	QTY PER ASSY
09-				GR,GU ,GV GX,GZ ,HB, HD,H M-HQ, HX-JC JH-JL ,JR-J U,KB, KC,K K-KM	

78-31-14

015T0438
 315T3001
 315T4726
 315T3055

 **BOEING**
 COMPONENT
 MAINTENANCE MANUAL

FIG. & ITEM	PART NO.	AIRLINE PART NUMBER	NOMENCLATURE	EFF CODE	QTY PER ASSY
09-110	315T3705-62		1234567BRACKET	F,H,Q ,R, V-Z,A B-AD, AF,AH AK,AM ,AP,A R,AT, AV,AX ,AZ BB,BD ,BH-B K,B P-BR, CD-CM CZ-DH ,DK,D M,DP, DR,DT ,DV DX,DZ ,EB, ED,EK ,EM,E P,ER EX,EZ ,FD,F F,FG, FH,FK ,FM FP,FR ,FT,F V,FX, FZ,GB ,GD GF,GH ,GK,G M,GP,	1

78-31-14

ILLUSTRATED PARTS LIST
 01.1 Page 1058K
 Jul 01/04

FIG. & ITEM	PART NO.	AIRLINE PART NUMBER	NOMENCLATURE 1234567	EFF CODE	QTY PER ASSY
09-				GR,GU ,GV GX,GZ ,HB, HD,H M-HQ, HX-JC JH-JL ,JR-J U,KB, KC,K K-KM	

78-31-14

015T0438
 315T3001
 315T4726
 315T3055

BOEING
 COMPONENT
 MAINTENANCE MANUAL

FIG. & ITEM	PART NO.	AIRLINE PART NUMBER	NOMENCLATURE	EFF CODE	QTY PER ASSY
09-113	315T3705-64		1234567ANGLE	F,H,Q ,R, V-Z,A B-AD, AF,AH AK,AM ,AP,A R,AT, AV,AX ,AZ BB,BD ,BH-B K,B P-BR, CD-CM CZ-DH ,DK,D M,DP, DR,DT ,DV DX,DZ ,EB, ED,EK ,EM,E P,ER EX,EZ ,FD,F F,FG, FH,FK ,FM FP,FR ,FT,F V,FX, FZ,GB ,GD GF,GH ,GK,G M,GP,	1

78-31-14

ILLUSTRATED PARTS LIST
 01.1 Page 1058M
 Jul 01/04

FIG. & ITEM	PART NO.	AIRLINE PART NUMBER	NOMENCLATURE 1234567	EFF CODE	QTY PER ASSY
09-				GR, GU ,GV GX, GZ ,HB, HD, H M-HQ, HX-JC JH-JL ,JR-J U, KB, KC, K K-KM	

78-31-14

015T0438
 315T3001
 315T4726
 315T3055

 **BOEING**
 COMPONENT
 MAINTENANCE MANUAL

FIG. & ITEM	PART NO.	AIRLINE PART NUMBER	NOMENCLATURE	EFF CODE	QTY PER ASSY
09-115	BACB30NN4K3		1234567 BOLT	F,H,Q ,R, V-Z,A B-AD, AF,AH AK,AM ,AP,A R,AT, AV,AX ,AZ BB,BD ,BH-B K,B P-BR, CD-CM CZ-DH ,DK,D M,DP, DR,DT ,DV DX,DZ ,EB, ED,EK ,EM,E P,ER EX,EZ ,FD,F F,FG, FH,FK ,FM FP,FR ,FT,F V,FX, FZ,GB ,GD GF,GH ,GK,G M,GP,	3

78-31-14

ILLUSTRATED PARTS LIST
 01.1 Page 10580
 Jul 01/04

FIG. & ITEM	PART NO.	AIRLINE PART NUMBER	NOMENCLATURE 1234567	EFF CODE	QTY PER ASSY
09-				GR,GU ,GV GX,GZ ,HB, HD,H M-HQ, HX-JC JH-JL ,JR-J U,KB, KC,K K-KM	

78-31-14

015T0438
 315T3001
 315T4726
 315T3055

 **BOEING**
 COMPONENT
 MAINTENANCE MANUAL

FIG. & ITEM	PART NO.	AIRLINE PART NUMBER	NOMENCLATURE 1234567	EFF CODE	QTY PER ASSY
09-116	BACR15BA3AD	RIVET- (SIZE DETERMINE ON INST)	F,H,Q ,R, V-Z,A B-AD, AF,AH AK,AM ,AP,A R,AT, AV,AX ,AZ BB,BD ,BH-B K,B P-BR, CD-CM CZ-DH ,DK,D M,DP, DR,DT ,DV DX,DZ ,EB, ED,EK ,EM,E P,ER EX,EZ ,FD,F F,FG, FH,FK ,FM FP,FR ,FT,F V,FX, FZ,GB ,GD GF,GH ,GK,G M,GP,	22

78-31-14

ILLUSTRATED PARTS LIST
 01.1 Page 1058Q
 Jul 01/04

FIG. & ITEM	PART NO.	AIRLINE PART NUMBER	NOMENCLATURE 1234567	EFF CODE	QTY PER ASSY
09-				GR, GU ,GV GX, GZ ,HB, HD, H M-HQ, HX-JC JH-JL ,JR-J U, KB, KC, K K-KM	

78-31-14

015T0438
 315T3001
 315T4726
 315T3055

 **BOEING**
 COMPONENT
 MAINTENANCE MANUAL

FIG. & ITEM	PART NO.	AIRLINE PART NUMBER	NOMENCLATURE 1234567	EFF CODE	QTY PER ASSY
09-119	BRF200C3M	NUTPLATE- (V52828) (SPEC BACN10JR3CFM) (OPT F5001-3BAC (V15653)) (OPT NS103203SE02 (V80539)) (OPT T8092C1032 (V11815)) (OPT VN152D1-02 (V92215)) (OPT 109F9201-3 (V72962))	F,H,Q ,R, V-Z,A B-AD, AF,AH AK,AM ,AP,A R,AT, AV,AX ,AZ BB,BD ,BH-B K,B P-BR, CD-CM CZ-DH ,DK,D M,DP, DR,DT ,DV DX,DZ ,EB, ED,EK ,EM,E P,ER EX,EZ ,FD,F F,FG, FH,FK ,FM FP,FR ,FT,F V,FX, FZ,GB ,GD GF,GH ,GK,G M,GP,	4

78-31-14

ILLUSTRATED PARTS LIST
 01.1 Page 1058S
 Jul 01/04

FIG. & ITEM	PART NO.	AIRLINE PART NUMBER	NOMENCLATURE 1234567	EFF CODE	QTY PER ASSY
09-				GR, GU ,GV GX, GZ ,HB, HD, H M-HQ, HX-JC JH-JL ,JR-J U, KB, KC, K K-KM	

78-31-14

015T0438
 315T3001
 315T4726
 315T3055

 **BOEING**
 COMPONENT
 MAINTENANCE MANUAL

FIG. & ITEM	PART NO.	AIRLINE PART NUMBER	NOMENCLATURE	EFF CODE	QTY PER ASSY
09-122	BRF200C4M		1234567NUTPLATE- (V52828) (SPEC BACN10JR4CFM) (OPT F5001-4BAC (V15653)) (OPT NS103203SE048 (V80539)) (OPT T8092C428 (V11815)) (OPT VN152D1-048 (V92215)) (OPT 109F9201-4 (V72962))	F,H,Q ,R, V-Z,A B-AD, AF,AH AK,AM ,AP,A R,AT, AV,AX ,AZ BB,BD ,BH-B K,B P-BR, CD-CM CZ-DH ,DK,D M,DP, DR,DT ,DV DX,DZ ,EB, ED,EK ,EM,E P,ER EX,EZ ,FD,F F,FG, FH,FK ,FM FP,FR ,FT,F V,FX, FZ,GB ,GD GF,GH ,GK,G M,GP,	7

78-31-14

ILLUSTRATED PARTS LIST
 01.1 Page 1058U
 Jul 01/04

FIG. & ITEM	PART NO.	AIRLINE PART NUMBER	NOMENCLATURE 1234567	EFF CODE	QTY PER ASSY
09-				GR,GU ,GV GX,GZ ,HB, HD,H M-HQ, HX-JC JH-JL ,JR-J U,KB, KC,K K-KM	

78-31-14

015T0438
 315T3001
 315T4726
 315T3055

 **BOEING**
 COMPONENT
 MAINTENANCE MANUAL

FIG. & ITEM	PART NO.	AIRLINE PART NUMBER	NOMENCLATURE	EFF CODE	QTY PER ASSY
09-125	BACB30NN4K2		1234567BOLT	F,H,Q ,R, V-Z,A B-AD, AF,AH AK,AM ,AP,A R,AT, AV,AX ,AZ BB,BD ,BH-B K,B P-BR, CD-CM CZ-DH ,DK,D M,DP, DR,DT ,DV DX,DZ ,EB, ED,EK ,EM,E P,ER EX,EZ ,FD,F F,FG, FH,FK ,FM FP,FR ,FT,F V,FX, FZ,GB ,GD GF,GH ,GK,G M,GP,	2

78-31-14

ILLUSTRATED PARTS LIST
 01.1 Page 1058W
 Jul 01/04

FIG. & ITEM	PART NO.	AIRLINE PART NUMBER	NOMENCLATURE 1234567	EFF CODE	QTY PER ASSY
09-				GR,GU ,GV GX,GZ ,HB, HD,H M-HQ, HX-JC JH-JL ,JR-J U,KB, KC,K K-KM	

78-31-14

015T0438
 315T3001
 315T4726
 315T3055

 **BOEING**
 COMPONENT
 MAINTENANCE MANUAL

FIG. & ITEM	PART NO.	AIRLINE PART NUMBER	NOMENCLATURE	EFF CODE	QTY PER ASSY
09-128	BACB30NN4K3		1234567BOLT	F,H,Q ,R, V-Z,A B-AD, AF,AH AK,AM ,AP,A R,AT, AV,AX ,AZ BB,BD ,BH-B K,B P-BR, CD-CM CZ-DH ,DK,D M,DP, DR,DT ,DV DX,DZ ,EB, ED,EK ,EM,E P,ER EX,EZ ,FD,F F,FG, FH,FK ,FM FP,FR ,FT,F V,FX, FZ,GB ,GD GF,GH ,GK,G M,GP,	6

78-31-14

ILLUSTRATED PARTS LIST
 01.1 Page 1058Y
 Jul 01/04

FIG. & ITEM	PART NO.	AIRLINE PART NUMBER	NOMENCLATURE 1234567	EFF CODE	QTY PER ASSY
09-				GR,GU ,GV GX,GZ ,HB, HD,H M-HQ, HX-JC JH-JL ,JR-J U,KB, KC,K K-KM	

78-31-14

015T0438
 315T3001
 315T4726
 315T3055

 **BOEING**
 COMPONENT
 MAINTENANCE MANUAL

FIG. & ITEM	PART NO.	AIRLINE PART NUMBER	NOMENCLATURE	EFF CODE	QTY PER ASSY
09-137	315T3529-22		1234567FAIRING ASSY- (315T3529-22 TOGETHER WITH 315T3529-16 AND 315T3705-66 WHICH COMPRISE SPARES ASSY 315T3579-10 I/W 315T3529-12 TOGETHER WITH 315T3529-6 AND 315T3705-48)	F,H,Q ,R, V-Z,A B-AD, AF,AH AK,AM ,AP,A R,AT, AV,AX ,AZ BB,BD ,BH-B K,B P-BR, CD-CM CZ-DH ,DK,D M,DP, DR,DT ,DV DX,DZ ,EB, ED,EK ,EM,E P,ER EX,EZ ,FD,F F,FG, FH,FK ,FM FP,FR ,FT,F V,FX, FZ,GB ,GD GF,GH ,GK,G M,GP,	1

78-31-14

ILLUSTRATED PARTS LIST
 01.1 Page 1059
 Jul 01/04

FIG. & ITEM	PART NO.	AIRLINE PART NUMBER	NOMENCLATURE 1234567	EFF CODE	QTY PER ASSY
09-				GR, GU ,GV GX, GZ ,HB, HD, H M-HQ, HX-JC JH-JL ,JR-J U, KB, KC, K K-KM	

78-31-14

ILLUSTRATED PARTS LIST
 01.1 Page 1060
 Jul 01/04

015T0438
 315T3001
 315T4726
 315T3055

 **BOEING**
 COMPONENT
 MAINTENANCE MANUAL

FIG. & ITEM	PART NO.	AIRLINE PART NUMBER	NOMENCLATURE 1234567	EFF CODE	QTY PER ASSY
09-140	BACB30LL3-3	BOLT	F,H,Q ,R, V-Z,A B-AD, AF,AH AK,AM ,AP,A R,AT, AV,AX ,AZ BB,BD ,BH-B K,B P-BR, CD-CM CZ-DH ,DK,D M,DP, DR,DT ,DV DX,DZ ,EB, ED,EK ,EM,E P,ER EX,EZ ,FD,F F,FG, FH,FK ,FM FP,FR ,FT,F V,FX, FZ,GB ,GD GF,GH ,GK,G M,GP,	4

78-31-14

ILLUSTRATED PARTS LIST
 01.1 Page 1060A
 Jul 01/04

FIG. & ITEM	PART NO.	AIRLINE PART NUMBER	NOMENCLATURE 1234567	EFF CODE	QTY PER ASSY
09-				GR,GU ,GV GX,GZ ,HB, HD,H M-HQ, HX-JC JH-JL ,JR-J U,KB, KC,K K-KM	

78-31-14

ILLUSTRATED PARTS LIST
 01.1 Page 1060B
 Jul 01/04

015T0438
 315T3001
 315T4726
 315T3055

 **BOEING**
 COMPONENT
 MAINTENANCE MANUAL

FIG. & ITEM	PART NO.	AIRLINE PART NUMBER	NOMENCLATURE	EFF CODE	QTY PER ASSY
09-143	315T3705-60		1234567 CLIP	F,H,Q ,R, V-Z,A B-AD, AF,AH AK,AM ,AP,A R,AT, AV,AX ,AZ BB,BD ,BH-B K,B P-BR, CD-CM CZ-DH ,DK,D M,DP, DR,DT ,DV DX,DZ ,EB, ED,EK ,EM,E P,ER EX,EZ ,FD,F F,FG, FH,FK ,FM FP,FR ,FT,F V,FX, FZ,GB ,GD GF,GH ,GK,G M,GP,	1

78-31-14

ILLUSTRATED PARTS LIST
 01.1 Page 1060C
 Jul 01/04

FIG. & ITEM	PART NO.	AIRLINE PART NUMBER	NOMENCLATURE 1234567	EFF CODE	QTY PER ASSY
09-				GR, GU ,GV GX, GZ ,HB, HD, H M-HQ, HX-JC JH-JL ,JR-J U, KB, KC, K K-KM	

78-31-14

ILLUSTRATED PARTS LIST
 01.1 Page 1060D
 Jul 01/04

015T0438
 315T3001
 315T4726
 315T3055

 **BOEING**
 COMPONENT
 MAINTENANCE MANUAL

FIG. & ITEM	PART NO.	AIRLINE PART NUMBER	NOMENCLATURE	EFF CODE	QTY PER ASSY
09-146	315T3529-14		1234567BOND ASSY	F,H,Q ,R, V-Z,A B-AD, AF,AH AK,AM ,AP,A R,AT, AV,AX ,AZ BB,BD ,BH-B K,B P-BR, CD-CM CZ-DH ,DK,D M,DP, DR,DT ,DV DX,DZ ,EB, ED,EK ,EM,E P,ER EX,EZ ,FD,F F,FG, FH,FK ,FM FP,FR ,FT,F V,FX, FZ,GB ,GD GF,GH ,GK,G M,GP,	1

78-31-14

ILLUSTRATED PARTS LIST
 01.1 Page 1060E
 Jul 01/04

FIG. & ITEM	PART NO.	AIRLINE PART NUMBER	NOMENCLATURE	EFF CODE	QTY PER ASSY
09-			1234567		
147 -148	BACR15BA5B 315T3529-19		DELETED DELETED	GR, GU ,GV GX, GZ ,HB, HD, H M-HQ, HX-JC JH-JL ,JR-J U, KB, KC, K K-KM	

78-31-14

015T0438
315T3001
315T4726
315T3055

 **BOEING**
COMPONENT
MAINTENANCE MANUAL

FIG. & ITEM	PART NO.	AIRLINE PART NUMBER	NOMENCLATURE	EFF CODE	QTY PER ASSY
09-			1234567		

78-31-14

ILLUSTRATED PARTS LIST
01.1 Page 1060G
Jul 01/04

FIG. & ITEM	PART NO.	AIRLINE PART NUMBER	NOMENCLATURE	EFF CODE	QTY PER ASSY
09-149	315T3529-16		1234567FAIRING ASSY- (315T3529-22 TOGETHER WITH 315T3529-16 AND 315T3705-66 WHICH COMPRISE SPARES ASSY 315T3579-10 I/W 315T3529-12 TOGETHER WITH 315T3529-6 AND 315T3705-48) (USED ON ITEM 89)	F,H,Q ,R, V-Z,A B-AD, AF,AH AK,AM ,AP,A R,AT, AV,AX ,AZ BB,BD ,BH-B K,B P-BR, CD-CM CZ-DH ,DK,D M,DP, DR,DT ,DV DX,DZ ,EB, ED,EK ,EM,E P,ER EX,EZ ,FD,F F,FG, FH,FK ,FM FP,FR ,FT,F V,FX, FZ,GB ,GD GF,GH ,GK,G M,GP,	1

78-31-14

ILLUSTRATED PARTS LIST
 01.1 Page 1060H
 Jul 01/04

015T0438
 315T3001
 315T4726
 315T3055

 **BOEING**
 COMPONENT
 MAINTENANCE MANUAL

FIG. & ITEM	PART NO.	AIRLINE PART NUMBER	NOMENCLATURE 1234567	EFF CODE	QTY PER ASSY
09-				GR, GU ,GV GX, GZ ,HB, HD, H M-HQ, HX-JC JH-JL ,JR-J U, KB, KC, K K-KM	

78-31-14

ILLUSTRATED PARTS LIST
 01.1 Page 1060I
 Jul 01/04

FIG. & ITEM	PART NO.	AIRLINE PART NUMBER	NOMENCLATURE	EFF CODE	QTY PER ASSY
09-149A	315T3529-24		1234567FAIRING ASSY- (315T3529-24 TOGETHER WITH 315T3529-22 AND 315T3705-66 WHICH COMPRISE SPARES ASSY 315T3579-12 MAY REPLACE 315T3529-6 TOGETHER WITH 315T3529-12 AND 315T3705-48) (USED ON ITEM 89A)	F,H,Q ,R, V-Z,A B-AD, AF,AH AK,AM ,AP,A R,AT, AV,AX ,AZ BB,BD ,BH-B K,B P-BR, CD-CM CZ-DH ,DK,D M,DP, DR,DT ,DV DX,DZ ,EB, ED,EK ,EM,E P,ER EX,EZ ,FD,F F,FG, FH,FK ,FM FP,FR ,FT,F V,FX, FZ,GB ,GD GF,GH ,GK,G M,GP,	1

78-31-14

ILLUSTRATED PARTS LIST
01.1 Page 1060J
Jul 01/04

015T0438
 315T3001
 315T4726
 315T3055

 **BOEING**
 COMPONENT
 MAINTENANCE MANUAL

FIG. & ITEM	PART NO.	AIRLINE PART NUMBER	NOMENCLATURE 1234567	EFF CODE	QTY PER ASSY
09-				GR,GU ,GV GX,GZ ,HB, HD,H M-HQ, HX-JC JH-JL ,JR-J U,KB, KC,K K-KM	

78-31-14

ILLUSTRATED PARTS LIST
 01.1 Page 1060K
 Jul 01/04

FIG. & ITEM	PART NO.	AIRLINE PART NUMBER	NOMENCLATURE	EFF CODE	QTY PER ASSY
09-152	BACR15BA5B		1234567 RIVET- (SIZE DETERMINE ON INST)	F,H,Q ,R, V-Z,A B-AD, AF,AH AK,AM ,AP,A R,AT, AV,AX ,AZ BB,BD ,BH-B K,B P-BR, CD-CM CZ-DH ,DK,D M,DP, DR,DT ,DV DX,DZ ,EB, ED,EK ,EM,E P,ER EX,EZ ,FD,F F,FG, FH,FK ,FM FP,FR ,FT,F V,FX, FZ,GB ,GD GF,GH ,GK,G M,GP,	11

78-31-14

 ILLUSTRATED PARTS LIST
 01.1 Page 1060L
 Jul 01/04

015T0438
 315T3001
 315T4726
 315T3055

 **BOEING**
 COMPONENT
 MAINTENANCE MANUAL

FIG. & ITEM	PART NO.	AIRLINE PART NUMBER	NOMENCLATURE 1234567	EFF CODE	QTY PER ASSY
09-				GR,GU ,GV GX,GZ ,HB, HD,H M-HQ, HX-JC JH-JL ,JR-J U,KB, KC,K K-KM	

78-31-14

ILLUSTRATED PARTS LIST
 01.1 Page 1060M
 Jul 01/04

FIG. & ITEM	PART NO.	AIRLINE PART NUMBER	NOMENCLATURE	EFF CODE	QTY PER ASSY
09-153	315T3529-19		1234567STRIP-RUB	F,H,Q ,R, V-Z,A B-AD, AF,AH AK,AM ,AP,A R,AT, AV,AX ,AZ BB,BD ,BH-B K,B P-BR, CD-CM CZ-DH ,DK,D M,DP, DR,DT ,DV DX,DZ ,EB, ED,EK ,EM,E P,ER EX,EZ ,FD,F F,FG, FH,FK ,FM FP,FR ,FT,F V,FX, FZ,GB ,GD GF,GH ,GK,G M,GP,	1

78-31-14

ILLUSTRATED PARTS LIST
 01.1 Page 1060N
 Jul 01/04

015T0438
 315T3001
 315T4726
 315T3055

 **BOEING**
 COMPONENT
 MAINTENANCE MANUAL

FIG. & ITEM	PART NO.	AIRLINE PART NUMBER	NOMENCLATURE 1234567	EFF CODE	QTY PER ASSY
09-				GR, GU ,GV GX, GZ ,HB, HD, H M-HQ, HX-JC JH-JL ,JR-J U, KB, KC, K K-KM	

78-31-14

ILLUSTRATED PARTS LIST
 01.1 Page 10600
 Jul 01/04

FIG. & ITEM	PART NO.	AIRLINE PART NUMBER	NOMENCLATURE	EFF CODE	QTY PER ASSY
09-155	315T3529-18		1234567 BOND ASSY- (USED ON ITEM 149)	F,H,Q ,R, V-Z,A B-AD, AF,AH AK,AM ,AP,A R,AT, AV,AX ,AZ BB,BD ,BH-B K,B P-BR, CD-CM CZ-DH ,DK,D M,DP, DR,DT ,DV DX,DZ ,EB, ED,EK ,EM,E P,ER EX,EZ ,FD,F F,FG, FH,FK ,FM FP,FR ,FT,F V,FX, FZ,GB ,GD GF,GH ,GK,G M,GP,	1

78-31-14

015T0438
 315T3001
 315T4726
 315T3055

 **BOEING**
 COMPONENT
 MAINTENANCE MANUAL

FIG. & ITEM	PART NO.	AIRLINE PART NUMBER	NOMENCLATURE 1234567	EFF CODE	QTY PER ASSY
09-				GR,GU ,GV GX,GZ ,HB, HD,H M-HQ, HX-JC JH-JL ,JR-J U,KB, KC,K K-KM	

78-31-14

ILLUSTRATED PARTS LIST
 01.1 Page 1060Q
 Jul 01/04

FIG. & ITEM	PART NO.	AIRLINE PART NUMBER	NOMENCLATURE	EFF CODE	QTY PER ASSY
09- -155A	315T3529-25		1234567 BOND ASSY- (USED ON ITEM 149A)	F,H,Q ,R, V-Z,A B-AD, AF,AH AK,AM ,AP,A R,AT, AV,AX ,AZ BB,BD ,BH-B K,B P-BR, CD-CM CZ-DH ,DK,D M,DP, DR,DT ,DV DX,DZ ,EB, ED,EK ,EM,E P,ER EX,EZ ,FD,F F,FG, FH,FK ,FM FP,FR ,FT,F V,FX, FZ,GB ,GD GF,GH ,GK,G M,GP,	1

78-31-14

ILLUSTRATED PARTS LIST
 01.1 Page 1060R
 Jul 01/04

015T0438
 315T3001
 315T4726
 315T3055

 **BOEING**
 COMPONENT
 MAINTENANCE MANUAL

FIG. & ITEM	PART NO.	AIRLINE PART NUMBER	NOMENCLATURE 1234567	EFF CODE	QTY PER ASSY
09-				GR, GU ,GV GX, GZ ,HB, HD, H M-HQ, HX-JC JH-JL ,JR-J U, KB, KC, K K-KM	

78-31-14

ILLUSTRATED PARTS LIST
 01.1 Page 1060S
 Jul 01/04

FIG. & ITEM	PART NO.	AIRLINE PART NUMBER	NOMENCLATURE	EFF CODE	QTY PER ASSY
09- -157 158	315T4531-2 315T3579-5SP		1234567 DELETED ..FAIRING INSTL-LWR TRACK (FOR DETAILS SEE FIG. 4)	E,G, L-P, S-U,A A,AE, AG,AJ AL,AN ,AQ,A S,AU, AW,AY ,BA BC,B E-BG, BL-BN ,BT,B V-CB CP,C R-CX, DJ,DL ,DN,D Q,DS DU,DW ,DY, EA,EC ,EN,E Q FA-FC ,FE,F J,FL, FN,FQ ,FS FU,FW ,FY, GA,GC ,GE,G G,GJ GL,GN ,GQ,G S,GT,	1

78-31-14

ILLUSTRATED PARTS LIST
 01.1 Page 1060T
 Jul 01/04

015T0438
 315T3001
 315T4726
 315T3055

 **BOEING**
 COMPONENT
 MAINTENANCE MANUAL

FIG. & ITEM	PART NO.	AIRLINE PART NUMBER	NOMENCLATURE 1234567	EFF CODE	QTY PER ASSY
09-				GW,GY ,HA HC,HG ,HH,H K,HL, HS,HT ,HV HW,J D-JG, JM-JQ ,JV,J W,JY KA,KD ,KE, KG,KJ	

78-31-14

ILLUSTRATED PARTS LIST
 01.1 Page 1060U
 Jul 01/04

FIG. & ITEM	PART NO.	AIRLINE PART NUMBER	NOMENCLATURE	EFF CODE	QTY PER ASSY
09-161	315T3579-6SP		1234567 ..FAIRING INSTL-LWR TRACK (FOR DETAILS SEE FIG. 4)	F,H,Q ,R, V-Z,A B-AD, AF,AH AK,AM ,AP,A R,AT, AV,AX ,AZ BB,BD ,BH-B K,B P-BR, CD-CM CZ-DH ,DK,D M,DP, DR,DT ,DV DX,DZ ,EB, ED,EK ,EM,E P,ER EX,EZ ,FD,F F,FG, FH,FK ,FM FP,FR ,FT,F V,FX, FZ,GB ,GD GF,GH ,GK,G M,GP,	1

78-31-14

ILLUSTRATED PARTS LIST
 01.1 Page 1060V
 Jul 01/04

015T0438
 315T3001
 315T4726
 315T3055

 **BOEING**
 COMPONENT
 MAINTENANCE MANUAL

FIG. & ITEM	PART NO.	AIRLINE PART NUMBER	NOMENCLATURE 1234567	EFF CODE	QTY PER ASSY
09-				GR, GU ,GV GX, GZ ,HB, HD, H M-HQ, HX-JC JH-JL ,JR-J U, KB, KC, K K-KM	

78-31-14

ILLUSTRATED PARTS LIST
 01.1 Page 1060W
 Jul 01/04

FIG. & ITEM	PART NO.	AIRLINE PART NUMBER	NOMENCLATURE	EFF CODE	QTY PER ASSY
09-173	315T3703-3		1234567 ..INDICATION INSTL-POSITION	E,G, L-P, S-U,A A,AE, AG,AJ AL,AN ,AQ,A S,AU, AW,AY ,BA BC,B E-BG, BL-BN ,BT,B V-CB CP,C R-CX, DJ,DL ,DN,D Q,DS DU,DW ,DY, EA,EC ,EN,E Q FA-FC ,FE,F J,FL, FN,FQ ,FS FU,FW ,FY, GA,GC ,GE,G G,GJ GL,GN ,GQ,G S,GT,	1

78-31-14

ILLUSTRATED PARTS LIST
 01.1 Page 1060X
 Jul 01/04

015T0438
 315T3001
 315T4726
 315T3055

 **BOEING**
 COMPONENT
 MAINTENANCE MANUAL

FIG. & ITEM	PART NO.	AIRLINE PART NUMBER	NOMENCLATURE 1234567	EFF CODE	QTY PER ASSY
09-				GW,GY ,HA HC,HG ,HH,H K,HL, HS,HT ,HV HW,J D-JG, JM-JQ ,JV,J W,JY KA,KD ,KE, KG,KJ	

78-31-14

ILLUSTRATED PARTS LIST
 01.1 Page 1060Y
 Jul 01/04

FIG. & ITEM	PART NO.	AIRLINE PART NUMBER	NOMENCLATURE	EFF CODE	QTY PER ASSY
09-176	315T3703-4		1234567 ..INDICATION INSTL-POSITION	F,H,Q ,R, V-Z,A B-AD, AF,AH AK,AM ,AP,A R,AT, AV,AX ,AZ BB,BD ,BH-B K,B P-BR, CD-CM CZ-DH ,DK,D M,DP, DR,DT ,DV DX,DZ ,EB, ED,EK ,EM,E P,ER EX,EZ ,FD,F F,FG, FH,FK ,FM FP,FR ,FT,F V,FX, FZ,GB ,GD GF,GH ,GK,G M,GP,	1

78-31-14

ILLUSTRATED PARTS LIST
 01.1 Page 1060Z
 Jul 01/04

015T0438
 315T3001
 315T4726
 315T3055

 **BOEING**
 COMPONENT
 MAINTENANCE MANUAL

FIG. & ITEM	PART NO.	AIRLINE PART NUMBER	NOMENCLATURE	EFF CODE	QTY PER ASSY
09-			1234567		
179	MS21340-05		...NUT	GR,GU ,GV GX,GZ ,HB, HD,H M-HQ, HX-JC JH-JL ,JR-J U,KB, KC,K K-KM E-H, L-BR, BT,B V-CB, CD-CM CP,CM R-CX, CZ-ED ,EK,E M-ER EX,E Z-HD, HG,HH ,HK-H Q,HS HT,H V-JW, JY,K A-KE, KG KJ-KM	2

78-31-14

ILLUSTRATED PARTS LIST
 01.1 Page 1061
 Jul 01/04

FIG. & ITEM	PART NO.	AIRLINE PART NUMBER	NOMENCLATURE	EFF CODE	QTY PER ASSY
R 09-182 182A	AN96OPD1016L NAS1149D1016J		1234567 DELETED ...WASHER	E-H, L-BR, BT,B V-CB, CD-CM CP,CM R-CX, CZ-ED ,EK,E M-ER EX,E Z-HD, HG,HH ,HK-H Q,HS HT,H V-JW, JY,K A-KE, KG KJ-KM	2

78-31-14

015T0438
 315T3001
 315T4726
 315T3055

 **BOEING**
 COMPONENT
 MAINTENANCE MANUAL

FIG. & ITEM	PART NO.	AIRLINE PART NUMBER	NOMENCLATURE	EFF CODE	QTY PER ASSY
09-185	8-348-02		1234567 ...SENSOR- (V08748) (S164, S166) (SPEC S283T006-8) (PART NUMBERS S283T006-2 /8-344-01, S283T006-3/ 8-348-01, S283T006-5/ 8-345-01, S283T006-7/ 8-344-03, S283T006-8/ 8-348-02, S283T006-10/ 8-345-02/8-345-03, S283T006-22/8-518-01 AND S283T006-28/8-716-01 ARE INTERCHANGEABLE DEPENDING ON THE APPLICATION. SEE NHA'S AND 767 PRR B12900-50, 767-SL-32-20, 767-SL-32-058A, 767-SL-32-087 AND 767-SL-32-076 FOR MORE DETAILS) (FOR SPARES PROCURE S283T006-28)	E,G, L-P, S-U,A A,AE, AG,AJ AL,AN ,AQ,A S,AU, AW,AY ,BA BC,B E-BG, BL-BN ,BT,B V-CB CP,C R-CV, DJ,DL ,DN,D Q,DS DU,DW ,DY, EA,EC ,EN,E Q FA-FC ,FE,F J,FL, FN,FQ ,FS FU,FW ,FY, GA,GC ,GE,G G,GJ GL,GN ,GQ,G S,GT,	2

78-31-14

ILLUSTRATED PARTS LIST
 01.1 Page 1062A
 Jul 01/04

FIG. & ITEM	PART NO.	AIRLINE PART NUMBER	NOMENCLATURE 1234567	EFF CODE	QTY PER ASSY
09-				GW,GY ,HA HC,HG ,HH,H K,HL, HS,HT ,HV HW,J D-JG, JM-JQ ,JV,J W,JY KA,KD ,KE, KG,KJ	

78-31-14

015T0438
 315T3001
 315T4726
 315T3055

 **BOEING**
 COMPONENT
 MAINTENANCE MANUAL

FIG. & ITEM	PART NO.	AIRLINE PART NUMBER	NOMENCLATURE	EFF CODE	QTY PER ASSY
R 09-188	8-348-02		1234567 ...SENSOR- (V08748) (S165, S167) (SPEC S283T006-8) (PART NUMBERS S283T006-2 /8-344-01, S283T006-3/ 8-348-01, S283T006-5/ 8-345-01, S283T006-7/ 8-344-03, S283T006-8/ 8-348-02, S283T006-10/ 8-345-02/8-345-03, S283T006-22/8-518-01 AND S283T006-28/8-716-01 ARE INTERCHANGEABLE DEPENDING ON THE APPLICATION. SEE NHA'S AND 767 PRR B12900-50, 767-SL-32-20, 767-SL-32-058A, 767-SL-32-087 AND 767-SL-32-076 FOR MORE DETAILS) (FOR SPARES PROCURE S283T006-28)	F,H,Q ,R, V-Z,A B-AD, AF,AH AK,AM ,AP,A R,AT, AV,AX ,AZ BB,BD ,BH-B K,B P-BR, CD-CM CZ-DH ,DK,D M,DP, DR,DT ,DV DX,DZ ,EB, ED,EK ,EM,E P,ER EX,EZ ,FD,F F,FG, FH,FK ,FM FP,FR ,FT,F V,FX, FZ,GB ,GD GF,GH ,GK,G M,GP,	2

78-31-14

ILLUSTRATED PARTS LIST
 01.1 Page 1062C
 Jul 01/04

FIG. & ITEM	PART NO.	AIRLINE PART NUMBER	NOMENCLATURE 1234567	EFF CODE	QTY PER ASSY
09-				GR, GU ,GV GX, GZ ,HB, HD, H M-HQ, HX-JC JH-JL ,JR-J U, KB, KC, K K-KM	

78-31-14

ILLUSTRATED PARTS LIST
 01.1 Page 1062D
 Jul 01/04

015T0438
 315T3001
 315T4726
 315T3055

 **BOEING**
 COMPONENT
 MAINTENANCE MANUAL

FIG. & ITEM	PART NO.	AIRLINE PART NUMBER	NOMENCLATURE	EFF CODE	QTY PER ASSY
09-191	8-344-03		1234567 ...SENSOR- (V08748) (S176) (SPEC S283T006-7) (PART NUMBERS S283T006-2 /8-344-01, S283T006-3/ 8-348-01, S283T006-5/ 8-345-01, S283T006-7/ 8-344-03, S283T006-8/ 8-348-02, S283T006-10/ 8-345-02/8-345-03, S283T006-22/8-518-01 AND S283T006-28/8-716-01 ARE INTERCHANGEABLE DEPENDING ON THE APPLICATION. SEE NHA'S AND 767 PRR B12900-50, 767-SL-32-20, 767-SL-32-058A, 767-SL-32-087 AND 767-SL-32-076 FOR MORE DETAILS) (OPT 8-344-02 (V08748)) (FOR SPARES PROCURE 8-345-03 (V08748))	E,G, L-P, S-U,A A,AE, AG,AJ AL,AN ,AQ,A S,AU, AW,AY ,BA BC,B E-BG, BL-BN ,BT,B V-CB CP,C R-CX, DJ,DL ,DN,D Q,DS DU,DW ,DY, EA,EC ,EN,E Q FA-FC ,FE,F J,FL, FN,FQ ,FS FU,FW ,FY, GA,GC ,GE,G G,GJ GL,GN ,GQ,G S,GT,	1

78-31-14

ILLUSTRATED PARTS LIST
 01.1 Page 1062E
 Jul 01/04

FIG. & ITEM	PART NO.	AIRLINE PART NUMBER	NOMENCLATURE 1234567	EFF CODE	QTY PER ASSY
09-				GW,GY ,HA HC,HG ,HH,H K,HL, HS,HT ,HV HW,J D-JG, JM-JQ ,JV,J W,JY KA,KD ,KE, KG,KJ	

78-31-14

ILLUSTRATED PARTS LIST
 01.1 Page 1062F
 Jul 01/04

015T0438
 315T3001
 315T4726
 315T3055

 **BOEING**
 COMPONENT
 MAINTENANCE MANUAL

FIG. & ITEM	PART NO.	AIRLINE PART NUMBER	NOMENCLATURE	EFF CODE	QTY PER ASSY
09-194	8-344-03		1234567 ...SENSOR- (V08748) (S177) (SPEC S283T006-7) (PART NUMBERS S283T006-2 /8-344-01, S283T006-3/ 8-348-01, S283T006-5/ 8-345-01, S283T006-7/ 8-344-03, S283T006-8/ 8-348-02, S283T006-10/ 8-345-02/8-345-03, S283T006-22/8-518-01 AND S283T006-28/8-716-01 ARE INTERCHANGEABLE DEPENDING ON THE APPLICATION. SEE NHA'S AND 767 PRR B12900-50, 767-SL-32-20, 767-SL-32-058A, 767-SL-32-087 AND 767-SL-32-076 FOR MORE DETAILS) (OPT 8-344-02 (V08748)) (FOR SPARES PROCURE 8-345-03 (V08748))	F,H,Q ,R, V-Z,A B-AD, AF,AH AK,AM ,AP,A R,AT, AV,AX ,AZ BB,BD ,BH-B K,B P-BR, CD-CM CZ-DH ,DK,D M,DP, DR,DT ,DV DX,DZ ,EB, ED,EK ,EM,E P,ER EX,EZ ,FD,F F,FG, FH,FK ,FM FP,FR ,FT,F V,FX, FZ,GB ,GD GF,GH ,GK,G M,GP,	1

78-31-14

ILLUSTRATED PARTS LIST
 01.1 Page 1062G
 Jul 01/04

FIG. & ITEM	PART NO.	AIRLINE PART NUMBER	NOMENCLATURE	EFF CODE	QTY PER ASSY
09-			1234567		
197	BACS12CK3-7		...SCREW	GR, GU ,GV GX, GZ ,HB, HD, H M-HQ, HX-JC JH-JL ,JR-J U, KB, KC, K K-KM E-H, L-BR, BT, B V-CB, CD-CM CP, CM R-CX, CZ-ED ,EK, E M-ER EX, E Z-HD, HG, HH ,HK-H Q, HS HT, H V-JW, JY, K A-KE, KG KJ-KM	2

78-31-14

ILLUSTRATED PARTS LIST
 01.1 Page 1062H
 Jul 01/04

015T0438
 315T3001
 315T4726
 315T3055

 **BOEING**
 COMPONENT
 MAINTENANCE MANUAL

FIG. & ITEM	PART NO.	AIRLINE PART NUMBER	NOMENCLATURE 1234567	EFF CODE	QTY PER ASSY
09-200	BACW10BP3DP		...WASHER	E-H, L-BR, BT,B V-CB, CD-CM CP,CM R-CX, CZ-ED ,EK,E M-ER EX,E Z-HD, HG,HH ,HK-H Q,HS HT,H V-JW, JY,K A-KE, KG KJ-KM	2
203	AN3053-4		...FERRULE	E-H, L-BR, BT,B V-CB, CD-CM CP,CM R-CX, CZ-ED ,EK,E M-ER EX,E Z-HD, HG,HH ,HK-H Q,HS HT,H V-JW, JY,K A-KE, KG KJ-KM	1

78-31-14

ILLUSTRATED PARTS LIST
 01.1 Page 1062I
 Jul 01/04

FIG. & ITEM	PART NO.	AIRLINE PART NUMBER	NOMENCLATURE 1234567	EFF CODE	QTY PER ASSY
09-206	AN3054-4		...NUT	E-H, L-BR, BT,B V-CB, CD-CM CP,CM R-CX, CZ-ED ,EK,E M-ER EX,E Z-HD, HG,HH ,HK-H Q,HS HT,H V-JW, JY,K A-KE, KG KJ-KM	1
209	AN3055-12-4		...CONNECTOR	E-H, L-BR, BT,B V-CB, CD-CM CP,CM R-CX, CZ-ED ,EK,E M-ER EX,E Z-HD, HG,HH ,HK-H Q,HS HT,H V-JW, JY,K A-KE, KG KJ-KM	1

78-31-14

 ILLUSTRATED PARTS LIST
 01.1 Page 1062J
 Jul 01/04

015T0438
 315T3001
 315T4726
 315T3055

 **BOEING**
 COMPONENT
 MAINTENANCE MANUAL

FIG. & ITEM	PART NO.	AIRLINE PART NUMBER	NOMENCLATURE	EFF CODE	QTY PER ASSY
09-212	NAS603-8P		1234567 ...SCREW	E-H, L-BR, BT,B V-CB, CD-CM CP,CM R-CX, CZ-ED ,EK,E M-ER EX,E Z-HD, HG,HH ,HK-H Q,HS HT,H V-JW, JY,K A-KE, KG KJ-KM	1
214	AN960-10L		...WASHER	E-H, L-BR, BT,B V-CB, CD-CM CP,CM R-CX, CZ-ED ,EK,E M-ER EX,E Z-HD, HG,HH ,HK-H Q,HS HT,H V-JW, JY,K A-KE, KG KJ-KM	1

78-31-14

ILLUSTRATED PARTS LIST
 01.1 Page 1062K
 Jul 01/04

FIG. & ITEM	PART NO.	AIRLINE PART NUMBER	NOMENCLATURE 1234567	EFF CODE	QTY PER ASSY
09-216	AN960-10L		...WASHER	E-H, L-BR, BT,B V-CB, CD-CM CP,CM R-CX, CZ-ED ,EK,E M-ER EX,E Z-HD, HG,HH ,HK-H Q,HS HT,H V-JW, JY,K A-KE, KG KJ-KM	AR
218	H10-3BAC		...NUT- (V15653) (SPEC BACN10JC3) (OPT NS202101-02 (V80539)) (OPT RMLH9075-3W (V72962)) (OPT T6S1032J (V71087)) (OPT VN303A02 (V92215)) (OPT 96-02 (V80539)) (OPT BRH10A3 (V52828))	E-H, L-BR, BT,B V-CB, CD-CM CP,CM R-CX, CZ-ED ,EK,E M-ER EX,E Z-HD, HG,HH ,HK-H Q,HS HT,H V-JW, JY,K A-KE, KG KJ-KM	1

78-31-14

ILLUSTRATED PARTS LIST
01.1 Page 1062L
Jul 01/04

015T0438
 315T3001
 315T4726
 315T3055

 **BOEING**
 COMPONENT
 MAINTENANCE MANUAL

FIG. & ITEM	PART NO.	AIRLINE PART NUMBER	NOMENCLATURE	EFF CODE	QTY PER ASSY
09-221	AN742D4		1234567 ...CLAMP	E-H, L-BR, BT,B V-CB, CD-CM CP,CM R-CX, CZ-ED ,EK,E M-ER EX,E Z-HD, HG,HH ,HK-H Q,HS HT,H V-JW, JY,K A-KE, KG KJ-KM	1

78-31-14

ILLUSTRATED PARTS LIST
 01.1 Page 1062M
 Jul 01/04

FIG. & ITEM	PART NO.	AIRLINE PART NUMBER	NOMENCLATURE	EFF CODE	QTY PER ASSY
09-224	315T3703-5		1234567 ...CONDUIT	E,G, L-P, S-U,A A,AE, AG,AJ AL,AN ,AQ,A S,AU, AW,AY ,BA BC,B E-BG, BL-BN ,BT,B V-CB CP,C R-CX, DJ,DL ,DN,D Q,DS DU,DW ,DY, EA,EC ,EN,E Q FA-FC ,FE,F J,FL, FN,FQ ,FS FU,FW ,FY, GA,GC ,GE,G G,GJ GL,GN ,GQ,G S,GT,	1

78-31-14

 ILLUSTRATED PARTS LIST
 01.1 Page 1062N
 Jul 01/04

015T0438
 315T3001
 315T4726
 315T3055

 **BOEING**
 COMPONENT
 MAINTENANCE MANUAL

FIG. & ITEM	PART NO.	AIRLINE PART NUMBER	NOMENCLATURE 1234567	EFF CODE	QTY PER ASSY
09-				GW,GY ,HA HC,HG ,HH,H K,HL, HS,HT ,HV HW,J D-JG, JM-JQ ,JV,J W,JY KA,KD ,KE, KG,KJ	

78-31-14

ILLUSTRATED PARTS LIST
 01.1 Page 10620
 Jul 01/04

FIG. & ITEM	PART NO.	AIRLINE PART NUMBER	NOMENCLATURE	EFF CODE	QTY PER ASSY
09- -227	315T3703-6		1234567 ...CONDUIT	F,H,Q ,R, V-Z,A B-AD, AF,AH AK,AM ,AP,A R,AT, AV,AX ,AZ BB,BD ,BH-B K,B P-BR, CD-CM CZ-DH ,DK,D M,DP, DR,DT ,DV DX,DZ ,EB, ED,EK ,EM,E P,ER EX,EZ ,FD,F F,FG, FH,FK ,FM FP,FR ,FT,F V,FX, FZ,GB ,GD GF,GH ,GK,G M,GP,	1

78-31-14

 ILLUSTRATED PARTS LIST
 01.1 Page 1062P
 Jul 01/04

015T0438
 315T3001
 315T4726
 315T3055

 **BOEING**
 COMPONENT
 MAINTENANCE MANUAL

FIG. & ITEM	PART NO.	AIRLINE PART NUMBER	NOMENCLATURE 1234567	EFF CODE	QTY PER ASSY
09-				GR,GU ,GV GX,GZ ,HB, HD,H M-HQ, HX-JC JH-JL ,JR-J U,KB, KC,K K-KM	

78-31-14

ILLUSTRATED PARTS LIST
 01.1 Page 1062Q
 Jul 01/04

FIG. & ITEM	PART NO.	AIRLINE PART NUMBER	NOMENCLATURE	EFF CODE	QTY PER ASSY
09-230	315T3703-9		1234567 ...ANGLE	E,G, L-P, S-U,A A,AE, AG,AJ AL,AN ,AQ,A S,AU, AW,AY ,BA BC,B E-BG, BL-BN ,BT,B V-CM CP,C R-CX, DJ,DL ,DN,D Q,DS DU,DW ,DY, EA,EC ,EN,E Q FA-FC ,FE,F J,FL, FN,FQ ,FS FU,FW ,FY, GA,GC ,GE,G G,GJ GL,GN ,GQ,G S,GT,	1

78-31-14

ILLUSTRATED PARTS LIST
 01.1 Page 1062R
 Jul 01/04

015T0438
 315T3001
 315T4726
 315T3055

 **BOEING**
 COMPONENT
 MAINTENANCE MANUAL

FIG. & ITEM	PART NO.	AIRLINE PART NUMBER	NOMENCLATURE 1234567	EFF CODE	QTY PER ASSY
09-				GW,GY ,HA HC,HG ,HH,H K,HL, HS,HT ,HV HW,J D-JG, JM-JQ ,JV,J W,JY KA,KD ,KE, KG,KJ	

78-31-14

ILLUSTRATED PARTS LIST
 01.1 Page 1062S
 Jul 01/04

FIG. & ITEM	PART NO.	AIRLINE PART NUMBER	NOMENCLATURE	EFF CODE	QTY PER ASSY
09- -233	315T3703-10		1234567 ... ANGLE	F, H, Q , R, V-Z, A B-AD, AF, AH AK, AM , AP, A R, AT, AV, AX , AZ BB, BD , BH-B K, B P-BR, CD-CM CZ-DH , DK, D M, DP, DR, DT , DV DX, DZ , EB, ED, EK , EM, E P, ER EX, EZ , FD, F F, FG, FH, FK , FM FP, FR , FT, F V, FX, FZ, GB , GD GF, GH , GK, G M, GP,	1

78-31-14

 ILLUSTRATED PARTS LIST
 01.1 Page 1062T
 Jul 01/04

015T0438
 315T3001
 315T4726
 315T3055

 **BOEING**
 COMPONENT
 MAINTENANCE MANUAL

FIG. & ITEM	PART NO.	AIRLINE PART NUMBER	NOMENCLATURE	EFF CODE	QTY PER ASSY
09-			1234567		
236	NAS1801-3-12		...SCREW	GR,GU ,GV GX,GZ ,HB, HD,H M-HQ, HX-JC JH-JL ,JR-J U,KB, KC,K K-KM E-H, L-BR, BT,B V-CB, CD-CM CP,CM R-CX, CZ-ED ,EK,E M-ER EX,E Z-HD, HG,HH ,HK-H Q,HS HT,H V-JW, JY,K A-KE, KG KJ-KM	2

78-31-14

ILLUSTRATED PARTS LIST
 01.1 Page 1062U
 Jul 01/04

FIG. & ITEM	PART NO.	AIRLINE PART NUMBER	NOMENCLATURE	EFF CODE	QTY PER ASSY
09-239	AN960PD10L		1234567 ...WASHER	E-H, L-BR, BT,B V-CB, CD-CM CP,CM R-CX, CZ-ED ,EK,E M-ER EX,E Z-HD, HG,HH ,HK-H Q,HS HT,H V-JW, JY,K A-KE, KG KJ-KM	2
242	AN960PD10		...WASHER- (OPT ITEM 242A)	E-H, L-BR, BT,B V-CB, CD-CM CP,CM R-CX, CZ-ED ,EK,E M-ER EX,E Z-HD, HG,HH ,HK-H Q,HS HT,H V-JW, JY,K A-KE, KG KJ-KM	AR

78-31-14

ILLUSTRATED PARTS LIST
 01.1 Page 1062V
 Jul 01/04

015T0438
 315T3001
 315T4726
 315T3055

 **BOEING**
 COMPONENT
 MAINTENANCE MANUAL

FIG. & ITEM	PART NO.	AIRLINE PART NUMBER	NOMENCLATURE	EFF CODE	QTY PER ASSY
09- -242A	AN960PD10L		1234567 ...WASHER- (OPT ITEM 242)	E-H, L-BR, BT,B V-CB, CD-CM CP,CM R-CX, CZ-ED ,EK,E M-ER EX,E Z-HD, HG,HH ,HK-H Q,HS HT,H V-JW, JY,K A-KE, KG KJ-KM	AR
245	BACN10GW3		...NUT	E-H, L-BR, BT,B V-CB, CD-CM CP,CM R-CX, CZ-ED ,EK,E M-ER EX,E Z-HD, HG,HH ,HK-H Q,HS HT,H V-JW, JY,K A-KE, KG KJ-KM	2

78-31-14

ILLUSTRATED PARTS LIST
 01.1 Page 1062W
 Jul 01/04

FIG. & ITEM	PART NO.	AIRLINE PART NUMBER	NOMENCLATURE	EFF CODE	QTY PER ASSY
09-248	315T3723-3		1234567 ...TARGET	E-H, L-BR, BT,B V-CB, CD-CM CP,CM R-CX, CZ-ED ,EK,E M-ER EX,E Z-HD, HG,HH ,HK-H Q,HS HT,H V-JW, JY,K A-KE, KG KJ-KM	1
251	BAC27TTR0017		...MARKER-ALUMINUM FOIL- DEPLOY	E-H, L-BR, BT,B V-CB, CD-CM CP,CM R-CX, CZ-ED ,EK,E M-ER EX,E Z-HD, HG,HH ,HK-H Q,HS HT,H V-JW, JY,K A-KE, KG KJ-KM	1

78-31-14

ILLUSTRATED PARTS LIST
 01.1 Page 1062X
 Jul 01/04

015T0438
 315T3001
 315T4726
 315T3055

 **BOEING**
 COMPONENT
 MAINTENANCE MANUAL

FIG. & ITEM	PART NO.	AIRLINE PART NUMBER	NOMENCLATURE	EFF CODE	QTY PER ASSY
09-254	BAC27TTR0028		1234567 ...MARKER-ALUMINUM FOIL-S-166	E,G, L-P, S-U,A A,AE, AG,AJ AL,AN ,AQ,A S,AU, AW,AY ,BA BC,B E-BG, BL-BN ,BT,B V-CB CP,C R-CX, DJ,DL ,DN,D Q,DS DU,DW ,DY, EA,EC ,EN,E Q FA-FC ,FE,F J,FL, FN,FQ ,FS FU,FW ,FY, GA,GC ,GE,G G,GJ GL,GN ,GQ,G S,GT,	1

78-31-14

ILLUSTRATED PARTS LIST
 01.1 Page 1062Y
 Jul 01/04

FIG. & ITEM	PART NO.	AIRLINE PART NUMBER	NOMENCLATURE 1234567	EFF CODE	QTY PER ASSY
09-				GW,GY ,HA HC,HG ,HH,H K,HL, HS,HT ,HV HW,J D-JG, JM-JQ ,JV,J W,JY KA,KD ,KE, KG,KJ	

78-31-14

015T0438
 315T3001
 315T4726
 315T3055

 **BOEING**
 COMPONENT
 MAINTENANCE MANUAL

FIG. & ITEM	PART NO.	AIRLINE PART NUMBER	NOMENCLATURE	EFF CODE	QTY PER ASSY
09- -257	BAC27TTR0029		1234567 ...MARKER-ALUMINUM FOIL- S-167	F,H,Q ,R, V-Z,A B-AD, AF,AH AK,AM ,AP,A R,AT, AV,AX ,AZ BB,BD ,BH-B K,B P-BR, CD-CM CZ-DH ,DK,D M,DP, DR,DT ,DV DX,DZ ,EB, ED,EK ,EM,E P,ER EX,EZ ,FD,F F,FG, FH,FK ,FM FP,FR ,FT,F V,FX, FZ,GB ,GD GF,GH ,GK,G M,GP,	1

78-31-14

ILLUSTRATED PARTS LIST
 01.1 Page 1063
 Jul 01/04

FIG. & ITEM	PART NO.	AIRLINE PART NUMBER	NOMENCLATURE	EFF CODE	QTY PER ASSY
09-			1234567		
260	BAC27TTR0018		...MARKER-ALUMINUM FOIL- ACTR UNLOCK	GR,GU ,GV GX,GZ ,HB, HD,H M-HQ, HX-JC JH-JL ,JR-J U,KB, KC,K K-KM E-H, L-BR, BT,B V-CB, CD-CM CP,CM R-CX, CZ-ED ,EK,E M-ER EX,E Z-HD, HG,HH ,HK-H Q,HS HT,H V-JW, JY,K A-KE, KG KJ-KM	1

78-31-14

ILLUSTRATED PARTS LIST
 01.1 Page 1064
 Jul 01/04

015T0438
 315T3001
 315T4726
 315T3055

 **BOEING**
 COMPONENT
 MAINTENANCE MANUAL

FIG. & ITEM	PART NO.	AIRLINE PART NUMBER	NOMENCLATURE	EFF CODE	QTY PER ASSY
09-263	BAC27TTR0026		1234567 ...MARKER-ALUMINUM FOIL-S-164	E,G, L-P, S-U,A A,AE, AG,AJ AL,AN ,AQ,A S,AU, AW,AY ,BA BC,B E-BG, BL-BN ,BT,B V-CB CP,C R-CX, DJ,DL ,DN,D Q,DS DU,DW ,DY, EA,EC ,EN,E Q FA-FC ,FE,F J,FL, FN,FQ ,FS FU,FW ,FY, GA,GC ,GE,G G,GJ GL,GN ,GQ,G S,GT,	1

78-31-14

ILLUSTRATED PARTS LIST
 01.1 Page 1064A
 Jul 01/04

FIG. & ITEM	PART NO.	AIRLINE PART NUMBER	NOMENCLATURE 1234567	EFF CODE	QTY PER ASSY
09-				GW,GY ,HA HC,HG ,HH,H K,HL, HS,HT ,HV HW,J D-JG, JM-JQ ,JV,J W,JY KA,KD ,KE, KG,KJ	

78-31-14

015T0438
 315T3001
 315T4726
 315T3055

 **BOEING**
 COMPONENT
 MAINTENANCE MANUAL

FIG. & ITEM	PART NO.	AIRLINE PART NUMBER	NOMENCLATURE	EFF CODE	QTY PER ASSY
09- -266	BAC27TTR0027		1234567 ...MARKER-ALUMINUM FOIL- S-165	F,H,Q ,R, V-Z,A B-AD, AF,AH AK,AM ,AP,A R,AT, AV,AX ,AZ BB,BD ,BH-B K,B P-BR, CD-CM CZ-DH ,DK,D M,DP, DR,DT ,DV DX,DZ ,EB, ED,EK ,EM,E P,ER EX,EZ ,FD,F F,FG, FH,FK ,FM FP,FR ,FT,F V,FX, FZ,GB ,GD GF,GH ,GK,G M,GP,	1

78-31-14

ILLUSTRATED PARTS LIST
 01.1 Page 1064C
 Jul 01/04

FIG. & ITEM	PART NO.	AIRLINE PART NUMBER	NOMENCLATURE	EFF CODE	QTY PER ASSY
09-			1234567		
269	BAC27TTR0016		...MARKER-ALUMINUM FOIL-AUTO RESTOW	GR,GU ,GV GX,GZ ,HB, HD,H M-HQ, HX-JC JH-JL ,JR-J U,KB, KC,K K-KM E-H, L-BR, BT,B V-CB, CD-CM CP,CM R-CX, CZ-ED ,EK,E M-ER EX,E Z-HD, HG,HH ,HK-H Q,HS HT,H V-JW, JY,K A-KE, KG KJ-KM	1

78-31-14

ILLUSTRATED PARTS LIST
 01.1 Page 1064D
 Jul 01/04

015T0438
 315T3001
 315T4726
 315T3055

 **BOEING**
 COMPONENT
 MAINTENANCE MANUAL

FIG. & ITEM	PART NO.	AIRLINE PART NUMBER	NOMENCLATURE	EFF CODE	QTY PER ASSY
09-272	BAC27TTR0030		1234567 ...MARKER-ALUMINUM FOIL-S-176	E,G, L-P, S-U,A A,AE, AG,AJ AL,AN ,AQ,A S,AU, AW,AY ,BA BC,B E-BG, BL-BN ,BT,B V-CB CP,C R-CX, DJ,DL ,DN,D Q,DS DU,DW ,DY, EA,EC ,EN,E Q FA-FC ,FE,F J,FL, FN,FQ ,FS FU,FW ,FY, GA,GC ,GE,G G,GJ GL,GN ,GQ,G S,GT,	1

78-31-14

ILLUSTRATED PARTS LIST
 01.1 Page 1064E
 Jul 01/04

FIG. & ITEM	PART NO.	AIRLINE PART NUMBER	NOMENCLATURE 1234567	EFF CODE	QTY PER ASSY
09-				GW,GY ,HA HC,HG ,HH,H K,HL, HS,HT ,HV HW,J D-JG, JM-JQ ,JV,J W,JY KA,KD ,KE, KG,KJ	

78-31-14

015T0438
 315T3001
 315T4726
 315T3055

 **BOEING**
 COMPONENT
 MAINTENANCE MANUAL

FIG. & ITEM	PART NO.	AIRLINE PART NUMBER	NOMENCLATURE	EFF CODE	QTY PER ASSY
09- -275	BAC27TTR0031		1234567 ...MARKER-ALUMINUM FOIL- S-177	F,H,Q ,R, V-Z,A B-AD, AF,AH AK,AM ,AP,A R,AT, AV,AX ,AZ BB,BD ,BH-B K,B P-BR, CD-CM CZ-DH ,DK,D M,DP, DR,DT ,DV DX,DZ ,EB, ED,EK ,EM,E P,ER EX,EZ ,FD,F F,FG, FH,FK ,FM FP,FR ,FT,F V,FX, FZ,GB ,GD GF,GH ,GK,G M,GP,	1

78-31-14

ILLUSTRATED PARTS LIST
 01.1 Page 1064G
 Jul 01/04

FIG. & ITEM	PART NO.	AIRLINE PART NUMBER	NOMENCLATURE 1234567	EFF CODE	QTY PER ASSY
09-				GR,GU ,GV GX,GZ ,HB, HD,H M-HQ, HX-JC JH-JL ,JR-J U,KB, KC,K K-KM	

78-31-14

015T0438
 315T3001
 315T4726
 315T3055

 **BOEING**
 COMPONENT
 MAINTENANCE MANUAL

FIG. & ITEM	PART NO.	AIRLINE PART NUMBER	NOMENCLATURE	EFF CODE	QTY PER ASSY
09-278	315T3556-1		1234567 ..BUMPER ASSY-UPR STOP	E,G, L-P, S-U,A A,AE, AG,AJ AL,AN ,AQ,A S,AU, AW,AY ,BA BC,B E-BG, BL-BN ,BT,B V-CM CP,C R-CX, DJ,DL ,DN,D Q,DS DU,DW ,DY, EA,EC ,EN,E Q FA-FC ,FE,F J,FL, FN,FQ ,FS FU,FW ,FY, GA,GC ,GE,G G,GJ GL,GN ,GQ,G S,GT,	1

78-31-14

ILLUSTRATED PARTS LIST
 01.1 Page 1064I
 Jul 01/04

FIG. & ITEM	PART NO.	AIRLINE PART NUMBER	NOMENCLATURE 1234567	EFF CODE	QTY PER ASSY
09-				GW,GY ,HA HC,HG ,HH,H K,HL, HS,HT ,HV HW,J D-JG, JM-JQ ,JV,J W,JY KA,KD ,KE, KG,KJ	

78-31-14

ILLUSTRATED PARTS LIST
 01.1 Page 1064J
 Jul 01/04

015T0438
 315T3001
 315T4726
 315T3055

 **BOEING**
 COMPONENT
 MAINTENANCE MANUAL

FIG. & ITEM	PART NO.	AIRLINE PART NUMBER	NOMENCLATURE	EFF CODE	QTY PER ASSY
09-281	315T3556-2		1234567 ..BUMPER ASSY-UPR STOP	F,H,Q ,R, V-Z,A B-AD, AF,AH AK,AM ,AP,A R,AT, AV,AX ,AZ BB,BD ,BH-B K,B P-BR, CD-CM CZ-DH ,DK,D M,DP, DR,DT ,DV DX,DZ ,EB, ED,EK ,EM,E P,ER EX,EZ ,FD,F F,FG, FH,FK ,FM FP,FR ,FT,F V,FX, FZ,GB ,GD GF,GH ,GK,G M,GP,	1

78-31-14

ILLUSTRATED PARTS LIST
 01.1 Page 1064K
 Jul 01/04

FIG. & ITEM	PART NO.	AIRLINE PART NUMBER	NOMENCLATURE	EFF CODE	QTY PER ASSY
09-			1234567		
284	BACB30VF4K12		ATTACHING PARTS ..BOLT	GR, GU ,GV GX, GZ ,HB, HD, H M-HQ, HX-JC JH-JL ,JR-J U, KB, KC, K K-KM E-H, L-BR, BT, B V-CB, CD-CM CP, CM R-CX, CZ-ED ,EK, E M-ER EX, E Z-HD, HG, HH ,HK-H Q, HS HT, H V-JW, JY, K A-KE, KG KJ-KM	2
			-----*		

78-31-14

 ILLUSTRATED PARTS LIST
 01.1 Page 1064L
 Jul 01/04

015T0438
 315T3001
 315T4726
 315T3055

 **BOEING**
 COMPONENT
 MAINTENANCE MANUAL

FIG. & ITEM	PART NO.	AIRLINE PART NUMBER	NOMENCLATURE	EFF CODE	QTY PER ASSY
09-287	BACR15BA3AD		1234567 ...RIVET- (SIZE DETERMINE ON INST)	E-H, L-BR, BT,B V-CB, CD-CM CP,CM R-CX, CZ-ED ,EK,E M-ER EX,E Z-HD, HG,HH ,HK-H Q,HS HT,H V-JW, JY,K A-KE, KG KJ-KM	4
290	T8124S4S		...NUTPLATE- (V71087) (SPEC BACN10JN4) (OPT MF1000-4BAC (V15653)) (OPT NS103218-048 (V80539)) (OPT RMF9201M4 (V72962)) (OPT VN252A048 (V92215)) (OPT VN252A048 (V92215)) (OPT T8124S4S (V11815))	E-H, L-BR, BT,B V-CB, CD-CM CP,CM R-CX, CZ-ED ,EK,E M-ER EX,E Z-HD, HG,HH ,HK-H Q,HS HT,H V-JW, JY,K A-KE, KG KJ-KM	2

78-31-14

ILLUSTRATED PARTS LIST
 01.1 Page 1064M
 Jul 01/04

FIG. & ITEM	PART NO.	AIRLINE PART NUMBER	NOMENCLATURE	EFF CODE	QTY PER ASSY
09-293	315T3556-7		1234567 ...BUMPER	E,G, L-P, S-U,A A,AE, AG,AJ AL,AN ,AQ,A S,AU, AW,AY ,BA BC,B E-BG, BL-BN ,BT,B V-CB CP,C R-CX, DJ,DL ,DN,D Q,DS DU,DW ,DY, EA,EC ,EN,E Q FA-FC ,FE,F J,FL, FN,FQ ,FS FU,FW ,FY, GA,GC ,GE,G G,GJ GL,GN ,GQ,G S,GT,	1

78-31-14

ILLUSTRATED PARTS LIST
 01.1 Page 1064N
 Jul 01/04

015T0438
 315T3001
 315T4726
 315T3055

 **BOEING**
 COMPONENT
 MAINTENANCE MANUAL

FIG. & ITEM	PART NO.	AIRLINE PART NUMBER	NOMENCLATURE 1234567	EFF CODE	QTY PER ASSY
09-				GW,GY ,HA HC,HG ,HH,H K,HL, HS,HT ,HV HW,J D-JG, JM-JQ ,JV,J W,JY KA,KD ,KE, KG,KJ	

78-31-14

ILLUSTRATED PARTS LIST

01.1 Page 10640

Jul 01/04

FIG. & ITEM	PART NO.	AIRLINE PART NUMBER	NOMENCLATURE	EFF CODE	QTY PER ASSY
09- -296	315T3556-8		1234567 ...BUMPER	F,H,Q ,R, V-Z,A B-AD, AF,AH AK,AM ,AP,A R,AT, AV,AX ,AZ BB,BD ,BH-B K,B P-BR, CD-CM CZ-DH ,DK,D M,DP, DR,DT ,DV DX,DZ ,EB, ED,EK ,EM,E P,ER EX,EZ ,FD,F F,FG, FH,FK ,FM FP,FR ,FT,F V,FX, FZ,GB ,GD GF,GH ,GK,G M,GP,	1

78-31-14

 ILLUSTRATED PARTS LIST
 01.1 Page 1064P
 Jul 01/04

015T0438
 315T3001
 315T4726
 315T3055

 **BOEING**
 COMPONENT
 MAINTENANCE MANUAL

FIG. & ITEM	PART NO.	AIRLINE PART NUMBER	NOMENCLATURE 1234567	EFF CODE	QTY PER ASSY
09-				GR,GU ,GV GX,GZ ,HB, HD,H M-HQ, HX-JC JH-JL ,JR-J U,KB, KC,K K-KM	

78-31-14

ILLUSTRATED PARTS LIST
 01.1 Page 1064Q
 Jul 01/04

FIG. & ITEM	PART NO.	AIRLINE PART NUMBER	NOMENCLATURE	EFF CODE	QTY PER ASSY
09-299	315T3556-11		1234567 ..BUMPER ASSY-LWR STOP	E,G, L-P, S-U,A A,AE, AG,AJ AL,AN ,AQ,A S,AU, AW,AY ,BA BC,B E-BG, BL-BN ,BT,B V-CB CP,C R-CX, DJ,DL ,DN,D Q,DS DU,DW ,DY, EA,EC ,EN,E Q FA-FC ,FE,F J,FL, FN,FQ ,FS FU,FW ,FY, GA,GC ,GE,G G,GJ GL,GN ,GQ,G S,GT,	1

78-31-14

 ILLUSTRATED PARTS LIST
 01.1 Page 1064R
 Jul 01/04

015T0438
 315T3001
 315T4726
 315T3055

 **BOEING**
 COMPONENT
 MAINTENANCE MANUAL

FIG. & ITEM	PART NO.	AIRLINE PART NUMBER	NOMENCLATURE 1234567	EFF CODE	QTY PER ASSY
09-				GW,GY ,HA HC,HG ,HH,H K,HL, HS,HT ,HV HW,J D-JG, JM-JQ ,JV,J W,JY KA,KD ,KE, KG,KJ	

78-31-14

ILLUSTRATED PARTS LIST
 01.1 Page 1064S
 Jul 01/04

FIG. & ITEM	PART NO.	AIRLINE PART NUMBER	NOMENCLATURE	EFF CODE	QTY PER ASSY
09-302	315T3556-12		1234567 ..BUMPER ASSY-LWR STOP	F,H,Q ,R, V-Z,A B-AD, AF,AH AK,AM ,AP,A R,AT, AV,AX ,AZ BB,BD ,BH-B K,B P-BR, CD-CM CZ-DH ,DK,D M,DP, DR,DT ,DV DX,DZ ,EB, ED,EK ,EM,E P,ER EX,EZ ,FD,F F,FG, FH,FK ,FM FP,FR ,FT,F V,FX, FZ,GB ,GD GF,GH ,GK,G M,GP,	1

78-31-14

ILLUSTRATED PARTS LIST
 01.1 Page 1064T
 Jul 01/04

015T0438
 315T3001
 315T4726
 315T3055

BOEING
 COMPONENT
 MAINTENANCE MANUAL

FIG. & ITEM	PART NO.	AIRLINE PART NUMBER	NOMENCLATURE	EFF CODE	QTY PER ASSY
09-			1234567		
305	BACB30VF3K12		ATTACHING PARTS ..BOLT	GR,GU ,GV GX,GZ ,HB, HD,H M-HQ, HX-JC JH-JL ,JR-J U,KB, KC,K K-KM E-H, L-BR, BT,B V-CB, CD-CM CP,CM R-CX, CZ-ED ,EK,E M-ER EX,E Z-HD, HG,HH ,HK-H Q,HS HT,H V-JW, JY,K A-KE, KG KJ-KM	4
			-----*		

78-31-14

ILLUSTRATED PARTS LIST
 01.1 Page 1064U
 Jul 01/04

FIG. & ITEM	PART NO.	AIRLINE PART NUMBER	NOMENCLATURE 1234567	EFF CODE	QTY PER ASSY
09-308	BACR15BA3AD		...RIVET- (SIZE DETERMINE ON INST)	E-H, L-BR, BT,B V-CB, CD-CM CP,CM R-CX, CZ-ED ,EK,E M-ER EX,E Z-HD, HG,HH ,HK-H Q,HS HT,H V-JW, JY,K A-KE, KG KJ-KM	8
311	BRFM20A3		...NUTPLATE- (V52828) (SPEC BACN10JN3) (OPT MF1000-3BAC (V15653)) (OPT NS103218-02 (V80539)) (OPT RMF9201M3 (V72962)) (OPT VN252A02 (V92215)) (OPT MF1000-3BAC (V15653)) (OPT MF53049-3 (V15653))	E-H, L-BR, BT,B V-CB, CD-CM CP,CM R-CX, CZ-ED ,EK,E M-ER EX,E Z-HD, HG,HH ,HK-H Q,HS HT,H V-JW, JY,K A-KE, KG KJ-KM	4

78-31-14

 ILLUSTRATED PARTS LIST
 01.1 Page 1064V
 Jul 01/04

015T0438
 315T3001
 315T4726
 315T3055

 **BOEING**
 COMPONENT
 MAINTENANCE MANUAL

FIG. & ITEM	PART NO.	AIRLINE PART NUMBER	NOMENCLATURE 1234567	EFF CODE	QTY PER ASSY
09-314	315T3556-13		...BUMPER	E,G, L-P, S-U,A A,AE, AG,AJ AL,AN ,AQ,A S,AU, AW,AY ,BA BC,B E-BG, BL-BN ,BT,B V-CB CP,C R-CX, DJ,DL ,DN,D Q,DS DU,DW ,DY, EA,EC ,EN,E Q FA-FC ,FE,F J,FL, FN,FQ ,FS FU,FW ,FY, GA,GC ,GE,G G,GJ GL,GN ,GQ,G S,GT,	1

78-31-14

ILLUSTRATED PARTS LIST
 01.1 Page 1064W
 Jul 01/04

FIG. & ITEM	PART NO.	AIRLINE PART NUMBER	NOMENCLATURE 1234567	EFF CODE	QTY PER ASSY
09-				GW,GY ,HA HC,HG ,HH,H K,HL, HS,HT ,HV HW,J D-JG, JM-JQ ,JV,J W,JY KA,KD ,KE, KG,KJ	

78-31-14

ILLUSTRATED PARTS LIST
 01.1 Page 1064X
 Jul 01/04

015T0438
 315T3001
 315T4726
 315T3055

 **BOEING**
 COMPONENT
 MAINTENANCE MANUAL

FIG. & ITEM	PART NO.	AIRLINE PART NUMBER	NOMENCLATURE	EFF CODE	QTY PER ASSY
09-317	315T3556-14		1234567 ...BUMPER	F,H,Q ,R, V-Z,A B-AD, AF,AH AK,AM ,AP,A R,AT, AV,AX ,AZ BB,BD ,BH-B K,B P-BR, CD-CM CZ-DH ,DK,D M,DP, DR,DT ,DV DX,DZ ,EB, ED,EK ,EM,E P,ER EX,EZ ,FD,F F,FG, FH,FK ,FM FP,FR ,FT,F V,FX, FZ,GB ,GD GF,GH ,GK,G M,GP,	1

78-31-14

ILLUSTRATED PARTS LIST
 01.1 Page 1064Y
 Jul 01/04

FIG. & ITEM	PART NO.	AIRLINE PART NUMBER	NOMENCLATURE 1234567	EFF CODE	QTY PER ASSY
09-				GR,GU ,GV GX,GZ ,HB, HD,H M-HQ, HX-JC JH-JL ,JR-J U,KB, KC,K K-KM	

78-31-14

015T0438
 315T3001
 315T4726
 315T3055

 **BOEING**
 COMPONENT
 MAINTENANCE MANUAL

FIG. & ITEM	PART NO.	AIRLINE PART NUMBER	NOMENCLATURE	EFF CODE	QTY PER ASSY
09-320	315T1604-1		1234567 ..PIN-DEACTIVATION (OPT ITEM 320A)	E,G, L-P, S-U,A A,AE, AG,AJ AL,AN ,AQ,A S,AU, AW,AY ,BA BC,B E-BG, BL-BN ,BT,B V-CB CP,C R-CX, DJ,DL ,DN,D Q,DS DU,DW ,DY, EA,EC ,EN,E Q FA-FC ,FE,F J,FL, FN,FQ ,FS FU,FW ,FY, GA,GC ,GE,G G,GJ GL,GN ,GQ,G S,GT,	1

78-31-14

ILLUSTRATED PARTS LIST
 01.1 Page 1065
 Jul 01/04

FIG. & ITEM	PART NO.	AIRLINE PART NUMBER	NOMENCLATURE 1234567	EFF CODE	QTY PER ASSY
09-				GW,GY ,HA HC,HG ,HH,H K,HL, HS,HT ,HV HW,J D-JG, JM-JQ ,JV,J W,JY KA,KD ,KE, KG,KJ	

78-31-14

ILLUSTRATED PARTS LIST
 01.1 Page 1066
 Jul 01/04

015T0438
 315T3001
 315T4726
 315T3055

 **BOEING**
 COMPONENT
 MAINTENANCE MANUAL

FIG. & ITEM	PART NO.	AIRLINE PART NUMBER	NOMENCLATURE	EFF CODE	QTY PER ASSY
09-320A	315T1604-2		1234567 ..PIN-DEACTIVATION (OPT ITEM 320)	E,G, L-P, S-U,A A,AE, AG,AJ AL,AN ,AQ,A S,AU, AW,AY ,BA BC,B E-BG, BL-BN ,BT,B V-CB CP,C R-CX, DJ,DL ,DN,D Q,DS DU,DW ,DY, EA,EC ,EN,E Q FA-FC ,FE,F J,FL, FN,FQ ,FS FU,FW ,FY, GA,GC ,GE,G G,GJ GL,GN ,GQ,G S,GT,	1

78-31-14

ILLUSTRATED PARTS LIST
 01.1 Page 1066A
 Jul 01/04

FIG. & ITEM	PART NO.	AIRLINE PART NUMBER	NOMENCLATURE 1234567	EFF CODE	QTY PER ASSY
09-				GW,GY ,HA HC,HG ,HH,H K,HL, HS,HT ,HV HW,J D-JG, JM-JQ ,JV,J W,JY KA,KD ,KE, KG,KJ	

78-31-14

ILLUSTRATED PARTS LIST
 01.1 Page 1066B
 Jul 01/04

015T0438
 315T3001
 315T4726
 315T3055

 **BOEING**
 COMPONENT
 MAINTENANCE MANUAL

FIG. & ITEM	PART NO.	AIRLINE PART NUMBER	NOMENCLATURE 1234567	EFF CODE	QTY PER ASSY
09-321	315T1604-1		..PIN-DEACTIVATION (OPT ITEM 321A)	F,H,Q ,R, V-Z,A B-AD, AF,AH AK,AM ,AP,A R,AT, AV,AX ,AZ BB,BD ,BH-B K,B P-BR, CD-CM CZ-DH ,DK,D M,DP, DR,DT ,DV DX,DZ ,EB, ED,EK ,EM,E P,ER EX,EZ ,FD,F F,FG, FH,FK ,FM FP,FR ,FT,F V,FX, FZ,GB ,GD GF,GH ,GK,G M,GP,	1

78-31-14

ILLUSTRATED PARTS LIST
 01.1 Page 1066C
 Jul 01/04

FIG. & ITEM	PART NO.	AIRLINE PART NUMBER	NOMENCLATURE 1234567	EFF CODE	QTY PER ASSY
09-				GR, GU ,GV GX, GZ ,HB, HD, H M-HQ, HX-JC JH-JL ,JR-J U, KB, KC, K K-KM	

78-31-14

ILLUSTRATED PARTS LIST
 01.1 Page 1066D
 Jul 01/04

015T0438
 315T3001
 315T4726
 315T3055

 **BOEING**
 COMPONENT
 MAINTENANCE MANUAL

FIG. & ITEM	PART NO.	AIRLINE PART NUMBER	NOMENCLATURE	EFF CODE	QTY PER ASSY
09-321A	315T1604-2		1234567 ..PIN-DEACTIVATION (OPT ITEM 321) (PRE SB 767-78A0089)	F,H,Q ,R, V-Z,A B-AD, AF,AH AK,AM ,AP,A R,AT, AV,AX ,AZ BB,BD ,BH-B K,B P-BR, CD-CM CZ-DH ,DK,D M,DP, DR,DT ,DV DX,DZ ,EB, ED,EK ,EM,E P,ER EX,EZ ,FD,F F,FG, FH,FK ,FM FP,FR ,FT,F V,FX, FZ,GB ,GD GF,GH ,GK,G M,GP,	1

78-31-14

ILLUSTRATED PARTS LIST
 01.1 Page 1066E
 Jul 01/04

FIG. & ITEM	PART NO.	AIRLINE PART NUMBER	NOMENCLATURE 1234567	EFF CODE	QTY PER ASSY
09-				GR,GU ,GV GX,GZ ,HB, HD,H M-HQ, HX-JC JH-JL ,JR-J U,KB, KC,K K-KM	

78-31-14

015T0438
 315T3001
 315T4726
 315T3055

 **BOEING**
 COMPONENT
 MAINTENANCE MANUAL

FIG. & ITEM	PART NO.	AIRLINE PART NUMBER	NOMENCLATURE	EFF CODE	QTY PER ASSY
R 09-321B	315T1604-6		1234567 ..PIN-DEACTIVATION (POST SB 767-78A0089)	F,H,Q ,R, V-Z,A B-AD, AF,AH AK,AM ,AP,A R,AT, AV,AX ,AZ BB,BD ,BH-B K,B P-BR, CD-CM CZ-DH ,DK,D M,DP, DR,DT ,DV DX,DZ ,EB, ED,EK ,EM,E P,ER EX,EZ ,FD,F F,FG, FH,FK ,FM FP,FR ,FT,F V,FX, FZ,GB ,GD GF,GH ,GK,G M,GP,	1

78-31-14

ILLUSTRATED PARTS LIST
 01.1 Page 1066G
 Jul 01/04

FIG. & ITEM	PART NO.	AIRLINE PART NUMBER	NOMENCLATURE 1234567	EFF CODE	QTY PER ASSY
09-				GR, GU ,GV GX, GZ ,HB, HD, H M-HQ, HX-JC JH-JL ,JR-J U, KB, KC, K K-KM	

78-31-14

015T0438
 315T3001
 315T4726
 315T3055

 **BOEING**
 COMPONENT
 MAINTENANCE MANUAL

FIG. & ITEM	PART NO.	AIRLINE PART NUMBER	NOMENCLATURE	EFF CODE	QTY PER ASSY
09-323	315T3701-1		1234567 ..INTERLOCK INSTL-THRUST REVERSER FEEDBACK (FOR DETAILS SEE FIG. 5)	E,G, L-P, S-U,A A,AE, AG,AJ AL,AN ,AQ,A S,AU, AW,AY ,BA BC,B E-BG, BL-BN ,BT,B V-CB CP,C R-CX, DJ,DL ,DN,D Q,DS DU,DW ,DY, EA,EC ,EN,E Q FA-FC ,FE,F J,FL, FN,FQ ,FS FU,FW ,FY, GA,GC ,GE,G G,GJ GL,GN ,GQ,G S,GT,	1

78-31-14

ILLUSTRATED PARTS LIST
 01.1 Page 1066I
 Jul 01/04

FIG. & ITEM	PART NO.	AIRLINE PART NUMBER	NOMENCLATURE 1234567	EFF CODE	QTY PER ASSY
09-				GW,GY ,HA HC,HG ,HH,H K,HL, HS,HT ,HV HW,J D-JG, JM-JQ ,JV,J W,JY KA,KD ,KE, KG,KJ	

78-31-14

015T0438
 315T3001
 315T4726
 315T3055

 **BOEING**
 COMPONENT
 MAINTENANCE MANUAL

FIG. & ITEM	PART NO.	AIRLINE PART NUMBER	NOMENCLATURE	EFF CODE	QTY PER ASSY
09-326	315T3701-2		1234567 ..INTERLOCK INSTL-THRUST REVERSER FEEDBACK (FOR DETAILS SEE FIG. 5)	F,H,Q ,R, V-Z,A B-AD, AF,AH AK,AM ,AP,A R,AT, AV,AX ,AZ BB,BD ,BH-B K,B P-BR, CD-CM CZ-DH ,DK,D M,DP, DR,DT ,DV DX,DZ ,EB, ED,EK ,EM,E P,ER EX,EZ ,FD,F F,FG, FH,FK ,FM FP,FR ,FT,F V,FX, FZ,GB ,GD GF,GH ,GK,G M,GP,	1

78-31-14

ILLUSTRATED PARTS LIST
 01.1 Page 1066K
 Jul 01/04

FIG. & ITEM	PART NO.	AIRLINE PART NUMBER	NOMENCLATURE 1234567	EFF CODE	QTY PER ASSY
09-				GR, GU ,GV GX, GZ ,HB, HD, H M-HQ, HX-JC JH-JL ,JR-J U, KB, KC, K K-KM	

78-31-14

015T0438
 315T3001
 315T4726
 315T3055

 **BOEING**
 COMPONENT
 MAINTENANCE MANUAL

FIG. & ITEM	PART NO.	AIRLINE PART NUMBER	NOMENCLATURE	EFF CODE	QTY PER ASSY
09-329	315T3605-1		1234567 ..ROD INSTL-HOLD OPEN	E,G, L-P, S-U,A A,AE, AG,AJ AL,AN ,AQ,A S,AU, AW,AY ,BA BC,B E-BG, BL-BN ,BT,B V-CB CP,C R-CX, DJ,DL ,DN,D Q,DS DU,DW ,DY, EA,EC ,EN,E Q FA-FC ,FE,F J,FL, FN,FQ ,FS FU,FW ,FY, GA,GC ,GE,G G,GJ GL,GN ,GQ,G S,GT,	1

78-31-14

ILLUSTRATED PARTS LIST
 01.1 Page 1066M
 Jul 01/04

FIG. & ITEM	PART NO.	AIRLINE PART NUMBER	NOMENCLATURE 1234567	EFF CODE	QTY PER ASSY
09-				GW,GY ,HA HC,HG ,HH,H K,HL, HS,HT ,HV HW,J D-JG, JM-JQ ,JV,J W,JY KA,KD ,KE, KG,KJ	

78-31-14

ILLUSTRATED PARTS LIST
 01.1 Page 1066N
 Jul 01/04

015T0438
 315T3001
 315T4726
 315T3055

 **BOEING**
 COMPONENT
 MAINTENANCE MANUAL

FIG. & ITEM	PART NO.	AIRLINE PART NUMBER	NOMENCLATURE	EFF CODE	QTY PER ASSY
09-332	315T3605-2		1234567 ..ROD INSTL-HOLD OPEN	F,H,Q ,R, V-Z,A B-AD, AF,AH AK,AM ,AP,A R,AT, AV,AX ,AZ BB,BD ,BH-B K,B P-BR, CD-CM CZ-DH ,DK,D M,DP, DR,DT ,DV DX,DZ ,EB, ED,EK ,EM,E P,ER EX,EZ ,FD,F F,FG, FH,FK ,FM FP,FR ,FT,F V,FX, FZ,GB ,GD GF,GH ,GK,G M,GP,	1

78-31-14

ILLUSTRATED PARTS LIST
 01.1 Page 10660
 Jul 01/04

FIG. & ITEM	PART NO.	AIRLINE PART NUMBER	NOMENCLATURE	EFF CODE	QTY PER ASSY
09-			1234567		
-335	315T3605-7001		...COLLECTOR-COMMON PARTS	GR,GU ,GV GX,GZ ,HB, HD,H M-HQ, HX-JC JH-JL ,JR-J U,KB, KC,K K-KM E-H, L-BR, BT,B V-CB, CD-CM CP,CM R-CX, CZ-ED ,EK,E M-ER EX,E Z-HD, HG,HH ,HK-H Q,HS HT,H V-JW, JY,K A-KE, KG KJ-KM	1

78-31-14

 ILLUSTRATED PARTS LIST
 01.1 Page 1066P
 Jul 01/04

015T0438
 315T3001
 315T4726
 315T3055

 **BOEING**
 COMPONENT
 MAINTENANCE MANUAL

FIG. & ITEM	PART NO.	AIRLINE PART NUMBER	NOMENCLATURE	EFF CODE	QTY PER ASSY
09-338	BACB30LJ5-18		1234567BOLT	E-H, L-BR, BT,B V-CB, CD-CM CP,CM R-CX, CZ-ED ,EK,E M-ER EX,E Z-HD, HG,HH ,HK-H Q,HS HT,H V-JW, JY,K A-KE, KG KJ-KM	1
R 339	AN960C516	WASHER	E-H, L-BR, BT,B V-CB, CD-CM CP,CM R-CX, CZ-ED ,EK,E M-ER EX,E Z-HD, HG,HH ,HK-H Q,HS HT,H V-JW, JY,K A-KE, KG KJ-KM	1

78-31-14

ILLUSTRATED PARTS LIST
 01.1 Page 1066Q
 Jul 01/04

FIG. & ITEM	PART NO.	AIRLINE PART NUMBER	NOMENCLATURE 1234567	EFF CODE	QTY PER ASSY
09-341	BACB28X7M020	BUSHING	E-H, L-BR, BT,B V-CB, CD-CM CP,CM R-CX, CZ-ED ,EK,E M-ER EX,E Z-HD, HG,HH ,HK-H Q,HS HT,H V-JW, JY,K A-KE, KG KJ-KM	1
344	BACB28AK05-036	BUSHING	E-H, L-BR, BT,B V-CB, CD-CM CP,CM R-CX, CZ-ED ,EK,E M-ER EX,E Z-HD, HG,HH ,HK-H Q,HS HT,H V-JW, JY,K A-KE, KG KJ-KM	1

78-31-14

ILLUSTRATED PARTS LIST
 01.1 Page 1066R
 Jul 01/04

015T0438
 315T3001
 315T4726
 315T3055

 **BOEING**
 COMPONENT
 MAINTENANCE MANUAL

FIG. & ITEM	PART NO.	AIRLINE PART NUMBER	NOMENCLATURE	EFF CODE	QTY PER ASSY
09-347	NAS577-5A		1234567NUT	E-H, L-BR, BT,B V-CB, CD-CM CP,CM R-CX, CZ-ED ,EK,E M-ER EX,E Z-HD, HG,HH ,HK-H Q,HS HT,H V-JW, JY,K A-KE, KG KJ-KM	1
350	NAS578-5A	RETAINER	E-H, L-BR, BT,B V-CB, CD-CM CP,CM R-CX, CZ-ED ,EK,E M-ER EX,E Z-HD, HG,HH ,HK-H Q,HS HT,H V-JW, JY,K A-KE, KG KJ-KM	1

78-31-14

ILLUSTRATED PARTS LIST
 01.1 Page 1066S
 Jul 01/04

FIG. & ITEM	PART NO.	AIRLINE PART NUMBER	NOMENCLATURE	EFF CODE	QTY PER ASSY
09-353	BACB30LM4-4		1234567BOLT	E-H, L-BR, BT,B V-CB, CD-CM CP,CM R-CX, CZ-ED ,EK,E M-ER EX,E Z-HD, HG,HH ,HK-H Q,HS HT,H V-JW, JY,K A-KE, KG KJ-KM	2
356	RC1108	RECEIVER- (V08844) (SPEC S314T220-3)	E-H, L-BR, BT,B V-CB, CD-CM CP,CM R-CX, CZ-ED ,EK,E M-ER EX,E Z-HD, HG,HH ,HK-H Q,HS HT,H V-JW, JY,K A-KE, KG KJ-KM	1

78-31-14

ILLUSTRATED PARTS LIST
 01.1 Page 1066T
 Jul 01/04

015T0438
 315T3001
 315T4726
 315T3055

 **BOEING**
 COMPONENT
 MAINTENANCE MANUAL

FIG. & ITEM	PART NO.	AIRLINE PART NUMBER	NOMENCLATURE	EFF CODE	QTY PER ASSY
09-359	315T3605-4		1234567FILLER-RADIUS (MFD FROM SHEET AL 2024-T3 QQ-A-25/4 F-18.13 0.125 IN. 0.70 IN. 1.20 IN.)	E-H, L-BR, BT,B V-CB, CD-CM CP,CM R-CX, CZ-ED ,EK,E M-ER EX,E Z-HD, HG,HH ,HK-H Q,HS HT,H V-JW, JY,K A-KE, KG KJ-KM	2
-362	315T3605-5001		...COLLECTOR-LIMITED PARTS (LIMITED)	E-H, L-BR, BT,B V-CB, CD-CM CP,CM R-CX, CZ-ED ,EK,E M-ER EX,E Z-HD, HG,HH ,HK-H Q,HS HT,H V-JW, JY,K A-KE, KG KJ-KM	1

78-31-14

ILLUSTRATED PARTS LIST
 01.1 Page 1066U
 Jul 01/04

FIG. & ITEM	PART NO.	AIRLINE PART NUMBER	NOMENCLATURE 1234567	EFF CODE	QTY PER ASSY
09- -362A	315T3605-5002		...COLLECTOR-LIMITED PARTS (REWORK) (LIMITED)	E-H, L-BR, BT,B V-CB, CD-CM CP,CM R-CX, CZ-ED ,EK,E M-ER EX,E Z-HD, HG,HH ,HK-H Q,HS HT,H V-JW, JY,K A-KE, KG KJ-KM	1
-362B	315T3605-5003		...COLLECTOR-LIMITED PARTS (LIMITED)	E-H, L-BR, BT,B V-CB, CD-CM CP,CM R-CX, CZ-ED ,EK,E M-ER EX,E Z-HD, HG,HH ,HK-H Q,HS HT,H V-JW, JY,K A-KE, KG KJ-KM	1

78-31-14

ILLUSTRATED PARTS LIST
 01.1 Page 1066V
 Jul 01/04

015T0438
 315T3001
 315T4726
 315T3055

 **BOEING**
 COMPONENT
 MAINTENANCE MANUAL

FIG. & ITEM	PART NO.	AIRLINE PART NUMBER	NOMENCLATURE 1234567	EFF CODE	QTY PER ASSY
09-365	A2724-3	STRUT ASSY-THRUST REVERSER DOOR (V08844) (SPEC S315T366-2) (USED ON ITEM 362)	E-H, L-BR, BT,B V-CB, CD-CM CP,CM R-CX, CZ-ED ,EK,E M-ER EX,E Z-HD, HG,HH ,HK-H Q,HS HT,H V-JW, JY,K A-KE, KG KJ-KM	1
-365A -365B	S315T366-5 315T3159-1		DELETEDROD ASSY-HOLD OPEN (REWORK) (USED ON ITEM 362A) (FOR DETAILS SEE FIG. 8)	E-H, L-BR, BT,B V-CB, CD-CM CP,CM R-CX, CZ-ED ,EK,E M-ER EX,E Z-HD, HG,HH ,HK-H Q,HS HT,H V-JW, JY,K A-KE, KG KJ-KM	1

78-31-14

ILLUSTRATED PARTS LIST
 01.1 Page 1066W
 Jul 01/04

FIG. & ITEM	PART NO.	AIRLINE PART NUMBER	NOMENCLATURE	EFF CODE	QTY PER ASSY
09-			1234567		
-365C	A6501-1		DELETED		
-365E	A6501-2		DELETED		
-365F	S315T366-9		DELETED		
-365G	A6501-3	STRUT ASSY- (V08844) (SPEC S315T366-9) (USED ON ITEM 362B)	E-H, L-BR, BT,B V-CB, CD-CM CP,CM R-CX, CZ-ED ,EK,E M-ER EX,E Z-HD, HG,HH ,HK-H Q,HS HT,H V-JW, JY,K A-KE, KG KJ-KM	1

78-31-14

ILLUSTRATED PARTS LIST
 01.1 Page 1066X
 Jul 01/04

015T0438
 315T3001
 315T4726
 315T3055

 **BOEING**
 COMPONENT
 MAINTENANCE MANUAL

FIG. & ITEM	PART NO.	AIRLINE PART NUMBER	NOMENCLATURE	EFF CODE	QTY PER ASSY
09-368	315T3602-13		1234567 ..ACTUATOR AND TUBING- INSTL (FOR DETAILS SEE FIG. 2)	E,G, L-P, S-U,A A,AE, AG,AJ AL,AN ,AQ,A S,AU, AW,AY ,BA BC,B E-BG, BL-BN ,BT,B V-CB CP,C R-CX, DJ,DL ,DN,D Q,DS DU,DW ,DY, EA,EC ,EN,E Q FA-FC ,FE,F J,FL, FN,FQ ,FS FU,FW ,FY, GA,GC ,GE,G G,GJ GL,GN ,GQ,G S,GT,	1

78-31-14

ILLUSTRATED PARTS LIST
 01.1 Page 1066Y
 Jul 01/04

FIG. & ITEM	PART NO.	AIRLINE PART NUMBER	NOMENCLATURE 1234567	EFF CODE	QTY PER ASSY
09-				GW,GY ,HA HC,HG ,HH,H K,HL, HS,HT ,HV HW,J D-JG, JM-JQ ,JV,J W,JY KA,KD ,KE, KG,KJ	

78-31-14

015T0438
 315T3001
 315T4726
 315T3055

 **BOEING**
 COMPONENT
 MAINTENANCE MANUAL

FIG. & ITEM	PART NO.	AIRLINE PART NUMBER	NOMENCLATURE	EFF CODE	QTY PER ASSY
09-371	315T3602-14		1234567 ..ACTUATOR AND TUBING- INSTL (FOR DETAILS SEE FIG. 2)	F,H,Q ,R, V-Z,A B-AD, AF,AH AK,AM ,AP,A R,AT, AV,AX ,AZ BB,BD ,BH-B K,B P-BR, CD-CM CZ-DH ,DK,D M,DP, DR,DT ,DV DX,DZ ,EB, ED,EK ,EM,E P,ER EX,EZ ,FD,F F,FG, FH,FK ,FM FP,FR ,FT,F V,FX, FZ,GB ,GD GF,GH ,GK,G M,GP,	1

78-31-14

ILLUSTRATED PARTS LIST
 01.1 Page 1067
 Jul 01/04

FIG. & ITEM	PART NO.	AIRLINE PART NUMBER	NOMENCLATURE 1234567	EFF CODE	QTY PER ASSY
09-				GR, GU ,GV GX, GZ ,HB, HD, H M-HQ, HX-JC JH-JL ,JR-J U, KB, KC, K K-KM	

78-31-14

ILLUSTRATED PARTS LIST
 01.1 Page 1068
 Jul 01/04

015T0438
 315T3001
 315T4726
 315T3055

 **BOEING**
 COMPONENT
 MAINTENANCE MANUAL

FIG. & ITEM	PART NO.	AIRLINE PART NUMBER	NOMENCLATURE	EFF CODE	QTY PER ASSY
09-374	315T3208-1		1234567 ..LATCH INSTL-VEE GROOVE	E,G, L-P, S-U,A A,AE, AG,AJ AL,AN ,AQ,A S,AU, AW,AY ,BA BC,B E-BG, BL-BN ,BT,B V-CB CP,C R-CX, DJ,DL ,DN,D Q,DS DU,DW ,DY, EA,EC ,EN,E Q FA-FC ,FE,F J,FL, FN,FQ ,FS FU,FW ,FY, GA,GC ,GE,G G,GJ GL,GN ,GQ,G S,GT,	1

78-31-14

ILLUSTRATED PARTS LIST
 01.1 Page 1068A
 Jul 01/04

FIG. & ITEM	PART NO.	AIRLINE PART NUMBER	NOMENCLATURE 1234567	EFF CODE	QTY PER ASSY
09-				GW,GY ,HA HC,HG ,HH,H K,HL, HS,HT ,HV HW,J D-JG, JM-JQ ,JV,J W,JY KA,KD ,KE, KG,KJ	

78-31-14

ILLUSTRATED PARTS LIST
 01.1 Page 1068B
 Jul 01/04

015T0438
 315T3001
 315T4726
 315T3055

 **BOEING**
 COMPONENT
 MAINTENANCE MANUAL

FIG. & ITEM	PART NO.	AIRLINE PART NUMBER	NOMENCLATURE	EFF CODE	QTY PER ASSY
09-377	315T3208-2		1234567 ..LATCH INSTL-VEE GROOVE	F,H,Q ,R, V-Z,A B-AD, AF,AH AK,AM ,AP,A R,AT, AV,AX ,AZ BB,BD ,BH-B K,B P-BR, CD-CM CZ-DH ,DK,D M,DP, DR,DT ,DV DX,DZ ,EB, ED,EK ,EM,E P,ER EX,EZ ,FD,F F,FG, FH,FK ,FM FP,FR ,FT,F V,FX, FZ,GB ,GD GF,GH ,GK,G M,GP,	1

78-31-14

ILLUSTRATED PARTS LIST
 01.1 Page 1068C
 Jul 01/04

FIG. & ITEM	PART NO.	AIRLINE PART NUMBER	NOMENCLATURE 1234567	EFF CODE	QTY PER ASSY
09-				GR, GU ,GV GX, GZ ,HB, HD, H M-HQ, HX-JC JH-JL ,JR-J U, KB, KC, K K-KM	

78-31-14

015T0438
 315T3001
 315T4726
 315T3055

 **BOEING**
 COMPONENT
 MAINTENANCE MANUAL

FIG. & ITEM	PART NO.	AIRLINE PART NUMBER	NOMENCLATURE	EFF CODE	QTY PER ASSY
09-380	315T3208-5001		1234567 ...LATCH INSTL- (LIMITED)	E,G, L-P, S-U,A A,AE, AG,AJ AL,AN ,AQ,A S,AU, AW,AY ,BA BC,B E-BG, BL-BN ,BT,B V-CB CP,C R-CX, DJ,DL ,DN,D Q,DS DU,DW ,DY, EA,EC ,EN,E Q FA-FC ,FE,F J,FL, FN,FQ ,FS FU,FW ,FY, GA,GC ,GE,G G,GJ GL,GN ,GQ,G S,GT,	1

78-31-14

ILLUSTRATED PARTS LIST
 01.1 Page 1068E
 Jul 01/04

FIG. & ITEM	PART NO.	AIRLINE PART NUMBER	NOMENCLATURE 1234567	EFF CODE	QTY PER ASSY
09-				GW,GY ,HA HC,HG ,HH,H K,HL, HS,HT ,HV HW,J D-JG, JM-JQ ,JV,J W,JY KA,KD ,KE, KG,KJ	

78-31-14

015T0438
 315T3001
 315T4726
 315T3055

 **BOEING**
 COMPONENT
 MAINTENANCE MANUAL

FIG. & ITEM	PART NO.	AIRLINE PART NUMBER	NOMENCLATURE 1234567	EFF CODE	QTY PER ASSY
09- -380A	315T3208-5003		...LATCH INSTL- (LIMITED)	E,G, L-P, S-U,A A,AE, AG,AJ AL,AN ,AQ,A S,AU, AW,AY ,BA BC,B E-BG, BL-BN ,BT,B V-CB CP,C R-CX, DJ,DL ,DN,D Q,DS DU,DW ,DY, EA,EC ,EN,E Q FA-FC ,FE,F J,FL, FN,FQ ,FS FU,FW ,FY, GA,GC ,GE,G G,GJ GL,GN ,GQ,G S,GT,	1

78-31-14

ILLUSTRATED PARTS LIST
 01.1 Page 1068G
 Jul 01/04

FIG. & ITEM	PART NO.	AIRLINE PART NUMBER	NOMENCLATURE 1234567	EFF CODE	QTY PER ASSY
09-				GW,GY ,HA HC,HG ,HH,H K,HL, HS,HT ,HV HW,J D-JG, JM-JQ ,JV,J W,JY KA,KD ,KE, KG,KJ	

78-31-14

015T0438
 315T3001
 315T4726
 315T3055

 **BOEING**
 COMPONENT
 MAINTENANCE MANUAL

FIG. & ITEM	PART NO.	AIRLINE PART NUMBER	NOMENCLATURE 1234567	EFF CODE	QTY PER ASSY
09- -383	315T3208-5002		...LATCH INSTL- (LIMITED)	F,H,Q ,R, V-Z,A B-AD, AF,AH AK,AM ,AP,A R,AT, AV,AX ,AZ BB,BD ,BH-B K,B P-BR, CD-CM CZ-DH ,DK,D M,DP, DR,DT ,DV DX,DZ ,EB, ED,EK ,EM,E P,ER EX,EZ ,FD,F F,FG, FH,FK ,FM FP,FR ,FT,F V,FX, FZ,GB ,GD GF,GH ,GK,G M,GP,	1

78-31-14

ILLUSTRATED PARTS LIST
 01.1 Page 1068I
 Jul 01/04

FIG. & ITEM	PART NO.	AIRLINE PART NUMBER	NOMENCLATURE 1234567	EFF CODE	QTY PER ASSY
09-				GR,GU ,GV GX,GZ ,HB, HD,H M-HQ, HX-JC JH-JL ,JR-J U,KB, KC,K K-KM	

78-31-14

015T0438
 315T3001
 315T4726
 315T3055

 **BOEING**
 COMPONENT
 MAINTENANCE MANUAL

FIG. & ITEM	PART NO.	AIRLINE PART NUMBER	NOMENCLATURE	EFF CODE	QTY PER ASSY
09-383A	315T3208-5004		1234567 ...LATCH INSTL- (LIMITED)	F,H,Q ,R, V-Z,A B-AD, AF,AH AK,AM ,AP,A R,AT, AV,AX ,AZ BB,BD ,BH-B K,B P-BR, CD-CM CZ-DH ,DK,D M,DP, DR,DT ,DV DX,DZ ,EB, ED,EK ,EM,E P,ER EX,EZ ,FD,F F,FG, FH,FK ,FM FP,FR ,FT,F V,FX, FZ,GB ,GD GF,GH ,GK,G M,GP,	1

78-31-14

ILLUSTRATED PARTS LIST
 01.1 Page 1068K
 Jul 01/04

FIG. & ITEM	PART NO.	AIRLINE PART NUMBER	NOMENCLATURE	EFF CODE	QTY PER ASSY
09-			1234567		
386	NAS6703-3	BOLT	GR,GU ,GV GX,GZ ,HB, HD,H M-HQ, HX-JC JH-JL ,JR-J U,KB, KC,K K-KM E-H, L-BR, BT,B V-CB, CD-CM CP,CM R-CX, CZ-ED ,EK,E M-ER EX,E Z-HD, HG,HH ,HK-H Q,HS HT,H V-JW, JY,K A-KE, KG KJ-KM	11

78-31-14

 ILLUSTRATED PARTS LIST
 01.1 Page 1068L
 Jul 01/04

015T0438
 315T3001
 315T4726
 315T3055

 **BOEING**
 COMPONENT
 MAINTENANCE MANUAL

FIG. & ITEM	PART NO.	AIRLINE PART NUMBER	NOMENCLATURE 1234567	EFF CODE	QTY PER ASSY
09-389	AN960C10L	WASHER	E-H, L-BR, BT,B V-CB, CD-CM CP,CM R-CX, CZ-ED ,EK,E M-ER EX,E Z-HD, HG,HH ,HK-H Q,HS HT,H V-JW, JY,K A-KE, KG KJ-KM	11
392	315T3251-1	RETAINER-BAND	E-H, L-BR, BT,B V-CB, CD-CM CP,CM R-CX, CZ-ED ,EK,E M-ER EX,E Z-HD, HG,HH ,HK-H Q,HS HT,H V-JW, JY,K A-KE, KG KJ-KM	11

78-31-14

ILLUSTRATED PARTS LIST
 01.1 Page 1068M
 Jul 01/04

FIG. & ITEM	PART NO.	AIRLINE PART NUMBER	NOMENCLATURE	EFF CODE	QTY PER ASSY
09-395	315T3250-1		1234567 BAND ASSY-LATCH (USED ON ITEM 380)	E,G, L-P, S-U,A A,AE, AG,AJ AL,AN ,AQ,A S,AU, AW,AY ,BA BC,B E-BG, BL-BN ,BT,B V-CB CP,C R-CX, DJ,DL ,DN,D Q,DS DU,DW ,DY, EA,EC ,EN,E Q FA-FC ,FE,F J,FL, FN,FQ ,FS FU,FW ,FY, GA,GC ,GE,G G,GJ GL,GN ,GQ,G S,GT,	1

78-31-14

015T0438
 315T3001
 315T4726
 315T3055

 **BOEING**
 COMPONENT
 MAINTENANCE MANUAL

FIG. & ITEM	PART NO.	AIRLINE PART NUMBER	NOMENCLATURE 1234567	EFF CODE	QTY PER ASSY
09-				GW,GY ,HA HC,HG ,HH,H K,HL, HS,HT ,HV HW,J D-JG, JM-JQ ,JV,J W,JY KA,KD ,KE, KG,KJ	

78-31-14

ILLUSTRATED PARTS LIST
 01.1 Page 10680
 Jul 01/04

FIG. & ITEM	PART NO.	AIRLINE PART NUMBER	NOMENCLATURE	EFF CODE	QTY PER ASSY
09-395A	315T3250-5		1234567 BAND ASSY-LATCH (USED ON ITEM 380A)	E,G, L-P, S-U,A A,AE, AG,AJ AL,AN ,AQ,A S,AU, AW,AY ,BA BC,B E-BG, BL-BN ,BT,B V-CB CP,C R-CX, DJ,DL ,DN,D Q,DS DU,DW ,DY, EA,EC ,EN,E Q FA-FC ,FE,F J,FL, FN,FQ ,FS FU,FW ,FY, GA,GC ,GE,G G,GJ GL,GN ,GQ,G S,GT,	1

78-31-14

015T0438
 315T3001
 315T4726
 315T3055

 **BOEING**
 COMPONENT
 MAINTENANCE MANUAL

FIG. & ITEM	PART NO.	AIRLINE PART NUMBER	NOMENCLATURE 1234567	EFF CODE	QTY PER ASSY
09-				GW,GY ,HA HC,HG ,HH,H K,HL, HS,HT ,HV HW,J D-JG, JM-JQ ,JV,J W,JY KA,KD ,KE, KG,KJ	

78-31-14

ILLUSTRATED PARTS LIST
 01.1 Page 1068Q
 Jul 01/04

FIG. & ITEM	PART NO.	AIRLINE PART NUMBER	NOMENCLATURE	EFF CODE	QTY PER ASSY
09-398	315T3250-2		1234567 BAND ASSY-LATCH (USED ON ITEM 383)	F,H,Q ,R, V-Z,A B-AD, AF,AH AK,AM ,AP,A R,AT, AV,AX ,AZ BB,BD ,BH-B K,B P-BR, CD-CM CZ-DH ,DK,D M,DP, DR,DT ,DV DX,DZ ,EB, ED,EK ,EM,E P,ER EX,EZ ,FD,F F,FG, FH,FK ,FM FP,FR ,FT,F V,FX, FZ,GB ,GD GF,GH ,GK,G M,GP,	1

78-31-14

015T0438
 315T3001
 315T4726
 315T3055

 **BOEING**
 COMPONENT
 MAINTENANCE MANUAL

FIG. & ITEM	PART NO.	AIRLINE PART NUMBER	NOMENCLATURE 1234567	EFF CODE	QTY PER ASSY
09-				GR,GU ,GV GX,GZ ,HB, HD,H M-HQ, HX-JC JH-JL ,JR-J U,KB, KC,K K-KM	

78-31-14

ILLUSTRATED PARTS LIST
 01.1 Page 1068S
 Jul 01/04

FIG. & ITEM	PART NO.	AIRLINE PART NUMBER	NOMENCLATURE	EFF CODE	QTY PER ASSY
09-398A	315T3250-6		1234567 BAND ASSY-LATCH (USED ON ITEM 383A)	F,H,Q ,R, V-Z,A B-AD, AF,AH AK,AM ,AP,A R,AT, AV,AX ,AZ BB,BD ,BH-B K,B P-BR, CD-CM CZ-DH ,DK,D M,DP, DR,DT ,DV DX,DZ ,EB, ED,EK ,EM,E P,ER EX,EZ ,FD,F F,FG, FH,FK ,FM FP,FR ,FT,F V,FX, FZ,GB ,GD GF,GH ,GK,G M,GP,	1

78-31-14

 ILLUSTRATED PARTS LIST
 01.1 Page 1068T
 Jul 01/04

015T0438
 315T3001
 315T4726
 315T3055

 **BOEING**
 COMPONENT
 MAINTENANCE MANUAL

FIG. & ITEM	PART NO.	AIRLINE PART NUMBER	NOMENCLATURE	EFF CODE	QTY PER ASSY
09-			1234567		
401	HL441UC5-4	BOLT- (V97928) (SPEC BACB30FN5A4) (OPT HL441UC5-4 (V73197)) (OPT HL441UC5-4 (V92215)) (OPT HL41PY5-4 (V80539)) (OPT HL441N5-4 (V80539)) (OPT HL441UC5-4 (V80539)) (OPT 67068-5A4 (V56878)) (OPT HL441UC5-4 (V08524)) (OPT HL19-5A4 (V06725)) (OPT L839-5A4 (V06725)) (OPT HL441UC5-4 (V56878))	GR,GU ,GV GX,GZ ,HB, HD,H M-HQ, HX-JC JH-JL ,JR-J U,KB, KC,K K-KM E-H, L-BR, BT,B V-CB, CD-CM CP,CM R-CX, CZ-ED ,EK,E M-ER EX,E Z-HD, HG,HH ,HK-H Q,HS HT,H V-JW, JY,K A-KE, KG KJ-KM	6

78-31-14

ILLUSTRATED PARTS LIST
 01.1 Page 1068U
 Jul 01/04

FIG. & ITEM	PART NO.	AIRLINE PART NUMBER	NOMENCLATURE	EFF CODE	QTY PER ASSY
09-404	AN960-8L		1234567WASHER	E-H, L-BR, BT,B V-CB, CD-CM CP,CM R-CX, CZ-ED ,EK,E M-ER EX,E Z-HD, HG,HH ,HK-H Q,HS HT,H V-JW, JY,K A-KE, KG KJ-KM	6
407	HL70-5	COLLAR- (V5M902) (SPEC BACC30M5) (OPT HL70-5 (V73197)) (OPT HL70-5 (V92215)) (OPT 66014-5 (V56878)) (OPT HL70-5 (V56878))	E-H, L-BR, BT,B V-CB, CD-CM CP,CM R-CX, CZ-ED ,EK,E M-ER EX,E Z-HD, HG,HH ,HK-H Q,HS HT,H V-JW, JY,K A-KE, KG KJ-KM	6

78-31-14

ILLUSTRATED PARTS LIST
01.1 Page 1068V
Jul 01/04

015T0438
 315T3001
 315T4726
 315T3055

 **BOEING**
 COMPONENT
 MAINTENANCE MANUAL

FIG. & ITEM	PART NO.	AIRLINE PART NUMBER	NOMENCLATURE 1234567	EFF CODE	QTY PER ASSY
09-410	315T3252-1	FITTING- (USED ON ITEMS 380, 383)	E-H, L-BR, BT,B V-CB, CD-CM CP,CM R-CX, CZ-ED ,EK,E M-ER EX,E Z-HD, HG,HH ,HK-H Q,HS HT,H V-JW, JY,K A-KE, KG KJ-KM	1
-410A	315T3252-2	FITTING- (USED ON ITEMS 380A, 383A)	E-H, L-BR, BT,B V-CB, CD-CM CP,CM R-CX, CZ-ED ,EK,E M-ER EX,E Z-HD, HG,HH ,HK-H Q,HS HT,H V-JW, JY,K A-KE, KG KJ-KM	1

78-31-14

ILLUSTRATED PARTS LIST
 01.1 Page 1068W
 Jul 01/04

FIG. & ITEM	PART NO.	AIRLINE PART NUMBER	NOMENCLATURE	EFF CODE	QTY PER ASSY
09-413	NAS1200-6		1234567 RIVET	E-H, L-BR, BT,B V-CB, CD-CM CP,CM R-CX, CZ-ED ,EK,E M-ER EX,E Z-HD, HG,HH ,HK-H Q,HS HT,H V-JW, JY,K A-KE, KG KJ-KM	8

78-31-14

ILLUSTRATED PARTS LIST
 01.1 Page 1068X
 Jul 01/04

015T0438
 315T3001
 315T4726
 315T3055

 **BOEING**
 COMPONENT
 MAINTENANCE MANUAL

FIG. & ITEM	PART NO.	AIRLINE PART NUMBER	NOMENCLATURE	EFF CODE	QTY PER ASSY
09-416	H2626-35		1234567RECEIVER- (V83014) (SPEC S315T101-2)	E,G, L-P, S-U,A A,AE, AG,AJ AL,AN ,AQ,A S,AU, AW,AY ,BA BC,B E-BG, BL-BN ,BT,B V-CB CP,C R-CX, DJ,DL ,DN,D Q,DS DU,DW ,DY, EA,EC ,EN,E Q FA-FC ,FE,F J,FL, FN,FQ ,FS FU,FW ,FY, GA,GC ,GE,G G,GJ GL,GN ,GQ,G S,GT,	1

78-31-14

ILLUSTRATED PARTS LIST
 01.1 Page 1068Y
 Jul 01/04

FIG. & ITEM	PART NO.	AIRLINE PART NUMBER	NOMENCLATURE 1234567	EFF CODE	QTY PER ASSY
09-				GW,GY ,HA HC,HG ,HH,H K,HL, HS,HT ,HV HW,J D-JG, JM-JQ ,JV,J W,JY KA,KD ,KE, KG,KJ	

78-31-14

015T0438
 315T3001
 315T4726
 315T3055

 **BOEING**
 COMPONENT
 MAINTENANCE MANUAL

FIG. & ITEM	PART NO.	AIRLINE PART NUMBER	NOMENCLATURE 1234567	EFF CODE	QTY PER ASSY
09- -419 -419A	H2626-17 H2865-17		DELETEDRECEIVER- (V83014) (SPEC S315T101-4) (OPT H2865-19 (V83014))	F,H,Q ,R, V-Z,A B-AD, AF,AH AK,AM ,AP,A R,AT, AV,AX ,AZ BB,BD ,BH-B K,B P-BR, CD-CM CZ-DH ,DK,D M,DP, DR,DT ,DV DX,DZ ,EB, ED,EK ,EM,E P,ER EX,EZ ,FD,F F,FG, FH,FK ,FM FP,FR ,FT,F V,FX, FZ,GB ,GD GF,GH ,GK,G M,GP,	1

78-31-14

ILLUSTRATED PARTS LIST
 01.1 Page 1069
 Jul 01/04

FIG. & ITEM	PART NO.	AIRLINE PART NUMBER	NOMENCLATURE 1234567	EFF CODE	QTY PER ASSY
09-				GR,GU ,GV GX,GZ ,HB, HD,H M-HQ, HX-JC JH-JL ,JR-J U,KB, KC,K K-KM	

78-31-14

ILLUSTRATED PARTS LIST
 01.1 Page 1070
 Jul 01/04

015T0438
 315T3001
 315T4726
 315T3055

 **BOEING**
 COMPONENT
 MAINTENANCE MANUAL

FIG. & ITEM	PART NO.	AIRLINE PART NUMBER	NOMENCLATURE 1234567	EFF CODE	QTY PER ASSY
09- -419B	H2865-19	RECEIVER- (V83014) (SPEC S315T101-4) (OPT H2865-17 (V83014))	F,H,Q ,R, V-Z,A B-AD, AF,AH AK,AM ,AP,A R,AT, AV,AX ,AZ BB,BD ,BH-B K,B P-BR, CD-CM CZ-DH ,DK,D M,DP, DR,DT ,DV DX,DZ ,EB, ED,EK ,EM,E P,ER EX,EZ ,FD,F F,FG, FH,FK ,FM FP,FR ,FT,F V,FX, FZ,GB ,GD GF,GH ,GK,G M,GP,	1

78-31-14

ILLUSTRATED PARTS LIST
 01.1 Page 1070A
 Jul 01/04

FIG. & ITEM	PART NO.	AIRLINE PART NUMBER	NOMENCLATURE 1234567	EFF CODE	QTY PER ASSY
09-				GR, GU ,GV GX, GZ ,HB, HD, H M-HQ, HX-JC JH-JL ,JR-J U, KB, KC, K K-KM	

78-31-14

015T0438
 315T3001
 315T4726
 315T3055

 **BOEING**
 COMPONENT
 MAINTENANCE MANUAL

FIG. & ITEM	PART NO.	AIRLINE PART NUMBER	NOMENCLATURE	EFF CODE	QTY PER ASSY
09-422	315T3250-3		1234567BAND	E,G, L-P, S-U,A A,AE, AG,AJ AL,AN ,AQ,A S,AU, AW,AY ,BA BC,B E-BG, BL-BN ,BT,B V-CB CP,C R-CX, DJ,DL ,DN,D Q,DS DU,DW ,DY, EA,EC ,EN,E Q FA-FC ,FE,F J,FL, FN,FQ ,FS FU,FW ,FY, GA,GC ,GE,G G,GJ GL,GN ,GQ,G S,GT,	1

78-31-14

ILLUSTRATED PARTS LIST
 01.1 Page 1070C
 Jul 01/04

FIG. & ITEM	PART NO.	AIRLINE PART NUMBER	NOMENCLATURE 1234567	EFF CODE	QTY PER ASSY
09-				GW,GY ,HA HC,HG ,HH,H K,HL, HS,HT ,HV HW,J D-JG, JM-JQ ,JV,J W,JY KA,KD ,KE, KG,KJ	

78-31-14

ILLUSTRATED PARTS LIST
 01.1 Page 1070D
 Jul 01/04

015T0438
 315T3001
 315T4726
 315T3055

 **BOEING**
 COMPONENT
 MAINTENANCE MANUAL

FIG. & ITEM	PART NO.	AIRLINE PART NUMBER	NOMENCLATURE	EFF CODE	QTY PER ASSY
09-425	315T3250-4		1234567BAND	F,H,Q ,R, V-Z,A B-AD, AF,AH AK,AM ,AP,A R,AT, AV,AX ,AZ BB,BD ,BH-B K,B P-BR, CD-CM CZ-DH ,DK,D M,DP, DR,DT ,DV DX,DZ ,EB, ED,EK ,EM,E P,ER EX,EZ ,FD,F F,FG, FH,FK ,FM FP,FR ,FT,F V,FX, FZ,GB ,GD GF,GH ,GK,G M,GP,	1

78-31-14

ILLUSTRATED PARTS LIST
 01.1 Page 1070E
 Jul 01/04

FIG. & ITEM	PART NO.	AIRLINE PART NUMBER	NOMENCLATURE	EFF CODE	QTY PER ASSY
09-			1234567		
				GR, GU ,GV GX, GZ ,HB, HD, H M-HQ, HX-JC JH-JL ,JR-J U, KB, KC, K K-KM	
428	BACS12BP3AP9		DELETED		
431	315T3539-3		DELETED		
434	315T3539-1		DELETED		
437	315T3102-1		DELETED		
			ATTACHING PARTS		
440	HL13VAZ8-22		DELETED		
443	HL79-8		DELETED		
446	315T3517-1		DELETED		
449	315T3102-2		DELETED		
452	BACS40R13D52F		DELETED		
455	315T3001-13		.. SHIM		10
				E-H, L-BR, BT, B V-CB, CD-CM CP, CM R-CX, CZ-ED ,EK, E M-ER EX, E Z-HD, HG, HH ,HK-H Q, HS HT, H V-JW, JY, K A-KE, KG KJ-KM	

78-31-14

 ILLUSTRATED PARTS LIST
 01.1 Page 1070F
 Jul 01/04

015T0438
 315T3001
 315T4726
 315T3055

 **BOEING**
 COMPONENT
 MAINTENANCE MANUAL

FIG. & ITEM	PART NO.	AIRLINE PART NUMBER	NOMENCLATURE	EFF CODE	QTY PER ASSY
			1234567		
09-					
458	BACS12BP3AP9		DELETED		
461	315T3539-3		DELETED		
464	315T3539-1		DELETED		
467	315T3103-11		DELETED		
-470	315T3103-2		DELETED		
473	HL12VAZ8-25		DELETED		
476	HL12VAZ8-20		DELETED		
479	HL79-8		DELETED		
482	NAS6703-19		..BOLT	E-H, L-BR, BT,B V-CB, CD-CM CP,CM R-CX, CZ-ED ,EK,E M-ER EX,E Z-HD, HG,HH ,HK-H Q,HS HT,H V-JW, JY,K A-KE, KG KJ-KM	2

78-31-14

ILLUSTRATED PARTS LIST
 01.1 Page 1070G
 Jul 01/04

FIG. & ITEM	PART NO.	AIRLINE PART NUMBER	NOMENCLATURE	EFF CODE	QTY PER ASSY
09-485	NAS6703-20		..BOLT	E-H, L-BR, BT,B V-CB, CD-CM CP,CM R-CX, CZ-ED ,EK,E M-ER EX,E Z-HD, HG,HH ,HK-H Q,HS HT,H V-JW, JY,K A-KE, KG KJ-KM	2
488	AN960-10		..WASHER	E-H, L-BR, BT,B V-CB, CD-CM CP,CM R-CX, CZ-ED ,EK,E M-ER EX,E Z-HD, HG,HH ,HK-H Q,HS HT,H V-JW, JY,K A-KE, KG KJ-KM	4
			-----*		

78-31-14

 ILLUSTRATED PARTS LIST
 01.1 Page 1070H
 Jul 01/04

015T0438
 315T3001
 315T4726
 315T3055

 **BOEING**
 COMPONENT
 MAINTENANCE MANUAL

FIG. & ITEM	PART NO.	AIRLINE PART NUMBER	NOMENCLATURE	EFF CODE	QTY PER ASSY
09-491	315T3001-5		1234567 ..SHIM	F,H,Q ,R, V-Z,A B-AD, AF,AH AK,AM ,AP,A R,AT, AV,AX ,AZ BB,BD ,BH-B K,B P-BR, CD-CM CZ-DH ,DK,D M,DP, DR,DT ,DV DX,DZ ,EB, ED,EK ,EM,E P,ER EX,EZ ,FD,F F,FG, FH,FK ,FM FP,FR ,FT,F V,FX, FZ,GB ,GD GF,GH ,GK,G M,GP,	1

78-31-14

ILLUSTRATED PARTS LIST
 01.1 Page 1070I
 Jul 01/04

FIG. & ITEM	PART NO.	AIRLINE PART NUMBER	NOMENCLATURE 1234567	EFF CODE	QTY PER ASSY
09-				GR,GU ,GV GX,GZ ,HB, HD,H M-HQ, HX-JC JH-JL ,JR-J U,KB, KC,K K-KM	

78-31-14

ILLUSTRATED PARTS LIST
 01.1 Page 1070J
 Jul 01/04

015T0438
 315T3001
 315T4726
 315T3055

 **BOEING**
 COMPONENT
 MAINTENANCE MANUAL

FIG. & ITEM	PART NO.	AIRLINE PART NUMBER	NOMENCLATURE	EFF CODE	QTY PER ASSY
09-494	315T3001-12		1234567 ..SHIM	E,G, L-P, S-U,A A,AE, AG,AJ AL,AN ,AQ,A S,AU, AW,AY ,BA BC,B E-BG, BL-BN ,BT,B V-CB CP,C R-CX, DJ,DL ,DN,D Q,DS DU,DW ,DY, EA,EC ,EN,E Q FA-FC ,FE,F J,FL, FN,FQ ,FS FU,FW ,FY, GA,GC ,GE,G G,GJ GL,GN ,GQ,G S,GT,	1

78-31-14

ILLUSTRATED PARTS LIST
 01.1 Page 1070K
 Jul 01/04

FIG. & ITEM	PART NO.	AIRLINE PART NUMBER	NOMENCLATURE	EFF CODE	QTY PER ASSY
09-			1234567		
497	BRH10C3M		..NUT- (V52828) (SPEC BACN10JC3CM) (OPT T6C1032JM (V11815)) (OPT 97E02 (V80539)) (OPT 109LH9075-3W (V72962)) (OPT VN303D02 (V92215)) (OPT NS202101SE02 (V80539)) (OPT H01-3BAC (V15653))	GW,GY ,HA HC,HG ,HH,H K,HL, HS,HT ,HV HW,J D-JG, JM-JQ ,JV,J W,JY KA,KD ,KE, KG,KJ E-H, L-BR, BT,B V-CB, CD-CM CP,CM R-CX, CZ-ED ,EK,E M-ER EX,E Z-HD, HG,HH ,HK-H Q,HS HT,H V-JW, JY,K A-KE, KG KJ-KM	4

78-31-14

 ILLUSTRATED PARTS LIST
 01.1 Page 1070L
 Jul 01/04

015T0438
 315T3001
 315T4726
 315T3055

 **BOEING**
 COMPONENT
 MAINTENANCE MANUAL

FIG. & ITEM	PART NO.	AIRLINE PART NUMBER	NOMENCLATURE	EFF CODE	QTY PER ASSY
			1234567		
09-					
500	315T3517-1		DELETED		
503	315T3103-12		DELETED		
-506	315T3103-4		DELETED		
509	315T3500-21		DELETED		
-512	315T3500-22		DELETED		
515	BACR15BB3AD		DELETED		
518	MS27253-2		DELETED		
-550	315T3001-5091		.COLLECTOR-LIMITED PARTS	E,FA	RF
-550A	315T3001-5085		.COLLECTOR-LIMITED PARTS (REPLD BY ITEM 550B)	L,AN, BV,CB ,DJ,D W,EN, GA	RF
-550B	315T3001-5083		.COLLECTOR-LIMITED PARTS (REPLS ITEM 550A)	L,AN, BV,CB ,DJ,D W,EN, GA	RF
-550C	315T3001-5099		.COLLECTOR-LIMITED PARTS (REPLD BY ITEM 550D)	M,P,B W,CA, DN,EA ,FC,F S	RF
-550D	315T3001-5107		.COLLECTOR-LIMITED PARTS (REPLS ITEM 550C)	JD-JG M,P,B W,CA, DN,EA ,FC,F S JD-JG	RF

78-31-14

ILLUSTRATED PARTS LIST
 01.1 Page 1070M
 Jul 01/04

FIG. & ITEM	PART NO.	AIRLINE PART NUMBER	NOMENCLATURE 1234567	EFF CODE	QTY PER ASSY
09- -550E	315T3001-5115		.COLLECTOR-LIMITED PARTS	N,BZ, DS,FN ,HG,H K,JV, KA	RF
-550F	315T3001-5111		DELETED		
-550G	315T3001-5123		.COLLECTOR-LIMITED PARTS	AE,FJ	RF
-550H	315T3001-5127		.COLLECTOR-LIMITED PARTS	AJ,FW	RF
-550J	315T3001-5171		.COLLECTOR-LIMITED PARTS (REPLD BY ITEM 550R)	AS,GE	RF
-550K	315T3001-5183		DELETED		
-550L	315T3001-5175		DELETED		
-550M	315T3001-5187		.COLLECTOR-LIMITED PARTS (REPLS ITEM 550S)	AW,BA ,GJ,G N	RF
-550N	315T3001-5179		DELETED		
-550P	315T3001-5191		.COLLECTOR-LIMITED PARTS	BE,BT ,GS	RF
-550Q	315T3001-5203		.COLLECTOR-LIMITED PARTS (LIMITED)	BF,BG ,BX,B Y,GW, HA	RF
-550R	315T3001-5199		.COLLECTOR-LIMITED PARTS (REPLS ITEM 550J)	AS,GE	RF
-550S	315T3001-5207		.COLLECTOR-LIMITED PARTS (REPLD BY ITEM 550M)	AW,BA ,GJ,G N	RF
-550T	315T3001-5167		.COLLECTOR-LIMITED PARTS	HH,HL ,JW,J Y	RF

78-31-14

 ILLUSTRATED PARTS LIST
 01.1 Page 1070N
 Jul 01/04

015T0438
 315T3001
 315T4726
 315T3055

 **BOEING**
 COMPONENT
 MAINTENANCE MANUAL

FIG. & ITEM	PART NO.	AIRLINE PART NUMBER	NOMENCLATURE 1234567	EFF CODE	QTY PER ASSY
09- -553	315T3001-5094		.COLLECTOR-LIMITED PARTS	F,CD, EK,EX	RF
-553A	315T3001-5086		.COLLECTOR-LIMITED PARTS (REPLD BY ITEM 553B)	Q,AP, CE,CM ,DK,D X,EP, GB	RF
-553B	315T3001-5084		.COLLECTOR-LIMITED PARTS (REPLS ITEM 553A)	Q,AP, CE,CM ,DK,D X,EP, GB	RF
-553C	315T3001-5100		.COLLECTOR-LIMITED PARTS (REPLD BY ITEM 553D)	R,Y,C F,CL, DP,EB ,FD,F T	RF
-553D	315T3001-5108		.COLLECTOR-LIMITED PARTS (REPLS ITEM 553C)	JH-JL R,Y,C F,CL, DP,EB ,FD,F T	RF
-553E	315T3001-5116		.COLLECTOR-LIMITED PARTS	JH-JL X,CK, DT,FP ,HM,H P,JB, JC	RF
-553F	315T3001-5112		DELETED		
-553G	315T3001-5092		.COLLECTOR-LIMITED PARTS	Z,FG	RF
-553H	315T3001-5124		.COLLECTOR-LIMITED PARTS	AF,FK	RF
-553J	315T3001-5128		.COLLECTOR-LIMITED PARTS	AK,FX	RF

78-31-14

ILLUSTRATED PARTS LIST
 01.1 Page 10700
 Jul 01/04

FIG. & ITEM	PART NO.	AIRLINE PART NUMBER	NOMENCLATURE 1234567	EFF CODE	QTY PER ASSY
09-					
-553K	315T3001-5172		.COLLECTOR-LIMITED PARTS (REPLD BY ITEM 553S)	AT,GF	RF
-553L	315T3001-5184		DELETED		
-553M	315T3001-5176		DELETED		
-553N	315T3001-5188		.COLLECTOR-LIMITED PARTS (REPLS ITEM 553T)	AX,BB ,GK,G P	RF
-553P	315T3001-5180		DELETED		
-553Q	315T3001-5192		.COLLECTOR-LIMITED PARTS	BH,CP ,GT	RF
-553R	315T3001-5204		.COLLECTOR-LIMITED PARTS (LIMITED)	BJ,BK ,CH,C J,GX, HB	RF
-553S	315T3001-5200		.COLLECTOR-LIMITED PARTS (REPLS ITEM 553K)	AT,GF	RF
-553T	315T3001-5208		.COLLECTOR-LIMITED PARTS (REPLD BY ITEM 553N)	AX,BB ,GK,G P	RF
-553U	315T3001-5168		.COLLECTOR-LIMITED PARTS	HN,HQ ,KB, KC	RF
-556	315T3001-5095		.COLLECTOR-LIMITED PARTS	G,FB	RF
-556A	315T3001-5089		.COLLECTOR-LIMITED PARTS (REPLD BY ITEM 556B)	S,AQ, CR,CX ,DL,D Y,EQ, GC	RF
-556B	315T3001-5087		.COLLECTOR-LIMITED PARTS (REPLS ITEM 556A)	S,AQ, CR,CX ,DL,D Y,EQ, GC	RF
-556C	315T3001-5103		.COLLECTOR-LIMITED PARTS (REPLD BY ITEM 556D)	T,AA, CS,CW ,DQ, EC,FE ,FU JM-JQ	RF
-556D	315T3001-5109		.COLLECTOR-LIMITED PARTS (REPLS ITEM 556C)	T,AA, CS,CW ,DQ, EC,FE ,FU JM-JQ	RF

78-31-14

 ILLUSTRATED PARTS LIST
 01.1 Page 1070P
 Jul 01/04

015T0438
 315T3001
 315T4726
 315T3055

 **BOEING**
 COMPONENT
 MAINTENANCE MANUAL

FIG. & ITEM	PART NO.	AIRLINE PART NUMBER	NOMENCLATURE 1234567	EFF CODE	QTY PER ASSY
09- -556E	315T3001-5119		.COLLECTOR-LIMITED PARTS	U,CV, DU,FQ ,HS,H V,KD, KJ	RF
-556F	315T3001-5113		DELETED		
-556G	315T3001-5125		.COLLECTOR-LIMITED PARTS	AG,FL	RF
-556H	315T3001-5129		.COLLECTOR-LIMITED PARTS	AL,FY	RF
-556J	315T3001-5173		.COLLECTOR-LIMITED PARTS (REPLD BY ITEM 556P)	AU,GG	RF
-556K	315T3001-5185		DELETED		
-556L	315T3001-5177		DELETED		
-556M	315T3001-5189		.COLLECTOR-LIMITED PARTS (REPLS ITEM 556S)	AY,BC ,GL,G Q	RF
-556N	315T3001-5181		DELETED		
-556P	315T3001-5193		.COLLECTOR-LIMITED PARTS	BL,CG ,GU	RF
-556Q	315T3001-5205		.COLLECTOR-LIMITED PARTS (LIMITED)	BM,BN ,CT,C U,GY, HC	RF
-556R	315T3001-5201		.COLLECTOR-LIMITED PARTS (REPLS ITEM 556J)	AU,GG	RF
-556S	315T3001-5209		.COLLECTOR-LIMITED PARTS (REPLD BY ITEM 556M)	AY,BC ,GL,G Q	RF
-556T	315T3001-5169		.COLLECTOR-LIMITED PARTS	HT,HW ,KE, KG	RF

78-31-14

ILLUSTRATED PARTS LIST
 01.1 Page 1070Q
 Jul 01/04

FIG. & ITEM	PART NO.	AIRLINE PART NUMBER	NOMENCLATURE 1234567	EFF CODE	QTY PER ASSY
09- -559	315T3001-5098		.COLLECTOR-LIMITED PARTS	H,CZ, EM,EZ	RF
-559A	315T3001-5090		.COLLECTOR-LIMITED PARTS (REPLD BY ITEM 559B)	V,AR, DA,DH ,DM,D Z,ER, GD	RF
-559B	315T3001-5088		.COLLECTOR-LIMITED PARTS (REPLS ITEM 559A)	V,AR, DA,DH ,DM,D Z,ER, GD	RF
-559C	315T3001-5104		.COLLECTOR-LIMITED PARTS (REPLD BY ITEM 559D)	W,AC, DB,DG ,DR, ED,FF ,FV JR-JU	RF
-559D	315T3001-5110		.COLLECTOR-LIMITED PARTS (REPLS ITEM 559C)	W,AC, DB,DG ,DR, ED,FF ,FV JR-JU	RF
-559E	315T3001-5120		.COLLECTOR-LIMITED PARTS	AB,DF ,DV,F R,HX, HZ,KN ,KN	RF

78-31-14

 ILLUSTRATED PARTS LIST
 01.1 Page 1070R
 Jul 01/04

015T0438
 315T3001
 315T4726
 315T3055

 **BOEING**
 COMPONENT
 MAINTENANCE MANUAL

FIG. & ITEM	PART NO.	AIRLINE PART NUMBER	NOMENCLATURE 1234567	EFF CODE	QTY PER ASSY
09-					
-559F	315T3001-5114		DELETED		
-559G	315T3001-5096		.COLLECTOR-LIMITED PARTS	AD, FH	RF
-559H	315T3001-5126		.COLLECTOR-LIMITED PARTS	AH, FM	RF
-559J	315T3001-5130		.COLLECTOR-LIMITED PARTS	AM, FZ	RF
-559K	315T3001-5174		.COLLECTOR-LIMITED PARTS (REPLD BY ITEM 559S) 559S)	AV, GH	RF
-559L	315T3001-5186		DELETED		
-559M	315T3001-5178		DELETED		
-559N	315T3001-5190		.COLLECTOR-LIMITED PARTS (REPLS ITEM 559T)	AZ, BD , GM, G R	RF
-559P	315T3001-5182		DELETED		
-559Q	315T3001-5194		.COLLECTOR-LIMITED PARTS	BP, DC , GV	RF
-559R	315T3001-5206		.COLLECTOR-LIMITED PARTS (LIMITED)	BQ, BR , DD, D E, GZ, HD	RF
-559S	315T3001-5202		.COLLECTOR-LIMITED PARTS (REPLS ITEM 559K)	AV, GH	RF
-559T	315T3001-5210		.COLLECTOR-LIMITED PARTS (REPLD BY ITEM 559N)	AZ, BD , GM, G R	RF
-559U	315T3001-5170		.COLLECTOR-LIMITED PARTS	HY, JA , KL, K M	RF
R 560	315T3055-11		..BOX ASSY-SWITCH (POST SB 767-78-0043) (FOR DETAILS SEE FIG. 10)	M, P, T , AA	1

78-31-14

ILLUSTRATED PARTS LIST
 01.1 Page 1070S
 Jul 01/04

FIG. & ITEM	PART NO.	AIRLINE PART NUMBER	NOMENCLATURE	EFF CODE	QTY PER ASSY
R 09-561	315T3055-12		1234567 ..BOX ASSY-SWITCH (POST SB 767-78-0043) (FOR DETAILS SEE FIG. 10)	R,W,Y ,AC	1
-562	315T3655-5		..SWITCH INSTL-ACTR	L,N,S ,U,AN ,AQ,B V,BZ, CB,CR CV,CX ,DJ,D L,DS, DU,DW ,DY EN,EQ ,FN,F Q,GA, GC,HG ,HH HK,HL ,HS,H T,HV, HW,JV ,JW JY,KA ,KD, KE,KG ,KJ	1

78-31-14

ILLUSTRATED PARTS LIST
 01.1 Page 1070T
 Jul 01/04

015T0438
 315T3001
 315T4726
 315T3055

 **BOEING**
 COMPONENT
 MAINTENANCE MANUAL

FIG. & ITEM	PART NO.	AIRLINE PART NUMBER	NOMENCLATURE	EFF CODE	QTY PER ASSY
09- -562A	315T3655-7		1234567 ..SWITCH INSTL-OVERRIDE ACTR (VARIABLE)	E,G,A E,AG, AS,AU ,BE-B G BL-BN ,BT,B X,BY, CG,CT ,CU FA,FB ,FJ,F L,GE, GG,GS ,GU GW,GY ,HA, HC	1
-565	315T3655-2		..SWITCH INSTL-ACTR	F,H,Q ,V,X, AB,AP ,AR,C D,CE CK,CM ,CZ, DA,DF ,DH,D K,DM DT,DV ,DX,D Z,EK, EM,EP ,ER EX,EZ ,FP,F R,GB, GD,H M-HQ HX-JC ,KB, KC,K K-KM	1

78-31-14

ILLUSTRATED PARTS LIST
 01.1 Page 1070U
 Jul 01/04

FIG. & ITEM	PART NO.	AIRLINE PART NUMBER	NOMENCLATURE	EFF CODE	QTY PER ASSY
09-565A	315T3655-8		1234567 ..SWITCH INSTL-OVERRIDE ACTR (VARIABLE)	Z,AD, AF,AH ,AT,A V,B H-BK BP-BR ,CH,C J,CP, DC-DE ,FG FH,FK ,FM, GF,GH ,GT,G V,GX GZ,HB ,HD	1

78-31-14

015T0438
 315T3001
 315T4726
 315T3055

 **BOEING**
 COMPONENT
 MAINTENANCE MANUAL

FIG. & ITEM	PART NO.	AIRLINE PART NUMBER	NOMENCLATURE	EFF CODE	QTY PER ASSY
09-568	MS25224-3		1234567 ... GUARD	E-H, L , N, Q, S, U, V , X, Z, AB AD-AH , AN-A V, B E-BJ, BL-BQ BT, BQ V-BZ, CB, CD , CE, C G, CH CK, CM , CP, C R, C T-CV, CX, CZ DA, DC , DD, D F, DH, DJ-DM DS-DZ , EK, E M-ER, EX, E Z-FB FG-FR , GA-G H, G S-GW, GY HA-HD , HG, H H, H K-HQ, HS, HT HV-JC , JV, J W, JY, KA-KE , KG KJ-KM	2

78-31-14

ILLUSTRATED PARTS LIST
 01.1 Page 1070W
 Jul 01/04

FIG. & ITEM	PART NO.	AIRLINE PART NUMBER	NOMENCLATURE	EFF CODE	QTY PER ASSY
09- 571 574	MS25224-3 315T3656-17		DELETED ...COVER- (OPT ITEM 580)	L,N,S ,U,AN ,AQ,B ,V,BZ, CB,CR CV,CX ,DJ,D L,DS, DU,DW ,DY EN,EQ ,FN,F Q,GA, GC,HG ,HH HK,HL ,HS,H T,HV, HW,JV ,JW JY,KA ,KD, KE,KG ,KJ E,G,A E,AG, AS,AU ,BE-B G BL-BN ,BT,B X,BY, CG,CT ,CU FA,FB ,FJ,F L,GE, GG,GS ,GU GW,GY ,HA, HC	1
-574A	315T3656-17		...COVER		1

78-31-14

 ILLUSTRATED PARTS LIST
 01.1 Page 1070X
 Jul 01/04

015T0438
 315T3001
 315T4726
 315T3055

 **BOEING**
 COMPONENT
 MAINTENANCE MANUAL

FIG. & ITEM	PART NO.	AIRLINE PART NUMBER	NOMENCLATURE	EFF CODE	QTY PER ASSY
09-577	315T3656-10		1234567 ...COVER	F,H,Q ,V,X, Z,AB, AD,AF ,AH AP,AR ,AT,A V,B H-BK, BP-BR CD,CE ,CH-C K,CM, CP,CZ ,DA DC-DF ,DH,D K,DM, DT,DV ,DX DZ,EK ,EM,E P,ER, EX,EZ ,FG FH,FK ,FM,F P,FR, GB,GD ,GF GH,GT ,GV,G X,GZ, HB,HD HM-HQ ,HX- JC,KB ,KC,K K-KM	1

78-31-14

ILLUSTRATED PARTS LIST
 01.1 Page 1070Y
 Jul 01/04

FIG. & ITEM	PART NO.	AIRLINE PART NUMBER	NOMENCLATURE	EFF CODE	QTY PER ASSY
09-580	315T3656-19		1234567 ...COVER ASSY- (OPT ITEM 574)	L,N,S ,U,AN ,AQ,B ,V,BZ, CB,CR CV,CX ,DJ,D L,DS, DU,DW ,DY EN,EQ ,FN,F Q,GA, GC,HG ,HH HK,HL ,HS,H T,HV, HW,JV ,JW JY,KA ,KD, KE,KG ,KJ	1

78-31-14

ILLUSTRATED PARTS LIST
 01.1 Page 1070Z
 Jul 01/04

015T0438
 315T3001
 315T4726
 315T3055

 **BOEING**
 COMPONENT
 MAINTENANCE MANUAL

FIG. & ITEM	PART NO.	AIRLINE PART NUMBER	NOMENCLATURE	EFF CODE	QTY PER ASSY
09- 583	AN525-10R6		1234567 ATTACHING PARTS ...SCREW	E-H,L ,N,Q, S,U,V ,X,Z, AB AD-AH ,AN-A V,B E-BR, BT,BV BX-BZ ,CB,C D,CE, CG-CK ,CM CP,CR ,CT-C V,CX, CZ,DA DC-DF ,DH-D M,D S-DZ, EK EM-ER ,EX,E Z-FB, FG-FR GA-GH ,GS- HD,HG ,HH,H K-HQ HS,HT ,HV- JC,JV ,JW,J Y KA-KE ,KG, KJ-KM	4
			-----*		

78-31-14

ILLUSTRATED PARTS LIST
 01.1 Page 1071
 Jul 01/04

FIG. & ITEM	PART NO.	AIRLINE PART NUMBER	NOMENCLATURE	EFF CODE	QTY PER ASSY
09-586	315T3656-18		1234567COVER	L,N,S ,U,AN ,AQ,B ,V,BZ, CB,CR CV,CX ,DJ,D L,DS, DU,DW ,DY EN,EQ ,FN,F Q,GA, GC,HG ,HH HK,HL ,HS,H T,HV, HW	1
589	315T3656-9	COVER	L,N,S ,U,AN ,AQ,B ,V,BZ, CB,CR CV,CX ,DJ,D L,DS, DU,DW ,DY EN,EQ ,FN,F Q,GA, GC,HG ,HH HK,HL ,HS,H T,HV, HW,JV ,JW JY,KA ,KD, KE,KG ,KJ	1

78-31-14

 ILLUSTRATED PARTS LIST
 01.1 Page 1072
 Jul 01/04

015T0438
 315T3001
 315T4726
 315T3055

 **BOEING**
 COMPONENT
 MAINTENANCE MANUAL

FIG. & ITEM	PART NO.	AIRLINE PART NUMBER	NOMENCLATURE	EFF CODE	QTY PER ASSY
09-592	NAS1801-04-5		1234567 ...SCREW	E-H,L ,N,Q, S,U,V ,X,Z, AB AD-AH ,AN-A V,B E-BR, BT,BV BX-BZ ,CB,C D,CE, CG-CK ,CM CP,CR ,CT-C V,CX, CZ,DA DC-DF ,DH-D M,D S-DZ, EK EM-ER ,EX,E Z-FB, FG-FR GA-GH ,GS- HD,HG ,HH,H K-HQ HS,HT ,HV- JC,JV ,JW,J Y KA-KE ,KG, KJ-KM	4

78-31-14

ILLUSTRATED PARTS LIST
 01.1 Page 1072A
 Jul 01/04

FIG. & ITEM	PART NO.	AIRLINE PART NUMBER	NOMENCLATURE	EFF CODE	QTY PER ASSY
09-595	AN960XC4L		1234567 ...WASHER	E-H,L ,N,Q, S,U,V ,X,Z, AB AD-AH ,AN-A V,B E-BR, BT,BV BX-BZ ,CB,C D,CE, CG-CK ,CM CP,CR ,CT-C V,CX, CZ,DA DC-DF ,DH-D M,D S-DZ, EK EM-ER ,EX,E Z-FB, FG-FR GA-GH ,GS- HD,HG ,HH,H K-HQ HS,HT ,HV- JC,JV ,JW,J Y KA-KE ,KG, KJ-KM	4

78-31-14

 ILLUSTRATED PARTS LIST
 01.1 Page 1072B
 Jul 01/04

015T0438
 315T3001
 315T4726
 315T3055

 **BOEING**
 COMPONENT
 MAINTENANCE MANUAL

FIG. & ITEM	PART NO.	AIRLINE PART NUMBER	NOMENCLATURE 1234567	EFF CODE	QTY PER ASSY
09-598	132003		...NUT- (V60119) (SPEC BACN10XP1) (OPT 132003 (V76530))	E-H,L ,N,Q, S,U,V ,X,Z, AB AD-AH ,AN-A V,B E-BR, BT,BV BX-BZ ,CB,C D,CE, CG-CK ,CM CP,CR ,CT-C V,CX, CZ,DA DC-DF ,DH-D M,D S-DZ, EK EM-ER ,EX,E Z-FB, FG-FR GA-GH ,GS- HD,HG ,HH,H K-HQ HS,HT ,HV- JC,JV ,JW,J Y KA-KE ,KG, KJ-KM	4

78-31-14

ILLUSTRATED PARTS LIST
 01.1 Page 1072C
 Jul 01/04

FIG. & ITEM	PART NO.	AIRLINE PART NUMBER	NOMENCLATURE	EFF CODE	QTY PER ASSY
09-601	R071914-7P		1234567 ...CONNECTOR- (V41118) (SPEC BACC45FM14-7P) (OPT C48-00R14-7P102 (V13556)) (OPT ZZYAC1714-7P (V49367)) (OPT 48-00R14-7P300 (V02660))	E-H,L ,N,Q, S,U,V ,X,Z, AB AD-AH ,AN-A V,B E-BR, BT,BV BX-BZ ,CB,C D,CE, CG-CK ,CM CP,CR ,CT-C V,CX, CZ,DA DC-DF ,DH-D M,D S-DZ, EK EM-ER ,EX,E Z-FB, FG-FR GA-GH ,GS- HD,HG ,HH,H K-HQ HS,HT ,HV- JC,JV ,JW,J Y KA-KE ,KG, KJ-KM	1

78-31-14

 ILLUSTRATED PARTS LIST
 01.1 Page 1072D
 Jul 01/04

015T0438
 315T3001
 315T4726
 315T3055

 **BOEING**
 COMPONENT
 MAINTENANCE MANUAL

FIG. & ITEM	PART NO.	AIRLINE PART NUMBER	NOMENCLATURE	EFF CODE	QTY PER ASSY
09- 604 607	65407 65407		1234567 DELETED ...SWITCH- (V02005)	E-H,L ,N,Q, S,U,V ,X,Z, AB AD-AH ,AN-A V,B E-BR, BT,BV BX-BZ ,CB,C D,CE, CG-CK ,CM CP,CR ,CT-C V,CX, CZ,DA DC-DF ,DH-D M,D S-DZ, EK EM-ER ,EX,E Z-FB, FG-FR GA-GH ,GS- HD,HG ,HH,H K-HQ HS,HT ,HV- JC,JV ,JW,J Y KA-KE ,KG, KJ-KM	1

78-31-14

ILLUSTRATED PARTS LIST
 01.1 Page 1072E
 Jul 01/04

FIG. & ITEM	PART NO.	AIRLINE PART NUMBER	NOMENCLATURE	EFF CODE	QTY PER ASSY
09-610	65408		1234567 ...SWITCH- (V02005)	E-H,L ,N,Q, S,U,V ,X,Z, AB AD-AH ,AN-A V,B E-BR, BT,BV BX-BZ ,CB,C D,CE, CG-CK ,CM CP,CR ,CT-C V,CX, CZ,DA DC-DF ,DH-D M,D S-DZ, EK EM-ER ,EX,E Z-FB, FG-FR GA-GH ,GS- HD,HG ,HH,H K-HQ HS,HT ,HV- JC,JV ,JW,J Y KA-KE ,KG, KJ-KM	1

78-31-14

ILLUSTRATED PARTS LIST
 01.1 Page 1072F
 Jul 01/04

015T0438
 315T3001
 315T4726
 315T3055

 **BOEING**
 COMPONENT
 MAINTENANCE MANUAL

FIG. & ITEM	PART NO.	AIRLINE PART NUMBER	NOMENCLATURE 1234567	EFF CODE	QTY PER ASSY
09-611	315T3656-20		...BOX ASSY-JCT	E,G,A E,AG, AS,AU ,BE-B G BL-BN ,BT,B X,BY, CG,CT ,CU FA,FB ,FJ,F L,GE, GG,GS ,GU GW,GY ,HA, HC	1
-612	315T3656-21		...BOX ASSY-JCT	Z,AD, AF,AH ,AT,A V,B H-BK BP-BR ,CH,C J,CP, DC-DE ,FG FH,FK ,FM, GF,GH ,GT,G V,GX GZ,HB ,HD	1

78-31-14

ILLUSTRATED PARTS LIST
 01.1 Page 1072G
 Jul 01/04

FIG. & ITEM	PART NO.	AIRLINE PART NUMBER	NOMENCLATURE	EFF CODE	QTY PER ASSY
			1234567		
09-613	BAC27TTR0001		DELETED		
			ATTACHING PARTS		
613A	BACB30LK3-2		...BOLT	E,G,Z ,AD-A H,A S-AV, BE-BR BT,BX ,BY,C G-CJ, CP,CT ,CU DC-DE ,FA, FB,F G-FM, GE-GH GS-HD	4
613G	AN960KD10L		...WASHER	E,G,Z ,AD-A H,A S-AV, BE-BR BT,BX ,BY,C G-CJ, CP,CT ,CU DC-DE ,FA, FB,F G-FM, GE-GH GS-HD	4
			-----*		

78-31-14

 ILLUSTRATED PARTS LIST
 01.1 Page 1072H
 Jul 01/04

015T0438
 315T3001
 315T4726
 315T3055

 **BOEING**
 COMPONENT
 MAINTENANCE MANUAL

FIG. & ITEM	PART NO.	AIRLINE PART NUMBER	NOMENCLATURE	EFF CODE	QTY PER ASSY
09-614	BACR15BB3AD		1234567RIVET- (SIZE DETERMINE ON INST)	E,G,Z ,AD-A H,A S-AV, BE-BR BT,BX ,BY,C G-CJ, CP,CT ,CU DC-DE ,FA, FB,F G-FM, GE-GH GS-HD	8
614G	MF6000-3	NUTPLATE- (V15653) (SPEC BACN10KJ3)	E,G,Z ,AD-A H,A S-AV, BE-BR BT,BX ,BY,C G-CJ, CP,CT ,CU DC-DE ,FA, FB,F G-FM, GE-GH GS-HD	4

78-31-14

ILLUSTRATED PARTS LIST
 01.1 Page 1072I
 Jul 01/04

FIG. & ITEM	PART NO.	AIRLINE PART NUMBER	NOMENCLATURE	EFF CODE	QTY PER ASSY
09-614P	315T3245-1		1234567RETAINER ASSY- DEACTIVATION PIN	E,G,Z ,AD-A H,A S-AV, BE-BR BT,BX ,BY,C G-CJ, CP,CT ,CU DC-DE ,FA, FB,F G-FM, GE-GH GS-HD	1
615	MS21209F8-10	INSERT	E,G,Z ,AD-A H,A S-AV, BE-BR BT,BX ,BY,C G-CJ, CP,CT ,CU DC-DE ,FA, FB,F G-FM, GE-GH GS-HD	1

78-31-14

ILLUSTRATED PARTS LIST
 01.1 Page 1072J
 Jul 01/04

015T0438
 315T3001
 315T4726
 315T3055

 **BOEING**
 COMPONENT
 MAINTENANCE MANUAL

FIG. & ITEM	PART NO.	AIRLINE PART NUMBER	NOMENCLATURE 1234567	EFF CODE	QTY PER ASSY
09-615G	315T3245-2	RETAINER	E,G,Z ,AD-A H,A S-AV, BE-BR BT,BX ,BY,C G-CJ, CP,CT ,CU DC-DE ,FA, FB,F G-FM, GE-GH GS-HD	1
-616 616B	BAC27TTR0002 BACR15BB4AD		DELETEDRIVET- (SIZE DETERMINE ON INST)	E,G,Z ,AD-A H,A S-AV, BE-BR BT,BX ,BY,C G-CJ, CP,CT ,CU DC-DE ,FA, FB,F G-FM, GE-GH GS-HD	4

78-31-14

ILLUSTRATED PARTS LIST
 01.1 Page 1072K
 Jul 01/04

FIG. & ITEM	PART NO.	AIRLINE PART NUMBER	NOMENCLATURE	EFF CODE	QTY PER ASSY
09-617	315T3658-10	ANGLE	E,G,A E,AG, AS,AU ,BE-B G BL-BN ,BT,B X,BY, CG,CT ,CU FA,FB ,FJ,F L,GE, GG,GS ,GU GW,GY ,HA, HC	1
618	315T3658-1	ANGLE	Z,AD, AF,AH ,AT,A V,B H-BK BP-BR ,CH,C J,CP, DC-DE ,FG FH,FK ,FM, GF,GH ,GT,G V,GX GZ,HB ,HD	1

78-31-14

 ILLUSTRATED PARTS LIST
 01.1 Page 1072L
 Jul 01/04

015T0438
 315T3001
 315T4726
 315T3055

 **BOEING**
 COMPONENT
 MAINTENANCE MANUAL

FIG. & ITEM	PART NO.	AIRLINE PART NUMBER	NOMENCLATURE	EFF CODE	QTY PER ASSY
			1234567		
09- 619 619A	BAC27TTR0003 315T3656-7		DELETEDBOX	E,G,A E,AG, AS,AU ,BE-B G BL-BN ,BT,B X,BY, CG,CT ,CU FA,FB ,FJ,F L,GE, GG,GS ,GU GW,GY ,HA, HC	1
-620	315T3656-8	BOX	Z,AD, AF,AH ,AT,A V,B H-BK BP-BR ,CH,C J,CP, DC-DE ,FG FH,FK ,FM, GF,GH ,GT,G V,GX GZ,HB ,HD	1

78-31-14

ILLUSTRATED PARTS LIST
 01.1 Page 1072M
 Jul 01/04

FIG. & ITEM	PART NO.	AIRLINE PART NUMBER	NOMENCLATURE	EFF CODE	QTY PER ASSY
09-621	BAC27TTR0001		1234567 ...MARKER-ALUMINUM FOIL-LH COWL	E,G,L ,N,S, U,AE, AG,AN ,AQ AS,AU ,BE-B G,B L-BN, BT,BV BX-BZ ,CB,C G,CR, CT,CV ,CX DJ,DL ,DS,D U,DW, DY,EN ,EQ FA,FB ,FJ,F L,FN, FQ,GA ,GC GE,GG ,GS,G U,GW, HA,HC ,HG HH,HK ,HL,H S,HT, HV,HW ,JV JW,JY ,KA, KD,KE ,KG, KJ	1

78-31-14

ILLUSTRATED PARTS LIST
 01.1 Page 1072N
 Jul 01/04

015T0438
 315T3001
 315T4726
 315T3055

 **BOEING**
 COMPONENT
 MAINTENANCE MANUAL

FIG. & ITEM	PART NO.	AIRLINE PART NUMBER	NOMENCLATURE	EFF CODE	QTY PER ASSY
09-622	BAC27TTR0004		1234567 ...MARKER-ALUMINUM FOIL-CLOSE	E-H,L ,N,Q, S,U,V ,X,Z, AB AD-AH ,AN-A V,B E-BR, BT BV,B X-BZ, CB,CD ,CE,C G-CK CM,CP ,CR,C T-CV, CX,CZ ,DA DC-DF ,DH-D M,D S-DZ, EK EM-ER ,EX,E Z-FB, FG-FR GA-GH ,GS- HD,HG ,HH,H K-HQ HS,HT ,HV- JC,JV ,JW,J Y KA-KE ,KG, KJ-KM	1

78-31-14

ILLUSTRATED PARTS LIST
 01.1 Page 10720
 Jul 01/04

FIG. & ITEM	PART NO.	AIRLINE PART NUMBER	NOMENCLATURE	EFF CODE	QTY PER ASSY
09- -623	BAC27TTR0002		1234567 ...MARKER-ALUMINUM FOIL- RH COWL	F,H,Q ,V,X, Z,AB, AD,AF ,AH AP-AR ,AT,A V,B H-BK, BP-BR CD,CE ,CH-C K,CM, CP,CZ ,DA DC,DD ,DF,D H,DK, DM,DT ,DV DX,DZ ,EK,E M,EP, ER,EX ,EZ FG,FH ,FK,F M,FP, FR,G B-GD GF,GH ,GT,G V,GX, HB,HD HM-HQ ,HX- JC,KB ,KC,K K-KM	1

78-31-14

ILLUSTRATED PARTS LIST
 01.1 Page 1072P
 Jul 01/04

015T0438
 315T3001
 315T4726
 315T3055

 **BOEING**
 COMPONENT
 MAINTENANCE MANUAL

FIG. & ITEM	PART NO.	AIRLINE PART NUMBER	NOMENCLATURE	EFF CODE	QTY PER ASSY
09-624	BAC27TTR0003		1234567 ...MARKER-ALUMINUM FOIL-OPEN	E-H,L ,N,Q, S,U,V ,X,Z, AB AD-AH ,AN-A V,B E-BR, BT,BV BX-BZ ,CB,C D,CE, CG-CK ,CM CP,CR ,CT-C V,CX, CZ,DA DC-DF ,DH-D M,D S-DZ, EK EM-ER ,EX,E Z-FB, FG-FR GA-GH ,GS- HD,HG ,HH,H K-HQ HS,HT ,HV- JC,JV ,JW,J Y KA-KE ,KG, KJ-KM	1

78-31-14

ILLUSTRATED PARTS LIST
 01.1 Page 1072Q
 Jul 01/04

FIG. & ITEM	PART NO.	AIRLINE PART NUMBER	NOMENCLATURE	EFF CODE	QTY PER ASSY
09-625	BAC27TTR0006		1234567 ...MARKER-ALUMINUM FOIL-PIN STORAGE	E,G,L ,N,S, U,AE, AG,AN ,AQ AS,AU ,BE-B G,B L-BN, BT,BV BX-BZ ,CB,C G,CR, CT,CV ,CX DJ,DL ,DS,D U,DW, DY,EN ,EQ FA,FB ,FJ,F L,FN, FQ,GA ,GC GE,GG ,GS,G U,GW, HA,HC ,HG HH,HK ,HL,H S,HT, HV,HW ,JV JW,JY ,KA, KD,KE ,KG, KJ	1

78-31-14

ILLUSTRATED PARTS LIST
 01.1 Page 1072R
 Jul 01/04

015T0438
 315T3001
 315T4726
 315T3055

 **BOEING**
 COMPONENT
 MAINTENANCE MANUAL

FIG. & ITEM	PART NO.	AIRLINE PART NUMBER	NOMENCLATURE	EFF CODE	QTY PER ASSY
09-628	BAC27TTR0006		1234567 ...MARKER-ALUMINUM FOIL-PIN STORAGE	F,H,Q ,V,X, Z,AB, AD,AF ,AH AP,AR ,AT,A V,B H-BK, BP-BR CD,CE ,CH-C K,CM, CP,CZ ,DA DC-DF ,DH,D K,DM, DT,DV ,DX DZ,EK ,EM,E P,ER, EX,EZ ,FG FH,FK ,FM,F P,FR, GB-GD ,GF GH,GT ,GV,G X,HB, HD,H M-HQ HX-JC ,KB, KC,K K-KM	1

78-31-14

ILLUSTRATED PARTS LIST
 01.1 Page 1072S
 Jul 01/04

FIG. & ITEM	PART NO.	AIRLINE PART NUMBER	NOMENCLATURE	EFF CODE	QTY PER ASSY
09-631	BAC27TTR0008		1234567 ...MARKER-ALUMINUM FOIL- M580	E,G,L ,N,S, U,AE, AG,AN ,AQ AS,AU ,BE-B G,B L-BN, BT,BV BX-BZ ,CB,C G,CR, CT,CV ,CX DJ,DL ,DS,D U,DW, DY,EN ,EQ FA,FB ,FJ,F L,FN, FQ,GA ,GC GE,GG ,GS,G U,GW, HA,HC ,HG HH,HK ,HL,H S,HT, HV,HW ,JV JW,JY ,KA, KD,KE ,KG, KJ	1

78-31-14

ILLUSTRATED PARTS LIST
 01.1 Page 1072T
 Jul 01/04

015T0438
 315T3001
 315T4726
 315T3055

 **BOEING**
 COMPONENT
 MAINTENANCE MANUAL

FIG. & ITEM	PART NO.	AIRLINE PART NUMBER	NOMENCLATURE	EFF CODE	QTY PER ASSY
09- -634	BAC27TTR0009		1234567 ...MARKER-ALUMINUM FOIL- M581	F,H,Q ,V,X, Z,AB, AD,AF ,AH AP,AR ,AT,A V,B H-BK, BP-BR CD,CE ,CH-C K,CM, CP,CZ ,DA DC-DF ,DH,D K,DM, DT,DV ,DX DZ,EK ,EM,E P,ER, EX,EZ ,FH FK,FM ,FP,F R,G B-GD, GF,GH GT,GV ,GX, HB,HD ,HM-H Q HX-JC ,KB, KC,K K-KM	1

78-31-14

ILLUSTRATED PARTS LIST
 01.1 Page 1072U
 Jul 01/04

FIG. & ITEM	PART NO.	AIRLINE PART NUMBER	NOMENCLATURE	EFF CODE	QTY PER ASSY
09-637	BAC27TTR0012		1234567 ...MARKER-ALUMINUM FOIL- M/WD164	E,G,L ,N,S, U,AE, AG,AN ,AQ AS,AU ,BE-B G,B L-BN, BT,BV BX-BZ ,CB,C G,CR, CT,CV ,CX DJ,DL ,DS,D U,DW, DY,EN ,EQ FA,FB ,FJ,F L,FN, FQ,GA ,GC GE,GG ,GS,G U,GW, HA,HC ,HG HH,HK ,HL,H S,HT, HV,HW ,JV JW,JY ,KA, KD,KE ,KG, KJ	1

78-31-14

ILLUSTRATED PARTS LIST
 01.1 Page 1072V
 Jul 01/04

015T0438
 315T3001
 315T4726
 315T3055

 **BOEING**
 COMPONENT
 MAINTENANCE MANUAL

FIG. & ITEM	PART NO.	AIRLINE PART NUMBER	NOMENCLATURE	EFF CODE	QTY PER ASSY
09- -640	BAC27TTR0013		1234567 ...MARKER-ALUMINUM FOIL- M/WD166	F,H,Q ,V,X, Z,AB, AD,AF ,AH AP,AR ,AT,A V,B H-BK, BP-BR CD,CE ,CH-C K,CM, CP,CZ ,DA DC-DF ,DH,D K,DM, DT,DV ,DX DZ,EK ,EM,E P,ER, EX,EZ ,FG FH,FK ,FM,F P,FR, GB-GD ,GF GH,GT ,GV,G X,HB, HD,H M-HQ HX-JC ,KB, KC,K K-KM	1

78-31-14

ILLUSTRATED PARTS LIST
 01.1 Page 1072W
 Jul 01/04

FIG. & ITEM	PART NO.	AIRLINE PART NUMBER	NOMENCLATURE 1234567	EFF CODE	QTY PER ASSY
09-643	315T3002-101		DELETED		
643A	315T3002-105		..COWL ASSY- (REF CMM 71-11-33)	N,BZ, DS, FN ,HG,H K,JV, KA	1
-643B	315T3002-67		..COWL ASSY- (REF CMM 71-11-32)	E,FA	1
-643C	315T3002-57		..COWL ASSY- (REF CMM 71-11-33)	L,AN, BV,CB ,DJ,D W,EN, GA	1
-643D	315T3002-89		..COWL ASSY- (REF CMM 71-11-33)	M,P,B W,CA, DN,EA ,FC,F S	1
-643E	315T3002-117		..COWL ASSY- (REF CMM 71-11-33)	JD-JG AE,AJ ,FJ,F W	1
-643F	315T3002-121		..COWL ASSY- (REF CMM 71-11-33)	AS,GE	1
-643G	315T3002-125		..COWL ASSY- (REF CMM 71-11-33)	AW,BA ,GJ,G N	1
-643H	315T3002-129		..COWL ASSY- (REF CMM 71-11-33)	BF,BG ,BX,B Y,GW, HA	1
-643J	315T3002-133		..COWL ASSY- (REF CMM 71-11-33)	BE,BT ,GS	1
-643K	315T3002-134		..COWL ASSY- (REF CMM 71-11-33)	BH,CP ,GT	1
-643L	315T3002-101		..COWL ASSY- (REF CMM 71-11-33)	HH,HL ,JW,J Y	1

78-31-14

 ILLUSTRATED PARTS LIST
 01.1 Page 1072X
 Jul 01/04

015T0438
 315T3001
 315T4726
 315T3055

 **BOEING**
 COMPONENT
 MAINTENANCE MANUAL

FIG. & ITEM	PART NO.	AIRLINE PART NUMBER	NOMENCLATURE 1234567	EFF CODE	QTY PER ASSY
09-					
-646	315T3002-102		DELETED		
-646A	315T3002-68		..COWL ASSY- (REF CMM 71-11-32)	F,CD, EK,EX	1
-646B	315T3002-58		..COWL ASSY- (REF CMM 71-11-33)	Q,AP, CE,CM ,DK,D X,EP, GB	1
-646C	315T3002-90		..COWL ASSY- (REF CMM 71-11-33)	R,Y,C F,CL, DP,EB ,FD,F T	1
-646D	315T3002-106		..COWL ASSY- (REF CMM 71-11-33)	JH-JL X,CK, DT,FP ,HM,H P,JB, JC	1
-646E	315T3002-98		..COWL ASSY- (REF CMM 71-11-32)	Z,FG	1
-646F	315T3002-118		..COWL ASSY- (REF CMM 71-11-33)	AF,AK ,FK,F X	1
-646G	315T3002-122		..COWL ASSY- (REF CMM 71-11-33)	AT,GF	1
-646H	315T3002-126		..COWL ASSY- (REF CMM 71-11-33)	AX,BB ,GK,G P	1
-646J	315T3002-130		..COWL ASSY- (REF CMM 71-11-33)	BJ,BK ,CH,C J,GX, HB	1
-646K	315T3002-102		..COWL ASSY- (REF CMM 71-11-33)	HN,HQ ,KB, KC	1

78-31-14

ILLUSTRATED PARTS LIST
 01.1 Page 1072Y
 Jul 01/04

FIG. & ITEM	PART NO.	AIRLINE PART NUMBER	NOMENCLATURE 1234567	EFF CODE	QTY PER ASSY
09- -649	315T3002-69		..COWL ASSY- (REF CMM 71-11-32)	G,FB	1
-649A	315T3002-107		..COWL ASSY- (REF CMM 71-11-33)	U,CV, DU,FQ ,HS,H V,KD, KJ	1
-649B -649C	315T3002-103 315T3002-59		DELETED ..COWL ASSY- (REF CMM 71-11-33)	S,AQ, CR,CX ,DL,D Y,EQ, GC	1
-649D	315T3002-91		..COWL ASSY- (REF CMM 71-11-33)	T,AA, CS,CW ,DQ, EC,FE ,FU JM-JQ	1
-649E	315T3002-119		..COWL ASSY- (REF CMM 71-11-33)	AG,AL ,FL,F Y	1
-649F	315T3002-123		..COWL ASSY- (REF CMM 71-11-33)	AU,GG	1
-649G	315T3002-127		..COWL ASSY- (REF CMM 71-11-33)	AY,BC ,GL,G Q	1
-649H	315T3002-131		..COWL ASSY- (REF CMM 71-11-33)	BM,BN ,CT,C U,GY, HC	1
-649J	315T3002-135		..COWL ASSY- (REF CMM 71-11-33)	BL,CG ,GU	1
-649K	315T3002-103		..COWL ASSY- (REF CMM 71-11-33)	HT,HW ,KE, KG	1

78-31-14

 ILLUSTRATED PARTS LIST
 01.1 Page 1072Z
 Jul 01/04

015T0438
 315T3001
 315T4726
 315T3055

 **BOEING**
 COMPONENT
 MAINTENANCE MANUAL

FIG. & ITEM	PART NO.	AIRLINE PART NUMBER	NOMENCLATURE 1234567	EFF CODE	QTY PER ASSY
09- -652	315T3002-108		..COWL ASSY- (REF CMM 71-11-33)	AB,DF ,DV,F R,HX, HZ,KN ,KN	1
-652A	315T3002-70		..COWL ASSY- (REF CMM 71-11-32)	H,CZ, EM,EZ	1
-652B	315T3002-60		..COWL ASSY- (REF CMM 71-11-33)	V,AR, DA,DH ,DM,D Z,ER, GD	1
-652C	315T3002-92		..COWL ASSY- (REF CMM 71-11-33)	W,AC, DB,DG ,DR, ED,FF ,FV JR-JU	1
-652D	315T3002-104		DELETED		
-652E	315T3002-100		..COWL ASSY- (REF CMM 71-11-33)	AD,FH	1
-652F	315T3002-120		..COWL ASSY- (REF CMM 71-11-33)	AH,AM ,FM,F Z	1
-652G	315T3002-124		..COWL ASSY- (REF CMM 71-11-33)	AV,GH	1
-652H	315T3002-128		..COWL ASSY- (REF CMM 71-11-33)	AZ,BD ,GM,G R	1

78-31-14

ILLUSTRATED PARTS LIST
 01.1 Page 1073
 Jul 01/04

FIG. & ITEM	PART NO.	AIRLINE PART NUMBER	NOMENCLATURE 1234567	EFF CODE	QTY PER ASSY
09- -652J	315T3002-132		..COWL ASSY- (REF CMM 71-11-33)	BQ, BR , DD, D , E, GZ, HD	1
-652K	315T3002-136		..COWL ASSY- (REF CMM 71-11-33)	BP, DC , GV	1
-652L	315T3002-104		..COWL ASSY- (REF CMM 71-11-33)	HY, JA , KL, K M	1
-655	315T3154-1		..TUBING INSTL-ACTR OPENING (FOR DETAILS SEE FIG. 15)	M, P, T , AA, B W, CA, CS, CW , DN DQ, EA , EC, FC, FE , FS, F U JD-JG , JM-J Q	1
-655A	315T3154-25		DELETED		
-655B	315T3154-1		DELETED		
-655C	315T3154-25		..TUBING INSTL-ACTR OPENING (FOR DETAILS SEE FIG. 15)	AJ, AL , AW, A Y, BA, BC, BF , BM BX, BY , FW, F Y, GJ, GL, GN , GQ GW, HA	1

78-31-14

 ILLUSTRATED PARTS LIST
 01.1 Page 1074
 Jul 01/04

015T0438
 315T3001
 315T4726
 315T3055

 **BOEING**
 COMPONENT
 MAINTENANCE MANUAL

FIG. & ITEM	PART NO.	AIRLINE PART NUMBER	NOMENCLATURE	EFF CODE	QTY PER ASSY
			1234567		
09- -658	315T3154-2		..TUBING INSTL-ACTR OPENING (FOR DETAILS SEE FIG. 15)	R,W,Y ,AC,C ,F,CL, DB,DG ,DP DR,EB ,ED, FD,FF ,FT,F V JH-JL ,JR-J U	1
-658A	315T3154-26		..TUBING INSTL-ACTR OPENING (FOR DETAILS SEE FIG. 15)	AK,AM ,AX,A Z,BB, BD,BJ ,BQ CH,DD ,DE,F X,FZ, GK,GM ,GP GR,GZ ,HB, HD	1
-658B	315T3154-2		DELETED		
-658C	315T3154-26		DELETED		

78-31-14

ILLUSTRATED PARTS LIST
 01.1 Page 1074A
 Jul 01/04

FIG. & ITEM	PART NO.	AIRLINE PART NUMBER	NOMENCLATURE	EFF CODE	QTY PER ASSY
09-660	315T3156-1		1234567 ..BRACKET INSTL- DEACTIVATION PIN STOWAGE (USED ON ITEMS 550, 550B, 550D, 550E, 550H, 550J, 550M, 550P, 550Q, 550R, 550S, 550T, 556, 556B, 556D, 556E, 556H, 556J, 556M, 556P, 556Q, 556R, 556S, 556T) (FOR DETAILS SEE FIG. 6)	E,G, L-P, S-U,A A,AJ, AL,AN AQ,AS ,AU,A W,AY, BA,BC BE-BG ,BL-B N,BT, BV-CB ,CG CR-CX ,DJ,D L,DN, DQ,DS ,DU DW,DY ,EA, EC,EN ,EQ, FA-FC FE,FN ,FQ,F S,FU, FW,FY ,GA GC,GE ,GG,G J,GL, GN,GQ ,GS GU,GW	1

78-31-14

ILLUSTRATED PARTS LIST
01.1 Page 1074B
Jul 01/04

015T0438
 315T3001
 315T4726
 315T3055

 **BOEING**
 COMPONENT
 MAINTENANCE MANUAL

FIG. & ITEM	PART NO.	AIRLINE PART NUMBER	NOMENCLATURE 1234567	EFF CODE	QTY PER ASSY
09-				,GY, HA,HC ,HG,H H,HK HL,HS ,HT,H V,HW, JD-JG JM-JQ ,JV,J W,JY, KA,KD ,KE KG,KJ	

78-31-14

ILLUSTRATED PARTS LIST
 01.1 Page 1074C
 Jul 01/04

FIG. & ITEM	PART NO.	AIRLINE PART NUMBER	NOMENCLATURE	EFF CODE	QTY PER ASSY
09- -660A	315T3156-2		1234567 ..BRACKET INSTL- DEACTIVATION PIN STOWAGE (USED ON ITEMS 553B, 553D, 553E, 553G, 553J, 553K, 553N, 553Q, 553R, 553S, 553T, 553U, 559B, 559D, 559E, 559G, 559J, 559K, 559N, 559Q, 559R, 559S, 559T, 559U) (FOR DETAILS SEE FIG. 6)	Q,R, V-Z,A B-AD, AF,AH ,AK,A M AP,AR ,AT,A V,AX, AZ,BB ,BD BH-BK ,BP-B R,C E-CG, CJ-CM CP,DM A-DH, DK,DM ,DP,D R,DT DV,DX ,DZ, EB,ED ,EP,E R,FD FF-FH ,FK,F M,FP, FR,FT ,FV FX,FZ ,GB, GD,GF ,GH,G K,GM GP,GR ,GT-G V,GX,	1

78-31-14

ILLUSTRATED PARTS LIST
01.1 Page 1074D
Jul 01/04

015T0438
 315T3001
 315T4726
 315T3055

 **BOEING**
 COMPONENT
 MAINTENANCE MANUAL

FIG. & ITEM	PART NO.	AIRLINE PART NUMBER	NOMENCLATURE	EFF CODE	QTY PER ASSY
09-			1234567		
663	315T3157-1		..PIN ASSY-GND MAINT DEACTIVATION (USED ON ITEMS 550B, 550D, 550E, 550T, 553B, 553D, 553E, 553U, 556B, 556D, 556E, 556T, 559B, 559D, 559E, 559U) (FOR DETAILS SEE FIG. 7)	GZ,HD HM-HQ ,HX- JC,J H-JL, JR-JU KB,KC ,KK-K M L-Y,A A-AC, AN-AR ,BV,B W,BZ CA,CB ,CE,C F,C K-CM, CR,CS CV-CX ,DA, DB,D F-ED, EN-ER FC-FF ,FN-F V,G A-GD, HG,HH HK-HQ ,HS,H T,H V-JU, KB,KC KK-KM	1

78-31-14

ILLUSTRATED PARTS LIST
 01.1 Page 1074E
 Jul 01/04

FIG. & ITEM	PART NO.	AIRLINE PART NUMBER	NOMENCLATURE 1234567	EFF CODE	QTY PER ASSY
09- -663A	315T3157-7		..PIN ASSY-GND MAINT DEACTIVATION (USED ON ITEMS 550, 550G, 550H, 550J, 550P, 550Q, 550R, 553, 553G, 553H, 553J, 553K, 553Q, 553R, 553S, 556, 556G, 556H, 556J, 556P, 556Q, 556R, 559, 559G, 559H, 559J, 559K, 559Q, 559R, 559S) (FOR DETAILS SEE FIG. 7)	E,G,Z ,AD-A M,A S-AV, BE-BR BT,BX ,BY,C G-CJ, CP,CT ,CU DC-DE ,FA, FB,F G-FM, FW-FZ GE-GH ,GS- HD	1
-664	315T4157-1		..PIN ASSY-GND MAINT DEACTIVATION (USED ON ITEMS 550M, 550S, 553N, 553T, 556M, 556S, 559N, 559T)	AW-BD ,GJ-G R	1
664D	BLDS3-22		...PIN-QUICK RELEASE (V84256) (SPEC BACP18AN3-22) (OPT LA3EW22 (V83014)) (OPT SLDS3R22 (V16258))	AW-BD ,GJ-G R	1
664L	NAS603-11P		...SCREW	AW-BD ,GJ-G R	1
664Q	AN960C11		...WASHER	AW-BD ,GJ-G R	3
664V	NAS43DD3-24		...SPACER	AW-BD ,GJ-G R	1

78-31-14

015T0438
 315T3001
 315T4726
 315T3055

 **BOEING**
 COMPONENT
 MAINTENANCE MANUAL

FIG. & ITEM	PART NO.	AIRLINE PART NUMBER	NOMENCLATURE 1234567	EFF CODE	QTY PER ASSY
09-665	NAS1756-24		...STREAMER	AW-BD /GJ-G R	1
665J	BRH10C3M		...NUT- (V52828) (SPEC BACN10JC3CM) (OPT T6C1032JM (V11815)) (OPT 97E02 (V80539)) (OPT 109LH9075-3W (V72962)) (OPT VN303D02 (V92215)) (OPT NS202101SE02 (V80539)) (OPT H01-3BAC (V15653))	AW-BD /GJ-G R	1
665N	315T4157-2		...SPOOL ASSY	AW-BD /GJ-G R	1
665S	315T1604-4	PIN-INSERT	AW-BD /GJ-G R	1

78-31-14

ILLUSTRATED PARTS LIST
 01.1 Page 1074G
 Jul 01/04

FIG. & ITEM	PART NO.	AIRLINE PART NUMBER	NOMENCLATURE	EFF CODE	QTY PER ASSY
09-666	BACS12BP3AP9		1234567 ..SCREW- (USED ON ITEMS 550, 550A, 550B, 550C, 550D, 550E, 550G, 550H, 550J, 550P, 550Q, 550T, 553, 553A, 553B, 553C, 553D, 553E, 553G, 553H, 553J, 553K, 553Q, 553R, 553U, 556, 556A, 556B, 556C, 556D, 556E, 556G, 556H, 556J, 556P, 556Q, 556T, 559, 559A, 559B, 559C, 559D, 559E, 559G, 559H, 559J, 559K, 559Q, 559R, 559U) (CONT AT ITEM 666A)	E-H, L-AV, BE-BR ,BT,B V-CB CD-CM ,CP-C X,C Z-ED, EK EM-ER ,EX,E Z-FH, FN-GH GS-HD ,HH,H K-HQ, HS,HT HV-JW ,JY, KA-KE ,KG, KJ-KM	5

78-31-14

 ILLUSTRATED PARTS LIST
 01.1 Page 1074H
 Jul 01/04

015T0438
 315T3001
 315T4726
 315T3055

 **BOEING**
 COMPONENT
 MAINTENANCE MANUAL

FIG. & ITEM	PART NO.	AIRLINE PART NUMBER	NOMENCLATURE	EFF CODE	QTY PER ASSY
09- -666A	BACS12BP3AP9		1234567 ..SCREW- (CONT FROM ITEM 666)	E-H, L-AD, AJ-AV ,BE-B R,BT BV-CB ,CD-C M,C P-CX, CZ-ED EK,ED M-ER, EX,E Z-FH, FN-GH GS-HD ,HH,H K-HQ, HS,HT HV-JW ,JY, KA-KE ,KG, KJ-KM	5

78-31-14

ILLUSTRATED PARTS LIST
 01.1 Page 1074I
 Jul 01/04

FIG. & ITEM	PART NO.	AIRLINE PART NUMBER	NOMENCLATURE	EFF CODE	QTY PER ASSY
09-669	315T3539-3		1234567 ..WASHER-DRAG LINK (USED ON ITEMS 550, 550A, 550B, 550C, 550D, 550E, 550G, 550H, 550J, 550P, 550Q, 550T, 553, 553A, 553B, 553C, 553D, 553E, 553G, 553H, 553J, 553K, 553Q, 553R, 553U, 556, 556A, 556B, 556C, 556D, 556E, 556G, 556H, 556J, 556P, 556Q, 556T, 559, 559A, 559B, 559C, 559D, 559E, 559G, 559H, 559J, 559K, 559Q, 559R, 559U)	E-H, L-AV, BE-BR ,BT,B V-CB CD-CM ,CP-C X,C Z-ED, EK EM-ER ,EX,E Z-FH, FN-GH GS-HD ,HH,H K-HQ, HS,HT HV-JW ,JY, KA-KE ,KG, KJ-KM	5

78-31-14

 ILLUSTRATED PARTS LIST
 01.1 Page 1074J
 Jul 01/04

015T0438
 315T3001
 315T4726
 315T3055

 **BOEING**
 COMPONENT
 MAINTENANCE MANUAL

FIG. & ITEM	PART NO.	AIRLINE PART NUMBER	NOMENCLATURE	EFF CODE	QTY PER ASSY
09-672	315T3539-1		1234567 ..PIN-DRAG LINK (USED ON ITEMS 550, 550A, 550B, 550C, 550D, 550E, 550G, 550H, 550J, 550P, 550Q, 550T, 553, 553A, 553B, 553C, 553D, 553E, 553G, 553H, 553J, 553K, 553Q, 553R, 553U, 556, 556A, 556B, 556C, 556D, 556E, 556G, 556H, 556J, 556P, 556Q, 556T, 559, 559A, 559B, 559C, 559D, 559E, 559G, 559H, 559J, 559K, 559Q, 559R, 559U)	E-H, L-AV, BE-BR ,BT,B V-CB CD-CM ,CP-C X,C Z-ED, EK EM-ER ,EX,E Z-FH, FN-GH GS-HD ,HH,H K-HQ, HS,HT HV-JW ,JY, KA-KE ,KG, KJ-KM	5

78-31-14

ILLUSTRATED PARTS LIST
 01.1 Page 1074K
 Jul 01/04

FIG. & ITEM	PART NO.	AIRLINE PART NUMBER	NOMENCLATURE	EFF CODE	QTY PER ASSY
			1234567		
09-675	315T3102-1		..FITTING ASSY-HINGE (USED ON ITEMS 550, 550A, 550B, 550C, 550D, 550E, 550G, 550H, 550J, 550P, 550Q, 550T, 553, 553A, 553B, 553C, 553D, 553E, 553G, 553H, 553J, 553K, 553Q, 553R, 553U, 556, 556A, 556B, 556C, 556D, 556E, 556G, 556H, 556J, 556P, 556Q, 556T, 559, 559A, 559B, 559C, 559D, 559E, 559G, 559H, 559J, 559K, 559Q, 559R, 559U)	E-H, L-AV, BE-BR ,BT,B V-CB CD-CM ,CP-C X,C Z-ED, EK EM-ER ,EX,E Z-FH, FN-GH GS-HD ,HH,H K-HQ, HS,HT HV-JW ,JY, KA-KE ,KG, KJ-KM	5
-675A	315T3102-6		..FITTING ASSY-HINGE (USED ON ITEMS 550M, 550R, 550S, 553N, 553S, 553T, 556M, 556R, 556S, 559N, 559S, 559T) ATTACHING PARTS	AS-BD ,GE-G R	5

78-31-14

 ILLUSTRATED PARTS LIST
 01.1 Page 1074L
 Jul 01/04

015T0438
 315T3001
 315T4726
 315T3055

 **BOEING**
 COMPONENT
 MAINTENANCE MANUAL

FIG. & ITEM	PART NO.	AIRLINE PART NUMBER	NOMENCLATURE 1234567	EFF CODE	QTY PER ASSY
09-678	HL13VAZ8-22		..BOLT- (V56878) (SPEC BACB30NY8K22) (OPT HL13VAZ8-22 (V73197)) (OPT HL13VAZ8-22 (V92215)) (OPT HL13VAZ8-22 (V97928)) (OPT L801-8K22 (V06725)) (OPT HL13VAZ8-22 (V08524)) (OPT HL13V22 (V06725)) (OPT HL13VAZ8-22 (V17446))	E-H, L-BR, BT,B V-CB, CD-CM CP,CM R-CX, CZ-ED ,EK,E M-ER EX,E Z-HD, HG,HH ,HK-H Q,HS HT,H V-JW, JY,K A-KE, KG KJ-KM	20
681	HL79-8		..COLLAR- (V5M902) (SPEC BACC30M8) (OPT HL79-8 (V73197)) (OPT HL79-8 (V92215)) (OPT 66014-8 (V56878)) (OPT HL79-8 (V56878))	E-H, L-BR, BT,B V-CB, CD-CM CP,CM R-CX, CZ-ED ,EK,E M-ER EX,E Z-HD, HG,HH ,HK-H Q,HS HT,H V-JW, JY,K A-KE, KG KJ-KM	20

-----*

78-31-14

ILLUSTRATED PARTS LIST
 01.1 Page 1074M
 Jul 01/04

FIG. & ITEM	PART NO.	AIRLINE PART NUMBER	NOMENCLATURE	EFF CODE	QTY PER ASSY
09-684	315T3517-1		1234567 ...BUSHING- (USED ON ITEM 675)	E-H, L-AV, BE-BR ,BT,B V-CB CD-CM ,CP-C X,C Z-ED, EK EM-ER ,EX,E Z-FH, FN-GH GS-HD ,HH,H K-HQ, HS,HT HV-JW ,JY, KA-KE ,KG, KJ-KM AS-BD ,GE-G R	2
-684A	315T3517-5		...BUSHING- (USED ON ITEM 675A)		2

78-31-14

 ILLUSTRATED PARTS LIST
 01.1 Page 1074N
 Jul 01/04

015T0438
 315T3001
 315T4726
 315T3055

 **BOEING**
 COMPONENT
 MAINTENANCE MANUAL

FIG. & ITEM	PART NO.	AIRLINE PART NUMBER	NOMENCLATURE 1234567	EFF CODE	QTY PER ASSY
09-687	315T3102-2		...FITTING	E-H, L-BR, BT,B V-CB, CD-CM CP,CM R-CX, CZ-ED ,EK,E M-ER EX,E Z-HD, HG,HH ,HK-H Q,HS HT,H V-JW, JY,K A-KE, KG KJ-KM	1

78-31-14

ILLUSTRATED PARTS LIST
 01.1 Page 10740
 Jul 01/04

FIG. & ITEM	PART NO.	AIRLINE PART NUMBER	NOMENCLATURE	EFF CODE	QTY PER ASSY
09-690	BACS40R13D52F		1234567 ..SHIM	E-H, L-BD, BV,BW ,BZ- CB CD-CF ,CK-C M,CR, CS,C V-CX CZ-DB ,DF- ED,EK ,EM-E R,EX EZ-GM ,GS- HD,HG ,HH,H K-HQ HS,HT ,HV-J W,JY, KA-KE ,KG KJ-KM	5

78-31-14

ILLUSTRATED PARTS LIST
 01.1 Page 1074P
 Jul 01/04

015T0438
 315T3001
 315T4726
 315T3055

 **BOEING**
 COMPONENT
 MAINTENANCE MANUAL

FIG. & ITEM	PART NO.	AIRLINE PART NUMBER	NOMENCLATURE	EFF CODE	QTY PER ASSY
09-693	BACS12BP3AP9		1234567 ..SCREW- (USED ON ITEMS 550, 550A, 550B, 550C, 550D, 550E, 550G, 550H, 550J, 550P, 550Q, 550T, 553, 553A, 553B, 553C, 553D, 553E, 553G, 553H, 553J, 553K, 553Q, 553R, 553U, 556, 556A, 556B, 556C, 556D, 556E, 556G, 556H, 556J, 556P, 556Q, 556T, 559, 559A, 559B, 559C, 559D, 559E, 559G, 559H, 559J, 559K, 559Q, 559R, 559U) (CONT AT ITEM 693A)	E-H, L-AV, BE-BR ,BT,B V-CB CD-CM ,CP-C X,C Z-ED, EK EM-ER ,EX,E Z-FH, FN-GH GS-HD ,HH,H K-HQ, HS,HT HV-JW ,JY, KA-KE ,KG, KJ-KM	1

78-31-14

ILLUSTRATED PARTS LIST
 01.1 Page 1074Q
 Jul 01/04

FIG. & ITEM	PART NO.	AIRLINE PART NUMBER	NOMENCLATURE	EFF CODE	QTY PER ASSY
09-693A	BACS12BP3AP9		1234567 ..SCREW- (CONT FROM ITEM 693)	E-H, L-AD, AJ-AV, ,BE-B R,BT BV-CB ,CD-C M,C P-CX, CZ-ED EK,ED M-ER, EX,E Z-FH, FN-GH GS-HD ,HH,H K-HQ, HS,HT HV-JW ,JY, KA-KE ,KG, KJ-KM	1

78-31-14

015T0438
 315T3001
 315T4726
 315T3055

 **BOEING**
 COMPONENT
 MAINTENANCE MANUAL

FIG. & ITEM	PART NO.	AIRLINE PART NUMBER	NOMENCLATURE	EFF CODE	QTY PER ASSY
09-696	315T3539-3		1234567 ..WASHER-DRAG LINK (USED ON ITEMS 550, 550A, 550B, 550C, 550D, 550E, 550G, 550H, 550J, 550P, 550Q, 550T, 553, 553A, 553B, 553C, 553D, 553E, 553G, 553H, 553J, 553K, 553Q, 553R, 553U, 556, 556A, 556B, 556C, 556D, 556E, 556G, 556H, 556J, 556P, 556Q, 556T, 559, 559A, 559B, 559C, 559D, 559E, 559G, 559H, 559J, 559K, 559Q, 559R, 559U)	E-H, L-AV, BE-BR ,BT,B V-CB CD-CM ,CP-C X,C Z-ED, EK EM-ER ,EX,E Z-FH, FN-GH GS-HD ,HH,H K-HQ, HS,HT HV-JW ,JY, KA-KE ,KG, KJ-KM	1

78-31-14

ILLUSTRATED PARTS LIST
 01.1 Page 1074S
 Jul 01/04

FIG. & ITEM	PART NO.	AIRLINE PART NUMBER	NOMENCLATURE	EFF CODE	QTY PER ASSY
09-699	315T3539-1		1234567 ..PIN-DRAG LINK (USED ON ITEMS 550, 550A, 550B, 550C, 550D, 550E, 550G, 550H, 550J, 550P, 550Q, 550T, 553, 553A, 553B, 553C, 553D, 553E, 553G, 553H, 553J, 553K, 553Q, 553R, 553U, 556, 556A, 556B, 556C, 556D, 556E, 556G, 556H, 556J, 556P, 556Q, 556T, 559, 559A, 559B, 559C, 559D, 559E, 559G, 559H, 559J, 559K, 559Q, 559R, 559U)	E-H, L-AV, BE-BR ,BT,B V-CB CD-CM ,CP-C X,C Z-ED, EK EM-ER ,EX,E Z-FH, FN-GH GS-HD ,HH,H K-HQ, HS,HT HV-JW ,JY, KA-KE ,KG, KJ-KM	5

78-31-14

015T0438
 315T3001
 315T4726
 315T3055

 **BOEING**
 COMPONENT
 MAINTENANCE MANUAL

FIG. & ITEM	PART NO.	AIRLINE PART NUMBER	NOMENCLATURE	EFF CODE	QTY PER ASSY
09-702	315T3103-11		1234567 ..FITTING ASSY-LWR HINGE (USED ON ITEMS 550, 550A, 550B, 550C, 550D, 550E, 550G, 550H, 550J, 550P, 550Q, 550T, 556, 556A, 556B, 556C, 556D, 556E, 556G, 556H, 556J, 556P, 556Q, 556T)	E,G, L-P, S-U,A A,AE, AG,AJ AL,AN ,AQ,A S,AU, BE-BG BL-BN ,BT,B V-CB, CG,C R-CX DJ,DL ,DN,D Q,DS, DU,DW ,DY EA,EC ,EN,E Q,F A-FC, FE,FJ FL,FN ,FQ,F S,FU, FW,FY ,GA GC,GE ,GG,G S,GU, GW,GY ,HA HC,HG ,HH,H K,HL,	1

78-31-14

ILLUSTRATED PARTS LIST
 01.1 Page 1074U
 Jul 01/04

FIG. & ITEM	PART NO.	AIRLINE PART NUMBER	NOMENCLATURE	EFF CODE	QTY PER ASSY
09-			1234567		
-702A	315T3103-13		..FITTING ASSY-LWR HINGE (USED ON ITEMS 550M, 550R, 550S, 556M, 556R, 556S)	HS,HT ,HV HW,J D-JG, JM-JQ ,JV,J W,JY KA,KD ,KE, KG,KJ AS,AU ,AW,A Y,BA, BC,GE ,GG GJ,GL ,GN,G Q	1

78-31-14

015T0438
 315T3001
 315T4726
 315T3055

BOEING
 COMPONENT
 MAINTENANCE MANUAL

FIG. & ITEM	PART NO.	AIRLINE PART NUMBER	NOMENCLATURE	EFF CODE	QTY PER ASSY
09-705	315T3103-2		1234567 ..FITTING ASSY-LWR HINGE (USED ON ITEMS 553, 553A, 553B, 553C, 553D, 553E, 553G, 553H, 553J, 553K, 553Q, 553R, 553U, 559, 559A, 559B, 559C, 559D, 559E, 559G, 559H, 559J, 559K, 559Q, 559R, 559U)	F,H,Q ,R, V-Z,A B-AD, AF,AH AK,AM ,AP,A R,AT, AV,B H-BK BP-BR ,CD-C F,C H-CM, CP CZ-DH ,DK,D M,DP, DR,DT ,DV DX,DZ ,EB, ED,EK ,EM,E P,ER EX,EZ ,FD,F F,FG, FH,FK ,FM FP,FR ,FT,F V,FX, FZ,GB ,GD GF,GH ,GK,G M,GT, GV,GX ,GZ HB,HD ,HM-H Q,H X-JC, JH-JL JR-JU ,KB, KC,K K,KM	1

78-31-14

FIG. & ITEM	PART NO.	AIRLINE PART NUMBER	NOMENCLATURE	EFF CODE	QTY PER ASSY
09- -705A	315T3103-14		1234567 ..FITTING ASSY-LWR HINGE (USED ON ITEMS 553N, 553S, 553T, 559N, 559S, 559T)	AT,AV ,AX,A Z,BB, BD,GF ,GH GK,GM ,GP,G R	1
708	HL1012AZ8-25		ATTACHING PARTS ..BOLT (VOPTK6) (SPEC BACB30NX8K25) (OPT HL12VAZ8-25 (V73197)) (OPT HL12VAZ8-25 (V92215)) (OPT HL12VAZ8-25 (V97928)) (OPT L802-8K25 (V06725)) (OPT HL12VAZ8-25 (V56878)) (OPT HL1012AZ8-25 (V06725)) (OPT HL1012AZ8-25 (V06950)) (OPT HL1012AZ8-25 (V17446)) (OPT HL1012AZ8-25 (V56878)) (OPT HL1012AZ8-25 (V60516)) (OPT HL1012AZ8-25 (V73197)) (OPT HL1012AZ8-25 (V97928))	E-H, L-BR, BT,B V-CB, CD-CM CP,CM R-CX, CZ-ED ,EK,E M-ER EX,E Z-HD, HG,HH ,HK-H Q,HS HT,H V-JW, JY,K A-KE, KG KJ-KM	1

78-31-14

ILLUSTRATED PARTS LIST
01.1 Page 1074X
Jul 01/04

015T0438
 315T3001
 315T4726
 315T3055

 **BOEING**
 COMPONENT
 MAINTENANCE MANUAL

FIG. & ITEM	PART NO.	AIRLINE PART NUMBER	NOMENCLATURE 1234567	EFF CODE	QTY PER ASSY
09-711	HL1012AZ8-20		..BOLT (V0PTK6) (SPEC BACB30NX8K20) (OPT HL12VAZ8-20 (V73197)) (OPT HL12VAZ8-20 (V92215)) (OPT HL12VAZ8-20 (V97928)) (OPT L802-8K20 (V06725)) (OPT HL12VAZ8-20 (V56878)) (OPT HL1012AZ8-20 (V06725)) (OPT HL1012AZ8-20 (V06950)) (OPT HL1012AZ8-20 (V17446)) (OPT HL1012AZ8-20 (V56878)) (OPT HL1012AZ8-20 (V60516)) (OPT HL1012AZ8-20 (V73197)) (OPT HL1012AZ8-20 (V97928))	E-H, L-BR, BT,B V-CB, CD-CM CP,CM R-CX, CZ-ED ,EK,E M-ER EX,E Z-HD, HG,HH ,HK-H Q,HS HT,H V-JW, JY,K A-KE, KG KJ-KM	2

78-31-14

ILLUSTRATED PARTS LIST
 01.1 Page 1074Y
 Jul 01/04

FIG. & ITEM	PART NO.	AIRLINE PART NUMBER	NOMENCLATURE	EFF CODE	QTY PER ASSY
09-714	HL79-8		1234567 ..COLLAR (V5M902) (SPEC BACC30M8) (OPT HL79-8 (V73197)) (OPT HL79-8 (V92215)) (OPT 66014-8 (V56878)) (OPT HL79-8 (V56878))	E-H, L-BR, BT,B V-CB, CD-CM CP,CM R-CX, CZ-ED ,EK,E M-ER EX,E Z-HD, HG,HH ,HK-H Q,HS HT,H V-JW, JY,K A-KE, KG KJ-KM	2
717	315T3517-1		-----*----- ...BUSHING- (USED ON ITEMS 702, 705)	E-H, L-AV, BE-BR ,BT,B V-CB CD-CM ,CP,C R-CX, CZ-ED ,EK EM-ER ,EX,E Z-GH, GS-HD ,HG HH,H K-HQ, HS,HT ,HV-J W,JY KA-KE ,KG, KJ-KM	2

78-31-14

 ILLUSTRATED PARTS LIST
 01.1 Page 1074Z
 Jul 01/04

015T0438
315T3001
315T4726
315T3055

 **BOEING**
COMPONENT
MAINTENANCE MANUAL

FIG. & ITEM	PART NO.	AIRLINE PART NUMBER	NOMENCLATURE	EFF CODE	QTY PER ASSY
09- -717A	315T3517-5		1234567 ...BUSHING- (USED ON ITEMS 702A, 705A)	AS-BD ,GE-G R	2

78-31-14

ILLUSTRATED PARTS LIST
01.1 Page 1075
Jul 01/04

FIG. & ITEM	PART NO.	AIRLINE PART NUMBER	NOMENCLATURE	EFF CODE	QTY PER ASSY
09-720	315T3103-12		1234567 ...FITTING	E,G, L-P, S-U,A A,AE, AG,AJ AL,AN ,AQ,A S,AU, BA,BC BE-BG ,BL-B N,BT, BV-CB CG,CB R-CX, DJ,DL ,DN,D Q,DS DU,DW ,DY, EA,EC ,EN,E Q FA-FC ,FE,F J,FL, FN,FQ ,FS FU,FW ,FY, GA,GC ,GE,G G,GN GQ,GS ,GU,G W,GY, HA,HC JD-JG ,JM-J Q,JV, JW,JY ,KA KD,KE ,KG, KJ	1

78-31-14

ILLUSTRATED PARTS LIST
 01.1 Page 1076
 Jul 01/04

015T0438
 315T3001
 315T4726
 315T3055

 **BOEING**
 COMPONENT
 MAINTENANCE MANUAL

FIG. & ITEM	PART NO.	AIRLINE PART NUMBER	NOMENCLATURE	EFF CODE	QTY PER ASSY
09-723	315T3103-4		1234567 ...FITTING	F,H,Q ,R, V-Z,A B-AD, AF,AH AK,AM ,AP,A R,AT, AV,BB ,BD BH-BK ,BP-B R,C D-CF, CH-CM CP,CM Z-DH, DK,DM ,DP,D R,DT DV,DX ,DZ, EB,ED ,EK,E M,EP ER,EX ,EZ, FD,FF ,FG,F H,FK FM,FP ,FR,F T,FV, FX,FZ ,GB GD,GF ,GH,G P,GR,	1

78-31-14

ILLUSTRATED PARTS LIST
 01.1 Page 1076A
 Jul 01/04

FIG. & ITEM	PART NO.	AIRLINE PART NUMBER	NOMENCLATURE	EFF CODE	QTY PER ASSY
09-			1234567		
726	BACR15BB3AD		..RIVET- (SIZE DETERMINE ON INST) (USED ON ITEMS 550, 550A, 550B, 550C, 550D, 550E, 550G, 550H, 550J, 550P, 550Q, 550T, 553, 553A, 553B, 553C, 553D, 553E, 553G, 553H, 553J, 553K, 553Q, 553R, 553U, 556, 556A, 556B, 556C, 556D, 556E, 556G, 556H, 556J, 556P, 556Q, 556T, 559, 559A, 559B, 559C, 559D, 559E, 559G, 559H, 559J, 559K, 559Q, 559R, 559U)	GT, GV ,GX GZ, HB ,HD, JH-JL ,JR-J U, KB KC, K K-KM E-H, L-AV, BE-BR ,BT, B V-CB CD-CM ,CP-C X, C Z-ED, EK EM-ER ,EX, E Z-GH, GS-HD ,HG HH, H K-HQ, HS, HT ,HV-J W, JY KA-KE ,KG, KJ-KM	4

78-31-14

015T0438
 315T3001
 315T4726
 315T3055

 **BOEING**
 COMPONENT
 MAINTENANCE MANUAL

FIG. & ITEM	PART NO.	AIRLINE PART NUMBER	NOMENCLATURE 1234567	EFF CODE	QTY PER ASSY
09-729	MS27253-2		..PLATE- (USED ON ITEMS 550, 550A, 550B, 550C, 550D, 550E, 550G, 550H, 550J, 550P, 550Q, 550T, 553, 553A, 553B, 553C, 553D, 553E, 553G, 553H, 553J, 553K, 553Q, 553R, 553U, 556, 556A, 556B, 556C, 556D, 556E, 556G, 556H, 556J, 556P, 556Q, 556T, 559, 559A, 559B, 559C, 559D, 559E, 559G, 559H, 559J, 559K, 559Q, 559R, 559U)	E-H, L-AV, BE-BR ,BT,B V-CB CD-CM ,CP-C X,C Z-ED, EK EM-ER ,EX,E Z-GH, GS-HD ,HG HH,H K-HQ, HS,HT ,HV-J W,JY KA-KE ,KG, KJ-KM	1
731	MS24665-151		..PIN-COTTER (USED ON ITEMS 550M, 550R, 550S, 553N, 553S, 553T, 556M, 556R, 556S, 559N, 559S, 559T)	AS-BD ,GE-G R	5
734	BACB30NR4DK21		..BOLT- (USED ON ITEMS 550M, 550R, 550S, 553N, 553S, 553T, 556M, 556R, 556S, 559N, 559S, 559T)	AS-BD ,GE-G R	5
737	BACW10P186C		..WASHER- (USED ON ITEMS 550M, 550R, 550S, 553N, 553S, 553T, 556M, 556R, 556S, 559N, 559S, 559T)	AS-BD ,GE-G R	5
740	BACN10JD4AU		..NUT- (USED ON ITEMS 550M, 550R, 550S, 553N, 553S, 553T, 556M, 556R, 556S, 559N, 559S, 559T)	AS-BD ,GE-G R	5

78-31-14

ILLUSTRATED PARTS LIST
 01.1 Page 1076C
 Jul 01/04

FIG. & ITEM	PART NO.	AIRLINE PART NUMBER	NOMENCLATURE 1234567	EFF CODE	QTY PER ASSY
09-743	315T4532-1		..CLIP-ANTI ROTATION (USED ON ITEMS 550M, 550R, 550S, 553N, 553S, 553T, 556M, 556R, 556S, 559N, 559S, 559T)	AS-BD ,GE-G R	5
746	KJB301504B		..BUSHING- (V50632) (USED ON ITEMS 550M, 550R, 550S, 553N, 553S, 553T, 556M, 556R, 556S, 559N, 559S, 559T)	AS-BD ,GE-G R	5
749	MS24665-151		..PIN-COTTER (USED ON ITEMS 550M, 550R, 550S, 553N, 553S, 553T, 556M, 556R, 556S, 559N, 559S, 559T)	AS-BD ,GE-G R	1
752	BACB30NR4DK21		..BOLT- (USED ON ITEMS 550M, 550R, 550S, 553N, 553S, 553T, 556M, 556R, 556S, 559N, 559S, 559T)	AS-BD ,GE-G R	1
755	BACW10P186C		..WASHER- (USED ON ITEMS 550M, 550R, 550S, 553N, 553S, 553T, 556M, 556R, 556S, 559N, 559S, 559T)	AS-BD ,GE-G R	1
758 758A	BACW10P186C BACN10JD4AU		DELETED ..NUT- (USED ON ITEMS 550M, 550R, 550S, 553N, 553S, 553T, 556M, 556R, 556S, 559N, 559S, 559T)	AS-BD ,GE-G R	1

78-31-14

015T0438
 315T3001
 315T4726
 315T3055

 **BOEING**
 COMPONENT
 MAINTENANCE MANUAL

FIG. & ITEM	PART NO.	AIRLINE PART NUMBER	NOMENCLATURE 1234567	EFF CODE	QTY PER ASSY
09-761	315T4532-1		..CLIP-ANTI ROTATION (USED ON ITEMS 550M, 550R, 550S, 553N, 553S, 553T, 556M, 556R, 556S, 559N, 559S, 559T)	AS-BD ,GE-G R	1
764	KJB301504B		..BUSHING- (V50632) (USED ON ITEMS 550M, 550R, 550S, 553N, 553S, 553T, 556M, 556R, 556S, 559N, 559S, 559T)	AS-BD ,GE-G R	1
767	BACR15BB5AD		DELETED		
770	315T3154-12		DELETED		
773	BACR15BB5AD		DELETED		
776	315T3154-15		DELETED		
-779	315T3154-16		DELETED		
782	315T3154-16		DELETED		
-785	315T3154-15		DELETED		
788	BACR15BB6AD		DELETED		
791	315T3154-13		DELETED		
-794	315T3154-14		DELETED		
797	BACR15BB6AD		DELETED		
800	315T3154-17		DELETED		
-803	315T3154-18		DELETED		
806	BACR15BB5AD		DELETED		
809	315T3154-19		DELETED		

78-31-14

ILLUSTRATED PARTS LIST
 01.1 Page 1076E
 Jul 01/04

FIG. & ITEM	PART NO.	AIRLINE PART NUMBER	NOMENCLATURE	EFF CODE	QTY PER ASSY
09-815	315T3500-21		1234567 ..SLEEVE ASSY- (USED ON ITEMS 550, 550A, 550B, 550C, 550D, 550E, 550G, 550H, 550J, 550P, 550Q, 550R, 550T, 556, 556A, 556B, 556C, 556D, 556E, 556G, 556H, 556J, 556P, 556Q, 556R, 556T) (PRE SB 767-78A0089) (REF CMM 78-31-22)	E,G, L-P, S-U,A A,AE, AG,AJ AL,AN ,AQ,A S,AU, AW,AY ,BA BC,B E-BG, BL-BN ,BT,B V-CB CG,C R-CX, DJ,DL ,DN,D Q,DS DU,DW ,DY, EA,EC ,EN,E Q FA-FC ,FE,F J,FL, FN,FQ ,FS FU,FW ,FY, GA,GC ,GE,G G,GJ GL,GN ,GQ,G S,GU,	1

78-31-14

015T0438
 315T3001
 315T4726
 315T3055

 **BOEING**
 COMPONENT
 MAINTENANCE MANUAL

FIG. & ITEM	PART NO.	AIRLINE PART NUMBER	NOMENCLATURE	EFF CODE	QTY PER ASSY
09-			1234567		
-815A	315T3500-27		..SLEEVE ASSY- (USED ON ITEMS 550M, 556M) (PRE SB 767-78A0089) (REF CMM 78-31-22)	GW,GY ,HA HC,HG ,HH,H K,HL, HS,HT ,HV HW,J D-JG, JM-JQ ,JV,J W,JY KA,KD ,KE, KG,KJ AW,AY ,BA,B C,GJ, GL,GN ,GQ	1

78-31-14

ILLUSTRATED PARTS LIST
 01.1 Page 1076G
 Jul 01/04

FIG. & ITEM	PART NO.	AIRLINE PART NUMBER	NOMENCLATURE	EFF CODE	QTY PER ASSY
R 09-815B	315T4026-19		1234567 ..SLEEVE ASSY- (USED ON ITEMS 550, 550A, 550B, 550C, 550D, 550E, 550G, 550H, 550J, 550P, 550Q, 550R, 550T, 556, 556A, 556B, 556C, 556D, 556E, 556G, 556H, 556J, 556P, 556Q, 556R, 556T) (POST SB 767-78A0089) (REF CMM 78-31-22)	E,G, L-P, S-U,A A,AE, AG,AJ AL,AN ,AQ,A S,AU, AW,AY ,BA BC,B E-BG, BL-BN ,BT,B V-CB CG,C R-CX, DJ,DL ,DN,D Q,DS DU,DW ,DY, EA,EC ,EN,E Q FA-FC ,FE,F J,FL, FN,FQ ,FS FU,FW ,FY, GA,GC ,GE,G G,GJ GL,GN ,GQ,G S,GU,	1

78-31-14

015T0438
 315T3001
 315T4726
 315T3055

 **BOEING**
 COMPONENT
 MAINTENANCE MANUAL

FIG. & ITEM	PART NO.	AIRLINE PART NUMBER	NOMENCLATURE	EFF CODE	QTY PER ASSY
09-			1234567		
R -815C	315T4026-23		..SLEEVE ASSY- (USED ON ITEMS 550M, 556M) (POST SB 767-78A0089) (REF CMM 78-31-22)	GW,GY ,HA HC,HG ,HH,H K,HL, HS,HT ,HV HW,J D-JG, JM-JQ ,JV,J W,JY KA,KD ,KE, KG,KJ AW,AY ,BA,B C,GJ, GL,GN ,GQ	1

78-31-14

ILLUSTRATED PARTS LIST
 01.1 Page 1076I
 Jul 01/04

FIG. & ITEM	PART NO.	AIRLINE PART NUMBER	NOMENCLATURE	EFF CODE	QTY PER ASSY
09-820	315T3500-22		1234567 ..SLEEVE ASSY- (USED ON ITEMS 553, 553A, 553B, 553C, 553D, 553E, 553G, 553H, 553J, 553K, 553Q, 553R, 553S, 553T, 553U) (PRE SB 767-78A0089) (REF CMM 78-31-22)	F,H,Q ,R, V-Z,A B-AD, AF,AH AK,AM ,AP,A R,AT, AV,AX ,AZ BB,BD ,BH-B K,B P-BR, CD-CF CH-CM ,CP,C Z-DH, DK,DM ,DP DR,DT ,DV,D X,DZ, EB,ED ,EK EM,EP ,ER,E X,EZ, FD,FF ,FG FH,FK ,FM,F P,FR, FT,FV ,FX FZ,GB ,GD,	1

78-31-14

ILLUSTRATED PARTS LIST
 01.1 Page 1076J
 Jul 01/04

015T0438
 315T3001
 315T4726
 315T3055

 **BOEING**
 COMPONENT
 MAINTENANCE MANUAL

FIG. & ITEM	PART NO.	AIRLINE PART NUMBER	NOMENCLATURE	EFF CODE	QTY PER ASSY
09-			1234567		
-820A	315T3500-28		..SLEEVE ASSY- (USED ON ITEMS 553N, 559N) (PRE SB 767-78A0089) (REF CMM 78-31-22)	GF,GH ,GK,G M,GP GR,GT ,GV,G X,GZ, HB,HD HM-HQ ,HX- JC,J H-JL, JR-JU KB,KC ,KK-K M AX,AZ ,BB,B D,GK, GM,GP ,GR	1

78-31-14

ILLUSTRATED PARTS LIST
 01.1 Page 1076K
 Jul 01/04

FIG. & ITEM	PART NO.	AIRLINE PART NUMBER	NOMENCLATURE	EFF CODE	QTY PER ASSY
R 09-820B	315T4026-20		1234567 ..SLEEVE ASSY- (USED ON ITEMS 553, 553A, 553B, 553C, 553D, 553E, 553G, 553H, 553J, 553K, 553Q, 553R, 553S, 553T, 553U) (POST SB 767-78A0089) (REF CMM 78-31-22)	F,H,Q ,R, V-Z,A B-AD, AF,AH AK,AM ,AP,A R,AT, AV,AX ,AZ BB,BD ,BH-B K,B P-BR, CD-CF CH-CM ,CP,C Z-DH, DK,DM ,DP DR,DT ,DV,D X,DZ, EB,ED ,EK EM,EP ,ER,E X,EZ, FD,FF ,FG FH,FK ,FM,F P,FR, FT,FV ,FX Z,GB ,GD,	1

78-31-14

ILLUSTRATED PARTS LIST
01.1 Page 1076L
Jul 01/04

015T0438
 315T3001
 315T4726
 315T3055

BOEING
 COMPONENT
 MAINTENANCE MANUAL

FIG. & ITEM	PART NO.	AIRLINE PART NUMBER	NOMENCLATURE	EFF CODE	QTY PER ASSY
09-			1234567		
R -820C	315T4026-24		..SLEEVE ASSY- (USED ON ITEMS 553N, 559N) (POST SB 767-78A0089) (REF CMM 78-31-22) INSTALLATION PARTS	GF,GH ,GK,G M,GP GR,GT ,GV,G X,GZ, HB,HD HM-HQ ,HX- JC,J H-JL, JR-JU KB,KC ,KK-K M AX,AZ ,BB,B D,GK, GM,GP ,GR E-H, L-BR, BT,B V-CB, CD-CM CP,CM R-CX, CZ-ED ,EK,E M-ER EX,E Z-HD, HG,HH ,HK-H Q,HS HT,H V-JW, JY,K A-KE, KG KJ-KM	1

78-31-14

ILLUSTRATED PARTS LIST
 01.1 Page 1076M
 Jul 01/04

FIG. & ITEM	PART NO.	AIRLINE PART NUMBER	NOMENCLATURE	EFF CODE	QTY PER ASSY
09-995	288T3199		1234567 WIRE BUNDLE INSTL-COWLING AND THRUST REVERSER (FOR DETAILS SEE FIG. 3)	E-H, L-BR, BT,B V-CB, CD-CM CP,CM R-CX, CZ-ED ,EK,E M-ER EX,E Z-HD, HG,HH ,HK-H Q,HS HT,H V-JW, JY,K A-KE, KG KJ-KM	RF
996	315T3013-1		LINK ASSY-FWD HINGE	E-H, L-BR, BT,B V-CB, CD-CM CP,CM R-CX, CZ-ED ,EK,E M-ER EX,E Z-HD, HG,HH ,HK-H Q,HS HT,H V-JW, JY,K A-KE, KG KJ-KM	1

78-31-14

 ILLUSTRATED PARTS LIST
 01.1 Page 1076N
 Jul 01/04

015T0438
 315T3001
 315T4726
 315T3055

 **BOEING**
 COMPONENT
 MAINTENANCE MANUAL

FIG. & ITEM	PART NO.	AIRLINE PART NUMBER	NOMENCLATURE	EFF CODE	QTY PER ASSY
09-997	P20701		.BEARING-SPHERICAL BALL (V57606) (SPEC S302T001-202B) (OPT VTBO4531 (V06710))	E-H, L-BR, BT,B V-CB, CD-CM CP,CM R-CX, CZ-ED ,EK,E M-ER EX,E Z-HD, HG,HH ,HK-H Q,HS HT,H V-JW, JY,K A-KE, KG KJ-KM	1
998	315T3315-2		.BUSHING	E-H, L-BR, BT,B V-CB, CD-CM CP,CM R-CX, CZ-ED ,EK,E M-ER EX,E Z-HD, HG,HH ,HK-H Q,HS HT,H V-JW, JY,K A-KE, KG KJ-KM	2

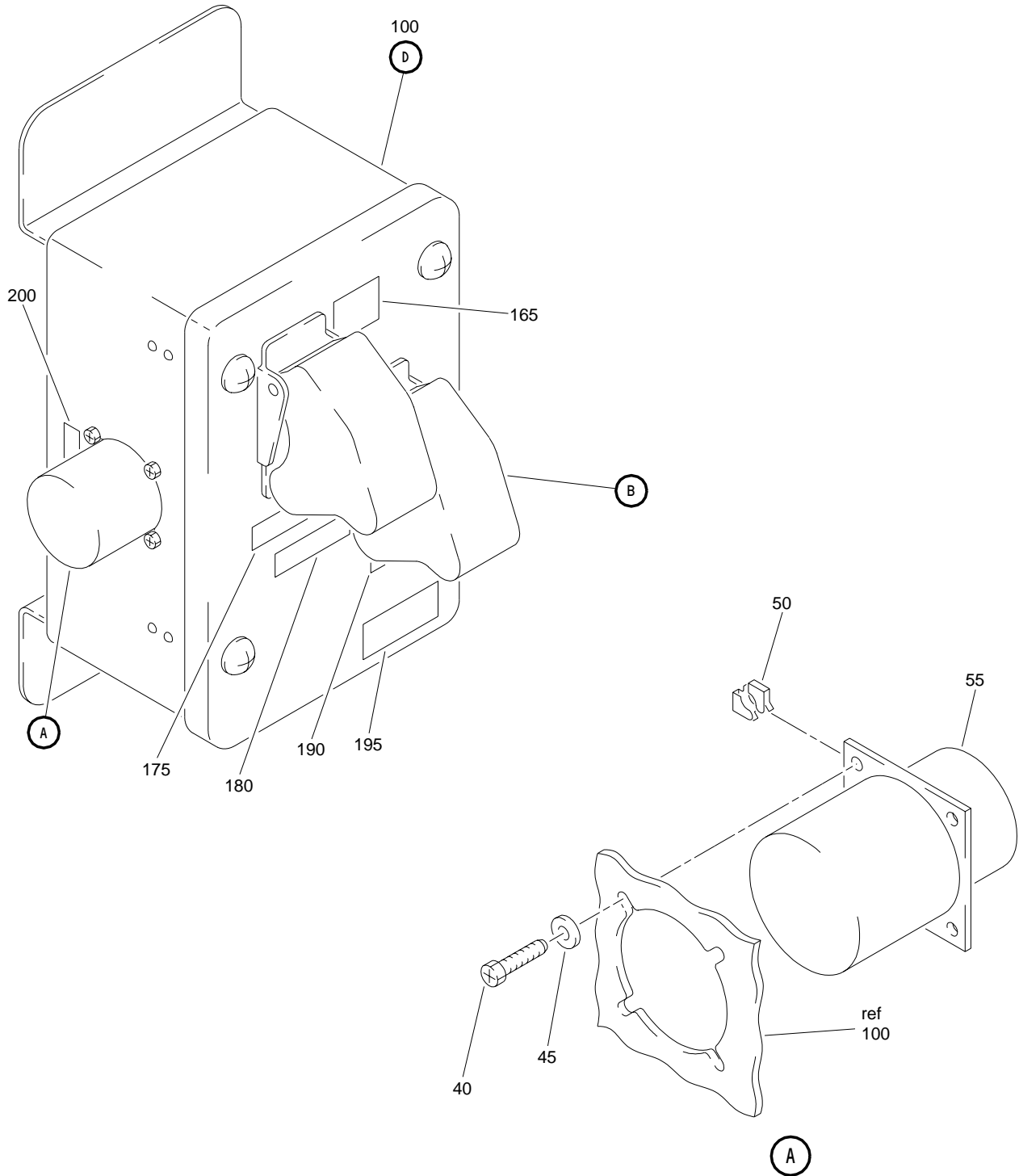
78-31-14

ILLUSTRATED PARTS LIST
 01.1 Page 10760
 Jul 01/04

FIG. & ITEM	PART NO.	AIRLINE PART NUMBER	NOMENCLATURE	EFF CODE	QTY PER ASSY
09-	315T3009-1		.LINK	E-H, L-BR, BT,B V-CB, CD-CM CP,CM R-CX, CZ-ED ,EK,E M-ER EX,E Z-HD, HG,HH ,HK-H Q,HS HT,H V-JW, JY,K A-KE, KG KJ-KM	1

- Item Not Illustrated

78-31-14



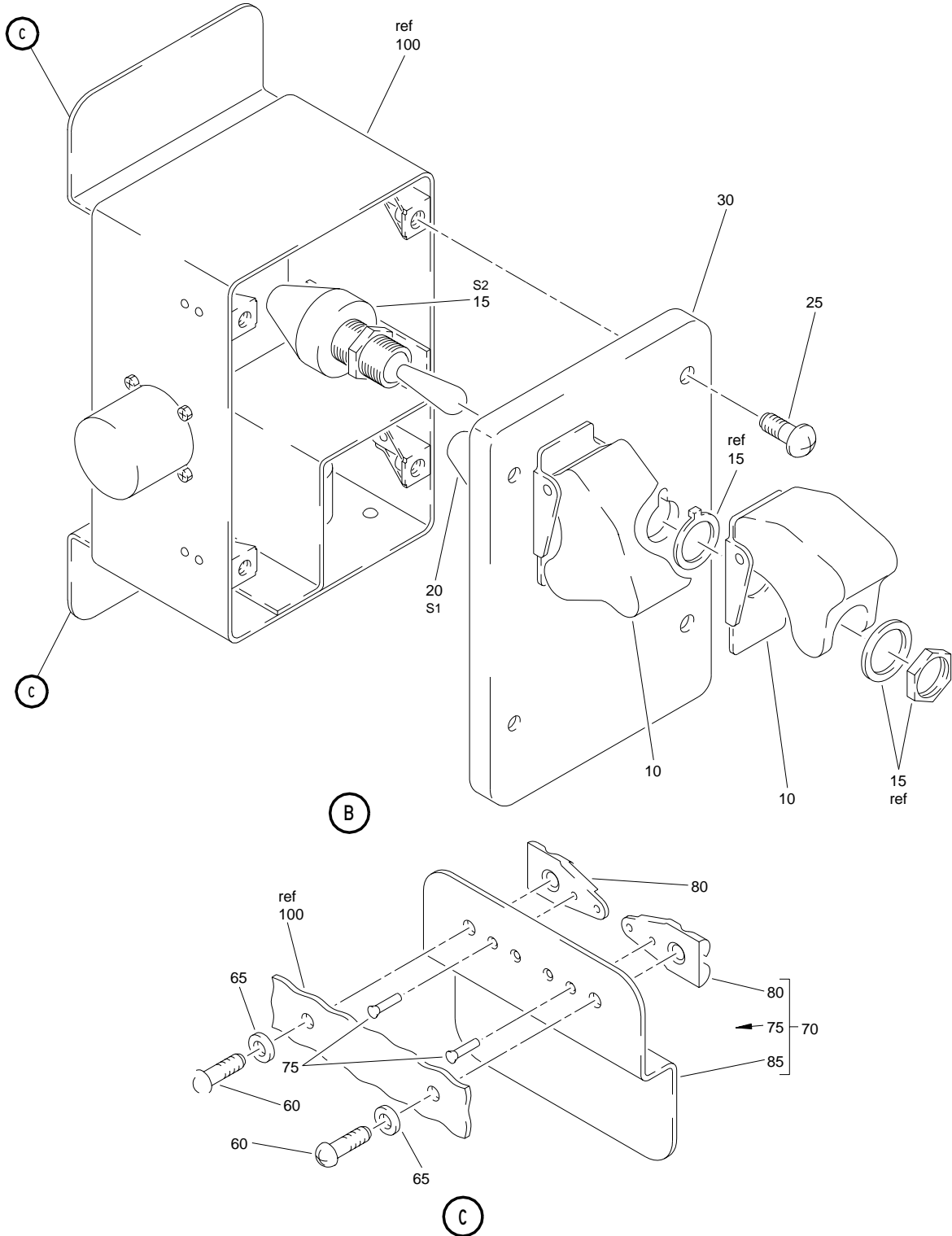
Switch Box Assembly
 Figure 10 (Sheet 1)

78-31-14

ILLUSTRATED PARTS LIST
 01.1 Page 1076R
 Jul 01/04

015T0438
315T3001
315T4726
315T3055

BOEING
COMPONENT
MAINTENANCE MANUAL

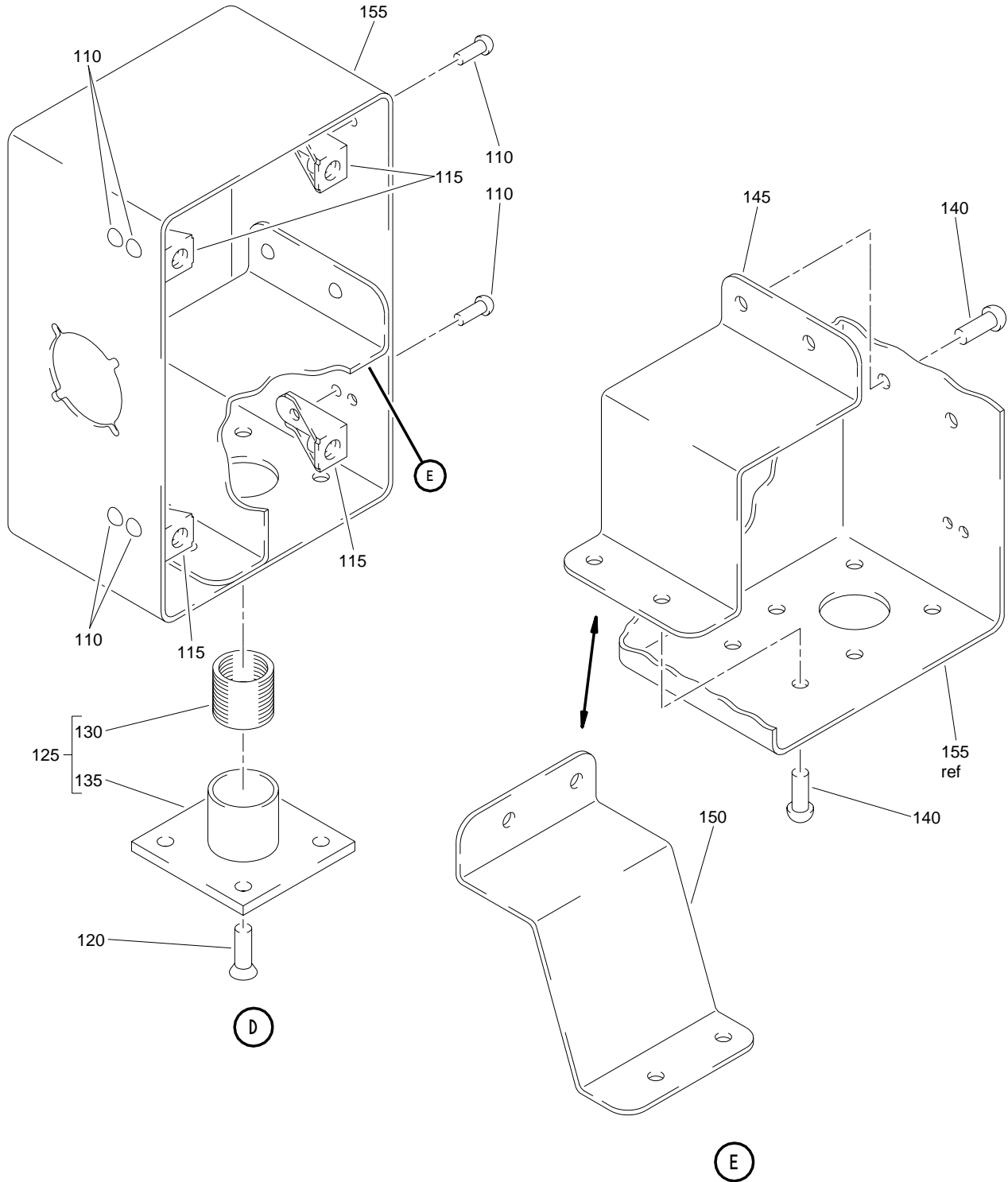


Switch Box Assembly
Figure 10 (Sheet 2)

78-31-14

ILLUSTRATED PARTS LIST
01.1 Page 1076S
Jul 01/04

1482903



Switch Box Assembly
 Figure 10 (Sheet 3)

78-31-14

ILLUSTRATED PARTS LIST
 01.1 Page 1076T
 Jul 01/04

015T0438
 315T3001
 315T4726
 315T3055

 **BOEING**
 COMPONENT
 MAINTENANCE MANUAL

FIG. & ITEM	PART NO.	AIRLINE PART NUMBER	NOMENCLATURE 1234567	EFF CODE	QTY PER ASSY
R 10-1A	315T3055-11		BOX ASSY-SWITCH (POST SB 767-78-0043)	M,P,T ,AA	RF
R -5	315T3055-12		BOX ASSY-SWITCH (POST SB 767-78-0043)	R,W,Y ,AA	RF
R 10	MS25224-3		.GUARD	M,P,R ,T,W, Y,AA, AC	2
R 15	65408		.SWITCH-TOGGLE (V02005) (S2)	M,P,R ,T,W, Y,AA, AC	1
R 20	65407		.SWITCH-TOGGLE (V02005) (S1)	M,P,R ,T,W, Y,AA, AC	1
R 25	AN525-10R6		.SCREW	M,P,R ,T,W, Y,AA, AC	4
R 30	315T3656-17		.COVER	M,P,T ,AA	1
R -35	315T3656-10		.COVER	R,W,Y ,AC	1
R 40	BACS12CB04-5		.SCREW	M,P,R ,T,W, Y,AA, AC	4
R 45	AN960XC4L		.WASHER	M,P,R ,T,W, Y,AA, AC	4
R 50	132003		.NUT- (V76530) (SPEC BACN10XP1)	M,P,R ,T,W, Y,AA, AC	4

78-31-14

ILLUSTRATED PARTS LIST
 01.1 Page 1076U
 Jul 01/04

FIG. & ITEM	PART NO.	AIRLINE PART NUMBER	NOMENCLATURE 1234567	EFF CODE	QTY PER ASSY
R 10-55	R071914-7P		.CONNECTOR- (V41118) (SPEC BACC45FM14-7P) (OPT C48-00R14-7P102 (V13556)) (OPT ZZYAC1714-7P (V49367)) (OPT 48-00R14-7P300 (V02660))	M,P,R ,T,W, Y,AA, AC	1
R 60	BACB30LK3-2		.BOLT	M,P,R ,T,W, Y,AA, AC	4
R 65	AN960KD10L		.WASHER	M,P,R ,T,W, Y,AA, AC	4
R 70	315T3055-13		.BRACKET ASSY	M,P,R ,T,W, Y,AA, AC	2
R 75	BACR15BA3AD		..RIVET- (SIZE DETERMINE ON INST)	M,P,R ,T,W, Y,AA, AC	4
R 80	BRF100C3D		..NUTPLATE- (V52828) (SPEC BACN10KB3CFD) (OPT NS202478-02 (V80539)) (OPT 102F9207P3 (V72962)) (OPT F51604-3 (V15653))	M,P,R ,T,W, Y,AA, AC	2

78-31-14

 ILLUSTRATED PARTS LIST
 01.1 Page 1076V
 Jul 01/04

015T0438
 315T3001
 315T4726
 315T3055

 **BOEING**
 COMPONENT
 MAINTENANCE MANUAL

FIG. & ITEM	PART NO.	AIRLINE PART NUMBER	NOMENCLATURE 1234567	EFF CODE	QTY PER ASSY
R 10-85	315T3202-156		..BRACKET	M,P,R ,T,W, Y,AA, AC	1
R -90	RT876		.SLEEVING- (V06090)	M,P,R ,T,W, Y,AA, AC	AR
R -95	BACT12C		.TERMINAL	M,P,R ,T,W, Y,AA, AC	AR
R 100	315T3656-21		.BOX ASSY	M,P,T ,AA	1
R -105	315T3656-20		.BOX ASSY	R,W,Y ,AC	1
R 110	BACR15BB3AD		..RIVET- (SIZE DETERMINE ON INST)	M,P,R ,T,W, Y,AA, AC	8
R 115	MF6000-3		..NUTPLATE- (V15653) (SPEC BACN10KJ3)	M,P,R ,T,W, Y,AA, AC	4
R 120	BACR15BA5AD		..RIVET- (SIZE DETERMINE ON INST)	M,P,R ,T,W, Y,AA, AC	4
R 125	315T3245-1		..RETAINER ASSY	M,P,R ,T,W, Y,AA, AC	1
R 130	MS21209F8-10		...INSERT	M,P,R ,T,W, Y,AA, AC	1

78-31-14

ILLUSTRATED PARTS LIST
 01.1 Page 1076W
 Jul 01/04

FIG. & ITEM	PART NO.	AIRLINE PART NUMBER	NOMENCLATURE 1234567	EFF CODE	QTY PER ASSY
R 10-135	315T3245-2		...RETAINER	M,P,R ,T,W, Y,AA, AC	1
R 140	BACR15BB4AD		..RIVET- (SIZE DETERMINE ON INST)	M,P,R ,T,W, Y,AA, AC	4
R 145	315T3658-1		..ANGLE	M,P,R ,T,W, Y,AA, AC	1
R 150	315T3658-10		..ANGLE	M,P,R ,T,W, Y,AA, AC	1
R 155	315T3656-7		..BOX-JCT	M,P,T ,AA	1
R -160	315T3656-8		..BOX-JCT	R,W,Y ,AC	1
R 165	BAC27TTR0001		.MARKER-ALUMINUM FOIL- LH COWL	M,P,T ,AA	1
R -170	BAC27TTR0002		.MARKER-ALUMINUM FOIL- RH COWL	R,W,Y ,AC	1
R 175	BAC27TTR0003		.MARKER-ALUMINUM FOIL- OPEN	M,P,R ,T,W, Y,AA, AC	1
R 180	BAC27TTR0008		.MARKER-ALUMINUM FOIL- M580	M,P,T ,AA	1
R -185	BAC27TTR0009		.MARKER-ALUMINUM FOIL- M581	R,W,Y ,AC	1
R 190	BAC27TTR0004		.MARKER-ALUMINUM FOIL- CLOSE	M,P,R ,T,W, Y,AA, AC	1

78-31-14

 ILLUSTRATED PARTS LIST
 01.1 Page 1076X
 Jul 01/04

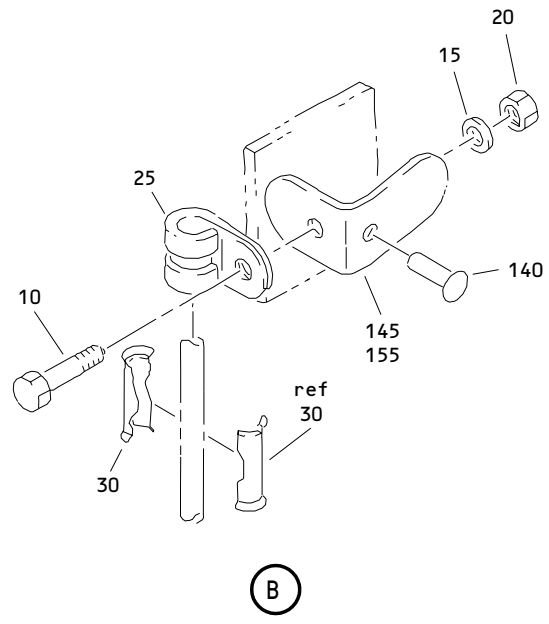
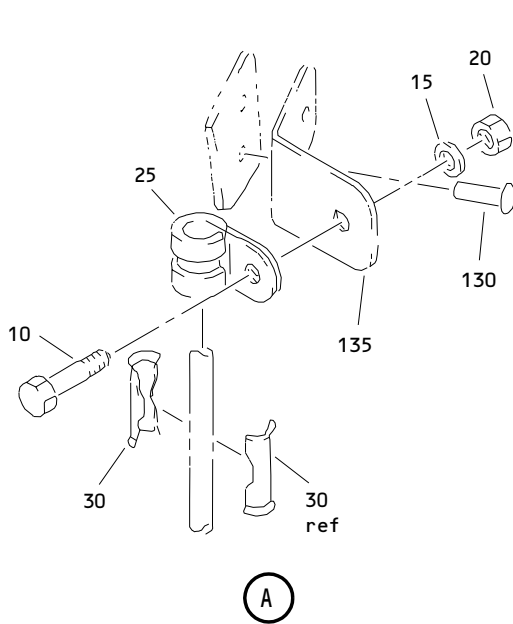
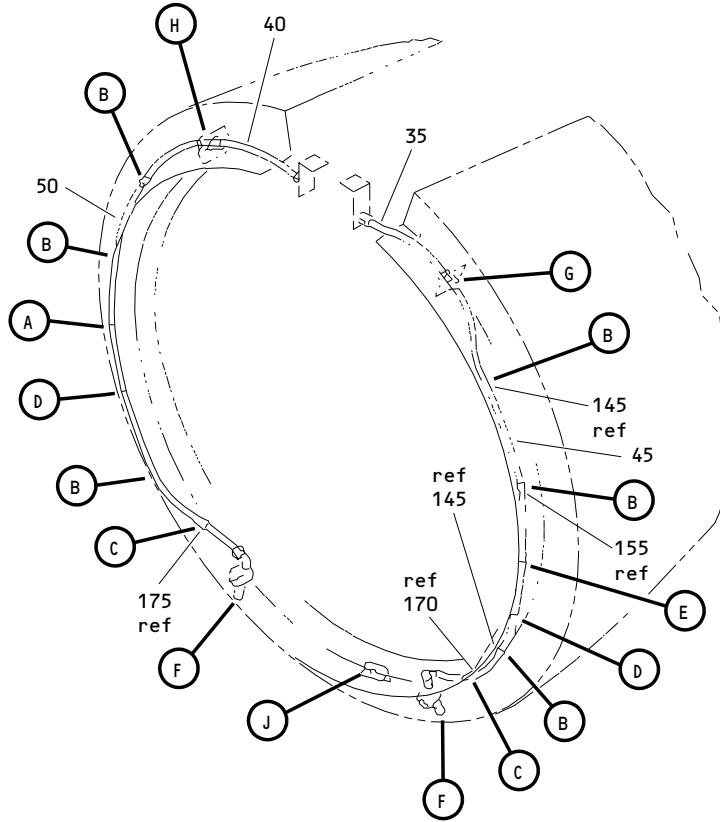
015T0438
 315T3001
 315T4726
 315T3055

 **BOEING**
 COMPONENT
 MAINTENANCE MANUAL

FIG. & ITEM	PART NO.	AIRLINE PART NUMBER	NOMENCLATURE	EFF CODE	QTY PER ASSY
			1234567		
R 10-195	BAC27TTR0006		.MARKER-ALUMINUM FOIL-PIN STORAGE	M,P,R ,T,W Y,AA AC	1
R 200	BAC27TTR0012		.MARKER-ALUMINUM FOIL-M/WD164	M,P,T ,AA	1
R -205	BAC27TTR0013		.MARKER-ALUMINUM FOIL-M/WD166	R,W,Y ,AC	1

- Item Not Illustrated

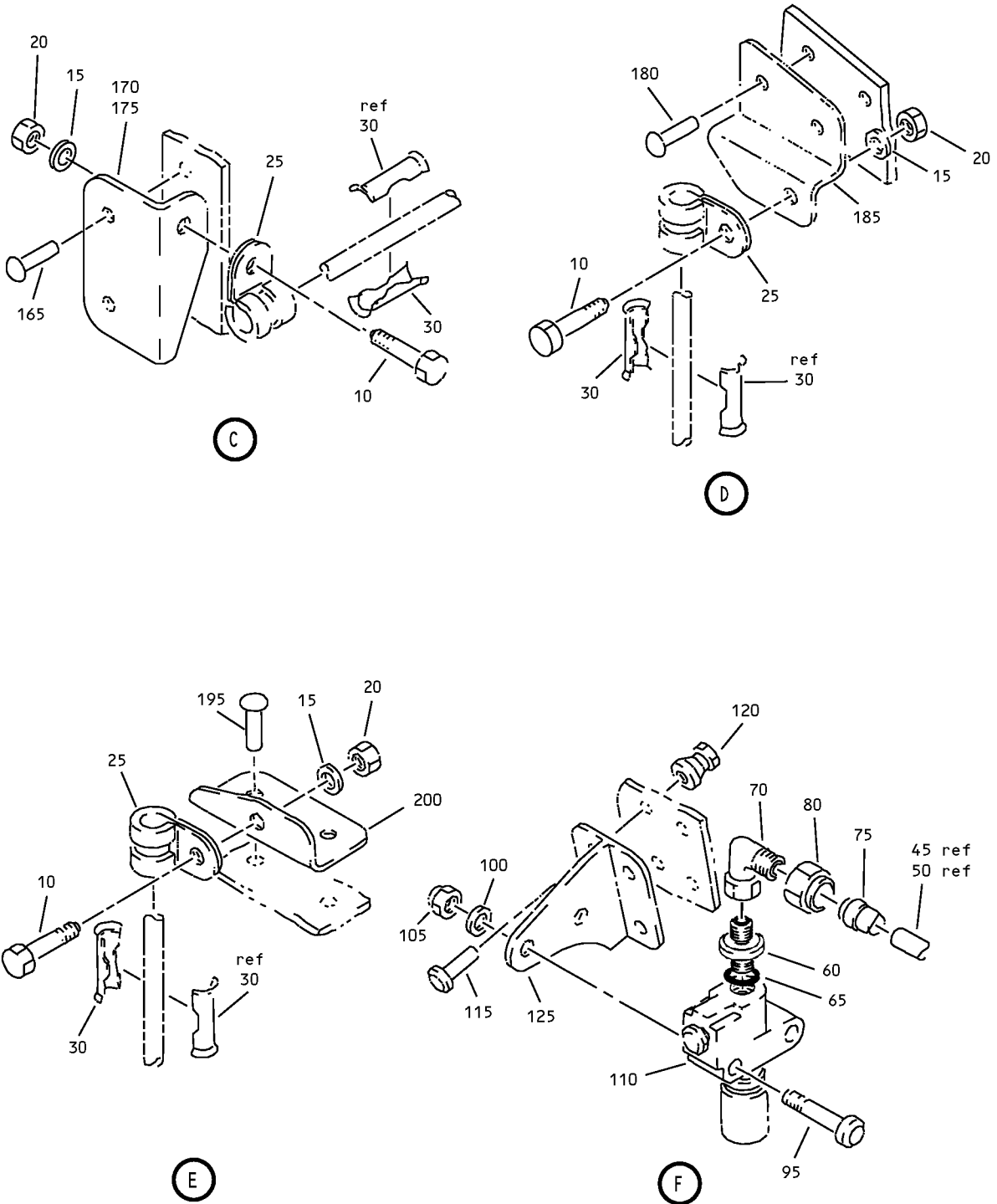
015T0438
 315T3001
 315T4726
 315T3055



Actuator Opening Tubing Installation
 Figure 15 (Sheet 1)

78-31-14

ILLUSTRATED PARTS LIST
 01.1 Page 1077
 Jul 01/04



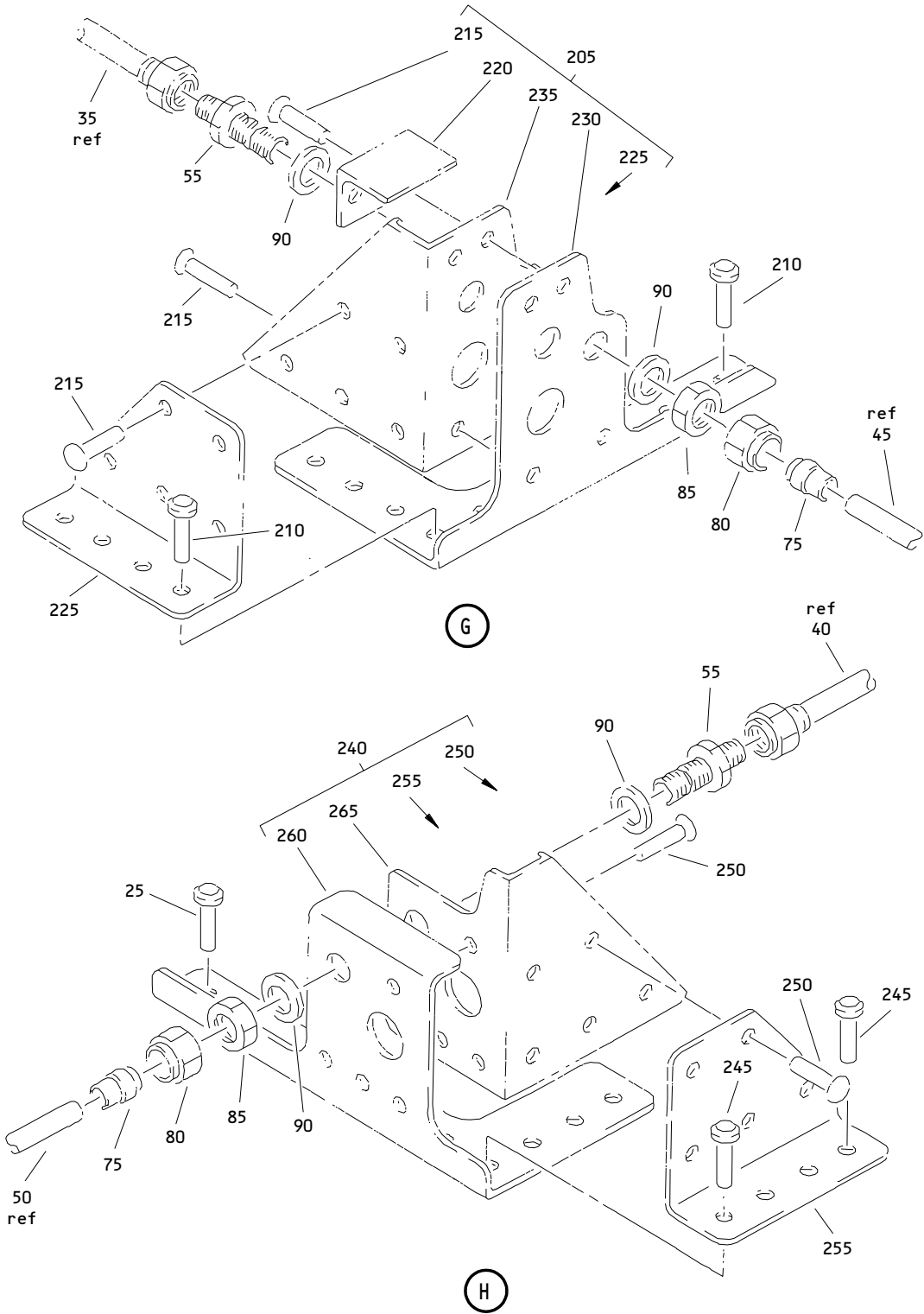
Actuator Opening Tubing Installation
 Figure 15 (Sheet 2)

78-31-14

ILLUSTRATED PARTS LIST
 01.1 Page 1078
 Jul 01/04

015T0438
315T3001
315T4726
315T3055

BOEING
COMPONENT
MAINTENANCE MANUAL

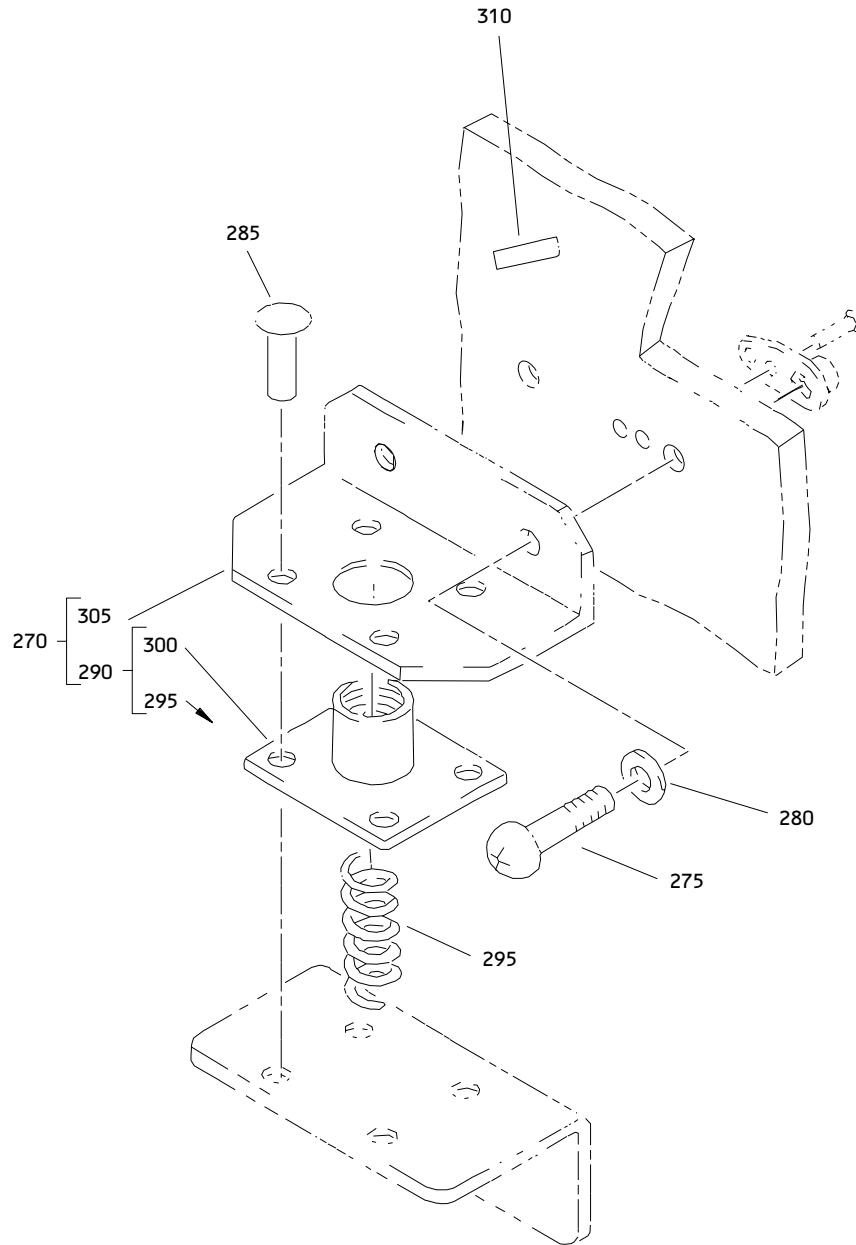


Actuator Opening Tubing Installation
Figure 15 (Sheet 3)

78-31-14

ILLUSTRATED PARTS LIST
01.1 Page 1078A
Jul 01/04

U6636



J

Actuator Opening Tubing Installation
Figure 15 (Sheet 4)

78-31-14

ILLUSTRATED PARTS LIST
01.1 Page 1078B
Jul 01/04

015T0438
 315T3001
 315T4726
 315T3055

 **BOEING**
 COMPONENT
 MAINTENANCE MANUAL

FIG. & ITEM	PART NO.	AIRLINE PART NUMBER	NOMENCLATURE	EFF CODE	QTY PER ASSY
15- -1	315T3154-1		TUBING INSTL-ACTR OPENING	M,P,T ,AA,B W,CA, CS,CW ,DN DQ,EA ,EC, FC,FE ,FS,F U JD-JG ,JM-J Q	RF
-1A	315T3154-25		TUBING INSTL-ACTR OPENING	AJ,AL ,AW,A Y,BA, BC,BF ,BM BY,CU ,FW,F Y,GJ, GL,GN ,GQ GW,HA R,W,Y	RF
-5	315T3154-2		TUBING INSTL-ACTR OPENING	,AC,C F,CL, DB,DC ,DP DR,EB ,ED, FD,FF ,FT,F V JH-JL ,JR-J U	RF

78-31-14

ILLUSTRATED PARTS LIST
 01.1 Page 1078C
 Jul 01/04

FIG. & ITEM	PART NO.	AIRLINE PART NUMBER	NOMENCLATURE	EFF CODE	QTY PER ASSY
15- -5A	315T3154-26		1234567 TUBING INSTL-ACTR OPENING	AK,AM ,AX,A Z,BB, BD,BJ ,BQ CJ,DE ,FX,F Z,GK, GM,GP ,GR GZ,HB ,HD	RF
10	NAS6703-3		.BOLT	M,P,R ,T,W, Y,AA, AC,A J-AM AW-BD ,BF,B J,BM, BQ,BW ,BY CA,CF ,CJ,C L,CS, CU,CW ,DB DC,DE ,DN-D R,E A-ED, FC-FF FS-FZ ,GJ-G R,GW, GZ,HA ,HB HD,J D-JU	6

78-31-14

 ILLUSTRATED PARTS LIST
 01.1 Page 1078D
 Jul 01/04

015T0438
 315T3001
 315T4726
 315T3055

 **BOEING**
 COMPONENT
 MAINTENANCE MANUAL

FIG. & ITEM	PART NO.	AIRLINE PART NUMBER	NOMENCLATURE	EFF CODE	QTY PER ASSY
15-15	AN960C10L		1234567 .WASHER	M,P,R ,T,W, Y,AA, AC,A J-AM AW-BD ,BF,B J,BM, BQ,BW ,BY CA,CF ,CJ,C L,CS, CU,CW ,DB DC,DE ,DN-D R,E A-ED, FC-FF FS-FZ ,GJ-G R,GW, GZ,HA ,HB HD,J D-JU	6

78-31-14

ILLUSTRATED PARTS LIST
 01.1 Page 1078E
 Jul 01/04

FIG. & ITEM	PART NO.	AIRLINE PART NUMBER	NOMENCLATURE	EFF CODE	QTY PER ASSY
15-20	H10-3BAC		1234567 .NUT- (V15653) (SPEC BACN10JC3) (OPT NS202101-02 (V80539)) (OPT RMLH9075-3W (V72962)) (OPT T6S1032J (V71087)) (OPT VN303A02 (V92215)) (OPT 96-02 (V80539)) (OPT BRH10A3 (V52828))	M,P,R ,T,W, Y,AA, AC,A J-AM AW-BD ,BF,B J,BM, BQ,BW ,BY CA,CF ,CJ,C L,CS, CU,CW ,DB DC,DE ,DN-D R,E A-ED, FC-FF FS-FZ ,GJ-G R,GW, GZ,HA ,HB HD,J D-JU	6

78-31-14

 ILLUSTRATED PARTS LIST
 01.1 Page 1078F
 Jul 01/04

015T0438
 315T3001
 315T4726
 315T3055

 **BOEING**
 COMPONENT
 MAINTENANCE MANUAL

FIG. & ITEM	PART NO.	AIRLINE PART NUMBER	NOMENCLATURE	EFF CODE	QTY PER ASSY
15-25	JM44LC13WS4R		1234567 .CLAMP- (V22175) (SPEC BACC10GE4) (OPT S369WH4 (V18076)) (OPT TA12C32WS4 (V84971)) (OPT 509S4 (V83930))	M,P,R ,T,W, Y,AA, AC,A J-AM AW-BD ,BF,B J,BM, BQ,BW ,BY CA,CF ,CJ,C L,CS, CU,CW ,DB DC,DE ,DN-D R,E A-ED, FC-FF FS-FZ ,GJ-G R,GW, GZ,HA ,HB HD,J D-JU	6

78-31-14

ILLUSTRATED PARTS LIST
 01.1 Page 1078G
 Jul 01/04

FIG. & ITEM	PART NO.	AIRLINE PART NUMBER	NOMENCLATURE	EFF CODE	QTY PER ASSY
15-30	BACC10GT2-04P		.CLAMPSHELL	M,P,R ,T,W, Y,AA, AC,A J-AM AW-BD ,BF,B J,BM, BQ,BW ,BY CA,CF ,CJ,C L,CS, CU,CW ,DB DC,DE ,DN-D R,E A-ED, FC-FF FS-FZ ,GJ-G R,GW, GZ,HA ,HB HD,J D-JU	6

78-31-14

ILLUSTRATED PARTS LIST
 01.1 Page 1078H
 Jul 01/04

015T0438
 315T3001
 315T4726
 315T3055

BOEING
 COMPONENT
 MAINTENANCE MANUAL

FIG. & ITEM	PART NO.	AIRLINE PART NUMBER	NOMENCLATURE 1234567	EFF CODE	QTY PER ASSY
15-35	AE2463835E0160		.HOSE ASSY- (V00624)	M,P,T ,AA,A ,J,AL, ,AW,AY ,BA ,BC,BF ,BM,B ,W,BY, ,CA,CS ,CU ,CW,DN ,DW, ,EA,EC ,FC, ,FE,FS ,FU,FW ,FY,G ,J,GL, ,GN,GQ ,GW ,JD-JG ,JM-J Q	1
40	AE2463835E0152		.HOSE ASSY- (V00624)	R,W,Y ,AC,C ,F,CL, ,DB,DC ,DP ,DR,EB ,ED, ,FD,FF ,FT,F V ,JH-JL ,JR-J U	1

78-31-14

ILLUSTRATED PARTS LIST
 01.1 Page 1078I
 Jul 01/04

FIG. & ITEM	PART NO.	AIRLINE PART NUMBER	NOMENCLATURE	EFF CODE	QTY PER ASSY
15-40A	AE2463835E0160		.HOSE ASSY- (V00624)	AK,AM ,AX,A Z,BB, BD,BJ ,BQ CJ,DE ,FX,F Z,GK, GM,GP ,GR GZ,HB ,HD	1
45	315T3154-3		.TUBE ASSY- (MFD FROM CRES TUBE 21-6-9 BMS7-185 0.250 IN. OD X 0.016 IN. WALL X 110.0 IN. LG) (PRE SB 767-78-0061) (PRE SB 767-78-0043)	M,P,T ,AA,A J,AL, AW,AY ,BA BC,BF ,BM,B W,BY, CA,CS ,CU CW,J D-JG, JM-JQ	1
-45A	315T3154-47		.TUBE ASSY- (MFD FROM CRES TUBE 21-6-9 BMS7-185 0.250 IN. OD X 0.016 IN. WALL X 110.0 IN. LG) (POST SB 767-78-0061)	DN,DQ ,EA, EC,FC ,FE,F S,FU FW,FY ,GJ,G L,GN, GQ,GW ,HA	1

78-31-14

 ILLUSTRATED PARTS LIST
 01.1 Page 1078J
 Jul 01/04

015T0438
 315T3001
 315T4726
 315T3055

 **BOEING**
 COMPONENT
 MAINTENANCE MANUAL

FIG. & ITEM	PART NO.	AIRLINE PART NUMBER	NOMENCLATURE	EFF CODE	QTY PER ASSY
15- -45B	315T3154-49		.TUBE ASSY- (MFD FROM CRES TUBE 21-6-9 BMS7-185 0.250 IN. OD X 0.016 IN. WALL X 110.0 IN. LG) (POST SB 767-78-0061)	DN,DQ ,EA, EC,FC ,FE,F S,FU FW,FY ,GJ,G L,GN, GQ,GW ,HA	1
50	315T3154-20		.TUBE ASSY- (MFD FROM CRES TUBE 21-6-9 BMS7-185 0.250 IN. OD X 0.016 IN. WALL X 110.0 IN. LG) (PRE SB 767-78-0061) (PRE SB 767-78-0043)	R,W,Y ,AC,A K,AM, AX,AZ ,BB BD,BJ ,BQ,C F,CJ, CL,DB ,DC DE,J H-JL, JR-JU	1
-50A	315T3154-48		.TUBE ASSY- (MFD FROM CRES TUBE 21-6-9 BMS7-185 0.250 IN. OD X 0.016 IN. WALL X 110.0 IN. LG) (POST SB 767-78-0061)	DP,DR ,EB, ED,FD ,FF,F T,FV FX,FZ ,GK,G M,GP, GR,GZ ,HB HDB	1

78-31-14

ILLUSTRATED PARTS LIST
 01.1 Page 1078K
 Jul 01/04

FIG. & ITEM	PART NO.	AIRLINE PART NUMBER	NOMENCLATURE	EFF CODE	QTY PER ASSY
15-50B	315T3154-50		.TUBE ASSY- (MFD FROM CRES TUBE 21-6-9 BMS7-185 0.250 IN. OD X 0.016 IN. WALL X 110.0 IN. LG) (POST SB 767-78-0061)	DP,DR ,EB, ED,FD ,FF,F T,FV FX,FZ ,GK,G M,GP, GR,GZ ,HB HDB	1
55	AFP238-0405J		.UNION- (V30974) (SPEC BACU24AA0405J) (OPT ER832-0405J (V50948)) (OPT LER832-0405J (V11328)) (OPT 2-010890405J (V11328)) (OPT APX832-0405J (V01673)) (OPT DBOU24AA0405J (V61498)) (OPT FER1579-0405J (V14397)) (OPT US2113-0405J (V50808)) (OPT APX932J0405 (V01673))	M,P,R ,T,W, Y,AA, AC,A J-AM AW-BD ,BF,B J,BM, BQ,BW ,BY CA,CF ,CJ,C L,CS, CU,CW ,DB DC,DE ,DN-D R,E A-ED, FC-FF FS-FZ ,GJ-G R,GW, GZ,HA ,HB HD,J D-JU	1

78-31-14

 ILLUSTRATED PARTS LIST
 01.1 Page 1078L
 Jul 01/04

015T0438
 315T3001
 315T4726
 315T3055

 **BOEING**
 COMPONENT
 MAINTENANCE MANUAL

FIG. & ITEM	PART NO.	AIRLINE PART NUMBER	NOMENCLATURE	EFF CODE	QTY PER ASSY
15-60	MS21902J4		1234567 UNION	M,P,R ,T,W, Y,AA, AC,A J-AM AW-BD ,BF,B J,BM, BQ,BW ,BY CA,CF ,CJ,C L,CS, CU,CW ,DB DC,DE ,DN-D R,E A-ED, FC-FF FS-FZ ,GJ-G R,GW, GZ,HA ,HB HD,J D-JU	1

78-31-14

ILLUSTRATED PARTS LIST
 01.1 Page 1078M
 Jul 01/04

FIG. & ITEM	PART NO.	AIRLINE PART NUMBER	NOMENCLATURE	EFF CODE	QTY PER ASSY
15-65	M83248-1-012		.PACKING	M,P,R ,T,W, Y,AA, AC,A J-AM AW-BD ,BF,B J,BM, BQ,BW ,BY CA,CF ,CJ,C L,CS, CU,CW ,DB DC,DE ,DN-D R,E A-ED, FC-FF FS-FZ ,GJ-G R,GW, GZ,HA ,HB HD,J D-JU	1

78-31-14

ILLUSTRATED PARTS LIST
 01.1 Page 1078N
 Jul 01/04

015T0438
 315T3001
 315T4726
 315T3055

 **BOEING**
 COMPONENT
 MAINTENANCE MANUAL

FIG. & ITEM	PART NO.	AIRLINE PART NUMBER	NOMENCLATURE	EFF CODE	QTY PER ASSY
15-70	AP1010JM0404M		1234567 .ELBOW- (V01673) (SPEC BACE21AW0404M) (OPT AP1010-0404M (V01673)) (OPT DBOE21AW0404M (V14798)) (OPT ER10633M0404 (V88334)) (OPT FER1569-0404M (V14397)) (OPT W30833-0404M (V11328)) (OPT 4671114-0404M (V50948)) (OPT AFP334-0404M (V30974)) (OPT DBOE21AW0404M (V61498)) (OPT ER10633M0404M (V88334)) (OPT US2109-0404M (V50808)) (OPT AFP344-0404M (V30974))	M,P,R ,T,W, Y,AA, AC,A J-AM AW-BD ,BF,B J,BM, BQ,BW ,BY CA,CF ,CJ,C L,CS, CU,CW ,DB DC,DE ,DN-D R,E A-ED, FC-FF FS-FZ ,GJ-G R,GW, GZ,HA ,HB HD,J D-JU	1

78-31-14

ILLUSTRATED PARTS LIST
 01.1 Page 10780
 Jul 01/04

FIG. & ITEM	PART NO.	AIRLINE PART NUMBER	NOMENCLATURE	EFF CODE	QTY PER ASSY
15-75	DB0S13BX04H		1234567 .SLEEVE- (V14798) (SPEC BACS13BX04H) (OPT 2-02903-04H (V11328)) (OPT 35235V04 (V08199)) (OPT AP2097-04H (V01673)) (OPT AFP175V04 (V30974))	M,P,R ,T,W, Y,AA, AC,A J-AM AW-BD ,BF,B J,BM, BQ,BW ,BY CA,CF ,CJ,C L,CS, CU,CW ,DB DC,DE ,DN-D R,E A-ED, FC-FF FS-FZ ,GJ-G R,GW, GZ,HA ,HB HD,J D-JU	2

78-31-14

ILLUSTRATED PARTS LIST
 01.1 Page 1078P
 Jul 01/04

015T0438
 315T3001
 315T4726
 315T3055

 **BOEING**
 COMPONENT
 MAINTENANCE MANUAL

FIG. & ITEM	PART NO.	AIRLINE PART NUMBER	NOMENCLATURE	EFF CODE	QTY PER ASSY
15-80	MS21921-4J		.NUT	M,P,R ,T,W, Y,AA, AC,A J-AM AW-BD ,BF,B J,BM, BQ,BW ,BY CA,CF ,CJ,C L,CS, CU,CW ,DB DC,DE ,DN-D R,E A-ED, FC-FF FS-FZ ,GJ-G R,GW, GZ,HA ,HB HD,J D-JU	2

78-31-14

ILLUSTRATED PARTS LIST
 01.1 Page 1078Q
 Jul 01/04

FIG. & ITEM	PART NO.	AIRLINE PART NUMBER	NOMENCLATURE	EFF CODE	QTY PER ASSY
15-85	AN924-4J		.NUT	M,P,R ,T,W, Y,AA, AC,A J-AM AW-BD ,BF,B J,BM, BQ,BW ,BY CA,CF ,CJ,C L,CS, CU,CW ,DB DC,DE ,DN-D R,E A-ED, FC-FF FS-FZ ,GJ-G R,GW, GZ,HA ,HB HD,J D-JU	1

78-31-14

015T0438
 315T3001
 315T4726
 315T3055

 **BOEING**
 COMPONENT
 MAINTENANCE MANUAL

FIG. & ITEM	PART NO.	AIRLINE PART NUMBER	NOMENCLATURE	EFF CODE	QTY PER ASSY
15-90	AN960C716		1234567 .WASHER	M,P,R ,T,W, Y,AA, AC,A J-AM AW-BD ,BF,B J,BM, BQ,BW ,BY CA,CF ,CJ,C L,CS, CU,CW ,DB DC,DE ,DN-D R,E A-ED, FC-FF FS-FZ ,GJ-G R,GW, GZ,HA ,HB HD,J D-JU	2

78-31-14

ILLUSTRATED PARTS LIST
 01.1 Page 1078S
 Jul 01/04

FIG. & ITEM	PART NO.	AIRLINE PART NUMBER	NOMENCLATURE	EFF CODE	QTY PER ASSY
15-95	BACB30NM4K15		.BOLT	M,P,R ,T,W, Y,AA, AC,A J-AM AW-BD ,BF,B J,BM, BQ,BW ,BY CA,CF ,CJ,C L,CS, CU,CW ,DB DC,DE ,DN-D R,E A-ED, FC-FF FS-FZ ,GJ-G R,GW, GZ,HA ,HB HD,J D-JU	2

78-31-14

015T0438
 315T3001
 315T4726
 315T3055

 **BOEING**
 COMPONENT
 MAINTENANCE MANUAL

FIG. & ITEM	PART NO.	AIRLINE PART NUMBER	NOMENCLATURE	EFF CODE	QTY PER ASSY
15-100	AN960C416		1234567 .WASHER	M,P,R ,T,W, Y,AA, AC,A J-AM AW-BD ,BF,B J,BM, BQ,BW ,BY CA,CF ,CJ,C L,CS, CU,CW ,DB DC,DE ,DN-D R,E A-ED, FC-FF FS-FZ ,GJ-G R,GW, GZ,HA ,HB HD,J D-JU	2

78-31-14

ILLUSTRATED PARTS LIST
 01.1 Page 1078U
 Jul 01/04

FIG. & ITEM	PART NO.	AIRLINE PART NUMBER	NOMENCLATURE	EFF CODE	QTY PER ASSY
15-105	NAS1804-4		.NUT	M,P,R ,T,W, Y,AA, AC,A J-AM AW-BD ,BF,B J,BM, BQ,BW ,BY CA,CF ,CJ,C L,CS, CU,CW ,DB DC,DE ,DN-D R,E A-ED, FC-FF FS-FZ ,GJ-G R,GW, GZ,HA ,HB HD,J D-JU	2

78-31-14

ILLUSTRATED PARTS LIST
 01.1 Page 1078V
 Jul 01/04

015T0438
 315T3001
 315T4726
 315T3055

 **BOEING**
 COMPONENT
 MAINTENANCE MANUAL

FIG. & ITEM	PART NO.	AIRLINE PART NUMBER	NOMENCLATURE	EFF CODE	QTY PER ASSY
15-110	0111153-007		1234567 .MANIFOLD ASSY- (V98391) (OPT ITEM 110A) (PRE SB 767-78-0043)	M,P,R ,T,W, Y,AA, AC,A J-AM AW-BD ,BF,B J,BM, BQ,BW ,BY CA,CF ,CJ,C L,CS, CU,CW ,DB DC,DE ,DN-D R,E A-ED, FC-FF FS-FZ ,GJ-G R,GW, GZ,HA ,HB HD,J D-JU	1

78-31-14

ILLUSTRATED PARTS LIST
 01.1 Page 1078W
 Jul 01/04

FIG. & ITEM	PART NO.	AIRLINE PART NUMBER	NOMENCLATURE 1234567	EFF CODE	QTY PER ASSY
15- -110A	0111153-010		.MANIFOLD ASSY- (V98391) (OPT ITEM 110) (PRE SB 767-78-0043)	M,P,R ,T,W, Y,AA, AC,A J-AM AW-BD ,BF,B J,BM, BQ,BW ,BY CA,CF ,CJ,C L,CS, CU,CW ,DB DC,DE ,DN-D R,E A-ED, FC-FF FS-FZ ,GJ-G R,GW, GZ,HA ,HB HD,J D-JU	1
115	HL10VAZ6-4		.BOLT- (V60516) (SPEC BACB30MY6K4) (OPT B30MY6K4 (V97928))	M,P,R ,T,W, Y,AA, AC,BW ,CA CF,CL ,CS,C W,DB, DC,D N-DR EA-ED ,FC-F F,F S-FV, JD-JU	4

78-31-14

 ILLUSTRATED PARTS LIST
 01.1 Page 1078X
 Jul 01/04

015T0438
 315T3001
 315T4726
 315T3055

 **BOEING**
 COMPONENT
 MAINTENANCE MANUAL

FIG. & ITEM	PART NO.	AIRLINE PART NUMBER	NOMENCLATURE	EFF CODE	QTY PER ASSY
15-120	HL79-6		1234567 .COLLAR- (V5M902) (SPEC BACC30M6) (OPT HL79-6 (V73197)) (OPT HL79-6 (V92215)) (OPT 66014-6 (V56878)) (OPT HL79-6 (V56878))	M,P,R ,T,W, Y,AA, AC,BW ,CA CF,CL ,CS,C W,DB, DC,D N-DR EA-ED ,FC-F F,F S-FV, JD-JU	4
125	315T3154-11		.BRACKET	M,P,R ,T,W, Y,AA, AC,BW ,CA CF,CL ,CS,C W,DB, DC,D N-DR EA-ED ,FC-F F,F S-FV, JD-JU	1

78-31-14

ILLUSTRATED PARTS LIST
 01.1 Page 1078Y
 Jul 01/04

FIG. & ITEM	PART NO.	AIRLINE PART NUMBER	NOMENCLATURE	EFF CODE	QTY PER ASSY
15-130	BACR15BB5AD		1234567 .RIVET- (SIZE DETERMINE ON INST)	R,W,Y ,AC,A K,AM, AX,AZ ,BB BD,BJ ,BQ,C F,CJ, CL,DB ,DC DE,DP ,DR, EB,ED ,FD,F F,FT FV,FX ,FZ,G K,GM, GP,GR ,GZ HB,HD ,JH-J L,J R-JU	2

78-31-14

 ILLUSTRATED PARTS LIST
 01.1 Page 1078Z
 Jul 01/04

015T0438
 315T3001
 315T4726
 315T3055

 **BOEING**
 COMPONENT
 MAINTENANCE MANUAL

FIG. & ITEM	PART NO.	AIRLINE PART NUMBER	NOMENCLATURE	EFF CODE	QTY PER ASSY
15-135	315T3154-12		1234567 .CLIP	R,W,Y ,AC,A K,AM, AX,AZ ,BB BD,BJ ,BQ,C F,CJ, CL,DB ,DC DE,DP ,DR, EB,ED ,FD,F F,FT FV,FX ,FZ,G K,GM, GP,GR ,GZ HB,HD ,JH-J L,J R-JU	1

78-31-14

ILLUSTRATED PARTS LIST
 01.1 Page 1079
 Jul 01/04

FIG. & ITEM	PART NO.	AIRLINE PART NUMBER	NOMENCLATURE	EFF CODE	QTY PER ASSY
15-140	BACR15BB5AD		1234567 .RIVET- (SIZE DETERMINE ON INST)	M,P,R ,T,W, Y,AA, AC,A J-AM AW-BD ,BF,B J,BM, BQ,BW ,BY CA,CF ,CJ,C L,CS, CU,CW ,DB DC,DE ,DN-D R,E A-ED, FC-FF FS-FZ ,GJ-G R,GW, GZ,HA ,HB HD,J D-JU	6

78-31-14

 ILLUSTRATED PARTS LIST
 01.1 Page 1080
 Jul 01/04

015T0438
 315T3001
 315T4726
 315T3055

 **BOEING**
 COMPONENT
 MAINTENANCE MANUAL

FIG. & ITEM	PART NO.	AIRLINE PART NUMBER	NOMENCLATURE	EFF CODE	QTY PER ASSY
15-145	315T3154-15		1234567 .CLIP	M,P,T ,AA,A J,AL, AW,AY ,BA BC,BF ,BM,B W,BY, CA,CS ,CU CW,DN ,DQ, EA,EC ,FC, FE,FS FU,FW ,FY,G J,GL, GN,GQ ,GW HA,J D-JG, JM-JQ	2

78-31-14

ILLUSTRATED PARTS LIST
 01.1 Page 1080A
 Jul 01/04

FIG. & ITEM	PART NO.	AIRLINE PART NUMBER	NOMENCLATURE	EFF CODE	QTY PER ASSY
15-150	315T3154-16		.CLIP	R,W,Y ,AC,A K,AM, AX,AZ ,BB BD,BJ ,BQ,C F,CJ, CL,DB ,DC DE,DP ,DR, EB,ED ,FD,F F,FT FV,FX ,FZ,G K,GM, GP,GR ,GZ HB,HD ,JH-J L,J R-JU	2

78-31-14

015T0438
 315T3001
 315T4726
 315T3055

 **BOEING**
 COMPONENT
 MAINTENANCE MANUAL

FIG. & ITEM	PART NO.	AIRLINE PART NUMBER	NOMENCLATURE	EFF CODE	QTY PER ASSY
15-155	315T3154-16		1234567 .CLIP	M,P,T ,AA,A J,AL, AW,AY ,BA BC,BF ,BM,B W,BY, CA,CS ,CU CW,DN ,DQ, EA,EC ,FC, FE,FS FU,FW ,FY,G J,GL, GN,GQ ,GW HA,J D-JG, JM-JQ	1

78-31-14

ILLUSTRATED PARTS LIST
 01.1 Page 1080C
 Jul 01/04

FIG. & ITEM	PART NO.	AIRLINE PART NUMBER	NOMENCLATURE	EFF CODE	QTY PER ASSY
15-160	315T3154-15		.CLIP	R,W,Y ,AC,A K,AM, AX,AZ ,BB BD,BJ ,BQ,C F,CJ, CL,DB ,DC DE,DP ,DR, EB,ED ,FD,F F,FT FV,FX ,FZ,G K,GM, GP,GR ,GZ HB,HD ,JH-J L,J R-JU	1

78-31-14

 ILLUSTRATED PARTS LIST
 01.1 Page 1080D
 Jul 01/04

015T0438
 315T3001
 315T4726
 315T3055

 **BOEING**
 COMPONENT
 MAINTENANCE MANUAL

FIG. & ITEM	PART NO.	AIRLINE PART NUMBER	NOMENCLATURE	EFF CODE	QTY PER ASSY
15-165	BACR15BB6AD		1234567 .RIVET- (SIZE DETERMINE ON INST)	M,P,R ,T,W, Y,AA, AC,A J-AM AW-BD ,BF,B J,BM, BQ,BW ,BY CA,CF ,CJ,C L,CS, CU,CW ,DB DC,DE ,DN-D R,E A-ED, FC-FF FS-FZ ,GJ-G R,GW, GZ,HA ,HB HD,J D-JU	2

78-31-14

ILLUSTRATED PARTS LIST
 01.1 Page 1080E
 Jul 01/04

FIG. & ITEM	PART NO.	AIRLINE PART NUMBER	NOMENCLATURE	EFF CODE	QTY PER ASSY
15-170	315T3154-13		.CLIP	M,P,T ,AA,A ,J,AL, ,AW,AY ,BA ,BC,BF ,BM,B ,W,BY, ,CA,CS ,CU ,CW,DN ,DQ, ,EA,EC ,FC, ,FE,FS ,FU,FW ,FY,G ,J,GL, ,GN,GQ ,GW ,HA,J ,D-JG, ,JM-JQ	1

78-31-14

ILLUSTRATED PARTS LIST
 01.1 Page 1080F
 Jul 01/04

015T0438
 315T3001
 315T4726
 315T3055

 **BOEING**
 COMPONENT
 MAINTENANCE MANUAL

FIG. & ITEM	PART NO.	AIRLINE PART NUMBER	NOMENCLATURE	EFF CODE	QTY PER ASSY
15-175	315T3154-14		.CLIP	R,W,Y ,AC,A K,AM, AX,AZ ,BB BD,BJ ,BQ,C F,CJ, CL,DB ,DC DE,DP ,DR, EB,ED ,FD,F F,FT FV,FX ,FZ,G K,GM, GP,GR ,GZ HB,HD ,JH-J L,J R-JU	1

78-31-14

ILLUSTRATED PARTS LIST
 01.1 Page 1080G
 Jul 01/04

FIG. & ITEM	PART NO.	AIRLINE PART NUMBER	NOMENCLATURE	EFF CODE	QTY PER ASSY
15-180	BACR15BB6AD		1234567 .RIVET- (SIZE DETERMINE ON INST)	M,P,R ,T,W, Y,AA, AC,A J-AM AW-BD ,BF,B J,BM, BQ,BW ,BY CA,CF ,CJ,C L,CS, CU,CW ,DB DC,DE ,DN-D R,E A-ED, FC-FF FS-FZ ,GJ-G R,GW, GZ,HA ,HB HD,J D-JU	2

78-31-14

ILLUSTRATED PARTS LIST
 01.1 Page 1080H
 Jul 01/04

015T0438
 315T3001
 315T4726
 315T3055

 **BOEING**
 COMPONENT
 MAINTENANCE MANUAL

FIG. & ITEM	PART NO.	AIRLINE PART NUMBER	NOMENCLATURE	EFF CODE	QTY PER ASSY
15-185	315T3154-17		1234567 .BRACKET	M,P,T ,AA,A J,AL, AW,AY ,BA BC,BF ,BM,B W,BY, CA,CS ,CU CW,DN ,DQ, EA,EC ,FC, FE,FS FU,FW ,FY,G J,GL, GN,GQ ,GW HA,J D-JG, JM-JQ	1

78-31-14

ILLUSTRATED PARTS LIST
 01.1 Page 1080I
 Jul 01/04

FIG. & ITEM	PART NO.	AIRLINE PART NUMBER	NOMENCLATURE	EFF CODE	QTY PER ASSY
15-190	315T3154-18		1234567 .BRACKET	R,W,Y ,AC,A K,AM, AX,AZ ,BB BD,BJ ,BQ,C F,CJ, CL,DB ,DC DE,DP ,DR, EB,ED ,FD,F F,FT FV,FX ,FZ,G K,GM, GP,GR ,GZ HB,HD ,JH-J L,J R-JU	1

78-31-14

 ILLUSTRATED PARTS LIST
 01.1 Page 1080J
 Jul 01/04

015T0438
 315T3001
 315T4726
 315T3055

 **BOEING**
 COMPONENT
 MAINTENANCE MANUAL

FIG. & ITEM	PART NO.	AIRLINE PART NUMBER	NOMENCLATURE	EFF CODE	QTY PER ASSY
15-195	BACR15BB5AD		1234567 .RIVET- (SIZE DETERMINE ON INST)	M,P,T ,AA,A J,AL, AW,AY ,BA BC,BF ,BM,B W,BY, CA,CS ,CU CW,DN ,DQ, EA,EC ,FC, FE,FS FU,FW ,FY,G J,GL, GN,GQ ,GW HA,J D-JG, JM-JQ	2

78-31-14

ILLUSTRATED PARTS LIST
 01.1 Page 1080K
 Jul 01/04

FIG. & ITEM	PART NO.	AIRLINE PART NUMBER	NOMENCLATURE	EFF CODE	QTY PER ASSY
15-200	315T3154-19		.CLIP	M,P,T ,AA,A J,AL, AW,AY ,BA BC,BF ,BM,B W,BY, CA,CS ,CU CW,DN ,DQ, EA,EC ,FC, FE,FS FU,FW ,FY,G J,GL, GN,GQ ,GW HA,J D-JG, JM-JQ	1
205	315T3154-5		.BRACKET ASSY	M,P,T ,AA,B W,CA, CS,CW ,DN DQ,EA ,EC, FC,FE ,FS,F U JD-JG ,JM-J Q	1
			ATTACHING PARTS		

78-31-14

 ILLUSTRATED PARTS LIST
 01.1 Page 1080L
 Jul 01/04

015T0438
 315T3001
 315T4726
 315T3055

BOEING
 COMPONENT
 MAINTENANCE MANUAL

FIG. & ITEM	PART NO.	AIRLINE PART NUMBER	NOMENCLATURE 1234567	EFF CODE	QTY PER ASSY
15-210	BACR15FT6KE		.RIVET- (SIZE DETERMINE ON INST)	M,P,T ,AA,B W,CA, CS,CW ,DN DQ,EA ,EC, FC,FE ,FS,F U JD-JG ,JM-J Q	9
215	BACR15BB5AD		-----*----- ..RIVET- (SIZE DETERMINE ON INST)	M,P,T ,AA,B W,CA, CS,CW ,DN DQ,EA ,EC, FC,FE ,FS,F U JD-JG ,JM-J Q	9
220	315T3633-102		..ANGLE-SPRT	M,P,T ,AA,B W,CA, CS,CW ,DN DQ,EA ,EC, FC,FE ,FS,F U JD-JG ,JM-J Q	1

78-31-14

ILLUSTRATED PARTS LIST
 01.1 Page 1080M
 Jul 01/04

FIG. & ITEM	PART NO.	AIRLINE PART NUMBER	NOMENCLATURE 1234567	EFF CODE	QTY PER ASSY
15-225	315T3633-67		..BRACKET	M,P,T ,AA,B W,CA, CS,CW ,DN DQ,EA ,EC, FC,FE ,FS,F U JD-JG ,JM-J Q	1
230	315T3154-7		..BRACKET	M,P,T ,AA,B W,CA, CS,CW ,DN DQ,EA ,EC, FC,FE ,FS,F U JD-JG ,JM-J Q	1
235	315T3154-8		..BRACKET	M,P,T ,AA,B W,CA, CS,CW ,DN DQ,EA ,EC, FC,FE ,FS,F U JD-JG ,JM-J Q	1

78-31-14

 ILLUSTRATED PARTS LIST
 01.1 Page 1080N
 Jul 01/04

015T0438
 315T3001
 315T4726
 315T3055

 **BOEING**
 COMPONENT
 MAINTENANCE MANUAL

FIG. & ITEM	PART NO.	AIRLINE PART NUMBER	NOMENCLATURE 1234567	EFF CODE	QTY PER ASSY
15-240	315T3154-6		.BRACKET ASSY	R,W,Y ,AC,C F,CL, DB,DC ,DP DR,EB ,ED, FD,FF ,FT,F V JH-JL ,JR-J U	1
245	BACR15FT6KE		ATTACHING PARTS .RIVET- (SIZE DETERMINE ON INST)	R,W,Y ,AC,C F,CL, DB,DC ,DP DR,EB ,ED, FD,FF ,FT,F V JH-JL ,JR-J U	9
250	BACR15BB5AD		-----*----- ..RIVET- (SIZE DETERMINE ON INST)	R,W,Y ,AC,C F,CL, DB,DC ,DP DR,EB ,ED, FD,FF ,FT,F V JH-JL ,JR-J U	10

78-31-14

ILLUSTRATED PARTS LIST
 01.1 Page 10800
 Jul 01/04

FIG. & ITEM	PART NO.	AIRLINE PART NUMBER	NOMENCLATURE 1234567	EFF CODE	QTY PER ASSY
15-255	315T3633-68		..BRACKET	R,W,Y ,AC,C F,CL, DB,DC ,DP DR,EB ,ED, FD,FF ,FT,F V JH-JL ,JR-J U	1
260	315T3154-9		..BRACKET	R,W,Y ,AC,C F,CL, DB,DC ,DP DR,EB ,ED, FD,FF ,FT,F V JH-JL ,JR-J U	1
265	315T3154-10		..BRACKET	R,W,Y ,AC,C F,CL, DB,DC ,DP DR,EB ,ED, FD,FF ,FT,F V JH-JL ,JR-J U	1

78-31-14

 ILLUSTRATED PARTS LIST
 01.1 Page 1080P
 Jul 01/04

015T0438
 315T3001
 315T4726
 315T3055

 **BOEING**
 COMPONENT
 MAINTENANCE MANUAL

FIG. & ITEM	PART NO.	AIRLINE PART NUMBER	NOMENCLATURE 1234567	EFF CODE	QTY PER ASSY
15-270	315T3154-31		.BRACKET ASSY	AJ-AM ,AW-B D,BF, BJ,BM ,BQ BY,CJ ,CU,D E,F W-FZ, GJ-GR GW,GZ ,HA, HB,HD	1
275	BACB30LK3-2		ATTACHING PARTS .BOLT	AJ-AM ,AW-B D,BF, BJ,BM ,BQ BY,CJ ,CU,D E,F W-FZ, GJ-GR GW,GZ ,HA, HB,HD	2
280	AN960KD10L		.WASHER	AJ-AM ,AW-B D,BF, BJ,BM ,BQ BY,CJ ,CU,D E,F W-FZ, GJ-GR GW,GZ ,HA, HB,HD	2

78-31-14

ILLUSTRATED PARTS LIST
 01.1 Page 1080Q
 Jul 01/04

FIG. & ITEM	PART NO.	AIRLINE PART NUMBER	NOMENCLATURE 1234567	EFF CODE	QTY PER ASSY
15-285	BACR15BA5AD		.RIVET- (SIZE DETERMINE ON INST)	AJ-AM ,AW-B D,BF, BJ,BM ,BQ BY,CJ ,CU,D E,F W-FZ, GJ-GR GW,GZ ,HA, HB,HD	4
290	315T3245-1		-----*----- ..RETAINER ASSY- DEACTIVATION PIN (PRE SB 767-78-0043)	AJ-AM ,AW-B D,BF, BJ,BM ,BQ BY,CJ ,CU,D E,F W-FZ, GJ-GR GW,GZ ,HA, HB,HD	1
295	MS21209F8-10		...INSERT	AJ-AM ,AW-B D,BF, BJ,BM ,BQ BY,CJ ,CU,D E,F W-FZ, GJ-GR GW,GZ ,HA, HB,HD	1

78-31-14

ILLUSTRATED PARTS LIST
01.1 Page 1080R
Jul 01/04

015T0438
 315T3001
 315T4726
 315T3055

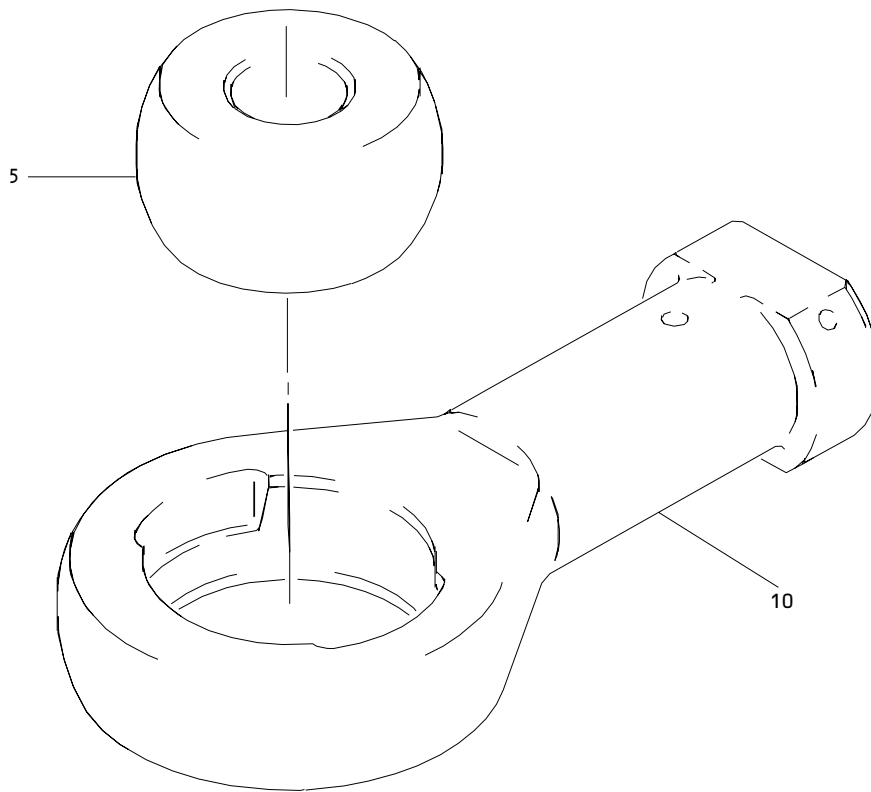
BOEING
 COMPONENT
 MAINTENANCE MANUAL

FIG. & ITEM	PART NO.	AIRLINE PART NUMBER	NOMENCLATURE 1234567	EFF CODE	QTY PER ASSY
15-300	315T3245-2		...RETAINER	AJ-AM ,AW-B D,BF, BJ,BM ,BQ BY,CJ ,CU,D E,F W-FZ, GJ-GR GW,GZ ,HA, HB,HD	1
305	315T3202-114		..ANGLE- (PRE SB 767-78-0043)	AJ-AM ,AW-B D,BF, BJ,BM ,BQ BY,CJ ,CU,D E,F W-FZ, GJ-GR GW,GZ ,HA, HB,HD	1
310	BAC27TTR0006		.MARKER-ALUMINUM FOIL- PIN STORAGE	AJ-AM ,AW-B D,BF, BJ,BM ,BQ BY,CJ ,CU,D E,F W-FZ, GJ-GR GW,GZ ,HA, HB,HD	1

- Item Not Illustrated

78-31-14

ILLUSTRATED PARTS LIST
 01.1 Page 1080S
 Jul 01/04



Rod End Assembly
Figure 80

78-31-14

ILLUSTRATED PARTS LIST
01.1 Page 1080T
Jul 01/04

015T0438
315T3001
315T4726
315T3055

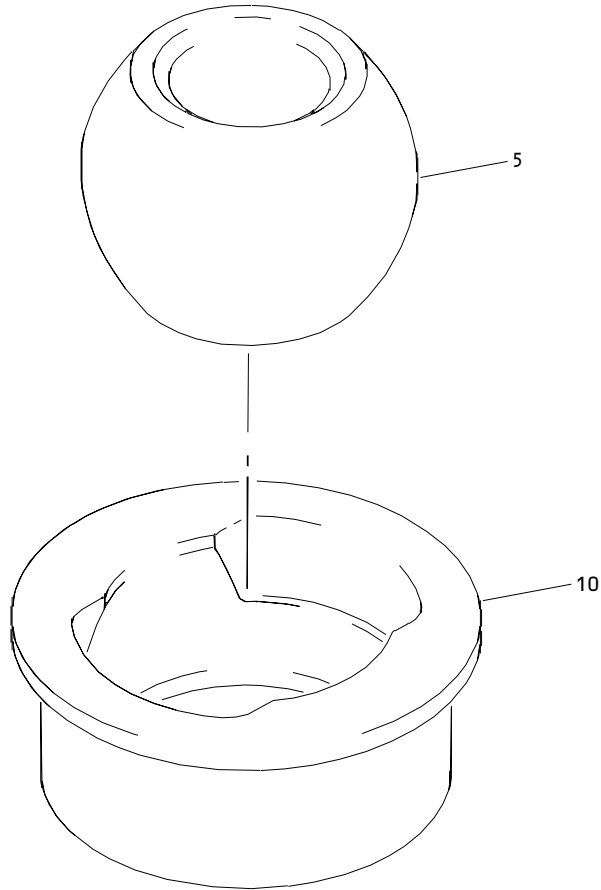
 **BOEING**
COMPONENT
MAINTENANCE MANUAL

FIG. & ITEM	PART NO.	AIRLINE PART NUMBER	NOMENCLATURE 1234567	EFF CODE	QTY PER ASSY
80- -1	VTA04560		ROD END ASSY- (V06710) (SPEC S302T001-304A)		RF
5	VTA04561		.BALL- (V06710)		1
10	VTA04563		.ROD END BODY- (V06710)		1

- Item Not Illustrated

78-31-14

ILLUSTRATED PARTS LIST
01.1 Page 1080U
Jul 01/04



Bearing Assembly
Figure 81

78-31-14

ILLUSTRATED PARTS LIST
01.1 Page 1080V
Jul 01/04

015T0438
 315T3001
 315T4726
 315T3055

 **BOEING**
 COMPONENT
 MAINTENANCE MANUAL

FIG. & ITEM	PART NO.	AIRLINE PART NUMBER	NOMENCLATURE 1234567	EFF CODE	QTY PER ASSY
81- -1	VTB04540		BEARING ASSY- (V06710) (SPEC S302T001-301A) (OPT USB4-136 (V02758)) (OPT P21620 (V57606))		RF
5	VTB04541		.BALL- (V06710) (SPEC S302T001-301B) (OPT P21621 (V57606))		1
10	VTB04542		.RACE- (V06710)		1

- Item Not Illustrated

78-31-14

ILLUSTRATED PARTS LIST
 01.1 Page 1080W
 Jul 01/04